

Marpac L.E.D. Advantage Portable Bow Lights



7-1313

7-1312

- LED Advantage means low power draw, batteries last longer than standard incandescent bulbs.
- Compact size takes up less space on deck.
- Easy to store.
- Great for boats less than 23' (7 meters) with a maximum speed of 7 knots (8 MPH).
- 7-1312 - Clamps vertically or horizontally for maximum flexibility.
- 7-1313 - One piece molded suction cup sticks and stays put.
- Requires (3) "AAA" Batteries. Not included.

Order No.	Description	Price
7-1312	Clamp-On Mount	\$24.98 G
7-1313	Suction Cup Mount	\$26.98 G

Marpac L.E.D. Advantage Portable All-Round Lights



7-1315

7-1316

- LED Advantage means low power draw, batteries last longer than standard incandescent bulbs.
- Compact size takes up less space on deck.
- Easy to store.
- Great for boats less than 23' (7 meters) with a maximum speed of 7 knots (8 MPH).
- Requires (3) "AAA" Batteries. Not included.

Order No.	Description	Price
7-1315	Clamp-On Mount	\$25.98 G
7-1316	Suction Cup Mount	\$27.98 G

Attwood Portable L.E.D. Navigation Light Kits



2350036

2350035

- Multiple mounting options, horizontal and vertical attachment.
- Durable and water resistant.
- Easy to remove for portable use and storage.
- Navigation kit includes: Red/green LED bow light, white LED stern light, quick release light mounts, pole, C-clamps and hardware.
- Requires (3) AAA batteries per light (not included).

Order No.	Mfg. No. / Description	Price
2350035	(14190-7) Gray	\$33.98 G
2350036	(14183-7) Camouflage	\$46.98 H

Boater Sports Clamp-On Stern Light



- Waterproof 360° all round light with 2 position aluminum clamp.
- 15 candle power bulb (2 mile visibility).
- Dimensions: Pole length is 24".
- Base is 1-3/8" wide 3-3/4" long.
- Uses (2) D-Cell batteries (Not Included).

Order No.	Mfg. No. / Description	Price
1-51278	(51278) Black Outer	\$21.95 M

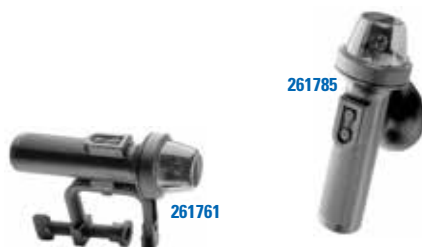
Boater Sports Clamp-On Bi-Color Bow Light



- Waterproof portable bow light with 2 positions, aluminum clamp.
- Reversible clamp for horizontal or vertical mounting.
- Uses (2) D-Cell batteries (Not Included).

Order No.	Mfg. No. / Description	Price
1-51279	(51279) Black Outer	\$15.95 M

Fulton 2 D-Cell Portable Bowlites



261785

261761

- 2 D-Cell Bowlites with red/green lens.
- U.V. stabilized mica-filled polypropylene plastic body.
- Easy-to-operate positive action slide switches.
- Must use Fulton #1 bulb to meet requirements.
- Diameter 2-1/2".

Order No.	Mfg. No. / Description	Price
261761	(51PWR-CL) C-Clamp Mount	\$27.98 I
261785	(53PWR-CL) Suction Cup Mount	\$26.98 LQ

Fulton 2 D-Cell Portable All-Round/Sternlite



- 2 D-Cell All-Round/Sternlites with clear-reflective lens.
- U.V. stabilized mica-filled polypropylene plastic body.
- Easy-to-operate positive action slide switches.
- Must use Fulton #1 bulb to meet requirements.
- Diameter 2-1/2".
- Pole height 25".

Order No.	Mfg. No. / Description	Price
261747	(48PWR-CL) C-Clamp Mount	\$27.98 I

- Fun & Flotation
- Anchor & Dock
- Safety
- Electronics
- Trolling Motors
- Lighting**
- Electrical
- Topside Acc.
- Cockpit & Deck
- Instruments
- Steering, Controls
- Perform.
- Fuel System
- Engine & Parts
- Engine Care
- Propellers
- Seating & Pedestals
- Tops & Covers
- Pumps
- Cleaning & Care
- Paint & Paint Acc.
- Hardware, Fasteners
- Trailering
- Misc.
- Comm.

Marpac L.E.D. Advantage Bow Light



- LED Advantage of low power use (2.2 watts), long life and shock resistant durability.
- Certified USCG 2nm, for use on boats under 39.4' (12 meters).
- Low profile mounts securely on almost any flat surface.
- Epoxy coated electronics encased in corrosion proof composite case protected by a tough Nichromium shell.
- The #8 pan head mounting screws (Not included) hidden from view for a clean, professional look.
- Meets the stringent requirements for USCG, ABYC A-16 and IMO COLREG.

Order No.	Description	Price
7-6598	LED Low Profile Bow Light	\$54.98 G

Marpac L.E.D. Advantage Bow Light



- Chrome plated zamack housing.
- LED Advantage of low power use, long life and shock resistant durability.
- For use on power or sail boats under 39.4'.
- 1 mile visibility.
- Length 2-3/4", width 2-1/2", height 1-3/8".

Order No.	Description	Price
7-0840	LED Low Profile Bow Light	\$27.98 H

Attwood L.E.D. Bow Light - Horizontal Deck Mount



- Stainless steel. Red/green lens.
- For use on boats up to 20 meters (65.6').
- 2 mile visibility.
- Proprietary optics design draws only 2.4 watts at 12 volts.
- LED technology keeps lights cool to the touch and is rated for 50,000+ hours of use.

Order No.	Mfg. No. / Description	Price
235665	(3540-7)	\$58.98 R

Boater Sports L.E.D. Bow Light Combination



- Stamped stainless steel cover with adapter plate and gasket. Stainless steel hardware.

Order No.	Mfg. No. / Description	Price
1-51164	(51164)	\$38.95 H

Perko Fig. 904 Bi-Color Light - Horizontal Mount



- Chrome plated brass top with black polymer base.
- 1 mile visibility.
- Certified for replacement use only on sail or power driven vessels under 12 meters in length.
- Vertical height 7/8", length 4-1/4", width 2-1/8".
- Uses #4 fasteners.
- #71 12 volt bulb included.

Order No.	Mfg. No. / Description	Price
543378	(0904 DPO CHR)	\$98.98 R

Perko Fig. 972 Bi-Color Light - Horizontal Mount



- Chrome plated brass top with black polymer base.
- 1 mile visibility.
- For use on sail or power driven vessels under 12 meters in length.
- Vertical height 7/8". OD base 2-3/8".
- Uses #4 fasteners.
- #71 12 volt bulb included.

Order No.	Mfg. No. / Description	Price
544115	(0972 DPO CHR)	\$64.98 R

Perko Fig. 1218 Bi-Color Light - Horizontal Mount



- Chrome plated zinc alloy with 3/4" ID flag staff socket.
- 1 mile visibility.
- Certified for replacement use only on power driven vessels under 12 meters in length.
- Vertical height 3-1/4".
- Base dimensions: 6" x 3-11/16".
- Uses #8 fasteners.
- #71 12 volt bulb included.

Order No.	Mfg. No. / Description	Price
533390	(1218 DPO CHR)	\$62.98 R

SPARE LENS SET - RED/GREEN

Order No.	Mfg. No. / Description	Price
536838	(0296 DPO LNS)	\$16.98 R

SPARE LENS SET - RED/GREEN

Order No.	Mfg. No. / Description	Price
536838	(0296 DPO LNS)	\$16.98 R

SPARE BULBS - 2 PER PACK

Order No.	Mfg. No. / Description	Price
541739	(0071 DPO CLR)	\$11.98 R

SPARE BULBS - 2 PER PACK

Order No.	Mfg. No. / Description	Price
541739	(0071 DPO CLR)	\$11.98 R

SPARE BULBS - 2 PER PACK

Order No.	Mfg. No. / Description	Price
541739	(0071 DPO CLR)	\$11.98 R

Perko Fig. 227 Bi-Color Light - Horizontal Mount



- Chrome plated zinc alloy top with black polymer base.
- Red and green lenses.
- Gold plated contacts.
- Certified for use on power driven vessels under 20 meters in length
- Length 3-1/4", width 2-5/16".
- Uses #8 fasteners.
- #71 12 volt bulb included.

Order No.	Mfg. No. / Description	Price
535417	(0227 DPO CHR)	\$44.98 R

SPARE BULBS - 2 PER PACK

Order No.	Mfg. No. / Description	Price
541739	(0071 DPO CLR)	\$11.98 R

Perko Fig. 1310 Bi-Color Light - Horizontal Mount



- Chrome plated zinc alloy top with black polymer base.
- 1 mile visibility.
- Certified for use on power driven vessels under 12 meters in length.
- Vertical height 1", length 4", width 3-1/8".
- Uses #8 fasteners.
- #71 12 volt bulb included.

Order No.	Mfg. No. / Description	Price
534380	(1310 DPO CHR)	\$40.98 R

SPARE BULBS - 2 PER PACK

Order No.	Mfg. No. / Description	Price
541739	(0071 DPO CLR)	\$11.98 R

Perko Fig. 252 Bi-Color Light - Horizontal Mount



- All black polymer.
- Gold plated contacts.
- 2 mile visibility.
- Certified for use on power driven vessels under 20 meters in length.
- Vertical height 13/16", length 3-1/2", width 2-1/4".
- Uses #8 fasteners.
- #71 12 volt bulb included.

Order No.	Mfg. No. / Description	Price
534378	(0252 BBO DP1)	\$36.98 R

SPARE BULBS - 2 PER PACK

Order No.	Mfg. No. / Description	Price
541739	(0071 DPO CLR)	\$11.98 R

- Fun & Flotation
- Anchor & Dock
- Safety
- Electronics
- Trolling Motors
- Lighting
- Electrical
- Topside Acc.
- Cockpit & Deck
- Instruments
- Steering, Controls
- Perform.
- Fuel System
- Engine & Parts
- Engine Care
- Propellers
- Seating & Pedestals
- Tops & Covers
- Pumps
- Cleaning & Care
- Paint & Paint Acc.
- Hardware, Fasteners
- Trailer
- Misc.
- Comm.

Marpac Combination Bow Light



- For use on vessels up to 65'.
- Visual indicator status light to verify light is on from control station.
- Meets USCG A-16 requirements.
- Requires (2) #6 fasteners. (Not included.)

Order No.	Description	Price
7-0060	12 volt, 10 watt	\$35.98 G

Marpac Combination Bow Light



- Chrome plated finish.
- For use on power boats under 39.4'.
- 1 mile visibility.
- #71 12 volt bulb included.
- 5 year warranty.
- Made in the USA.

Order No.	Description	Price
7-0375	Combination Bow Light	\$33.98 F
7-3930	Spare Bulbs, 2 Per Pack	\$4.08 G

Marpac Combination Bow Light



- For use on vessels up to 65'.
- Visual indicator status light to verify light is on from control station.
- Meets USCG A-16 requirements.
- Requires (2) #6 fasteners. (Not included.)

Order No.	Description	Price
7-0058	12 volt, 10 watt	\$21.98 G

Marpac Combination Bow Light



- Polished stainless steel.
- Diameter 2-3/8".
- 225° Visibility.
- #90 12 volt bulb included.
- Use Marpac order no's: **7-3936** or **7-7200** (LED) for bulb replacement.

Order No.	Description	Price
7-0080	Combination Bow Light	\$15.98 F
7-7200	360° LED Replacement Bulb	\$16.98 G
7-3936	Spare Bulbs, 2 Per Pack	\$3.34 G

Marpac Combination Bow Light



- For use on power boats under 39.4'.
- 1 mile visibility.
- Meets ABYC standard A-16.
- #90 12 volt bulb included.

Order No.	Description	Price
7-0841	Combination Bow Light	\$11.98 H
7-7200	360° LED Replacement Bulb	\$16.98 G
7-3936	Spare Bulbs, 2 Per Pack	\$3.34 G

Boater Sports Combination Bow Light



- Chrome plated zamak housing with red and green lens.
- 12 volts with a 15 candlepower bulb.
- Dimensions: 2-3/4" long x 2-1/2" wide x 1-3/8" high.

Order No.	Mfg. No. / Description	Price
1-51202	(51202)	\$13.95 H

Attwood Bi-Color Bow Light - Horizontal Deck Mount



- 316 stainless steel.
- Red/green lens.
- For use on boats up to 20 meters.
- 2 mile, 225° visibility.
- Height 1-1/2", length 3-3/8", width 2-7/16" (at base).
- Includes efficient, high-output 10 watt bayonet lamp.
- 12 volt.

Order No.	Mfg. No. / Description	Price
235413	(3810-7)	\$43.98 H

Attwood Bi-Color Bow Light - Horizontal Deck Mount



- 304 stainless steel.
- Red/green lens.
- 1 mile, 225° visibility.
- Three holes for #6 screws.
- For use on boats up to 12 meters.
- #90 12 volt bulb included.

Order No.	Mfg. No. / Description	Price
235401	(66318-7)	\$34.98 H

SPARE BULBS - 10 PER PACK

Order No.	Mfg. No. / Description	Price
219469	(181105)	\$1.72 I

Attwood Bi-Color Bow Light - Horizontal Deck Mount



- Die-cast zamak with perma-plate chrome finish.
- Red/green lens.
- 1 mile visibility.
- For use on boats up to 12 meters.
- Height 1-3/8", length 2-3/4", width 2-1/2" (at base).
- #90 12 volt bulb included.
- Two holes for #8 flat or oval head screws.

Order No.	Mfg. No. / Description	Price
235122	(6375D6)	\$25.98 H

SPARE BULBS - 10 PER PACK

Order No.	Mfg. No. / Description	Price
219469	(181105)	\$1.72 I

Attwood Quasar Bi-Color Deck Mount Bow Light



- All black.
- 2 mile visibility.
- For use on boats up to 20 meters.
- Smooth contour prevents lines from snagging on housing.
- Uses #10 fasteners.
- Dimensions: 3" L x 2-1/4" W x 1-7/8" H.
- Includes 8 watt festoon bulb.
- 12 volt.

Order No.	Mfg. No. / Description	Price
2351059	(3120-7)	\$25.98 H

Aqua Signal Deck Mount - Top or Bottom



- Certified USCG 2 mile visibility vessels up to 65'.
- Low power consumption (only 0.18 amps).
- Completely sealed and waterproof.
- EMC tested and certified.
- Rated up to 20,000 hours.

Order No.	Mfg. No. / Description	Price
207442	(33100-7) 1" H x 3" W.	\$89.98 G

Aqua Signal Series 20 Bi-Color Light - Deck Mount



- Rigid polycarbonate black, shock resistant, non-corrosive, non-magnetic, seawater resistant.
- 1 mile visibility.
- Red and green lens.
- Optics: (Fresnel) poly-carbonate, shock resistant.
- For use on power boats up to 12 meters.

Order No.	Mfg. No. / Description	Price
207086	(20100-7) 12 volt	\$35.98 G

Fun & Flotation

Anchor & Dock

Safety

Electronics

Trolling Motors

Lighting

Electrical

Topside Acc.

Cockpit & Deck

Instruments

Steering, Controls

Perform.

Fuel System

Engine & Parts

Engine Care

Propellers

Seating & Pedestals

Tops & Covers

Pumps

Cleaning & Care

Paint & Paint Acc.

Hardware, Fasteners

Trailering

Misc.

Comm.

Perko Fig. 1617 L.E.D. Removable Bi-Color Pole Light



- Stainless steel top with red and green lens.
- 3/4" diameter anodized aluminum tube.
- Stow-a-way plug-in type pole.
- 2 mile visibility.
- For use on power driven vessels under 20 meters in length.
- Pole length 12". Pole Rake: 0°.
- Locking collar.
- Requires 2-pin mounting base. Fits bases: **536384** (1045 P00 DP) & 1047 (2-pin).
- 12 volt.
- **Must order base separately**

Order No.	Mfg. No. / Description	Price
535135	(1617DP2BLK) Pole Only	\$162.98 R
536384	(1045 P00 DP) Base	\$29.98 H

Perko Fig. 1421 Removable Bi-Color Pole



- Black polymer top and collar with red and green lens.
- 3/4" diameter anodized aluminum tube.
- Deck illuminating utility light.
- Stow-a-way plug-in type pole.
- 2 mile visibility.
- For use on power driven vessels under 20 meters in length.
- Pole length: 12". Pole rake: 0°.
- Locking collar.
- Requires 3-pin mounting base. Fits bases: **536396** (1045 300 DP) & **536423** (1047 3B0 DP) 3-pin.
- #71 12 volt bulb included.

Order No.	Mfg. No. / Description	Price
5315081	(1421 DP2 CHR)	\$47.98 H

SPARE BULBS - 2 PER PACK

Order No.	Mfg. No. / Description	Price
541739	(0071 DPO CLR)	\$11.98 R

Boater Sports Chrome Plug-In Angled Bow Light



- Classic style zamac angled bow light.
- Stores easily and replaces most common bow lights.
- 1 mile, 225° visibility.
- Pole length 14".
- Fits most standard 2-pin light base.
- Packaged for display.

Order No.	Mfg. No. / Description	Price
1-51217	(51217)	\$28.99 H

Perko Removable Bi-Color Pole Lights



- Black polymer top and collar with red and green lens.
- 3/4" diameter anodized aluminum tube.
- Deck illuminating utility light.
- Stow-a-way plug-in type pole.
- 1 mile visibility.
- For use on sail or power driven vessels under 12 meters in length.
- Pole length 12-1/2". Locking collar.
- Requires 3 pin mounting base.
- #71 12 volt bulb included.

Order No.	Mfg. No. / Description	Price
535294	(1212 DP2 CHR) Pole Rake: 5°	\$54.98 R
533315	(1211 DP2 CHR) Pole Rake: 0°	\$55.98 R

SPARE BULBS - 2 PER PACK

Order No.	Mfg. No. / Description	Price
541739	(0071 DPO CLR)	\$11.98 R

Marpac Bi-Color Plug-In Bow Light



- For use on vessels up to 65'.
- Heavy duty plug-in base with positive locking cover.
- Length 12".
- 12 volt, 10 watt. 8" wire leads and bulb included.
- Meets USCG A-16 requirements.
- Requires (4) #6 fasteners (Not included).

Order No.	Description	Price
7-0055	Bow Light	\$33.98 F
7-0052	Composite Cover	\$15.98 G
7-0053	Stainless Steel Cover	\$32.98 F

Boater Sports Stowaway Bi-Color Bow Light



- Features convenient plug-ins that enable the light to be activated or removed quickly and easily.
- 1 mile, 225° visibility.
- Pole length 14".
- Anodized aluminum pole and nylon base with cap included.

Order No.	Mfg. No. / Description	Price
1-51216	(51216)	\$26.15 H

Perko Fig. 1612 Removable Bi-Color Pole Light



- Black polymer top and collar with red and green lens.
- 3/4" diameter anodized aluminum tube.
- 1 mile visibility.
- For use on sail or power driven vessels under 12 meters in length.
- Pole length: 12". Pole rake: 0°.
- Locking collar.
- Requires 2-pin mounting base. Fits bases: **536384** (1045 P00 DP) & 1047 (2-pin).
- #71 12 volt bulb included.
- **Must order base separately.**

Order No.	Mfg. No. / Description	Price
535133	(1612 DP2 BLK) Pole Only	\$31.98 R
536384	(1045 P00 DP) Base	\$29.98 H

SPARE BULBS - 2 PER PACK

Order No.	Mfg. No. / Description	Price
541739	(0071 DPO CLR)	\$11.98 R

Attwood Pulsar Bi-Color Stowaway Bow Light



- Anodized aluminum pole.
- Includes a Task Light.
- 10 times brighter than competition.
- Features a durable rubber "push-on" switch and a micro bulb.
- 1 mile, 225° red/green light visibility for boats up to 12 meters.
- Pole length: 10".
- Straight.
- Includes 8 watt wedge base lamp.

Order No.	Mfg. No. / Description	Price
2350202	(5095-10-1)	\$40.98 G

Boater Sports Tear Drop Bi-Color Bow Lights



- Plastic housing with aluminum pole.
- Quality die-cast zamac finish.
- Red and green light provides visibility for 1 mile.
- 225° visibility.
- Pole length 10".
- Packaged for display.

Order No.	Mfg. No. / Description	Price
1-51220	(51220) Angled	\$16.85 H
1-51221	(51221) Straight	\$17.99 H

Fun & Flotation

Anchor & Dock

Safety

Electronics

Trolling Motors

Lighting

Electrical

Topside Acc.

Cockpit & Deck

Instruments

Steering, Controls

Perform.

Fuel System

Engine & Parts

Engine Care

Propellers

Seating & Pedestals

Tops & Covers

Pumps

Cleaning & Care

Paint & Paint Acc.

Hardware, Fasteners

Trailer

Misc.

Comm.

Perko Fig. 1201 Tri-Color Light



- Black polymer and chrome plated zinc alloy top with black polymer base.
- Red and green bi-color - 1 mile visibility.
- White (stern) - 2 mile visibility.
- For use on vessels under sail alone under 12 meters in length.
- Vertical height 3-1/4". Base dimensions: 1" x 2-5/8".
- Uses #8 fasteners.
- Two #71 12 volt bulbs included.

Order No.	Mfg. No. / Description	Price
533280	(1201 DPO BLK)	\$67.98 R

SPARE BULBS - 2 PER PACK

Order No.	Mfg. No. / Description	Price
541739	(0071 DPO CLR)	\$11.98 R

Boater Sports L.E.D. Flexible Navigation Light Kit



- Perfect for the no nonsense boater that does not have time to play around with obsolete navigational lights.
- Fully sealed LED navigation lights feature an ultra low profile and flexible design which allows for installation in almost any situation.
- Includes all mounting hardware and heavy duty mounting track for a "from the factory" look after installation.

Order No.	Mfg. No. / Description	Price
1-52000	(52000)	\$14.95 H



Marpac L.E.D. Advantage Side Lights - Horizontal Mount



- LED Advantage of low power use (1.3W/red, .8W/green), long life and shock resistant durability.
- Certified USCG 2nm, for use on boats under 39.4' (12 meters).
- Epoxy coated electronics encased in corrosion proof composite case protected by a tough Nichromium shell.
- Uses #8 pan head mounting screws (Not included).
- Meets the stringent requirements for USCG, ABYC A-16 and IMO COLREG.
- 12 volt.

Order No.	Description	Price
7-6555	Sold Per Pair	\$70.98 G

Aqua Signal Series 33 L.E.D. Side Lights



- Black housing.
- Certified USCG for 2 mile visibility for vessels up to 65'.
- Low power consumption (only 0.18 amps).
- Completely sealed and waterproof.
- EMC tested and certified.
- Rated up to 20,000 hours.
- Dimensions: 2-3/4" L x 2" H x 1-3/4" D.

Order No.	Mfg. No. / Description	Price
207421	(33202-7) Green Side Light Only	\$60.98 G
207428	(33302-7) Red Side Light Only	\$60.98 G

Attwood L.E.D. Side Lights - Horizontal Deck Mount



- Stainless steel.
- Built-in "Tell Tale" indicators.
- Provide 225° light visibility.
- For use on boats up to 20 meters (65.6').
- 2 mile visibility.
- Proprietary optics design draws only 2.4 watts at 12 volts.
- Lights are completely sealed and are water tight.
- LED technology keeps lights cool to the touch and is rated for 50,000+ hours of use.

Order No.	Mfg. No. / Description	Price
235689	(3550R7) Red Side Light Only	\$50.98 R
235677	(3550G7) Green Side Light Only	\$50.98 R

Perko Fig. 915 Side Lights - Horizontal Mount



- Chrome plated brass top. Black polymer base.
- Red and green lens.
- 1 mile visibility.
- For replacement use only on sail or power driven vessels under 12 meters in length.
- Length 4-1/4", width 2-3/8", vertical height 7/8".
- Uses #4 fasteners.
- #71 12 volt bulbs included.
- Sold per pair.

Order No.	Mfg. No. / Description	Price
542480	(0915 DPO CHR)	\$157.98 R

SPARE LENS SET

Order No.	Mfg. No. / Description	Price
536737	(0281 DPA LNS)	\$17.98 R

SPARE BULBS - 2 PER PACK

Order No.	Mfg. No. / Description	Price
541739	(0071 DPO CLR)	\$11.98 R

Perko Fig. 963 Side Lights - Horizontal Mount



- Chrome plated brass top. Black polymer base.
- Red and green lens.
- 1 mile visibility.
- For use on sail or power driven vessels under 12 meters in length.
- Vertical height 7/8". Base OD 2-3/8".
- Uses #8 fasteners.
- #71 12 volt bulbs included.
- Sold per pair.

Order No.	Mfg. No. / Description	Price
543997	(0963 DPO CHR)	\$122.98 R

SPARE LENS SET

Order No.	Mfg. No. / Description	Price
536737	(0281 DPA LNS)	\$17.98 R

SPARE BULBS - 2 PER PACK

Order No.	Mfg. No. / Description	Price
541739	(0071 DPO CLR)	\$11.98 R

- Fun & Flotation
- Anchor & Dock
- Safety
- Electronics
- Trolling Motors
- Lighting**
- Electrical
- Topside Acc.
- Cockpit & Deck
- Instruments
- Steering, Controls
- Perform.
- Fuel System
- Engine & Parts
- Engine Care
- Propellers
- Seating & Pedestals
- Tops & Covers
- Pumps
- Cleaning & Care
- Paint & Paint Acc.
- Hardware, Fasteners
- Trailering
- Misc.
- Comm.

Perko Fig. 228 Side Lights - Horizontal Mount



- Chrome plated zinc alloy top with black polymer base.
- Red and green lens.
- 1 mile visibility.
- For use on power driven vessels under 20 meters in length.
- Vertical height: 5/8". Length: 3-1/4", width 2-5/16".
- Uses #8 fasteners.
- #71 12 volt bulbs included.
- Sold per pair.

Order No.	Mfg. No. / Description	Price
5315112	(0228 DP CHR)	\$83.98 H

SPARE BULBS - 2 PER PACK

Order No.	Mfg. No. / Description	Price
541739	(0071 DPO CLR)	\$11.98 R

Perko Fig. 1601 Side Lights - Horizontal Mount



- Black polymer.
- Red and green lens.
- Normal "Base-Down" mount.
- 1 mile visibility.
- For use on sail or power driven vessels under 12 meters in length.
- Vertical height 1-1/4", height overall 1-7/8". Base dimensions: 1-1/8" x 3".
- Uses #8 fasteners.
- #71 12 volt bulbs included.
- Sold per pair.

Order No.	Mfg. No. / Description	Price
542488	(1601 DPO BLK)	\$72.98 R

SPARE BULBS - 2 PER PACK

Order No.	Mfg. No. / Description	Price
541739	(0071 DPO CLR)	\$11.98 R

Attwood Side Lights - Horizontal Deck Mount



- 304 stainless steel.
- For use on boats up to 12 meters (39.4').
- 1 mile visibility.
- Height 1-1/2", length 2-1/2", width 2-1/4" (at base).
- Includes: One 8 watt lamp.
- Three holes for #6 screws.

Order No.	Mfg. No. / Description	Price
235427	(66319G7/R7) Side Light Kit - Sold Per Pair	\$72.98 R
235437	(66319G7) Green Side Light Only	\$36.98 Q
235449	(66319R7) Red Side Light Only	\$36.98 Q

Perko Fig. 253 Side Lights - Horizontal Mount



- Chrome plated bronze top with all white polymer.
- Red and green lens.
- 2 mile visibility.
- For use on power driven vessels under 20 meters in length.
- Vertical height 13/16", length 3-1/2", width 2-1/4".
- Uses #8 fasteners.
- #71 12 volt bulbs included.
- Sold per pair.

Order No.	Mfg. No. / Description	Price
542476	(0253 W00 DP1)	\$72.98 R

SPARE BULBS - 2 PER PACK

Order No.	Mfg. No. / Description	Price
541739	(0071 DPO CLR)	\$11.98 R

Marpac Side Lights - Horizontal Mount



- For use on vessels up to 65'.
- Visual indicator status light to verify light is on from control station.
- 12 volt, 10 watt. 8" wire leads for easier rigging.
- Meets USCG A-16 requirements.
- Requires (2) #6 fasteners per light (Not included).

Order No.	Description	Price
7-0059	Side Lights	\$44.98 G

Attwood Side Lights - Horizontal Deck Mount



- 316 stainless steel.
- For use on boats to 20 meters (65.6').
- 2 mile, 112.5° visibility.
- Height 1-1/2", length 3-3/8", width 2-7/16" (at base).
- Includes efficient, high-output 10 watt bayonet lamp.
- 12 volt.

Order No.	Mfg. No. / Description	Price
235241	(3820R7) Red Side Light Only	\$44.98 H
235242	(3820G7) Green Side Light Only	\$44.98 H

- Fun & Flotation
- Anchor & Dock
- Safety
- Electronics
- Trolling Motors
- Lighting
- Electrical
- Topside Acc.
- Cockpit & Deck
- Instruments
- Steering, Controls
- Perform.
- Fuel System
- Engine & Parts
- Engine Care
- Propellers
- Seating & Pedestals
- Tops & Covers
- Pumps
- Cleaning & Care
- Paint & Paint Acc.
- Hardware, Fasteners
- Trailer
- Misc.
- Comm.

Marpac L.E.D. Advantage Side Lights - Vertical Mount



- Attractive stainless steel composite housing.
- LED Advantage of low power use (only .9 watts), long life and shock resistant durability.
- Certified USCG 2nm, for use on boats under 39.4' (12 meters).
- Uses two #8 flat/oval head screws (Not included).
- Meets the stringent requirements for USCG, ABYC A-16 and IMO COLREG.
- 12 volt.
- Red/Green, sold per pair.

Order No.	Description	Price
7-6559	LED Side Lights	\$51.98 G

Perko Fig. 955 Side Lights - Vertical Mount



- Chrome plated brass top.
- Black polymer base.
- Red and green lens.
- 1 mile visibility.
- For use on sail or power driven vessels under 12 meters in length.
- Length 4-1/4", width 2-3/8", projection 5/8".
- Uses #4 fasteners.
- #71 12 volt bulbs included.
- Sold per pair.

Order No.	Mfg. No. / Description	Price
543947	(0955 DPO CHR)	\$110.98 R

SPARE LENS SET

Order No.	Mfg. No. / Description	Price
536361	(0260 DPO LNS)	\$15.98 R

SPARE BULBS - 2 PER PACK

Order No.	Mfg. No. / Description	Price
541739	(0071 DPO CLR)	\$11.98 R

Attwood Side Lights - Vertical Mount



- 316 stainless steel.
- Rugged stainless steel internal components for corrosion-free performance.
- Contoured shape.
- For use on boats to 20 meters (65.6').
- 2 mile, 112.5° visibility.
- Length 3-1/2", width 2-3/16" (at base).
- 12 volt.

Order No.	Mfg. No. / Description	Price
235237	(3838R7) Red Side Light Only	\$41.98 H
235239	(3838G7) Green Side Light Only	\$41.98 H

Boater Sports L.E.D. Side Lights - Vertical Mount



- Long lasting LED bulbs provide 1 mile visibility while remaining cool to the touch.
- Sealed and watertight.
- Sold per pair in clam pack.

Order No.	Mfg. No. / Description	Price
1-51215	(51215)	\$35.95 H

Perko Fig. 1264 Side Lights - Vertical Mount



- Chrome plated zinc alloy with black vinyl mounting gasket.
- Red and green lens.
- 1 mile visibility.
- For replacement use only on power driven vessels under 12 meters in length.
- Overall projection 1-3/4", length 5-1/2", width 3-1/8".
- Uses #8 fasteners.
- #71 12 volt bulbs included.
- Sold per pair.

Order No.	Mfg. No. / Description	Price
533895	(1264 DPO CHR)	\$83.98 R

SPARE BULBS - 2 PER PACK

Order No.	Mfg. No. / Description	Price
541739	(0071 DPO CLR)	\$11.98 R

Attwood Side Lights - Vertical Mount



- 304 stainless steel.
- For use on boats up to 12 meters (39.4').
- 1 mile, 112.5° visibility.
- Height 1-1/2", length 2-1/2", width 2-1/4" (at base).
- #90 12 volt bulb included.
- Installs with three #6 stainless steel screws, included.

Order No.	Mfg. No. / Description	Price
235244	(66314R7) Red Side Light Only	\$42.98 LQ
235245	(66314G7) Green Side Light Only	\$42.98 LQ
219469	(181105) Spare Bulbs, 10 Per Pack	\$1.72 I

Perko Fig. 602 L.E.D. Side Lights - Vertical Mount



- White epoxy coated bronze.
- Uses 10% of the energy draw of standard lights. Low heat. Long life.
- 2 mile visibility.
- For use on power driven vessels under 20 meters in length.
- Length 3-1/4", width 2", projection 1-1/8".
- Uses #8 fasteners.
- 12 volt.
- Sold per pair.

Order No.	Mfg. No. / Description	Price
544432	(0602 DP1 WHT)	\$201.98 R

Perko Fig. 254 Side Lights - Vertical Mount



- All black polymer.
- Red and green lens.
- 2 mile visibility.
- For use on power driven vessels under 20 meters in length.
- Length 3-1/2", width 2-1/4", projection 7/8".
- Uses #8 fasteners.
- #71 12 volt bulbs included.
- Sold per pair.

Order No.	Mfg. No. / Description	Price
536067	(0254 B00 DP1)	\$68.98 R

SPARE BULBS - 2 PER PACK

Order No.	Mfg. No. / Description	Price
541739	(0071 DPO CLR)	\$11.98 R

Aqua Signal Series 20 Side Lights



- Housing: Rigid polycarbonate black, shock resistant, non-corrosive, non-magnetic, seawater resistant.
- Optics: (Fresnel) polycarbonate, shock resistant.
- 1 mile visibility.
- For use on power boats up to 12 meters.
- 12 volt.

Order No.	Mfg. No. / Description	Price
207105	(20202-7) Starboard (Green)	\$31.98 R
207117	(20302-7) Port (Red)	\$29.98 G

- Fun & Flotation
- Anchor & Dock
- Safety
- Electronics
- Trolling Motors
- Lighting**
- Electrical
- Topside Acc.
- Cockpit & Deck
- Instruments
- Steering, Controls
- Perform.
- Fuel System
- Engine & Parts
- Engine Care
- Propellers
- Seating & Pedestals
- Tops & Covers
- Pumps
- Cleaning & Care
- Paint & Paint Acc.
- Hardware, Fasteners
- Trailering
- Misc.
- Comm.

Marpac Side Lights - Vertical Mount



- Polished stainless steel top.
- Red and green lens.
- 112-1/2° Visibility.
- 12 volt, 6 C.P. bulb included.
- Use Marpac order no's: **7-3936** or **7-7200** (LED) for bulb replacement.

Order No.	Description	Price
7-0079	Side Lights - Vertical Mount	\$27.98 G
7-7200	360° LED Replacement Bulb	\$16.98 G
7-3936	Spare Bulbs, 2 Per Pack	\$3.34 G

Marpac Side Lights - Vertical Mount



- Polished stainless steel.
- Red and green lens.
- 112-1/2° Visibility.
- Dimensions: 4" L x 2-1/4" W.
- #90 12 volt bulb included.
- Sold per pair.

Order No.	Description	Price
7-0111	Side Lights - Vertical Mount	\$31.98 G
7-7200	360° LED Replacement Bulb	\$16.98 G
7-3936	Spare Bulbs, 2 Per Pack	\$3.34 G

Marpac L.E.D. Advantage Side Lights - Flush Mount



- Stainless steel.
- LED Advantage of low power use, long life and shock resistant durability.
- Stainless steel housing.
- 112-1/2° Visibility.
- 7-3/4" L x 2-11/32" H.
- Meets the stringent requirements for USCG 2NM COLREG 2 MILE 12V A-16.
- Certified USCG 2nm, for use on boats under 39.4' (12 meters).
- 12 volt.

Order No.	Description	Price
7-6595	Side Lights - Flush Mount	\$72.98 G

Marpac L.E.D. Advantage Side Lights - Flush Mount



- Stainless steel with Matte Black finish.
- LED Advantage of low power use, long life and shock resistant durability.
- Stainless steel housing.
- 112-1/2° Visibility.
- 7-3/4" L x 2-11/32" H.
- Meets the stringent requirements for USCG 2NM COLREG 2 MILE 12V A-16.
- Certified USCG 2nm, for use on boats under 39.4' (12 meters).
- 12 volt.

Order No.	Description	Price
7-6596	Side Lights - Flush Mount	\$77.98 G

Marpac Side Lights - Flush Mount



- Stainless steel.
- Red and green lens.
- 112-1/2° Visibility.
- 7-3/4" L x 2-1/4" H.
- #90 12 volt bulb included.
- Sold per pair.

Order No.	Description	Price
7-0095	Side Lights - Flush Mount	\$46.98 G
7-9035	Spare Socket Assembly	\$10.98 Q
7-7200	360° LED Replacement Bulb	\$16.98 G
7-3936	Spare Bulbs, 2 Per Pack	\$3.34 G

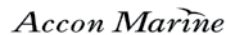
Boater Sports Side Lights - Flush Mount



- Stainless steel tear drop shaped housing.
- 8 candle power bulb.
- 7-3/4" length x 2-1/4".
- Sold per pair in clam pack.

Order No.	Mfg. No. / Description	Price
1-51236	(51236)	\$42.95 H

Accon Pop-Up® L.E.D. Lights



- Keeps deck free of protruding lights.
- Made of marine grade 316 stainless steel.
- Folds down flush when not in use.
- USCG Approved 2 nautical mile.
- Fastens with three #10 screws (not included).

Order No.	Mfg. No. / Description	Price
Special Order	(210-M) Bow Light	Call for Price
Special Order	(210-M-S) Bow Light, Stud Mount	Call for Price
Special Order	(210-M-C) Waterproofing Cup for 210-M	Call for Price
Special Order	(211-M) Bow Light, 204 Style	Call for Price
Special Order	(211-M-C) Waterproofing Cup for 211-M	Call for Price

Accon Pop-Up® Lights



- Keeps deck free of protruding lights.
- Made of marine grade 316 stainless steel.
- Folds down flush when not in use.
- USCG Approved 1 nautical mile.
- Each light is shipped with a backing plate which also serves as a cut-out template.
- Fastens with three #10 screws (not included).

Order No.	Mfg. No. / Description	Price
Special Order	(204-M) Bow Light	Call for Price
Special Order	(205-M) Port Light	Call for Price
Special Order	(206-M) Starboard Light	Call for Price
Special Order	(207-M) Side Light	Call for Price
Special Order	(204-M-C) Waterproofing Cup for 204-M	Call for Price
Special Order	(204-RGL) Replacement Lens for 204-M	Call for Price
Special Order	(204-B) Replacement Bulb	Call for Price
Special Order	(204-SOCKET) Replacement Socket	Call for Price
Special Order	(204-RK) Repair Kit	Call for Price

- Fun & Flotation
- Anchor & Dock
- Safety
- Electronics
- Trolling Motors
- Lighting
- Electrical
- Topside Acc.
- Cockpit & Deck
- Instruments
- Steering, Controls
- Perform.
- Fuel System
- Engine & Parts
- Engine Care
- Propellers
- Seating & Pedestals
- Tops & Covers
- Pumps
- Cleaning & Care
- Paint & Paint Acc.
- Hardware, Fasteners
- Trailer
- Misc.
- Comm.

Marpac Stern Light - Horizontal Mount



- Polished stainless steel top.
- Diameter 2-3/8".
- 135° Visibility.
- #90 12 volt bulbs included.
- Use Marpac order no's: **7-3936** or **7-7200** (LED) for bulb replacement.

Order No.	Description	Price
7-0081	Stainless Steel Stern Light	\$10.98 F
7-7200	360° LED Replacement Bulb	\$16.98 G

SPARE BULBS - 2 PER PACK

Order No.	Mfg. No. / Description	Price
7-3936	(181102-DON)	\$3.34 G

Perko Fig. 945 Stern Light - Vertical Mount



- Chrome plated brass top with black polymer base.
- Clear lens.
- 2 mile visibility.
- For replacement use only on sail or power driven vessels under 20 meters in length.
- Vertical height 7/8", base OD 2-3/8".
- Uses #4 fasteners.
- #71 12 volt bulb included.

Order No.	Mfg. No. / Description	Price
543769	(0945 DPO CHR)	\$63.98 R

SPARE BULBS - 2 PER PACK

Order No.	Mfg. No. / Description	Price
541739	(0071 DPO CLR)	\$11.98 R

Marpac Transom Light - Round



- Polished stainless steel.
- Clear lens.
- 2 mile visibility.
- Diameter 3-1/8", depth 1-3/4".
- Supplied with rubber mounting gasket.
- 12 volt, 15 watt.

Order No.	Description	Price
7-0577	Transom Light - Round	\$7.98 H

SPARE BULBS

Order No.	Mfg. No. / Description	Price
7-4010	Spare Bulbs	\$3.85 G

Perko Fig. 965 Stern Light - Horizontal Mount



- Chrome plated brass top.
- Black polymer base.
- Clear lens.
- 2 mile visibility.
- For use on sail or power driven vessels under 20 meters in length.
- Vertical height 7/8", base OD 2-3/8".
- Uses #4 fasteners.
- #71 12 volt bulb included.

Order No.	Mfg. No. / Description	Price
544038	(0965 DPO CHR)	\$59.98 R

SPARE BULBS - 2 PER PACK

Order No.	Mfg. No. / Description	Price
541739	(0071 DPO CLR)	\$11.98 R

Marpac L.E.D. Advantage Transom Light



- LED Advantage of low power use (only 1.2 watts), long life and shock resistant durability.
- Marine grade stainless steel housing.
- Meets the stringent requirements for USCG, ABYC A-16 and IMO COLREG.
- Certified USCG 2nm, for use on boats under 65.5' (20 meters).
- Uses two #8 flat/oval head screws (Not included).
- 12 volt.

Order No.	Description	Price
7-6577	Round	\$37.98 G

Boater Sports Transom Light



- Round, stainless steel.
- Waterproof construction, with two gaskets.
- One seals light to the hull, the other seals the lens.
- Stainless steel fasteners included.
- Diameter 2-15/16".

Order No.	Mfg. No. / Description	Price
1-51240	(51240)	\$10.95 H

Perko Fig. 1332 Stern Light - Vertical Mount



- Chrome plated zinc alloy top with black polymer base.
- Clear lens.
- 2 mile visibility.
- Certified for replacement use only on sail or power driven vessels under 20 meters in length.
- Length 3-3/4", width 1-1/2".
- Uses #4 fasteners.
- #71 12 volt bulb included.

Order No.	Mfg. No. / Description	Price
534608	(1332 DPO CHR)	\$60.98 R

SPARE BULBS - 2 PER PACK

Order No.	Mfg. No. / Description	Price
541739	(0071 DPO CLR)	\$11.98 R

Perko Fig. 946 Stern Light - Vertical Flush Mount



- Chrome plated brass bezel with black plastic base.
- Clear lens.
- 2 mile visibility.
- OD 3", depth 1".
- Uses #8 fasteners.
- For use on sail or power driven vessels under 20 meters in length.
- #70 12 volt bulb included.

Order No.	Mfg. No. / Description	Price
543771	(0946 DP1 12V)	\$71.98 R

SPARE BULBS - 2 PER PACK

Order No.	Mfg. No. / Description	Price
541626	(0070 DPO CLR)	\$12.98 R

Attwood Transom Light - Vertical Flush Mount



- 304 stainless steel with a plastic body and watertight lamp socket.
- 2 mile, 135° visibility.
- Diameter 3".
- Installation hole size: 2" diameter.
- For power boats and sailing vessels up to 50 meters (164').
- #90 12 volt bulb included.
- Includes two stainless steel #8 screws.

Order No.	Mfg. No. / Description	Price
235235	(6356D7)	\$20.98 H

SPARE BULBS - 10 PER PACK

Order No.	Mfg. No. / Description	Price
219469	(181105)	\$1.72 I

SPARE BULBS - 2 PER PACK

Order No.	Mfg. No. / Description	Price
7-3936	(181102-DON)	\$3.34 G

- Fun & Flotation
- Anchor & Dock
- Safety
- Electronics
- Trolling Motors
- Lighting
- Electrical
- Topside Acc.
- Cockpit & Deck
- Instruments
- Steering, Controls
- Perform.
- Fuel System
- Engine & Parts
- Engine Care
- Propellers
- Seating & Pedestals
- Tops & Covers
- Pumps
- Cleaning & Care
- Paint & Paint Acc.
- Hardware, Fasteners
- Trailering
- Misc.
- Comm.

Marpac L.E.D. Advantage Transom Light



- LED Advantage of low power use (only 1.2 watts), long life and shock resistant durability.
- Marine grade stainless steel housing.
- Meets the stringent requirements for USCG, ABYC A-16 and IMO COLREG.
- Certified USCG 2nm, for use on boats under 65.5' (20 meters).
- Uses two #8 flat/oval head screws (Not included).
- 12 volt.

Order No.	Description	Price
7-6561	Rectangular	\$40.98 G

Aqua Signal Series 33 L.E.D. Stern Transom Mount



- Black housing.
- Low power consumption (only 0.18 amps).
- Completely sealed and waterproof.
- Certified USCG for 2 mile visibility for vessels up to 65'.
- EMC tested and certified.
- Rated up to 20,000 hours.
- Dimensions: 2-3/4" L x 2" H x 1-3/4" D.

Order No.	Mfg. No. / Description	Price
207435	(33502-7)	\$80.98 Q

Aqua Signal Series 20 Stern Lights



207079

- Clear all-round light.
- Housing: Rigid polycarbonate black, shock resistant, non-corrosive, non-magnetic, seawater resistant.
- Durable fiberglass pole.
- 2 mile visibility.
- 12 volt.
- Optics: (Fresnel) polycarbonate, shock resistant.
- For use on power boats up to 12 meters.

Order No.	Mfg. No. / Description	Price
207079	(20040-7) Pedestal, Height 4"	\$29.98 R
207080	(20080-7) Pedestal, Height 8"	\$39.98 R

Marpac Transom Light - Rectangular



- Polished stainless steel.
- Clear lens.
- Dimensions: 5-1/16" x 3-1/16".
- Uses #10 fasteners.
- 12 volt, 6 C.P. bulb included.

Order No.	Description	Price
7-0861	Transom Light - Rectangular	\$9.98 G

SPARE BULBS

Order No.	Mfg. No. / Description	Price
7-4010	Spare Bulbs	\$3.85 G

Perko Fig. 964 Masthead Light - Horizontal Mount



- Chrome plated brass top with black plastic base.
- 2 mile visibility.
- For replacement use only on sail or power driven vessels under 12 meters in length.
- Base OD 2-3/8", height 7/8".
- Uses #4 fasteners.
- #71 12 volt bulb included.

Order No.	Mfg. No. / Description	Price
544014	(0964 DPO CHR)	\$62.98 R

SPARE BULBS - 2 PER PACK

Order No.	Mfg. No. / Description	Price
541739	(0071 DPO CLR)	\$11.98 R

Aqua Signal Series 22 Stern Light



- Clear all-round light.
- Housing: Rigid polycarbonate black with aluminum poles.
- Optics: Polycarbonate and stainless steel cap.
- 2 mile visibility.
- For use on power boats up to 12 meters.
- 12 volt.

Order No.	Mfg. No. / Description	Price
207042	(22246-7) Length 24"	\$25.98 G

Perko Fig. 939 Stern Light - Vertical Flush Mount



- Chrome plated brass top with black plastic base.
- Clear lens. 2 mile visibility.
- For use on sail or power driven vessels under 20 meters in length.
- Dimensions: 5-3/16" x 3-3/8". Depth 1-1/2".
- Uses #8 fasteners.
- #70 12 volt bulb included.

Order No.	Mfg. No. / Description	Price
543694	(0939 DP1 12V)	\$144.98 R
536776	(0284 DPO CLR) Spare Lens Set	\$10.98 R

SPARE BULBS - 2 PER PACK

Order No.	Mfg. No. / Description	Price
541626	(0070 DPO CLR)	\$12.98 R

Perko Fig. 1331 Masthead Light - Vertical Mount



- Chrome plated zinc alloy top with black plastic base.
- 3 mile visibility.
- For use on sail or power driven vessels under 20 meters in length.
- Length 3-1/4", width 1-1/2".
- Uses #4 fasteners.
- #71 12 volt bulb included.

Order No.	Mfg. No. / Description	Price
534619	(1331 DPO CHR)	\$60.98 R

SPARE BULBS - 2 PER PACK

Order No.	Mfg. No. / Description	Price
541739	(0071 DPO CLR)	\$11.98 R

Marpac Plug-In All-Round Light



- Made for vessels up to 65 ft.
- Heavy duty plug-in base with positive locking cover.
- Length 24".
- 12 volt, 10 watt.
- Meets USCG A-16 requirements.
- 8" wire leads and bulb included.
- Requires (4) #6 fasteners (Not included).

Order No.	Description	Price
7-0050	All-Round Light	\$32.98 F
7-0051	Replacement Pole	\$25.98 F
7-0052	Composite Cover	\$15.98 G
7-0053	Stainless Steel Cover	\$32.98 F

Marpac Masthead All-Round Light



- Polished stainless steel top. Diameter 2-3/8". 360° Visibility.
- Use Marpac order no's: **7-3936** or **7-7200** (LED) for bulb replacement.

Order No.	Description	Price
7-0101	Masthead All-Round Light	\$11.98 G
7-7200	360° LED Replacement Bulb	\$16.98 G
7-3936	Spare Bulbs, 2 Per Pack	\$3.34 G

Fun & Flotation

Anchor & Dock

Safety

Electronics

Trolling Motors

Lighting

Electrical

Topside Acc.

Cockpit & Deck

Instruments

Steering, Controls

Perform.

Fuel System

Engine & Parts

Engine Care

Propellers

Seating & Pedestals

Tops & Covers

Pumps

Cleaning & Care

Paint & Paint Acc.

Hardware, Fasteners

Trailer

Misc.

Comm.

Marpac L.E.D. Advantage Folding All-Round Light



- 7" horizontal folding light.
- Tough marine grade aluminum for base and pole.
- LED Advantage of low power use (only 1 watt), long life and shock resistant durability.
- Meets the stringent requirements for USCG, ABYC A-16 and IMO COLREG.
- Certified USCG 2nm, for use on boats under 39.4' (12 meters).
- Excellent for use on pontoon boats, hard tops and radar arches.
- 12 volt.

Order No.	Description	Price
7-6551	Length 7"	\$44.98 G

Perko Fig. 1634 Fold-Down All-Round Lights



- Black polymer top with clear fluted lens and frosted globe.
- Black polymer base.
- Fold-down, adjustable angle.
- Reduced glare design.
- 3/4" diameter anodized aluminum tube.
- Vertical height: 13-3/8".
- Uses #8 fasteners.
- 12 volt bulb included.
- Polymer adapter available for flat or "V" type mounts, contains notch for through-base wiring.

HORIZONTAL FOLD - BASE 2" x 1-1/2"		
Order No.	Mfg. No. / Description	Price
5315105	(1634 DP CHR)	\$43.98 H

VERTICAL FOLD - BASE 2-1/4" x 5/8"		
Order No.	Mfg. No. / Description	Price
5315106	(1637 DP CHR)	\$40.98 H

Boater Sports Fold-Down Anchor/Stern Light



- All-round folding anchor/stern light.
- Adjusts to any angle with thumb screw.
- Anodized tube non-corrosive and water tight.
- Length 10-1/2".
- Provides 2 mile 360° visibility.

Order No.	Mfg. No. / Description	Price
1-51260	(51260)	\$31.95 H

Boater Sports L.E.D. Fold-Down All-Round Light



- The best fold down all-round navigation light on the market, period.
- Fully sealed LED technology and S.S. mast mean you will be focused on enjoying your nightly cruise instead of worrying about navigation lighting.
- 10-1/2" navigation light conveniently folds down with the heavy duty thumb screw for an easy storage solution.
- USCG approved with 2 Nautical Mile Visibility rating.

Order No.	Mfg. No. / Description	Price
1-51598	(51598)	\$33.95 H

Perko Fold-Down White All-Round Lights



- White translucent globe with black polymer top and base.
- Fold-down, adjustable angle.
- 3/4" diameter anodized aluminum tube.
- Vertical height 14".
- Uses #8 fasteners.
- 12 volt bulb included.
- 2 mile visibility.
- For use on sail or power driven vessels under 20 meters in length.

HORIZONTAL MOUNT BASE 2" X 1-1/2"		
Order No.	Mfg. No. / Description	Price
532223	(1134 DPO CHR)	\$43.98 R
531645	(1052 DPO CHR) Spare Bracket	\$26.98 R

VERTICAL MOUNT BASE 2-1/4" X 5/8"		
Order No.	Mfg. No. / Description	Price
532247	(1137 DPO CHR)	\$41.98 R

SPARE GLOBE		
Order No.	Mfg. No. / Description	Price
535611	(0201 DPO WHT)	\$12.98 R

Boater Sports Fold-Down Anchor/Stern Light



- All-round folding dual mount anchor/stern light.
- Adjusts to any angle with thumb screw.
- Anodized tube non-corrosive and water tight.
- Length 10-3/4".
- Provides 2 mile 360° visibility.
- Includes angled windshield base.

Order No.	Mfg. No. / Description	Price
1-51264	(51264)	\$24.75 H

- Fun & Flotation
- Anchor & Dock
- Safety
- Electronics
- Trolling Motors
- Lighting**
- Electrical
- Topside Acc.
- Cockpit & Deck
- Instruments
- Steering, Controls
- Perform.
- Fuel System
- Engine & Parts
- Engine Care
- Propellers
- Seating & Pedestals
- Tops & Covers
- Pumps
- Cleaning & Care
- Paint & Paint Acc.
- Hardware, Fasteners
- Trailering
- Misc.
- Comm.

Attwood Anchor/Masthead Light



- Materials are non-corrosive, including bases of glass-filled polymer and poles of highly anodized aluminum
- 3 mile, 360° visibility.
- For use on boats up to 20 meters.
- Big cam-lock handle is easy to grasp.
- Cam-lock base installs with two #10 fasteners (not included).
- Once locked, stays locked in normal conditions.
- Comes with both horizontal and vertical mounts.
- Each light includes 9-watt wedge base lamp.
- All wiring is concealed and protected within the pivoting base.
- 12 volt.

Order No.	Mfg. No. / Description	Price
235510	(7202-7) Length 20"	\$64.98 R

Attwood Fold-Down All-Round Light



- Anti-glare head.
- Bases are glass-filled polymer and poles of sturdy black plastic.
- Fold-down bases allow light to swing 180°.
- 2 mile, 360° visibility.
- For use on boats up to 12 meters.
- Big cam-lock handle is easy to grasp.
- Cam-lock adjustment.
- With vertical and horizontal mounts.
- All wiring is concealed and protected within the pivoting base.

Order No.	Mfg. No. / Description	Price
235326	(5358-12-7) Length 12"	\$37.98 H
235806	(912852-7) Spare Globe	\$4.99 G
S/O	(9235-7) Spare Bulb	POR

Attwood All-Round Fold-Down Lights



- Fold-down bases allow light to swing 180°.
- Length 12".
- Materials are non-corrosive.
- Big cam-lock, handle is easy to grasp.
- 2 mile, 360° visibility.
- For use on boats up to 12 meters.
- Bases are glass-filled polymer and poles are highly anodized aluminum.

Order No.	Mfg. No. / Description	Price
2350203	(5121-12-1) Vertical Mount	\$32.98 H
235474	(5123-12-7) Vertical and Horizontal Mounts	\$42.98 R
235805	(91017B7) Spare Globe	\$5.98 R
S/O	(9235-7) Spare Bulb	POR

Marpac L.E.D. Advantage Fixed All-Round Lights



- Tough marine grade aluminum for base and pole.
- LED Advantage of low power use (only 1 watt), long life and shock resistant durability.
- Meets the stringent requirements for USCG, ABYC A-16 and IMO COLREG.
- Certified USCG 2nm, for use on boats under 39.4' (12 meters).
- Excellent for use on pontoon boats, hard tops and radar arches.
- Uses two #8 flat/oval head screws (Not included).
- 12 volt.

Order No.	Description	Price
7-6550	Length 4"	\$41.98 G
7-6552	Length 7"	\$44.98 G

Boater Sports L.E.D. Fixed All-Round Light



- Amazing all-round navigation light in a super compact package.
- Featuring fully sealed LED construction and S.S. mast light is guaranteed to perform season after season.
- Small compact size lends itself to installation in hard to reach compact areas where other navigation lights falter.
- USCG approved with 2 Nautical Mile visibility rating.

Order No.	Mfg. No. / Description	Price
1-51599	(51599)	\$29.95 H

Perko Fig. 1345 L.E.D. White All-Round Light



- White polymer top with clear fluted lens and frosted globe.
- White plastic base.
- Fixed mount.
- Reduce glare design.
- 3/4" diameter anodized aluminum tube.
- Vertical height 7-1/8".
- Base dimensions: 1" x 2-5/8".
- Uses #8 fasteners.
- For use on power driven vessels under 20 meters in length.
- 12 volt LED.

Order No.	Mfg. No. / Description	Price
544507	(1345 DP1 WHT)	\$130.98 R

- Fun & Flotation
- Anchor & Dock
- Safety
- Electronics
- Trolling Motors
- Lighting
- Electrical
- Topside Acc.
- Cockpit & Deck
- Instruments
- Steering, Controls
- Perform.
- Fuel System
- Engine & Parts
- Engine Care
- Propellers
- Seating & Pedestals
- Tops & Covers
- Pumps
- Cleaning & Care
- Paint & Paint Acc.
- Hardware, Fasteners
- Trailer
- Misc.
- Comm.

Perko Fig. 1604 White All-Round Light



- Black polymer top with clear fluted lens and frosted globe.
- Black polymer base.
- Fixed mount.
- Reduced glare design.
- 3/4" diameter anodized aluminum tube.
- Vertical height 7-1/8".
- Base dimensions: 1" x 2-5/8".
- Uses #8 fasteners.
- For use on power driven vessels under 20 meters in length.
- 12 volt bulb included.

Order No.	Mfg. No. / Description	Price
5315098	(1604 DP CHR)	\$21.98 H

Perko Fig. 1301 White All-Round Light



- White translucent globe and black polymer top.
- Black polymer base.
- Fixed mount.
- 2 miles visibility.
- For use on sail or power driven vessels under 20 meters in length.
- Length 7-1/8".
- Base dimensions: 1" x 2-5/8".
- Uses #8 fasteners.
- 12 volt bulb included.

Order No.	Mfg. No. / Description	Price
5315064	(1301 DP CHR)	\$21.98 H
535611	(0201 DPO WHT) Spare Globe	\$12.98 R

Boater Sports Fixed Base All-Round Pole Light



- Great for pontoon boats.
- Anodized aluminum pole and sturdy plastic base for corrosion resistance.
- 2 mile visibility.
- For use on power boats under 39.4'.
- Frosted, screw-on globe.

Order No.	Mfg. No. / Description	Price
1-51261	(51261)	\$15.99 H
1-51258	(51258) Replacement Globe	\$2.85 H

Perko Fig. 455 White All-Round Lights



- Black polymer base with clear fresnel globe.
- Fixed mount.
- 3/4" diameter anodized aluminum tube.
- Base OD 2-1/8".
- Uses #8 fasteners.
- 2 mile visibility.
- For use on power driven vessels under 20 meters in length.
- 12 volt bulb included.

Order No.	Mfg. No. / Description	Price
538631	(0455 DP1 CHR) Height 4-1/2"	\$57.98 R
538643	(0455 DP2 CHR) Height 11-7/8"	\$68.98 R
536031	(0248 DPO CLR) Spare Globe	\$13.98 R

Perko Fig. 170 White All-Round Light



- White translucent globe and black polymer top.
- Black polymer base.
- Fixed mount.
- 2 miles visibility.
- For use on sail or power driven vessels under 20 meters in length.
- Vertical height 3-7/8".
- Base dimensions: 1" x 2-5/8".
- Uses #8 fasteners.
- 12 volt bulb included.

Order No.	Mfg. No. / Description	Price
533274	(0170 SWB DP1)	\$27.98 R
535611	(0201 DPO WHT) Spare Globe	\$12.98 R

Attwood Fixed Base All-Round Pole Light



- Fixed base all-round light.
- For use on pontoons, hard tops and radar arches.
- Globe style.
- Base dimensions are 2-1/2" long x 1" wide.
- Installs with two required #10 fasteners.
- 2 mile, 360° visibility.
- For use on boats up to 12 meters.
- Includes 9-watt wedge base lamp.

Order No.	Mfg. No. / Description	Price
235502	(5122-08-7) Length 8"	\$26.98 H
235805	(91017B7) Spare Globe	\$5.98 R
S/O	(9235-7) Spare Bulb	POR

Fun & Flotation

Anchor & Dock

Safety

Electronics

Trolling Motors

Lighting

Electrical

Topside Acc.

Cockpit & Deck

Instruments

Steering, Controls

Perform.

Fuel System

Engine & Parts

Engine Care

Propellers

Seating & Pedestals

Tops & Covers

Pumps

Cleaning & Care

Paint & Paint Acc.

Hardware, Fasteners

Trailer

Misc.

Comm.

Perko Combination Masthead/White All-Round Lights



532983



533188



533202

- Black polymer top and base.
- Reduced glare design. Clear polymer lens.
- Fixed mount.
- 3/4" diameter anodized aluminum tube.
- 2 mile visibility.

- For use on power driven vessels under 20 meters in length.
- Base dimensions: 1" x 2-5/8".
- Uses #8 fasteners.
- (2) 12 volt bulbs included.

Order No.	Mfg. No. / Description	Price
532983	(1283 DPO BLK) Height 2-1/4"	\$45.98 R
533188	(1236 DP1 BLK) Height 4-1/4"	\$48.98 R
533202	(1236 DP2 BLK) Height 10-1/2"	\$54.98 R

Perko Combination Masthead/White All-Round Light



- Black polymer top and base.
- Reduced glare design.
- Clear polymer lens.
- Fold-down, adjustable angle.
- Folding horizontal mount.
- For use on power driven vessels under 20 meters in length.
- Height 12-13/16".
- Base dimensions: 2" x 1-1/2".
- Uses #8 fasteners.
- 3/4" diameter anodized aluminum tube.
- (2) #71 12 volt bulbs included.

Order No.	Mfg. No. / Description	Price
5315042	(1181 DP CHR)	\$67.98 H
531640	(1052 DPA CHR) Spare Bracket	\$25.98 R

SPARE BULBS - 2 PER PACK		
Order No.	Mfg. No. / Description	Price
541739	(0071 DPO CLR)	\$11.98 R

Perko Combination Masthead/White All-Round Light



- Black polymer top and base.
- Reduced glare design.
- Clear polymer lens.
- Fold-down, adjustable angle.
- Horizontal mount.
- 2 mile visibility.
- For use on power driven vessels under 12 meters in length.
- Height 12-3/16".
- Base dimensions: 2" x 1-1/2".
- Uses #8 fasteners.
- 3/4" diameter anodized aluminum tube.
- (2) #71 12 volt bulbs included.

Order No.	Mfg. No. / Description	Price
532967	(1281 DPO CHR)	\$60.98 R
531640	(1052 DPA CHR) Spare Bracket	\$25.98 R

SPARE BULBS - 2 PER PACK		
Order No.	Mfg. No. / Description	Price
541739	(0071 DPO CLR)	\$11.98 R

Perko Combination Masthead/White All-Round Light



- Black polymer top and base.
- Reduced glare design.
- Clear polymer lens.
- Fold-down, adjustable angle.
- Vertical mount.
- 3/4" diameter anodized aluminum tube.
- 2 mile visibility.
- For use on power driven vessels under 12 meters in length.
- Height 12-3/16".
- Base dimensions: 2-1/4" x 5/8".
- Uses #8 fasteners.
- (2) #71 12 volt bulbs included.

Order No.	Mfg. No. / Description	Price
532995	(1284 DPO CHR)	\$63.98 R

SPARE BULBS - 2 PER PACK		
Order No.	Mfg. No. / Description	Price
541739	(0071 DPO CLR)	\$11.98 R

Lighting

Electrical

Topside Acc.

Cockpit & Deck

Instruments

Steering, Controls

Perform.

Fuel System

Engine & Parts

Engine Care

Propellers

Seating & Pedestals

Tops & Covers

Pumps

Cleaning & Care

Paint & Paint Acc.

Hardware, Fasteners

Trailer

Misc.

Comm.

Perko Stealth Series L.E.D. White All-Round Lights



- Stow-a-way plug-in pole.
- Black polymer top and collars.
- The "Reduced Glare" light, this design helps preserve night vision.
- Clear fluted lens.
- Pole rake: 0°.
- 3/4" diameter anodized aluminum tube.
- Locking collar.
- Fits bases: 1045 and 1047 (2 pin).
- For use on power driven vessels under 20 meters in length.
- 12 volt LED.

Order No.	Mfg. No. / Description	Price
5315085	(1442 002 CHR) Length 24"	\$95.98 R
5315086	(1442 003 CHR) Length 30"	\$90.98 R
544055	(1442004CHR) Length 36"	\$95.98 R
544060	(1442005CHR) Length 42"	\$98.98 R
544065	(1442007CHR) Length 54"	\$103.98 R

Perko Delta Series Universal Repl. All-Round Lights



- Black polymer top. Clear fluted lens.
- Stow-a-way plug-in pole.
- 3/4" diameter anodized aluminum tube.
- Package includes: (2) Globes (reduced glare and full output) and (2) Collars (threaded and locking).
- Wide 40° adjustable head.
- 2 screw positions.
- 2 mile visibility.
- For use on power driven vessels under 20 meters in length.
- 12 volt bulb.

Order No.	Mfg. No. / Description	Price
5315091	(1470 DP4 CHR) Length 36"	\$46.98 H
534758	(1470 DP5 CHR) Length 42"	\$50.98 R
5315093	(1470 DP6 CHR) Length 48"	\$54.98 H
5315094	(1470 DP7 CHR) Length 54"	\$56.98 H
534772	(1470 DP8 CHR) Length 60"	\$62.98 R

Perko Inland Series Replacement White All-Round Lights



Fig. 1445

Fig. 1440

- Stow-a-way plug-in pole.
- Reduced glare design.
- Black plastic top and locking collar.
- Clear fluted globe.
- 3/4" anodized aluminum tube.
- 2 mile visibility.
- For use on power driven vessels under 20 meters in length.
- 12 volt bulb included.

FIG. 1440 INLAND SERIES REPLACEMENT WHITE ALL-ROUND LIGHTS

• Pole rake: 0°. Fits bases: 1045 and 1047 (2 pin). Note: Bases not included.

Order No.	Mfg. No. / Description	Price
534705	(1440 DP2 CHR) Length 24"	\$31.98 R
534707	(1440 DP4 CHR) Length 36"	\$33.98 R
534708	(1440 DP5 CHR) Length 42"	\$37.98 R
5315084	(1440 DP6 CHR) Length 48"	\$42.98 H
534710	(1440 DP7 CHR) Length 54"	\$45.98 R
535306	(0238 DPO BLK) Spare Globe	\$11.98 R

FIG. 1445 INLAND SERIES REPLACEMENT WHITE ALL-ROUND LIGHTS

• Pole rake: 5°. Fits bases: 1046 and 1060 (2 pin). Note: Bases not included.

Order No.	Mfg. No. / Description	Price
5315088	(1445 DP2 CHR) Length 24"	\$29.98 H
5315089	(1445 DP4 CHR) Length 36"	\$34.98 H
5315090	(1445 DP6 CHR) Length 48"	\$42.98 H

Marpac L.E.D. Advantage Telescoping All-Round Light



- LED Advantage of low power use (only 1.7 watts on 12 volt systems or only 3.4 watts for 24 volt systems), long life and shock resistant durability.
- 24" - 48" telescopic white light is visible 360°.
- Tough marine grade aluminum pole with stainless steel base.
- Adjustable head allows for correct alignment independent from the base.
- Meets the stringent requirements for USCG, ABYC A-16 and IMO COLREG.
- Certified USCG 2nm, for use on boats under 39.4' (12 meters).
- Uses two #8 flat/oval head screws (Not included).
- 12 - 24 volt.

Order No.	Description	Price
7-6553	L.E.D. All-Round Light	\$53.98 G

Marpac L.E.D. Advantage Plug-In All-Round Light



- LED Advantage of low power use, long life and shock resistant durability.
- 42" white light is visible 360°.
- For use with most 2-pin plug in bases (Not included).
- Certified USCG 2nm, for use on boats under 39.4' (12 meters).
- Meets the stringent requirements for USCG, ABYC A-16 and IMO COLREG.
- CE Certified.
- 12 - 24 volt.

Order No.	Description	Price
7-6554	L.E.D. All-Round Light	\$33.98 G

Boater Sports L.E.D. All-Round Light



- The plug in all around navigation light you can trust.
- Fully sealed LED technology and S.S. main mast make this light the definition of dependable.
- Length 36"
- Additional features include locking collar and super low profile design which is easy in deployment and stowing to allow you to enjoy your time on the water.
- USCG approved with 2 Nautical Mile Visibility Rating.

Order No.	Description	Price
1-51596	(51596)	\$33.95 H

Perko Alpha Series Universal Repl. All-Round Lights



- Replacement stow-a-way plug-in type.
- Traditional frosted globe.
- Provides limited cockpit illumination.
- Black polymer top with white translucent globe.
- Selective use of 2 screws holes and/or collar allow for use in multiple applications.
- Pole rake: 0°.
- 3/4" diameter anodized aluminum tube.
- 12 volt bulb included.

Order No.	Mfg. No. / Description	Price
5315078	(1400 DP2 CHR) Height 24"	\$37.98 H

Marpac All-Round Light - Stow-a-way



- Chrome plated finish.
- Clear fresnel globe.
- Locking collar on pole.
- 16° rake. 2 mile visibility.
- Base has water proof snap-on cover.
- For use on power boats under 65.6'.
- Limited cockpit illumination.
- 12 volt, 6 C.P. bulb included.
- 5 year warranty.
- Made in the USA.

Order No.	Description	Price
7-0377	All-Round Light - Stow-a-way	\$62.98 F
7-7200	360° LED Replacement Bulb	\$16.98 G
7-3936	Spare Bulbs, 2 Per Pack	\$3.34 G

Boater Sports All-Round Stern Lights



- 2-pin standard stowaway plug-in pole with frosted globe and lens.
- 360° 2 mile visibility.
- Standardized pole.

Order No.	Mfg. No. / Description	Price
1-51251	(51251) Length 24"	\$17.20 H
1-51253	(51253) Length 36"	\$20.75 H
1-51255	(51255) Length 48"	\$22.89 H

Boater Sports Adjustable Telescopic Stern Light



- 360° All-Round navigation light.
- Frosted globe.
- 2 pin standard plug.
- Anodized tube is non-corrosive and water tight.
- Length 26" - 42"
- 2 mile, 360° visibility.

Order No.	Mfg. No. / Description	Price
1-51243	(51243)	\$25.95 H

Perko Fig. 1209 Stow-a-way Plug-In All-Round Light



- Stow-a-way plug-in pole.
- Chrome plated brass top and base.
- Clear fresnel globe.
- Screw on polymer collar.
- Waterproof cap and retainer.
- Mounting base included.
- 3/4" anodized aluminum tube.
- 2 mile visibility.
- For use on sail or power driven vessels under 20 meters in length.
- Pole has 16° rake. Height 28-1/2". Dimensions: 3-3/8" x 2-1/4".
- Uses #8 fasteners.
- #90 12 volt bulb included.



Order No.	Mfg. No. / Description	Price
533302	(1209 DP3 CHR)	\$111.98 R
536031	(0248 DPO CLR) Spare Globe	\$13.98 R
219469	(181105) Spare Bulbs, 10 Per Pack	\$1.72 I

- Fun & Flotation
- Anchor & Dock
- Safety
- Electronics
- Trolling Motors
- Lighting
- Electrical
- Topside Acc.
- Cockpit & Deck
- Instruments
- Steering, Controls
- Perform.
- Fuel System
- Engine & Parts
- Engine Care
- Propellers
- Seating & Pedestals
- Tops & Covers
- Pumps
- Cleaning & Care
- Paint & Paint Acc.
- Hardware, Fasteners
- Trailering
- Misc.
- Comm.

Attwood Frosted Globe All-Round Lights



- The new frosted globe lights use a standardized lamp.
- The new lens has a clean, translucent look.
- For use on boats up to 20 meters.
- 2-pin locking collar pole.
- 2 mile, 360° visibility.

Order No.	Mfg. No. / Description	Price
235324	(5110-24-7) Length 24"	\$22.98 H
235336	(5110-30-7) Length 30"	\$28.98 H
235337	(5110-36-7) Length 36"	\$30.98 H
235348	(5110-42-7) Length 42"	\$31.98 H
235350	(5110-48-7) Length 48"	\$33.98 H
235259	(911339-7) Angled Spare Zamak Base	\$23.98 H
235172	(91024-7) Spare Black Base	\$23.98 H
235805	(91017B7) Spare Globe	\$5.98 R
2350162	(9235-7) Spare Bulb	\$5.98 H

Attwood Telescoping All-Round Pole Light



- A die cast zamak base with locking knob that allows pole to be lowered to the gunwale when not in use.
- 3/4" diameter pole is constructed of anodized aluminum.
- 2 mile, 360° visibility.
- For use on boats up to 20 meters.
- Base dimensions: 1" W x 4-1/2" D.
- Has three countersunk holes for #10 fasteners.
- Includes: (1) #1004 12 volt bulb.

Order No.	Mfg. No. / Description	Price
235209	(7101A7) Length 24"	\$49.98 H
235805	(91017B7) Spare Globe	\$5.98 R
219534	(181165) Spare Bulbs, 10 Per Pack	\$2.16 I

Attwood Stow-a-way All-Round Lights



- Convenient all-round light can be removed from base for storage.
- Swivel cover on base protects the socket when light is stowed away.
- Frosted globe.
- 3/4" diameter pole is constructed of anodized aluminum.
- 2 mile, 360° visibility.
- For use on boats up to 12 meters.
- Base dimensions: 4" long x 1-5/8" wide x 1-3/8" diameter.
- Includes: angled Zamak base and (1) 8 watt wedge-base lamp.

Order No.	Mfg. No. / Description	Price
235223	(7100A7) Length 24"	\$43.98 H
235475	(7100B7) Length 30"	\$47.98 R
235487	(7100C7) Length 36"	\$48.98 Q
235259	(911339-7) Angled Spare Zamak Base	\$23.98 H
235805	(235805) Spare Globe	\$5.98 R
2350162	(9235-7) Spare Bulb	\$5.98 H

Attwood Articulating Anti-Glare All-Round Folding Light



- Has all the features of the patented Articulating Anti-Glare light plus one great advantage - the removable pole folds in half for easy stowage.
- The mid-point hinge is corrosion resistant, glass-filled black plastic with a durable hinge pin.
- Wiring is sheathed at the hinge for trouble-free operation.
- 2-pin locking collar pole.
- 2 mile, 360° visibility.

Order No.	Mfg. No. / Description	Price
235184	(5340-54-7) Length 54"	\$62.98 H
235806	(912852-7) Spare Globe	\$4.99 G
2350162	(9235-7) Spare Bulb	\$5.98 H

Attwood Articulating Anti-Glare All-Round Lights



- They focus light at the horizon and above, not in the pilot's eyes.
- The bottom aperture reduces glare at 7.5° below horizontal.
- Above horizontal, the continuous arc of light makes the boat more visible to taller craft.
- The patented Articulating Head adjusts from 15° forward to 15° aft.
- 2-pin locking collar pole.
- 2 mile, 360° visibility.

Order No.	Mfg. No. / Description	Price
235415	(5330-42-7) Length 42"	\$40.98 H
235417	(5330-48-7) Length 48"	\$41.98 H
235172	(91024-7) Spare Black Base	\$23.98 H
235806	(912852-7) Spare Globe	\$4.99 G
2350162	(9235-7) Spare Bulb	\$5.98 H

Attwood Replacement Globes



EARLY ATTWOOD MODELS: 6700

Order No.	Mfg. No. / Description	Price
2350125	(6724-05-1)	\$6.98 Q

EARLY ATTWOOD MODELS: 9000

Order No.	Mfg. No. / Description	Price
2350152	(9024-05-1)	\$7.98 Q

Marpac Universal Plug-In Light Bases



- Fits most plug-in style poles.
- Positive locking cover.
- 8" wire leads for easier rigging.
- Requires (4) #6 fasteners (Not included).

Order No.	Description	Price
7-0052	Composite Cover	\$15.98 G
7-0053	Stainless Steel Cover	\$32.98 F

Boater Sports Plug-In Light Base



- Chrome plated zamak base with swivel cover.
- 2-pin contact socket for standard and angled poles is keyed to prevent incorrect insertion.
- Direct replacement for Attwood and other competitive brands.

Order No.	Mfg. No. / Description	Price
1-51273	(51273)	\$15.35 H

Marpac Plug-In Light Base



- Chrome plated zamack.
- 2-pin socket fits most plug-in style poles.
- Keyed to help prevent wrongful insertion.
- Direct replacement for Attwood and other competitive brands.

Order No.	Description	Price
7-0370	Plug-In Light Base	\$14.98 G

- Fun & Flotation
- Anchor & Dock
- Safety
- Electronics
- Trolling Motors
- Lighting
- Electrical
- Topside Acc.
- Cockpit & Deck
- Instruments
- Steering, Controls
- Perform.
- Fuel System
- Engine & Parts
- Engine Care
- Propellers
- Seating & Pedestals
- Tops & Covers
- Pumps
- Cleaning & Care
- Paint & Paint Acc.
- Hardware, Fasteners
- Trailer
- Misc.
- Comm.

Perko Fig. 1045 Plug-In Type Bases



- Chrome plated brass and black polymer base.
- Waterproof snap-on cover.
- Base dimensions: 2-1/4" OD.
- Tube angle: 0°. Uses #8 fasteners.

NUMBER OF PINS: 2

- Fits Perko Figs. 1343, 1347, 1348, 1349, 1400, 1440, 1442, 1450, 1451, 1452, 1460, 1454, 1470, 1612 and 1616.

Order No.	Mfg. No. / Description	Price
536384	(1045 P00 DP)	\$29.98 H

NUMBER OF PINS: 3

- Fits Perko Figs. 1211 and 1421.

Order No.	Mfg. No. / Description	Price
536396	(1045 300 DP)	\$36.98 R

Perko Fig. 1046 Plug-In Type Base



- Chrome plated brass and black polymer.
- Water resistant slide cover.
- Fits poles with locking collar.
- Number of contacts: 2.
- Tube angle: 5°. Uses #8 fasteners.
- Base dimensions: 3-1/2" x 1-1.2".
- Fits Figs. 1343, 1347, 1348, 1349, 1400, 1445, 1447, 1451, 1455, 1456, 1465 and 1470.

Order No.	Mfg. No. / Description	Price
536409	(1046 P00 DP)	\$43.98 R

Attwood Round Base for Straight Pole



- 3-pin base for pole lights with locking collars.
- Features a soft rubber cover with a molded-in gasket.
- Completely non-corrosive.

Order No.	Mfg. No. / Description	Price
2350210	(91021-1) Black	\$20.98 H

Perko Fig. 1060 Plug-In Type Bases



- Black polymer and chrome plated zinc alloy.
- Black polymer insert.
- Waterproof snap-on cover.
- Fits poles with locking collar.
- Tube angle: 5°. Uses #8 fasteners.
- Base dimensions: 3-3/4" x 1-3/4".

NUMBER OF CONTACTS: 2

- Fits Figs. 1343, 1347, 1348, 1349, 1400, 1445, 1447, 1451, 1455, 1456, 1465 and 1470.

Order No.	Mfg. No. / Description	Price
536500	(1060 PBO DP)	\$32.98 R

NUMBER OF CONTACTS: 3

- Fits Figs. 1212 and 1422.

Order No.	Mfg. No. / Description	Price
536512	(1060 3BO DP)	\$36.98 R

Perko Fig. 1048 Plug-In Type Base



- Chrome plated brass and black polymer.
- Waterproof snap-on cover.
- Fits poles with large threaded collar.
- Number of contacts: 2.
- Tube angle: 5°. Uses #8 fasteners.
- Base dimensions: 3-1/2" x 2".
- Fits Figs. 1343, 1347, 1348, 1349, 1451, 1470, 1622, 1624 and 1656.

Order No.	Mfg. No. / Description	Price
536435	(1048 P00 DP)	\$36.98 R

Attwood Oval Base for Angled Pole



- 2-pin base for angled pole lights with locking collars.
- Features a soft rubber cover with a molded-in gasket.
- Completely non-corrosive.
- Provides a 2-pin socket and a 7.5° angle and installs on narrow gunwales or deck areas.

Order No.	Mfg. No. / Description	Price
2350211	(91022-1) Black	\$19.98 H

Perko Fig. 1052 Replacement Bases - Horizontal Mount

- Chrome plated zinc alloy. Length overall 2". Width overall 1-1/2".

FITS PERKO FIGS. 1134 AND 1634

- Does not contain notch for through base wiring.

Order No.	Mfg. No. / Description	Price
531645	(1052 DPO CHR)	\$26.98 R

FITS PERKO FIGS. 1181 AND 1281

- Contains notch for through base wiring.

Order No.	Mfg. No. / Description	Price
531640	(1052 DPA CHR)	\$25.98 R



Perko Fig. 1047 Plug-In Type Bases



- Chrome plated brass and black polymer.
- Water resistant slide cover.
- Fits poles with locking collar.
- Tube angle: 0°.
- Uses #8 fasteners.
- Base dimensions: 3-1/2" x 1-1/2".

NUMBER OF CONTACTS: 2

- Fits Figs. 1343, 1347, 1348, 1349, 1400, 1440, 1442, 1450, 1451, 1452, 1454, 1460, 1470 and 1616.

Order No.	Mfg. No. / Description	Price
536411	(1047 P00 DP)	\$38.98 R

NUMBER OF CONTACTS: 3

- Fits Figs. 1211 and 1421.

Order No.	Mfg. No. / Description	Price
536423	(1047 3BO DP)	\$44.98 R

Perko Fig. 1059 Plug-In Type Base



- Black polymer and chrome plated zinc alloy.
- Waterproof snap-on cover.
- Fits poles with locking collar.
- Number of contacts: 2.
- Tube angle: 16°. Uses #8 fasteners.
- Base dimensions: 3-3/4" x 1-5/8".
- Fits Figs. 1330, 1343, 1347, 1348, 1349, 1400, 1451 and 1470.

Order No.	Mfg. No. / Description	Price
536485	(1059 P00 DP)	\$28.98 R

Boater Sports Plug-In Light Base



- Corrosion free high-impact black nylon.
- Keeps clean and dry when not in use with tethered cover.
- Fits standard stowable lights.
- Direct replacement to Attwood and other competitive bases.

Order No.	Mfg. No. / Description	Price
1-51274	(51274)	\$9.29 H

Boater Sports Pole Light Storage Clips



- Resilient plastic clip holds standard 3/4" diameter poles.
- Ideal for storing and protecting plug-in pole lights.
- Dimensions: 2" L x 1" H.

Order No.	Mfg. No. / Description	Price
1-54096	(54096)	\$6.25 H

- Fun & Flotation
- Anchor & Dock
- Safety
- Electronics
- Trolling Motors
- Lighting
- Electrical
- Topside Acc.
- Cockpit & Deck
- Instruments
- Steering, Controls
- Perform.
- Fuel System
- Engine & Parts
- Engine Care
- Propellers
- Seating & Pedestals
- Tops & Covers
- Pumps
- Cleaning & Care
- Paint & Paint Acc.
- Hardware, Fasteners
- Trailering
- Misc.
- Comm.

- Fun & Flotation
- Anchor & Dock
- Safety
- Electronics
- Trolling Motors
- Lighting**
- Electrical
- Topside Acc.
- Cockpit & Deck
- Instruments
- Steering, Controls
- Perform.
- Fuel System
- Engine & Parts
- Engine Care
- Propellers
- Seating & Pedestals
- Tops & Covers
- Pumps
- Cleaning & Care
- Paint & Paint Acc.
- Hardware, Fasteners
- Trailing
- Misc.
- Comm.

Perko Fig. 362 White All-Round Lights



- Cast bronze. Frosted globe.
- Double contact socket.
- 2 mile visibility.
- For use on sail or power driven vessels under 20 meters in length.
- Base is tapped for 1/2" pipe. Height 1-1/2".
- 12 volt bulb included.

Order No.	Mfg. No. / Description	Price
537879	(0362 DPO CHR) Chrome Plated	\$164.98 R
537881	(0362 DPO PLB) Plain	\$139.98 R
536031	(0248 DPO CLR) Spare Globe	\$13.98 R
535976	(0024 DP1) Spare Socket	\$8.98 R

Perko Fig. 371 White All-Round Light



- Plain cast bronze. Frosted globe.
- Double contact socket.
- 2 mile visibility.
- For use on sail or power driven vessels under 20 meters in length.
- Height 1-1/2", base OD 2-1/2".
- Uses #8 fasteners.
- 12 volt bulb included.

Order No.	Mfg. No. / Description	Price
537932	(0371 DPO PLB) Plain	\$124.98 R
536031	(0248 DPO CLR) Spare Globe	\$13.98 R
535976	(0024 DP1) Spare Socket	\$8.98 R

Perko Fig. 248 Spare Globe for All-Round Lights



- Clear.
- Fits most small Perko All-Round Lights and other lights with screw-on globes.
- Dimensions: 2" OD.
- 1-11/16" ID.
- Height 2-1/2".

Order No.	Mfg. No. / Description	Price
536031	(0248 DPO CLR)	\$13.98 R

Perko Fig. 112 and 309 Series All-Round Lights



- Cast bronze.
- Medium screw base type electrical socket.
- 2 mile visibility.
- For use on power driven vessels under 20 meters in length.
- Uses #8 fasteners.

Order No.	Mfg. No. / Description	Price
527880	(0112 B00 PLB) White	\$322.98

FIG. 309 ALL-ROUND LIGHTS

- Base is tapped for 1/2" pipe.
- Overall height 6-1/2".
- Requires frosted medium screw bulb.
- Bulbs not included.

Order No.	Mfg. No. / Description	Price
527880	(0309 B00 PLB) White, Requires 15 watt Bulb	\$242.98
527892	(0309 R00 PLB) Red, Requires 25 watt Bulb	\$242.98
527905	(0309 G00 PLB) Green, Requires 25 watt Bulb	\$242.98

SPARE MEDIUM SCREW BASE SOCKET

Order No.	Mfg. No. / Description	Price
529620	(0226)	\$17.98

Perko Fig. 309 Series All-Round Lights



- Plain cast bronze.
- Complete with double contact electrical socket.
- For use on vessels 20 meters to 50 meters in length.
- 2 mile visibility.
- Base is tapped for 1/2" pipe.
- Overall height 6-1/2".
- Bulbs not included.

Order No.	Mfg. No. / Description	Price
524822	(0309 A00 PLB) White	\$261.98
524834	(0309 R00 PLB) Red	\$261.98

SPARE BULBS - 30 WATT

Order No.	Mfg. No. / Description	Price
528387	(0374 001 CLR) 12 volt	\$50.98
528399	(0374 002 CLR) 24 volt	\$50.98
528402	(0374 003 CLR) 32 volt	\$50.98
528414	(0374 004 CLR) 120 volt	\$58.98

Perko Fig. 108 Series All-Round Lights



- Black polymer with festoon type electrical socket.
- Base is tapped for 1/2" pipe or can be removed for surface mounting with #10 fasteners.
- For use on power driven vessels under 20 meters in length.
- 2 mile visibility.
- Overall height 6", base OD 3-1/8".
- For 12 or 32 volt systems.
- Bulbs not included.
- *Note: White light has grey tinted lens.

Order No.	Mfg. No. / Description	Price
527828	(0108 000 BLK) White*	\$109.98
527830	(0108 G00 BLK) Green	\$109.98
527842	(0108 R00 BLK) Red	\$109.98

SPARE BULBS - 2 PER PACK

Order No.	Mfg. No. / Description	Price
541638	(0070 DP1 CLR) 12 volt	\$14.98 R
541640	(0070 DP2 CLR) 32 volt	\$14.98 R

Perko Fig. 106 Series Spare Globes



- Spare globes for Perko Figs. 108, 112 and 309 All-Round Lights.

Order No.	Mfg. No. / Description	Price
529000	(0106 000 WHT) White	\$62.98 E
529012	(0106 000 GRN) Green	\$62.98 E
529024	(0106 000 YLW) Yellow	\$62.98 E
529036	(0106 000 RED) Red	\$62.98 E

Perko Fig. 170 Series Navigation Lights



- All black polymer with soft black vinyl mounting gasket.
- For use on sail or power driven vessels under 20 meters in length.
- Overall height 3-5/8", width 4-1/8". Overall projection 2-1/2".
- Uses #10 fasteners.
- 12 volt bulb included.

Order No.	Mfg. No. / Description	Visibility	Visibility Arc	Price
533270	(0170 BSD DP1) Green Side	2 Mile	112-1/2°	\$37.98 R
533271	(0170 BPO DP1) Red Side	2 Mile	112-1/2°	\$37.98 R
533269	(0170 BMO DP1) White Masthead	3 Mile	225°	\$37.98 R
533272	(0170 BSN DP1) White Stern	2 Mile	135°	\$37.98 R

SPARE BULBS - 12 VOLT (2 PER PACK)

- For: **533272** (170 BSN DP1).

Order No.	Mfg. No. / Description	Price
541530	(0069 DPO CLR)	\$16.98 R

- For: **533270** (170 BSD DP1), **533271** (170 BPO DP1) & **533269** (170 BMO DP1).

Order No.	Mfg. No. / Description	Price
541638	(0070 DP1 CLR)	\$13.98 R

Aqua Signal Series 34 L.E.D. Navigation Lights



- Black housing. Mast-mount.
- Polycarbonate, seawater resistant, UV protected, non-corrosive, non-magnetic, impact and shock resistant.
- IMO, BSH, GL, CE, Steuerrad Approved.
- For use on sail or power driven vessels under 20 meters.
- Inverse polarity protection included.
- Bulb included.
- 12V, 24V.
- Innovative lens technology for wide visibility requires only one light-emitting diode.

Order No.	Mfg. No. / Description	Price
207449	(34000-7) 360° White Dimensions: 2.3" H x 3" W	\$136.98 G
207456	(34400-7) 225° White Dimensions: 4" H x 3.85" W	\$184.98 G
207463	(34410-7) 225°, 360° White Dimensions: 6" H x 3.85" W	\$319.98 G

Perko Figs. 109, 110 and 111 Series Navigation Lights



- Black polymer.
- For use on power driven vessels under 20 meters in length.
- Overall height 5-1/4".
- Lens height 4-1/4".
- Uses #10 fasteners.
- For 12 or 32 volt bulbs. Bulbs not included.

Order No.	Mfg. No. / Description	Visibility	Visibility Arc	Price
527690	(0109 R00 BLK) Red Side	2 Mile	12-1/2°	\$120.98 I
527703	(0109 G00 BLK) Green Side	2 Mile	12-1/2°	\$120.98 I
527715	(0110 000 BLK) White Masthead	3 Mile	225°	\$120.98 I
527727	(0111 000 BLK) White Stern	2 Mile	135°	\$120.98 I
527739	(0111 M00 BLK) Yellow Towing	2 Mile	135°	\$120.98 I

SPARE BULBS (2 PER PACK)

Order No.	Mfg. No. / Description	Price
541638	(0070 DP1 CLR) 12 volt	\$13.98 R
541640	(0070 DP2 CLR) 32 volt	\$14.98 R

Aqua Signal Series 41 Navigation Lights



- Housing: Rigid polycarbonate black, shock resistant, non-corrosive, non-magnetic, seawater resistant.
- Optics: Rigid acrylic fresnel lens, shock resistant, seawater resistant.
- Overall height 4.1". Lens height 2.6".
- For use on sail or power driven vessels under 20 meters.
- 12 volt.

Order No.	Mfg. No. / Description	Price
207250	(41100-7) Bicolor Green/Red Lens 2 Mile Visibility	\$86.98 F
207261	(41200-7) Starboard Green Lens 2 Mile Visibility	\$89.98 R
207267	(41300-7) Port Red Lens 2 Mile Visibility	\$89.98 R
207274	(41400-7) Masthead White Lens 3 Mile Visibility	\$86.98 F
207286	(41500-7) Stern White Lens 2 Mile Visibility	\$87.98 F

- Fun & Flotation
- Anchor & Dock
- Safety
- Electronics
- Trolling Motors
- Lighting
- Electrical
- Topside Acc.
- Cockpit & Deck
- Instruments
- Steering, Controls
- Perform.
- Fuel System
- Engine & Parts
- Engine Care
- Propellers
- Seating & Pedestals
- Tops & Covers
- Pumps
- Cleaning & Care
- Paint & Paint Acc.
- Hardware, Fasteners
- Trailering
- Misc.
- Comm.

Perko Fig. 200 Series Navigation Lights



535840



535646

- Black polymer.
- For use on sail or power driven vessels under 20 meters in length.
- Base mount with #10 fasteners or use **535840** (222 DPO BLK) pipe mounting bracket.
- Overall height 4-7/8". Base OD 3-5/16". Lens height 2-3/4".
- Use Perko Fig. 375 12 volt bulb of proper wattage. 12 volt bulb included.

Order No.	Mfg. No. / Description	Visibility	Visibility Arc	Price
535640	(0200 SDB DP1) Green Side	2 Mile	112-1/2°	\$123.98 Q
535641	(0200 PBO DP1) Red Side	2 Mile	112-1/2°	\$123.98 Q
535645	(0200 MBO DP1) White Masthead	3 Mile	225°	\$123.98 Q
535646	(0200 SNB DP1) White Stern	2 Mile	135°	\$123.98 Q
535652	(0200 SWB DP1) White All-Round	2 Mile	360°	\$123.98 Q

SPARE BULBS - 12 VOLT

- For: **535646** (200 SNB DP1) and **535652** (200 SWB DP1).
- | Order No. | Mfg. No. / Description | Price |
|---------------|------------------------|------------------|
| 528503 | (0375 12V 10W) 10 Watt | \$52.98 I |
- For: **535640** (200 SDB DP1), **535641** (200 PBO DP1) & **535645** (200 MBO DP1).
- | Order No. | Mfg. No. / Description | Price |
|---------------|------------------------|------------------|
| 528515 | (0375 12V 25W) 25 Watt | \$58.98 I |

FIG. 222 PIPE MOUNTING BRACKET

- Black polymer.
- For use on all 200 Series Base Mount Lights in order to mount on 1/2" pipe.
- Screws and soft black mounting gasket for mounting bracket to light.
- Overall OD 3-5/16".

Order No.	Mfg. No. / Description	Price
535840	(0222 DPO BLK)	\$17.98 R

Perko Fig. 1377 - 1380 Series L.E.D. Navigation Lights



526159

526154

526164

- Black polymer.
- For use on vessels 20 meters to 50 meters in length.
- Pre-wired with 3' of 16/3-SO cable.
- Translucent color specific insert on top of light.
- Sealed cap.
- Overall height: 6". Lens height: 3-1/2".
- Uses 1/4" fasteners.
- LED: 120 VAC.

Order No.	Mfg. No. / Description	Visibility	Visibility Arc	Price
526154	(1377 G00 BLK) Green Side	2 Mile	112-1/2°	\$1,027.98 I
526159	(1377 R00 BLK) Red Side	2 Mile	112-1/2°	\$1,027.98 I
526164	(1378 000 BLK) White Masthead	5 Mile	225°	\$1,197.98 I
526169	(1379 000 BLK) White Stern	2 Mile	135°	\$1,027.98 I
526174	(1379 M00 BLK) Yellow Towing	2 Mile	135°	\$1,027.98 I
526179	(1380 000 BLK) White All-Round	2 Mile	360°	\$1,027.98 I
526184	(1380 G00 BLK) Green All-Round	2 Mile	360°	\$1,027.98 I
526189	(1380 R00 BLK) Red All-Round	2 Mile	360°	\$1,027.98 I

Perko Figs. 1127 - 1130 Series Navigation Lights



525963

525937

525951

525901

525913

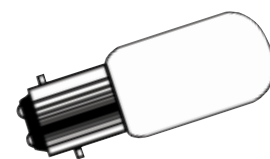
- Black polymer.
 - For use on vessels 20 meters to 50 meters in length.
 - Complete with pre-wired double contact socket and 3' of 16/3-SO cable.
 - Watertight access cap for rebulbing and cleaning.
 - UL Standard 1104, 72 COLREGS and US inland rules.
 - Overall height 7-1/2". Lens height 4-1/2".
 - Uses 1/4" fasteners.
 - Use Perko Fig. 374 bulbs. Bulbs not included.
- *White lights have grey tinted lens.

Order No.	Mfg. No. / Description	Visibility	Visibility Arc	Price
525901	(1127 GAO BLK) Green Side	2 Mile	112-1/2°	\$247.98 I
525913	(1127 RAO BLK) Red Side	2 Mile	112-1/2°	\$247.98 I
525937	(1128 A00 BLK) White Masthead	5 Mile	225°	\$247.98 I
525951	(1129 A00 BLK) White Stern*	2 Mile	135°	\$247.98 I
525963	(1129 MA0 BLK) Yellow Towing	2 Mile	135°	\$247.98 I
525987	(1130 A00 BLK) White All-Round*	2 Mile	360°	\$247.98 I
525999	(1130 GAO BLK) Green All-Round	2 Mile	360°	\$247.98 I
526105	(1130 RAO BLK) Red All-Round	2 Mile	360°	\$247.98 I

SPARE LENS AND ACCESSORIES

Order No.	Mfg. No. / Description	Price
535419	(0249 000 RED) Spare Red Lens	\$147.98 F
535421	(0249 000 GRN) Spare Green Lens	\$147.98 F
535433	(0249 000 GRY) Spare Gray Lens	\$147.98 F
529466	(0134) Spare Double Contact Socket	\$38.98 F
529860	(1105 000 BLK) Spare Access Cap with Chain	\$49.98 I
529872	(1119) Spare O-Ring for Cap	\$8.98 F

Perko Fig. 374 Double Contact Bayonet Bulbs



- Clear Type T-8. C-8.
- Filament, length 1-3/8".
- Sold each. Standard pack 50.

Order No.	Mfg. No. / Description	Price
528387	(0374 001 CLR) 12 volt 30 watt	\$50.98 I
528399	(0374 002 CLR) 24 volt 30 watt	\$50.98 I
528402	(0374 003 CLR) 32 volt 30 watt	\$50.98 I
528414	(0374 004 CLR) 120 volt 30 watt	\$59.98 I

Perko Figs. 1369 - 1374 Series Single Lens Navigation Lights



- Lightweight but durable fiber-filled black polymer.
- For use on vessels over 20 meters in length.
- Pre-wired medium prefocus socket.
- Includes: (1) 3' length of 16/3-SO cable through watertight terminal tubes.
- Watertight access cap for rebulbing and cleaning.
- UL Standard 1104, 72 COLREGS and US inland rules.
- Overall height 9-1/4". Lens height 6-3/4".
- Uses 3/8" mounting bolt.
- Bulbs: 24, 120 and 220 volt (Not included).
- Use Perko Fig. 342 Medium Prefocus Bulbs.
- Rough service bulbs are available.

*White lights have grey tinted lens.

Order No.	Mfg. No. / Description	Visibility	Visibility Arc	Price
523438	(1372 GEO BLK) Green Side	3 Mile	112-1/2°	\$434.98 Q
523440	(1372 REO BLK) Red Side	3 Mile	112-1/2°	\$434.98 Q
523452	(1373 E00 BLK) White Masthead	6 Mile	225°	\$434.98 Q
523464	(1374 E00 BLK) White Stern*	3 Mile	135°	\$434.98 Q
523476	(1374 ME0 BLK) Yellow Towing	3 Mile	135°	\$434.98 Q
523488	(1369 E00 BLK) White All-Round*	3 Mile	360°	\$418.98 Q
523490	(1370 RE0 BLK) Red All-Round	3 Mile	360°	\$418.98 Q

IMPORTANT BULB DATA

• To comply with UL Standard A-1104 (A.B.Y.C.), these lights must be used with the following Perko bulbs: 24 volt use - **528289** (342 024 CLR) bulb, 120 volt use **528286** (342 004 CLR) bulb or **528298** (342 RS4 CLR) bulb when a "Rough Service" bulb is required and 220 volt use **528292** (342 220 CLR) bulb.

Perko Figs. 1364 - 1368 Series Double Lens Navigation Lights



- Lightweight but durable fiber-filled black polymer.
- For use on vessels over 20 meters in length.
- Pre-wired medium prefocus socket.
- Includes: (2) 3' lengths of 16/3-SO cable through watertight terminal tubes.
- Watertight access cap for rebulbing and cleaning.
- UL Standard 1104, 72 COLREGS and US inland rules.
- Overall height 17-1/4". Lens height 6-3/4".
- Uses 3/8" mounting bolt.
- Bulbs: 24, 120 and 220 volt (Not included). Use Perko Fig. 342 Medium Prefocus Bulbs. Rough service bulbs are available.

*White lights have grey tinted lens.

Order No.	Mfg. No. / Description	Visibility	Visibility Arc	Price
523351	(1364 GEO BLK) Green Side	3 Mile	112-1/2°	\$582.98 Q
523363	(1364 RE0 BLK) Red Side	3 Mile	112-1/2°	\$582.98 Q
523375	(1365 E00 BLK) White Masthead	6 Mile	225°	\$582.98 Q
523387	(1366 E00 BLK) White Stern*	3 Mile	135°	\$582.98 Q
523399	(1366 ME0 BLK) Yellow Towing	3 Mile	135°	\$582.98 Q
523402	(1367 E00 BLK) White All-Round*	3 Mile	360°	\$559.98 Q
523414	(1368 GE0 BLK) Green All-Round	3 Mile	360°	\$559.98 Q
523426	(1368 RE0 BLK) Red All-Round	3 Mile	360°	\$559.98 Q

IMPORTANT BULB DATA

• To comply with UL Standard A-1104 (A.B.Y.C.), these lights must be used with the following Perko bulbs: 24 volt use - **528289** (342 024 CLR) bulb, 120 volt use **528286** (342 004 CLR) bulb or **528298** (342 RS4 CLR) bulb when a "Rough Service" bulb is required and 220 volt use **528292** (342 220 CLR) bulb.

Perko Figs. 1169 - 1174 Series Single Lens Navigation Lights

- Heavy duty cast bronze.
- For use on vessels over 20 meters in length.
- Pre-wired medium prefocus socket.
- Includes: (1) 3' length of 16/3-SO cable through a watertight terminal tube.
- Watertight access cap for rebulbing and cleaning.
- UL Standard 1104, 72 COLREGS and US inland rules.
- Overall height 9-1/4". Lens height 6-3/4".
- Uses 3/8" mounting bolt.
- Bulb: 120 volt only (Not included).

*White lights have grey tinted lens.



Order No.	Mfg. No. / Description	Visibility	Visibility Arc	Price
523806	(1172 GEO PLB) Green Side	3 Mile	112-1/2°	\$821.98 Q
523818	(1172 RE0 PLB) Red Side	3 Mile	112-1/2°	\$821.98 Q
523832	(1173 E00 PLB) White Masthead	6 Mile	225°	\$821.98 Q
523856	(1174 E00 PLB) White Stern*	3 Mile	135°	\$821.98 Q
523868	(1174 ME0 PLB) Yellow Towing	3 Mile	135°	\$821.98 Q
523882	(1169 E00 PLB) White All-Round*	3 Mile	360°	\$789.98 Q
523919	(1170 RE0 PLB) Red All-Round	3 Mile	360°	\$789.98 Q

IMPORTANT BULB DATA

• To comply with UL Standard A-1104 (A.B.Y.C.), these lights must use a Perko Catalog No. - **528286** (342 004 CLR) bulb for 120 volt or **528298** (342 RS4 CLR) bulb when a "Rough Service" bulb is required.

- Fun & Flotation
- Anchor & Dock
- Safety
- Electronics
- Trolling Motors
- Lighting
- Electrical
- Topside Acc.
- Cockpit & Deck
- Instruments
- Steering, Controls
- Perform.
- Fuel System
- Engine & Parts
- Engine Care
- Propellers
- Seating & Pedestals
- Tops & Covers
- Pumps
- Cleaning & Care
- Paint & Paint Acc.
- Hardware, Fasteners
- Trailering
- Misc.
- Comm.

Perko Figs. 1150, 1151 and 1152 Navigation Lights



- Fun & Flotation
- Anchor & Dock
- Safety
- Electronics
- Trolling Motors

- Sheet metal, preprimed galvanized steel.
- Medium prefocus socket.
- Watertight terminal tube for 16/3-SO cable.
- Watertight access cap for rebulbing and cleaning.
- UL Standard 1104, 72 COLREGS and US inland rules.
- Uses 1/4" fasteners.
- Bulb: 120 volt only (Not included).
- Use Perko Fig. 342 Medium Prefocus Bulbs.

Lighting FOR USE ON VESSELS 20 METERS TO 50 METERS IN LENGTH

- Overall height 11-1/2".
- Lens height 6-3/4".

Order No.	Mfg. No. / Description	Visibility	Visibility Arc	Price
524656	(1150 GE1 GAL) Green Side	2 Mile	112-1/2°	\$616.98 Q
524668	(1150 RE1 GAL) Red Side	2 Mile	112-1/2°	\$616.98 Q
524682	(1151 E01 GAL) White Masthead	5 Mile	225°	\$616.98 Q
524707	(1152 E01 GAL) White Stern	2 Mile	135°	\$616.98 Q
524719	(1152 ME1 GAL) Yellow Towing	2 Mile	135°	\$616.98 Q

FOR USE ON VESSELS OVER 20 METERS IN LENGTH

- Overall height 13-1/2".
- Lens height 7-1/2".

Order No.	Mfg. No. / Description	Visibility	Visibility Arc	Price
524353	(1150 GE2 GAL) Green Side	3 Mile	112-1/2°	\$779.98 Q
524366	(1150 RE2 GAL) Red Side	3 Mile	112-1/2°	\$779.98 Q

Perko Fig. 1129 Panama Canal Blue Steering Light



- Engine Care
- Propellers
- Seating & Pedestals
- Tops & Covers
- Pumps
- Cleaning & Care
- Paint & Paint Acc.
- Hardware, Fasteners
- Trailer
- Misc.
- Comm.

- Black polymer.
- For use on vessels of any length.
- Pre-wired double contact socket with 3' of 16/3-SJO cable.
- Overall height 7-1/2". Lens height 4-1/4".
- Visibility arc 135°.
- Bulb: 12, 24, 32 or 120 volt (Not included).

Order No.	Mfg. No. / Description	Price
525975	(1129 BAO BLK)	\$409.98 I
529466	(0134) Spare Double Contact Socket	\$38.98 F
529860	(1105 000 BLK) Spare Access Cap with Chain	\$49.98 I
529872	(1119) Spare O-Ring for Cap	\$8.98 F

IMPORTANT BULB DATA

- To comply with Panama Canal Requirements this light must use a Perko Fig. 374 bulb.

Perko Figs. 1164 - 1168 Series Double Lens Navigation Lights



- Heavy duty cast bronze.
- For use on vessels over 20 meters in length.
- Pre-wired medium prefocus socket in each compartment.
- Includes: (2) 3' length of 16/3-SO cable through a watertight terminal tubes.
- Watertight access cap for rebulbing and cleaning.
- UL Standard 1104, 72 COLREGS and US inland rules.
- Overall height 17-1/4". Lens height 6-3/4".
- Uses 3/8" mounting bolt.
- Bulb: 120 volt only (Not included). Use Perko Fig. 342 Medium Prefocus Bulbs. Rough service bulbs are available.

*White lights have grey tinted lens.

Order No.	Mfg. No. / Description	Visibility	Visibility Arc	Price
523503	(1164 GEO PLB) Green Side	3 Mile	112-1/2°	\$1,259.98 Q
523515	(1164 REO PLB) Red Side	3 Mile	112-1/2°	\$1,259.98 Q
523541	(1165 E00 PLB) White Masthead	6 Mile	225°	\$1,259.98 Q
523565	(1166 E00 PLB) White Stern*	3 Mile	135°	\$1,259.98 Q
523577	(1166 MEO PLB) Yellow Towing	3 Mile	135°	\$1,259.98 Q
523591	(1167 E00 PLB) White All-Round*	3 Mile	360°	\$1,240.98 Q
523628	(1168 GEO PLB) Green All-Round	3 Mile	360°	\$1,240.98 Q
523630	(1168 REO PLB) Red All-Round	3 Mile	360°	\$1,240.98 Q

IMPORTANT BULB DATA

- To comply with UL Standard A-1104 (A.B.Y.C.), these lights must use a Perko Catalog No. - **528286** (342 004 CLR) bulb for 120 volt or **528298** (342 RS4 CLR) bulb when a "Rough Service" bulb is required.

Perko Fig. 1111 Special Purpose Flashing Yellow Light



- Sheet metal, preprimed galvanized steel.
- For use on vessels of any length.
- Medium prefocus socket.
- Watertight terminal tube for 16/3-SO cable.
- Overall height 11-1/2". Lens height 6-3/4".
- 2 mile visibility. Visibility arc 225°.
- Flashes per minute: 50 - 70.
- Bulb: 120 volt only (Not included).
- Designed to meet Federal Requirements for Flashing Yellow 180° - 225° light for barges, canal boats, etc., that are being pushed ahead or towed along side of a tug boat. Refer to U.S. Inland Navigation Rules for details.

Order No.	Mfg. No. / Description	Price
524771	(1111 ME1 GAL)	\$813.98 I
529909	(0133) Spare Flasher Unit	\$227.98 F

IMPORTANT BULB DATA

- To comply with Federal Requirements this light must use a Perko Catalog No. - **528286** (342 004 CLR) bulb for 120 volt or **528298** (342 RS4 CLR) bulb when a "Rough Service" bulb is required.

Perko Spare 360° Lenses for All-Round Lights



- Fits 1150-1154 and 1169-1172 Series Navigation Lights.
- Overall height 6-3/4".
- Diameter opening: 5-1/8".

Order No.	Mfg. No. / Description	Price
528807	(0261 001 CLR) White	\$181.98 F
528818	(0261 001 GRN) Green	\$181.98 F
528820	(0261 001 YLW) Yellow	\$181.98 F
528832	(0261 001 RED) Red	\$181.98 F

Perko Spare Lens Retaining Clip with Bolt

- Fits 1164-1168 and 1169-1172 Series Navigation Lights.

Order No.	Mfg. No. / Description	Price
529808	(1133) Spare Lens Retaining Clip with Bolt	\$27.98 F
529810	(1143) Spare Lens Gasket	\$13.98 F

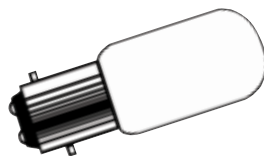
Perko Access Cap, O-ring and Retainer



- Fits 1169-1172, 1164-1168, 1127-1130, 1150-1154, 1129 (Panama Canal Blue Steering Light) and 1111 (Flashing Yellow Light) Series Navigation Lights.

Order No.	Mfg. No. / Description	Price
529860	(1105 000 BLK) Spare Access Cap, O-ring and Retainer	\$49.98 I
529872	(1119) Spare O-ring for Cap	\$8.98 F

Perko Fig. 374 Double Contact Bayonet Bulbs



- Clear Type T-8. C-8.
- Filament, length 1-3/8".
- Sold each. Standard pack 50.

Order No.	Mfg. No. / Description	Price
528387	(0374 001 CLR) 12 volt 30 watt	\$50.98 I
528399	(0374 002 CLR) 24 volt 30 watt	\$50.98 I
528402	(0374 003 CLR) 32 volt 30 watt	\$50.98 I
528414	(0374 004 CLR) 120 volt 30 watt	\$59.98 I

Perko Dual Medium Prefocus Socket Assembly



- Phenolic - 250 volts - 1,000 watts.
- Plug-in type - prewired with two medium prefocus socket.
- Overall height 3-7/8". Overall diameter 3-7/8".
- For use in double lens lights.
- Fits 1164-1168 Series Navigation Lights.

Order No.	Mfg. No. / Description	Price
529428	(0303)	\$268.98 F

Perko Medium Prefocus Socket



- Phenolic - 250 volts - 1,000 watts.
- Overall height 1-7/8". Overall diameter 1-1/2".
- Supplied with metal mounting cap tapped for 3/8" I.P.S.

Order No.	Mfg. No. / Description	Price
529404	(0347 A00)	\$70.98 F

Perko Fig. 342 Clear Medium Prefocus Bulbs



- Clear.
- Sold each. Standard pack 25.

Order No.	Mfg. No. / Description	Price
528250	(0342 001 CLR) 120 volt 15 watt	\$45.98 F
528262	(0342 002 CLR) 120 volt 25 watt	\$45.98 F
528274	(0342 003 CLR) 120 volt 40 watt	\$45.98 F
528286	(0342 004 CLR) 120 volt 60 watt	\$45.98 F
528289	(0342 024 CLR) 24 volt 55 watt	\$54.98 F
528292	(0342 220 CLR) 220 volt 65 watt	\$58.98 F

DESIGNED FOR ROUGH SERVICE

Order No.	Mfg. No. / Description	Price
528298	(0342 RS4 CLR) 120 volt 60 watt	\$61.98 F

Julian A. McDermott Anchor Lights



- Range: 1 nautical miles
- Mount: Magnetic, Stand-alone
- Light Source: High-powered LEDs
- Material: High-Impact polycarbonate
- Battery Life: 3 months, 6 months available
- Weight: 4 lbs.

Order No.	Mfg. No. / Description	Price
453201	(ANCHOR-RRDLX) Yellow	\$99.98 C
453213	(ANCHOR-RRDLX) Red	\$121.98 C



- Fun & Flotation
- Anchor & Dock
- Safety
- Electronics
- Trolling Motors
- Lighting
- Electrical
- Topside Acc.
- Cockpit & Deck
- Instruments
- Steering, Controls
- Perform.
- Fuel System
- Engine & Parts
- Engine Care
- Propellers
- Seating & Pedestals
- Tops & Covers
- Pumps
- Cleaning & Care
- Paint & Paint Acc.
- Hardware, Fasteners
- Trailering
- Misc.
- Comm.

Hubbell Non-Metallic Vaportight Incandescent Fixture



- Ceiling mount.
- UV resistant, gray, glass filled thermoplastic polyester box, mounting adapters and globe guards.
- Excellent temperature operating range of -40° F (-40° C) to +150° C.
- Heat resistant glass globe withstands thermal shock.
- High strength protective globe guard.
- UL listed including UL 1571 and UL 595.
- Accepts up to 150 watt type A incandescent bulb.
- Note: Bulb not included.
- Includes: Fixture, mounting box, guard and heat resistant glass globe.

Order No.	Mfg. No. / Description	Price
398102	(NVX15GHGA) Ceiling Mount	\$172.98 G
398203	(NVBA) Wall Mount Bracket	\$44.98 G
398215	(NVGA) Replacement Guard	\$55.98 G

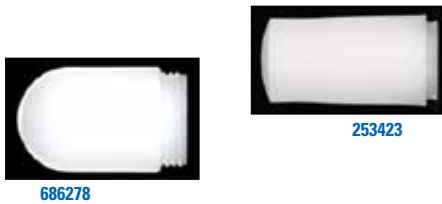
Pauluhn Lighting Wall Mount Incandescent Fixture



- Cast copper free aluminum housing and guard.
- Lamp holder: Medium base, high temperature PBT.
- Nickel plated copper screw shell.
- Compact fluorescent polycarbonate.
- Clear glass globe.
- Stainless steel hardware.
- Length 11".
- 6" globe.
- A-19, 100 watt lamp.
- UL Marine and USCG Approved.
- Note: Bulb not included.

Order No.	Mfg. No. / Description	Price
686381	(707A)	\$199.98 C

6" Plastic Globes for Deck Light



PRISM, FLAT TOP CYLINDER

Order No.	Mfg. No. / Description	Price
253423	(518 AMBER) Amber 5.1"	\$21.98 F

SMOOTH, ROUND TOP CYLINDER

Order No.	Mfg. No. / Description	Price
686278	(507 3/4 THR) Clear 5.1"	\$20.98 C
686280	(507 3/4 THRE) Amber 5.1"	\$21.98 C

Phoenix Non-Metallic Vaporproof Incandescent Fixtures



- Non-metallic, thermoplastic construction.
- Silicone gaskets provide vaportight seal.
- External screws and inserts made out of corrosion resistant brass.
- Clear glass globe.
- Housing and guard standard gray finish.
- UL 1598, 1598A, 844 Listed.
- USCG Accepted.
- Accepts incandescent lamps up to 150 watts.
- Note: Bulb not included.
- 120 volt.

Order No.	Mfg. No. / Description	Price
603800	(VPCINC120GLC) Ceiling Mount	\$158.98 LQ
603808	(VPWINC120GLC) Wall Mount	\$240.98 I

Pauluhn 6" Glass Globes



Order No.	Mfg. No. / Description	Price
686266	(COAC60) Clear	\$13.98 C
686331	(COAC63) Green	\$50.98 C
686343	(COAC65) Amber	\$38.98 C

Pauluhn Medium Screw Replacement Bakelite Sockets



- Four hole model fits current Pauluhn lights.
- Three hole model fits old Pauluhn and some old Perko lights.

Order No.	Mfg. No. / Description	Price
686367	(INX4000) Four Hole	\$31.98 C
537918	(INX4001) Three Hole	\$31.98 C

Pauluhn Replacement 6" Guards



Order No.	Mfg. No. / Description	Price
686230	(INX1036A) Aluminum	\$53.98 C
686242	(INX1036B) Brass	\$74.98 C

Fun & Flotation

Anchor & Dock

Safety

Electronics

Trolling Motors

Lighting

Electrical

Topside Acc.

Cockpit & Deck

Instruments

Steering, Controls

Perform.

Fuel System

Engine & Parts

Engine Care

Propellers

Seating & Pedestals

Tops & Covers

Pumps

Cleaning & Care

Paint & Paint Acc.

Hardware, Fasteners

Trailer

Misc.

Comm.

Cole Hersee Red Indicator Light with Smooth Lens



- Insulated.
- Single contact with ground wire for use on insulated panels.
- Chrome plated brass bezel 7/8" diameter. Lens 17/32" diameter.
- Mounting stem 3/4" diameter, 1-1/16" long.
- Supplied with 12 volt bulb.

Order No.	Mfg. No. / Description	Price
300587	(M-320-RC-BP)	\$23.98 H
219433	(181025) Spare Bulb	\$1.65 I

Cole Hersee Red Indicator Light with Faceted Lens



- Insulated.
- Double contact.
- Plated brass bezel 1-1/4" diameter.
- Lens 15/16" diameter.
- Mounting stem 7/8" diameter, 1-1/4" long.
- Supplied with 12 volt bulb.

Order No.	Mfg. No. / Description	Price
300602	(M-326-RC-BX)	\$33.98 H
219433	(181025) Spare Bulb	\$1.65 I

Optronics Courtesy/Utility Light



- Chrome plated ABS housing.
- Twist-in bulb socket with lead and ground wires.
- Dimensions: 3-3/4" W x 2-1/4" H.

Order No.	Mfg. No. / Description	Price
223149	(UL-71CS)	\$4.68 H

Perko Fig. 140 Surface Mount Utility Light



- Molded white plastic.
- Diffused light cover. Surface mount.
- Use for instruments, charts or general illumination.
- Length overall 1-7/8", width 9/16".
- Uses #6 fasteners.
- Complete with 12 volt, 1 watt bulb.

Order No.	Mfg. No. / Description	Price
534695	(0140 DPO NYN)	\$11.98 R

Attwood Surface Mount Utility Light



- For illuminating companionways, cockpits and other low-level lighting areas.
- Surface mount.
- Transparent polycarbonate lens can be removed for lamp service or replacement.
- Dimensions: 3-7/16" L x 1-13/16" H x 1-1/16" D.
- Base is pre-drilled for #8 screws.
- Includes: (1) 12 volt, 3.8 watt bulb.

Order No.	Mfg. No. / Description	Price
235564	(6314-3) Gray	\$14.98 G

Lumitec Andros Courtesy Lights



- Lumitec's Andros line of accent/courtesy lights are compact, attractive, surprisingly bright.
- White - powder coat.
- Illuminate counters, stairs or companionways.
- Completely sealed and IP67 compliant, these lights are also suitable for cockpits, hardtops, or illuminating helm stations.
- Dimensions: 1" W x 1" H x 1/2" D.
- 12 volt.

Order No.	Mfg. No. / Description	Price
378919	(101046) White Non Dimming	\$21.98 F
378922	(101047) Blue Non Dimming	\$21.98 F

Perko Fig. 1044 Flush Mount Utility Light with Snap on Front Cover



- Black or white molded polymer.
- Snap-on front cover conceals mounting screws.
- Diffusion lens.
- Flush mounting.
- Installs in a 1-3/4" diameter hole.
- Length 2-1/4", width 2-1/4". Uses #6 fasteners.
- Complete with 12 volt, 3 watt bulb.

Order No.	Mfg. No. / Description	Price
531600	(1044 DP1 BLK) Black Connection: 1/4" Spade	\$11.98 R
5315019	(1044 DP2 BLK) Black Connection: 7" Pig Tail Wire	\$11.98 H

T-H Marine L.E.D. Companion Way Lights



- Light pathways, steps and utility boxes economically!
- Opaque PC lens produces warm glow.
- Circuit board completely sealed in epoxy to resist water, corrosion and vibration.
- Low current draw, super long life span up to 100,000 hours.
- Easy surface mount. Dimensions: 2.6" long x 1.3" wide.
- Fasteners included.

Order No.	Mfg. No. / Description	Price
642506	(LED-51816-DP) Black Plastic Bezel 2 White LEDs	\$12.98 H
642509	(LED-51819-DP) White Plastic Bezel 2 White LEDs	\$12.98 I
642512	(LED-51818-DP) White Plastic Bezel 2 Red LEDs	\$12.98 I
642515	(LED-51822-DP) Chrome Bezel 2 White LEDs	\$14.98 I
642518	(LED-51820-DP) Chrome Bezel 2 Blue LEDs	\$14.98 I

T-H Marine L.E.D. Courtesy Companion Way Lights



- Recessed courtesy companion way lights provide light in a variety of uses.
- Great for compartments, rod lockers, gear bins, etc.
- Light a pathway or storage area.
- LEDs have low (15mA) draw and long life up to 100,000 hours.
- Frosted PC lens.
- Circuit board completely sealed in epoxy to resist water, corrosion and vibration.
- Dimensions: 2-1/4" x 2-1/4". Hole diameter: 1-3/4".
- Includes: 3 LEDs.

Order No.	Mfg. No. / Description	Price
642581	(LED-51876-DP) White Bezel White LED Exposed Fasteners	\$12.98 I
639840	(LED-51894-DP) Black Bezel White LED Hidden Fasteners	\$12.98 H
642587	(LED-51891-DP) Black Bezel White LED Hidden Fasteners	\$12.98 I

- Fun & Flotation
- Anchor & Dock
- Safety
- Electronics
- Trolling Motors
- Lighting
- Electrical
- Topside Acc.
- Cockpit & Deck
- Instruments
- Steering, Controls
- Perform.
- Fuel System
- Engine & Parts
- Engine Care
- Propellers
- Seating & Pedestals
- Tops & Covers
- Pumps
- Cleaning & Care
- Paint & Paint Acc.
- Hardware, Fasteners
- Trailering
- Misc.
- Comm.

Boater Sports L.E.D. Waterproof Utility Strip Lights



- White, Red, Blue, Green or Purple LED light with clear lens.
- 6 LED light is totally waterproof.
- Designed to use above or below the water line.
- Low amp draw, shock resistant.
- 12 volt wire connection is fully sealed.
- 10 year LED warranty.

Order No.	Mfg. No. / Description	Price
1-51600	(51600) White Length 4"	\$10.95 H
1-51601	(51601) Blue Length 4"	\$10.95 H
1-51602	(51602) Green Length 4"	\$10.95 H
1-51603	(51603) Red Length 4"	\$10.95 H
1-51645	(51645) Purple Length 4"	\$11.95 H
1-51605	(51605) White Length 6"	\$18.95 H
1-51606	(51606) Blue Length 6"	\$18.95 H
1-51607	(51607) Green Length 6"	\$18.95 H
1-51608	(51608) Red Length 6"	\$18.95 H
1-51610	(51610) White Length 8"	\$25.95 H
1-51611	(51611) Blue Length 8"	\$25.95 H
1-51612	(51612) Green Length 8"	\$25.95 H
1-51613	(51613) Red Length 8"	\$25.95 H

T-H Marine L.E.D. Oblong Courtesy Lights



- Attractive stainless bezel courtesy lights can be used virtually anywhere.
- Great for accent lighting, step, task, compartment, cabinet or courtesy lighting.
- Surface mount.
- Hidden fasteners.
- 3 bright LEDs provide excellent brilliance.
- Circuit board completely sealed in epoxy to resist water, corrosion and vibration.
- Dimensions: 3" L x 1.25" H.

Order No.	Mfg. No. / Description	Price
642521	(LED-51823-DP) 3 Blue LEDs	\$19.98
642524	(LED-51824-DP) 3 Red LEDs	\$19.98
642527	(LED-51825-DP) 3 White LEDs	\$19.98

Boater Sports L.E.D. Accent Lights



- From early morning fishing trips to evening cruises a little accent light goes a long way.
- Low profile and extremely energy efficient design make for a very versatile light.
- Fully sealed and rugged design means this light is perfectly at home in heavy traffic areas around the deck of your boat.
- Pre-wired pig tail wire harness for ease of installation.

Order No.	Mfg. No. / Description	Price
1-51945	(51945) Blue	\$4.95 H
1-51989	(51989) White	\$4.95 H

T-H Marine Slim Line L.E.D. Utility Strip Lights



642491



642497



642500

- Long lasting strip light is a multi-purpose solution!
- Excellent for lighting or decorating interior and exterior of boats, RVs and other vehicles.
- Submersible - 100% waterproof.
- Surface mounting.

Order No.	Mfg. No. / Description	Price
642491	(LED-51803-DP) 6 Red LEDs Length 4"	\$13.98 H
642486	(LED-51800-DP) 6 White LEDs Length 4"	\$13.98 H
642488	(LED-51801-DP) 6 Blue LEDs Length 4"	\$13.98 H
642494	(LED-51805-DP) 12 White LEDs Length 6"	\$22.98 H
642497	(LED-51806-DP) 12 Blue LEDs Length 6"	\$22.98 H
642500	(LED-51810-DP) 18 White LEDs Length 8"	\$28.98 H
642503	(LED-51811-DP) 18 Blue LEDs Length 8"	\$28.98 H

T-H Marine L.E.D. Rail Lights



- Features a rotating axis design to adjust the light to any desired direction.
- Circuit board coated with conformal coating to resist moisture, corrosion and vibration.
- Surface mount.
- Powder coated aluminum extrusion rail with molded mounting ends.
- Frosted lens pattern for uniform light distribution.
- Super bright, efficient, long lasting LEDs (up to 100,000 hours).
- Low power draw.

Order No.	Mfg. No. / Description	Price
642560	(LED-51857-DP) 12 Cool White LEDs Length 6"	\$26.98
642563	(LED-51858-DP) 24 Cool White LEDs Length 12"	\$38.98

T-H Marine Mini L.E.D. Dual Mount Courtesy Light



- They mount vertically or horizontally for low profile placement on steps, companionways, under cabinets, compartments and more.
- Low heat, low amp draw, non-corrosive, shock and water resistant.
- Stainless steel fasteners included.
- Dimensions: 2-1/8" L x 5/8" H x 1/2" W.

Order No.	Mfg. No. / Description	Price
642590	(LED-51880-DP) 3 White LEDs	\$11.98

- Fun & Flotation
- Anchor & Dock
- Safety
- Electronics
- Trolling Motors
- Lighting
- Electrical
- Topside Acc.
- Cockpit & Deck
- Instruments
- Steering, Controls
- Perform.
- Fuel System
- Engine & Parts
- Engine Care
- Propellers
- Seating & Pedestals
- Tops & Covers
- Pumps
- Cleaning & Care
- Paint & Paint Acc.
- Hardware, Fasteners
- Trailer
- Misc.
- Comm.

Attwood L6300 Series L.E.D. Interior and Exterior Light



- Stainless steel bezel with White LED color.
- Fully potted electronics and stainless steel housing allow for interior and exterior mounting - even underwater!
- Rated for 50,000+ hours of life.
- Diameter 1-1/2".
- 12 volt.



Order No.	Mfg. No. / Description	Price
235576	(6342SS7)	\$33.98 Q

Boater Sports L.E.D. Recessed Mount Light



- 3" LED round, recessed mount interior light.
- Includes: 3 Bezels (black, white and chrome plated).



Order No.	Mfg. No. / Description	Price
1-51654	(51654)	\$21.45 H

T-H Marine Recessed L.E.D. Puck Lights



- Low profile LED lights creates a smooth look!
- Ideal for cabin and compartment lighting in boats and RVs.
- Includes three bezels (chrome, black and white) to allow for interchangeable options.
- Recessed mounting.
- Circuit board sealed for water, corrosion and vibration resistance.
- Low amp draw.
- Diameter 3". Requires 2" hole diameter.



Order No.	Mfg. No. / Description	Price
642551	(LED-51847-DP) 9 White LEDs	\$30.98 I
642554	(LED-51848-DP) 9 Red LEDs	\$30.98 I
642557	(LED-51849-DP) 9 Blue LEDs	\$30.98 I

T-H Marine Stainless L.E.D. Puck Lights



- Highly polished 304 stainless steel housing for a rich, clean look.
- Ideal for use as ceiling, courtesy or task lighting.
- Clear polycarbonate engineered lens optics provide uniform and wide angle illumination.
- Surface mount on any flat surface. Hidden fasteners.
- Circuit board completely sealed for water, corrosion & vibration resistance.
- LEDs feature super long life-span up to 50,000 hours.



Order No.	Mfg. No. / Description	Price
642530	(LED-51827-DP) 4 Warm White LEDs Diameter 3"	\$39.98 I
642535	(LED-51828-DP) 4 Blue LEDs Diameter 3"	\$39.98 I
642536	(LED-51897-DP) 4 Red LEDs Diameter 3"	\$39.98 I
642539	(LED-51831-DP) 6 Warm White LEDs Diameter 4"	\$58.98 I
642542	(LED-51832-DP) 6 Blue LEDs Diameter 4"	\$58.98 I

Lumitec Mirage - Flush Mount Down Lights



- In field studies Mirage exceeded the output of 20W halogens by up to 300%.
- Completely sealed (IP67 compliant), makes it perfectly suited for a variety of indoor or outdoor overhead lighting needs.
- Dimensions: 3-1/4" W x 3-1/4" H.
- 500mA @ 12V DC. 270mA @ 12V DC.



POLISHED STAINLESS STEEL FINISH

Order No.	Mfg. No. / Description	Price
378881	(113118) White Dimming, Red and Blue Non Dimming	\$102.98 F
378884	(113119) Warm White Dimming	\$102.98 F

WHITE FINISH

Order No.	Mfg. No. / Description	Price
378887	(113128) White Dimming, Red and Blue Non Dimming	\$102.98 F
378890	(113129) Warm White Dimming	\$102.98 F

Lumitec Exuma - Courtesy Light



- Polished stainless steel.
- Compact, attractive, surprisingly bright.
- Use to illuminate counters, stairs & companionways.
- Diameter .98".
- Completely sealed and IP67 compliant, these lights are also suitable for cockpits, hardtops or illuminating helm stations.
- 45mA @ 12V DC.



Order No.	Mfg. No. / Description	Price
378764	(101050) Blue Non Dimming	\$21.98 E

Lumitec Orbit - Flush Mount Down Lights



- With a shallow-depth profile (less than 1/2" mounting depth) and a secure composite mounting system the lights are ideal for salons and staterooms, as well as helm stations, flybridges and hard tops.
- Fully sealed and IP67 compliant.
- Dimensions: 1.99" W x 1.99" H.
- 300mA @ 12V DC. 160mA @ 12V DC.



BRUSHED FINISH

Order No.	Mfg. No. / Description	Price
378893	(112500) White, Red, Blue and Purple Non Dimming	\$102.98 F
378896	(112503) White Non Dimming	\$51.98 F

WHITE FINISH

Order No.	Mfg. No. / Description	Price
378899	(112520) White, Red, Blue and Purple Non Dimming	\$102.98 F
378902	(112528) White Dimming, Red and Blue Non Dimming	\$102.98 F

Lumitec Shadow - Down Lights



- Polished stainless steel.
- Completely sealed (IP67 compliant).
- Compatible with 3rd party controllers including dimmers, flashers, and scene controllers.
- Dimensions: 3-1/2" W x 3-1/2" H.
- 490mA @ 12V DC. 250mA @ 12V DC.



Order No.	Mfg. No. / Description	Price
378875	(114118) White Dimming, Red and Blue Non Dimming	\$102.98 F
378878	(114119) Warm White Dimming	\$102.98 F

- Fun & Flotation
- Anchor & Dock
- Safety
- Electronics
- Trolling Motors
- Lighting
- Electrical
- Topside Acc.
- Cockpit & Deck
- Instruments
- Steering, Controls
- Perform.
- Fuel System
- Engine & Parts
- Engine Care
- Propellers
- Seating & Pedestals
- Tops & Covers
- Pumps
- Cleaning & Care
- Paint & Paint Acc.
- Hardware, Fasteners
- Trailering
- Misc.
- Comm.

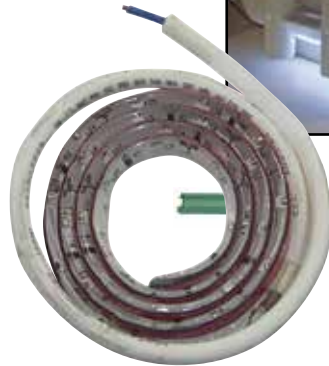
Marpac L.E.D. Flexible Light Strips



- Add light where it's needed! Like inside hatches engine compartment, boat interiors, under gunnels.
- 3M adhesive back sticks almost anywhere - no more screw holes.
- 90° bends possible.
- Trim to length, can be cut every 3 LED's (roughly every 2").

Order No.	Description	Price
7-6601	Blue 60 centimeters (1.97')	\$12.98 LQ
7-6603	White 60 centimeters (1.97')	\$12.98 G
7-6609	Blue 5 meter (16.4')	\$69.95 LQ

Boater Sports L.E.D. Flex Lights



Light Track

- 4 watt LED rope light is perfect for creating sharp angles and definition lines in your boat or camper; super bright, outdoor or indoor use.
- Low power drain.
- Cool to touch when in use.
- LED lights last up to 20x longer than regular bulbs.
- Available in varying lengths and able to be trimmed to fit any size or shape.

Order No.	Mfg. No. / Description	Price
1-51920	(51920) White Length 12"	\$9.97 H
1-51678	(51678) White Length 24"	\$16.95 H
1-51926	(51926) White Length 48"	\$29.95 H
1-51672	(51672) White Length 72"	\$33.95 H
1-51942	(51942) White Length 144"	\$81.98 Q
1-51921	(51921) Blue Length 12"	\$9.97 H
1-51677	(51677) Blue Length 24"	\$16.95 H
1-51927	(51927) Blue Length 48"	\$29.95 H
1-51671	(51671) Blue Length 72"	\$33.95 H
1-51943	(51943) Blue Length 144"	\$81.98 Q
1-51922	(51922) Red Length 12"	\$9.97 H
1-51924	(51924) Red Length 24"	\$16.95 H
1-51928	(51928) Red Length 48"	\$29.95 H
1-51930	(51930) Red Length 72"	\$33.95 H
1-51923	(51923) Green Length 12"	\$9.97 H
1-51925	(51925) Green Length 24"	\$16.95 H
1-51929	(51929) Green Length 48"	\$29.95 H
1-51931	(51931) Green Length 72"	\$33.95 H
1-51932	(51932) Blue/White Length 24"	\$15.95 H
1-51934	(51934) Blue/White Length 48"	\$27.95 H
1-51936	(51936) Blue/White Length 72"	\$36.95 H
1-51939	(51939) Light Track 3 pcs. x 4' with End Cap	\$21.98 H
1-51889	(51889) Light Track 6 pcs. x 4' with End Cap	\$38.98 H

Audiopipe Heavy Duty L.E.D. Light Strips



- Simple 2 wire hook up.
- Ultra bright LEDs.
- Flexible.
- Ideal use: Illuminating storage areas, engine compartments and under gunnels.
- Mounts with 3M marine grade adhesive and (2) stainless steel screws.

Order No.	Mfg. No. / Description	Price
559950	(MLDST-4GR) Length 4" Green	\$11.98 LQ
559955	(MLDST-4RD) Length 4" Red	\$15.98 LQ
559960	(MLDST-4WH) Length 4" White	\$11.98 LQ
559970	(MLDST-8GR-BT) Length 8" Green	\$19.98 LQ
559975	(MLDST-8RD-BT) Length 8" Red	\$19.98 LQ
559980	(MLDST-8WH-BT) Length 8" White	\$18.98 LQ
559990	(MLDST-12GR) Length 12" Green	\$22.98 LQ
559995	(MLDST-12RD) Length 12" Red	\$22.98 LQ
560010	(MLDST-20GR) Length 20" Green	\$33.98 LQ
560015	(MLDST-20RD) Length 20" Red	\$33.98 LQ

Heartland Marketing IP68 Light Track with Tap



- Polycarbonate IP68 Light Track with very high bond adhesive tape.

Order No.	Mfg. No. / Description	Price
560040	(HM1060) Length 4'	\$9.95 H

Heartland Marketing L.E.D. Light Strips



- IP68 LED strip with 60 LED per meter, 100% waterproof full silicone sleeve.

Order No.	Mfg. No. / Description	Price
560050	(HM2042) Blue Length 24'	\$69.95 H
560052	(HM2043) White Length 24'	\$69.95 H

- Fun & Flotation
- Anchor & Dock
- Safety
- Electronics
- Trolling Motors
- Lighting
- Electrical
- Topside Acc.
- Cockpit & Deck
- Instruments
- Steering, Controls
- Perform.
- Fuel System
- Engine & Parts
- Engine Care
- Propellers
- Seating & Pedestals
- Tops & Covers
- Pumps
- Cleaning & Care
- Paint & Paint Acc.
- Hardware, Fasteners
- Trailerling
- Misc.
- Comm.

Audiopipe Flexible/Cut-able L.E.D. Lighting



Audiopipe



- Great for any application where the lights are likely to get wet as they have a thicker and bulkier rubber housing which makes them completely weatherproof.
- Can be used on boats, ATV's, jet-skis, golf cars and just about anything else you might want to light up.
- Width: 0.7 cm, height: 1.25 cm.
- The rolls are marked every three LEDs which can be cut for exact sizing.

Order No.	Mfg. No. / Description	Price
559428	(NL-F1020CWBL) Blue Length 20"	\$17.98 LQ
559453	(NL-F1072CWBL) Blue Length 72"	\$65.98 LQ
559433	(NL-F1010CWWH) White Length 10"	\$11.98 LQ
559452	(NL-F1072CWWH) White Length 72"	\$65.98 LQ
559815	(NL-F1010CWGR) Green Length 10"	\$11.98 LQ
559476	(NL-F10TRACK) 6' Track to Mount Any NL-F10 Series	\$12.98 LQ

Audiopipe Flexible/Cut-able L.E.D. Lighting



Audiopipe



- Great for motorcycles, engine bays and interior lighting.
- These strips are very easy to install as they come with 3M double sided tape.
- Width: 1 cm, height: 0.25 cm.
- The rolls are marked every three LEDs which can be cut for exact sizing.

Order No.	Mfg. No. / Description	Price
559384	(NL-F512CB-BL) Blue Length 12"	\$10.98 LQ
559392	(NL-F524CB-BL) Blue Length 24"	\$17.98 LQ
559399	(NL-F524CB-RD) Red Length 24"	\$17.98 LQ
559422	(NL-F512CB-WH) White Length 12"	\$10.98 LQ
559423	(NL-F524CB-WH) White Length 24"	\$17.98 LQ

T-H Marine L.E.D. Flex Strip Rope Lights



- Add WOW to your boat!
- Great for lighting a deck or under the gunwale areas.
- Quality 3M backing tape for mounting anywhere.
- Can be cut to lengths.
- Moisture and water resistant.
- Low amp draw won't run batteries down.

Order No.	Mfg. No. / Description	Price
642599	(LED-51946-DP) White LEDs Length 12"	\$11.98 I
642602	(LED-51947-DP) Blue LEDs Length 12"	\$11.98 I
642605	(LED-51948-DP) Red LEDs Length 12"	\$11.98 I
642608	(LED-51949-DP) Green LEDs Length 12"	\$11.98 I
642611	(LED-51950-DP) White LEDs Length 24"	\$19.98 H
642614	(LED-51951-DP) Blue LEDs Length 24"	\$19.98 H
642617	(LED-51952-DP) Red LEDs Length 24"	\$19.98 H
642620	(LED-51965-DP) Green LEDs Length 24"	\$19.98 H
642623	(LED-51953-DP) White LEDs Length 48"	\$34.98 H
642626	(LED-51954-DP) Blue LEDs Length 48"	\$34.98 H
642629	(LED-51955-DP) Red LEDs Length 48"	\$34.98 H
642632	(LED-51966-DP) Green LEDs Length 48"	\$34.98 H
642635	(LED-51956-DP) White LEDs Length 72"	\$49.98 H
642638	(LED-51957-DP) Blue LEDs Length 72"	\$49.98 H

Heartland Marketing Blue L.E.D. Pontoon Under-Deck Kit

Heartland Marketing



- Includes:
 - (2) 24' Blue IP68 LED Strips with waterproof plugs.
 - 48' of plastic channel for LED Strips to mount in. Plastic channels include very high bond tape for mounting.
 - Installation instructions.
 - Complete wire harness with waterproof plugs.

Order No.	Mfg. No. / Description	Price
560042	(HM1074)	\$269.95 G

Heartland Marketing RGB L.E.D. Pontoon Under-Deck Kit

Heartland Marketing



- Includes:
 - (2) 24' RGB IP68 LED Strips with waterproof plugs.
 - 48' of plastic channel for LED Strips to mount in. Plastic channels include very high bond tape for mounting.
 - Complete RGB Under-Deck wire harness with waterproof plugs.
 - RGB Controller and RF Remote Control - works up to 40 meters. All plug and play.
 - Installation instructions.

Order No.	Mfg. No. / Description	Price
560044	(HM1076)	\$399.95 E

- Fun & Flotation
- Anchor & Dock
- Safety
- Electronics
- Trolling Motors
- Lighting
- Electrical
- Topside Acc.
- Cockpit & Deck
- Instruments
- Steering, Controls
- Perform.
- Fuel System
- Engine & Parts
- Engine Care
- Propellers
- Seating & Pedestals
- Tops & Covers
- Pumps
- Cleaning & Care
- Paint & Paint Acc.
- Hardware, Fasteners
- Trailering
- Misc.
- Comm.

Marpac L.E.D. Baitwell Lights



- Single LED diode accent lights provide as much light output as a conventional 12 volt incandescent bulb.
- Draws at least 10 times less power than incandescents.
- Completely sealed for use in livewells.
- Requires 7/8" diameter hole for mounting.

Order No.	Description	Price
7-0077	White	\$9.98 G
7-0078	Blue	\$9.98 G

Boater Sports L.E.D. Submersible Utility/Livewell Light



- Cool white with clear lens.
- Single LED light is totally waterproof.
- Designed to be used above or below water line.
- Through wall mounting.
- Dimensions: 1.25" x 1.25".

Order No.	Mfg. No. / Description	Price
1-51114	(51114)	\$6.50 H

T-H Marine L.E.D. Flush Head Livewell Lights



- Waterproof, super bright LED designed for livewells, lockers or compartments.
- Can be used above or below the water level with through wall mounting.
- Also great for accent and courtesy lighting!
- Impact resistant lens with wide viewing angle.
- 1 LED with diffuser lens.
- Pigtail connection, 12 volt.

Order No.	Mfg. No. / Description	Price
642575	(LED-51874-DP) White	\$12.98 I
642578	(LED-51875-DP) Blue	\$12.98 I

Heartland Marketing L.E.D. Garboard Drain Lights



- 1,200 Lumens LED underwater light threads into existing garboard drain notes.
- Comes with 5' of wiring cable.

Order No.	Mfg. No. / Description	Price
560046	(HM2033) Blue	\$97.95 H
560048	(HM2034) White	\$97.95 H

Marpac L.E.D. High Intensity Underwater Lights



- 6 Super Bright LED's.
- Includes surface mount.
- Low amp draw. High intensity.
- No burning filament
- Pig tail wire connection.

- Stainless steel hardware included.
- Can be used above or below the waterline.

Order No.	Description	Price
7-6620	White 1.5" x 3.5" Oval	\$27.98 H
7-6622	Blue 1.5" x 3.5" Oval	\$27.98 H
7-6624	Green 1.5" x 3.5" Oval	\$27.98 H

T-H Marine L.E.D. High Intensity Underwater Lights



- Low amp draw, 10,000 hour life.
- Totally waterproof and designed to be used above or below the waterline.
- A broad flood light effect is created by the engineered optics of this convex light face.
- Surface mount or small hole for wiring. Stainless steel hardware included.
- Surface dimensions: 3.5" x 1.5".

Order No.	Mfg. No. / Description	Price
642566	(LED-51866-DP) 6 White LEDs	\$35.98 H
642569	(LED-51867-DP) 6 Blue LEDs	\$35.98 H
642572	(LED-51868-DP) 6 Green LEDs	\$35.98 H

Boater Sports L.E.D. High Intensity Underwater Lights



- Totally waterproof and designed to be used above or below waterline.
- The convex glass creates a flood effect.
- The LED design draws less amperage.
- Includes surface option mounting pad.
- Dimensions: 3.5" L x 1.5" W.

Order No.	Mfg. No. / Description	Price
1-51088	(51088) White	\$27.95 H
1-51089	(51089) Blue	\$27.95 H
1-51090	(51090) Green	\$27.95 H

Boater Sports High Intensity L.E.D. Underwater Light - Oval



- Incredibly bright.
- Low battery draw for extended use.
- Great looks and unsurpassed quality are coupled with smart engineering to provide one of the best underwater lights available today.
- Packed with amazing features such as fully sealed construction, precision fit stainless steel bezel, and internal thermal protection, this light will never let you down.
- Installation is simplified with detailed instructions, stainless steel hardware, and double insulated wiring harness included.
- 6 watts.

Order No.	Mfg. No. / Description	Price
1-51751	(51751) Blue	\$49.95 H

S & M Marine Products Underwater Lights



- 3/16 stainless light with stainless steel bracket.
- 600 lumens.

326352

326350

FIBERGLASS UNDERWATER LIGHTS

Order No.	Mfg. No. / Description	Price
326350	(SM227-BLU) Blue	\$70.98 H
326351	(SM227-GRN) Green	\$70.98 H

PONTOON UNDERWATER LIGHTS

Order No.	Mfg. No. / Description	Price
326352	(SM322-BLU) Blue	\$62.98 H
326353	(SM322-GRN) Green	\$62.98 H

- Fun & Flotation
- Anchor & Dock
- Safety
- Electronics
- Trolling Motors
- Lighting
- Electrical
- Topside Acc.
- Cockpit & Deck
- Instruments
- Steering, Controls
- Perform.
- Fuel System
- Engine & Parts
- Engine Care
- Propellers
- Seating & Pedestals
- Tops & Covers
- Pumps
- Cleaning & Care
- Paint & Paint Acc.
- Hardware, Fasteners
- Trailer
- Misc.
- Comm.

Marpac High Intensity Underwater Lights



- Stainless steel housing.
- Sealed and watertight.
- For underwater use ONLY.
- High lumens.
- Easy install.
- Low amp draw.
- No burning filament.
- Pig tail wire connection.

Order No.	Description	Price
7-6630	White 3.5" Round	\$61.98 H
7-6632	Blue 3.5" Round	\$61.98 H
7-6634	Green 3.5" Round	\$61.98 H

Lumitec SeaBlaze 3 - L.E.D. Underwater Lights



- Brushed finish.
- Surface mount for fast easy installation.
- Dimensions: 3.9" W x 3.9 H x .79" D.
- Voltage: 10 to 30V DC.
- 2.7A @ 12V DC, 1.3A @ 24V DC.

SINGLE COLOR MODEL

Order No.	Mfg. No. / Description	Price
378820	(101055) White Non Dimming	\$312.98 F
378821	(101056) Blue Non Dimming	\$312.98 F
378825	(101057) Green Non Dimming	\$312.98 F

DUAL COLOR MODEL

- Intelligent microprocessor driven circuitry allows for 2 color operation - select white, blue, or white and blue simultaneously.

Order No.	Mfg. No. / Description	Price
378833	(101058) White and Blue Non Dimming	\$312.98 F

Lumitec SeaBlaze X - L.E.D. Underwater Lights



- Bronze finish.
- Completely surface mount, the SeaBlazeX housing is constructed of a carefully formulated bronze alloy with a designed underwater service life of more than 50 years.
- The circuitry is completely self-contained and tested to rigorous military standards for EMI, transient voltages, temperature extremes, and mechanical shock and vibration.
- Exclusive thermal foldback technology ensures the light can operate above water indefinitely without damage.
- And with a lower profile and smaller footprint than most other lights, mounting options are no longer limited to wide flat transom areas.
- Dimensions: 3.94" W x 3.94 H x .73" D.
- Voltage: 10 to 30V DC.
- 3.6A @ 12V DC, 1.7A @ 24V DC.

Order No.	Mfg. No. / Description	Price
378863	(101140) White, White Fade, White Strobe	\$430.98 F
378866	(101143) Green, Green Fade, Green Strobe	\$430.98 F
378869	(101142) Blue, Blue Fade, Blue Strobe	\$430.98 F
378872	(101141) Random Cross Fade, White Non Dimming, Blue Non Dimming, White & Blue Non Dimming, Random Strobe	\$430.98 F

Boater Sports L.E.D. Underwater Lights



- 12 watt, 6 LEDs.
- Stainless steel.
- Includes: Gasket, hardware, epoxy cover and stainless housing.
- 800+ Lumens.

Order No.	Mfg. No. / Description	Price
1-51094	(51094) White	\$59.95 H
1-51095	(51095) Blue	\$59.95 H
1-51097	(51097) Green	\$59.95 H

Lumitec SeaBlaze Mini - L.E.D. Underwater Lights



- Brushed finish.
- SeaBlaze Mini leverages many of the technologies utilized in the world's most popular underwater light, the SeaBlaze3, to ensure years of trouble free service.
- With an actual MEASURED output of more than 700 lumens, there is simply no better value in underwater lighting.
- Perfect for smaller trailer boats, skiffs, or dinghies.
- Dimensions: 2.98" W x 2.98 H x 1.5" D.
- 990mA @ 12V DC, 450mA @ 24V DC.
- Sold as a pair.

Order No.	Mfg. No. / Description	Price
378857	(101245) White Non Dimming	\$292.98 F
378860	(101246) Blue Non Dimming	\$292.98 F

Lumitec High Intensity "Anywhere" Lights



- Quality aluminum brushed housing with Type II anodizing for an appealing satin look.
- Surface mount. Completely sealed, IP67 compliant.
- Diameter 1.73".
- Voltage: 10 to 30V DC.
- 315mA @ 12V DC, 175mA @ 24V DC.

Order No.	Mfg. No. / Description	Price
378754	(101033) White Non Dimming	\$39.98 E
378756	(101034) Blue Non Dimming	\$39.98 E

Briter L.E.D. Underwater Lights



- Powerful LED underwater light made with high quality marine grade 316 stainless steel.
- This light adds ambiance to your boat and attracts fish.
- Surface mount. Fastens with 8 x 1 tapered screws.

Order No.	Mfg. No. / Description	Price
350010	(BL-GR) Green 3-1/2" Diameter x 5/8" H	\$129.98 LQ
350012	(BL-WH) White 3-1/2" Diameter x 5/8" H	\$65.98 LQ
350020	(CY-GR) Green 4-5/8" Diameter x 1-1/16" H	\$229.98 LQ
350022	(CY-WH) White 4-5/8" Diameter x 1-1/16" H	\$229.98 LQ

Fun & Flotation

Anchor & Dock

Safety

Electronics

Trolling Motors

Lighting

Electrical

Topside Acc.

Cockpit & Deck

Instruments

Steering, Controls

Perform.

Fuel System

Engine & Parts

Engine Care

Propellers

Seating & Pedestals

Tops & Covers

Pumps

Cleaning & Care

Paint & Paint Acc.

Hardware, Fasteners

Trailer

Misc.

Comm.

Marpac Dome Lights



- Polished stainless steel housing and trim ring with solid glass lens.
- Prewired with an on/off switch.
- 12 volt, 15 watt bulbs included.

Order No.	Description	Price
7-0578	Lens Diameter 4" Outside Diameter: 5-1/2"	\$21.98 G
7-0601	Lens Diameter 5" Outside Diameter: 6"	\$31.98 R

Perko Fig. 1263 Exterior Surface Mount Dome Light



- Three position toggle switch.
- Ivory Perko - Kote zinc alloy with red & white bulbs.
- Lens OD 4", base OD 5", depth 1-7/8".
- Uses #10 R.H. fasteners.
- Complete with 12 volt, 11 watt bulb.

Order No.	Mfg. No. / Description	Price
544468	(1263 DP1 WHT)	\$78.98 R

Perko Fig. 1253 Exterior Surface Mount Dome Light



- Ivory Perko - Kote zinc alloy.
- White translucent polymer lens.
- Double contact bayonet socket.
- Black vinyl mounting gasket.
- Push switch with water resistant boot.
- Dimensions 6".
- Depth overall 2".
- Uses #12 R.H. fasteners.
- Complete with 12 volt, 17 watt bulb.

Order No.	Mfg. No. / Description	Price
533813	(1253 DP2 WHT)	\$61.98 R
219572	(181205) Spare Bulb	\$2.12 I

Perko Fig. 300 Surface Mount Dome Lights



- Chrome plated zinc alloy.
- Clear polymer lens.
- Double contact bayonet socket.
- Push switch with water resistant boot.

LENS OD 4". BASE OD 5". DEPTH OVERALL 1-7/8".

- Uses #10 R.H. fasteners. Complete with 12 volt, 11 watt bulb.

Order No.	Mfg. No. / Description	Price
536889	(0300 DP1 CHR)	\$54.98 R

LENS OD 5". BASE OD 6". DEPTH OVERALL 2".

- Uses #12 R.H. fasteners. Complete with 12 volt, 17 watt bulb.

Order No.	Mfg. No. / Description	Price
536891	(0300 DP2 CHR)	\$61.98 R

Perko Fig. 1258 Round Surface Mount Dome Light



- Chrome plated zinc alloy.
- White translucent polymer lens.
- Adjustable dimmer.
- Dimensions 3-3/4", overall depth 1-1/4".
- Uses #8 R.H. fasteners.
- Complete with 12 volt, 10 watt bulb.

Order No.	Mfg. No. / Description	Price
544367	(1258 DP2 CHR)	\$40.98 R
541626	(0070 DPO CLR) Spare Bulbs, 2 Per Pack	\$12.98 R

T-H Marine L.E.D. Surface Mount Dome Lights



- Ideal for interior use on boats and RVs!
- UV stable white housing resists color fading.
- Hidden fasteners. On/off rocker switch on bezel.
- Diameter 4".
- Super Flux (P4) type LEDs, super bright with long life span of up to 100,000 hours.

Order No.	Mfg. No. / Description	Price
642545	(LED-51829-DP) 15 Cool White LEDs	\$36.98 I
642548	(LED-51830-DP) 6 Red/9 White LEDs	\$39.98 I

- Fun & Flotation
- Anchor & Dock
- Safety
- Electronics
- Trolling Motors
- Lighting
- Electrical
- Topside Acc.
- Cockpit & Deck
- Instruments
- Steering, Controls
- Perform.
- Fuel System
- Engine & Parts
- Engine Care
- Propellers
- Seating & Pedestals
- Tops & Covers
- Pumps
- Cleaning & Care
- Paint & Paint Acc.
- Hardware, Fasteners
- Trailer
- Misc.
- Comm.

Lumitec Aurora - Dome Lights



- Clean look, an intuitive and reliable switch.
- IP67 immersion protection.
- Dimensions: 4" W x 4" H x .73" D.
- Voltage: 10 to 30V DC.
- 290mA @ 12V DC, 160mA @ 24V DC.

Order No.	Mfg. No. / Description	Price
378905	(101075) White Dimming Blue Dimming White Finish	\$98.98 F
378910	(101076) White Dimming Red Dimming White Finish	\$98.98 F
378913	(101138) White Dimming Blue Dimming Polished SS Finish	\$112.98 F
378916	(101139) White Dimming Red Dimming Polished SS Finish	\$112.98 F

Perko Fig. 217 Bulkhead Light Fixture



- Chrome plated zinc alloy. Medium screw socket.
- Turn switch. For systems up to 50 volts.
- Base dimensions: 2-1/2" x 1-3/4".
- Projection less bulb: 2-5/8". Uses #6 R.H. fasteners.
- Note: Bulb not included.

Order No.	Mfg. No. / Description	Price
535697	(0217 DPO CHR)	\$28.98 R

Phoenix Marine Rated 4' Fluorescent Fixture



- Corrosion free, impact resistant, UV stabilized nylon housing.
- Stainless steel external hardware.
- Thermoset high reflectance, white polyester powder coated reflector.
- Vibration-resistant spring-loaded lamp holders.
- Accommodates (2) 4' fluorescent lamps.
- 120 volt, 32 watt.
- UL 1598, 1598A, 924 Listed. ABS. USCG Accepted.

Order No.	Mfg. No. / Description	Price
603795	(LFSB232) Length 4'	\$458.98 F

Davis Instruments LightShip - Portable Solar-Powered L.E.D. Interior Light



- Three suction cups hold the light in place.
- LightShip installs easily using three powerful suction cups that face the solar cell to the sun.
- Three bright white LEDs provide enough light for reading.
- Or switch to one, single red LED for night light function.
- Unit can also be switched off to store up energy for future use.
- Built-in light sensor switches LightShip off automatically during daylight hours.
- LightShip is made of tough polycarbonate with a clear, molded lens and reflector to maximize LED intensity.
- For interior use only.

Order No.	Mfg. No. / Description	Price
323468	(3460)	\$24.98 F

Phoenix Low Profile, Hazardous Rated 2' Fluorescent Fixture



- Marine-grade aluminum housing.
- Ribbed acrylic lens.
- White thermoset powder coat paint.
- Vibration-resistant, twist-lock lamp holders.
- Accommodates (2) 2' fluorescent lamps.
- 120 volt, 17 watt.
- UL 1598, 1598A, 844 Listed. CSA Certified.
- USCG Accepted.

Order No.	Mfg. No. / Description	Price
603793	(LFL217) Length 2'	\$486.98 LQ

Moern Series VT Fluorescent Fixtures - Vaportite



- Dust and moisture resistant.
- Virtually unbreakable fiberglass housing provides superior corrosion resistance.
- No drilling necessary with external brass studs.
- White molded end plugs snap and lock to maintain tight seal of unused end holes.
- High impact acrylic diffuser held with positive cam latches.
- Continuous poured in place gasket.
- 120 volt. 2 lamp. Note: Lamps not included.
- No joints to open.
- UL listed for damp location.

Order No.	Mfg. No. / Description	Price
603743	(VT-217-ELO) Length 2'	\$162.98 F
603755	(VT-232-ELO) Length 4'	\$166.98 F
603767	(H92) Stainless Steel Clips	\$5.98 E
603779	(L293) Replacement Lens for 2' Fixture	\$45.98 E
603785	(L196) Replacement Lens for 4' Fixture	\$57.98 E

SPECIAL HANDLING MAY APPLY



- Fun & Flotation
- Anchor & Dock
- Safety
- Electronics
- Trolling Motors
- Lighting
- Electrical
- Topside Acc.
- Cockpit & Deck
- Instruments
- Steering, Controls
- Perform.
- Fuel System
- Engine & Parts
- Engine Care
- Propellers
- Seating & Pedestals
- Tops & Covers
- Pumps
- Cleaning & Care
- Paint & Paint Acc.
- Hardware, Fasteners
- Trailering
- Misc.
- Comm.

- Fun & Flotation
- Anchor & Dock
- Safety
- Electronics
- Trolling Motors
- Lighting
- Electrical
- Topside Acc.
- Cockpit & Deck
- Instruments
- Steering, Controls
- Perform.
- Fuel System
- Engine & Parts
- Engine Care
- Propellers
- Seating & Pedestals
- Tops & Covers
- Pumps
- Cleaning & Care
- Paint & Paint Acc.
- Hardware, Fasteners
- Trailer
- Misc.
- Comm.

Industrial LED Solutions L.E.D. Light - Polar Bear Series



- The LED is clung to the enclosure, which can make the heat dissipation very fast. Lowering the junction temp.
- External constant current driver, ensures better heat dissipation.
- Copper free aluminum alloy enclosure. Has high anti-impact performance can endure a 20J impact.
- OSRAM LED source, high efficacy and lumen output.
- Typical application include Gas station, manufacturing plants, and certain chemical and petrochemical processing facilities, sewage treatment plants, off-shore and dockside installations, garages and storage facilities.

Order No.	Mfg. No. / Description	Lumens	Price
S/O	(PB80G) 80 watt	9570	Call for Price
S/O	(PB120G) 120 watt	13662	Call for Price
S/O	(PB240G) 240 watt	27280	Call for Price

STANCHION MOUNT

Order No.	Mfg. No. / Description	Price
S/O	(PB-BR-G)	Call for Price

Industrial LED Solutions L.E.D. Light - Swordfish Series



- The LED is clung to the enclosure, which can make the heat dissipation very fast. Lowering the junction temp.
- Aluminum alloy enclosures gives high performance of anti-impact. Can endure a 10J impact.
- Copper-free aluminum enclosure, anti-corrosion. Suitable for many different applications and climates.
- OSRAM LED source, high efficacy and lumen output.
- Applications: Petroleum industry, petrochemical industry, metallurgical industry, power generation industry, power transmission industry, machine manufacturing, etc.

Order No.	Mfg. No. / Description	Length	Watt	Lumens	Price
S/O	(SF48600-G)	Length 24"	48 watt	5280	Call for Price
601460	(SF561200)	Length 48"	56 watt	6160	\$893.98 C

WITH BATTERY BACKUP

Order No.	Mfg. No. / Description	Length	Watt	Lumens	Price
S/O	(SF18/18600-ON-E-G)	Length 24"	18/18 watt	1980	Call for Price
601472	(SF561200-ONE)	Length 48"	58/18 watt	6160	\$1,104.98 C

STANCHION MOUNT

Order No.	Mfg. No. / Description	Price
601484	(SF-BR)	\$75.98 C

Industrial LED Solutions L.E.D. Light - Golden Frog Series



- Reduces the number of luminaires needed by providing excellent efficacy. Putting more light where you need it.
- Anti-Glare, Shock and Vibration resistant tempered Glass. Reduces risk of premature failure.
- High efficacy lumen output and high CRI.
- Driver assemblies are designed to provide reliable operation even in the harshest environments.
- High strength aluminum alloy enclosure can endure 20J impact and is made for wet and corrosive environments.

Order No.	Mfg. No. / Description	Lumens	Price
S/O	(GF60-G) 60 watt	6160	Call for Price

STANCHION MOUNT

Order No.	Mfg. No. / Description	Price
S/O	(GF-BR-G)	Call for Price

Jabsco Quartz Floodlights



- Rugged housing of heavy duty die-cast aluminum.
- Reflector has superior anodic finish with diffused finish to provide wide beam spreads.
- Silicone gaskets weatherproof all critical points.
- Corrosion resistant hardware used on all exposed surfaces.
- Factory prewired with silicone glass braided wires extending 6" from stem.

Order No.	Mfg. No. / Description	Price
413601	(14780-0001) Standard, Jabsco	\$110.98 G
415934	(QL500K) 300/500 watt, Hubell	\$79.98 C
413637	(1000779) Spare Bulb, 32 volt, 300 watt	\$33.98 G
219813	(1018C) Spare Bulb, 130 volt, 500 watt	\$5.98 I

Anderson Marine Floodlight



- Rubber molded housing cushions a flush-mount, par 36 sealed beam from shock and vibration.
- Universal 5/16" mounting stud and adjustable zinc-plated bracket allow mounting in any position.
- 10" lead wire exits through back of housing.

Order No.	Mfg. No. / Description	Price
223622	(3184)	\$24.98 F

Marpac Halogen Floodlight



- Stainless steel bracket with hardware and nylon housing.
- Dimensions: 4-1/2" x 7".
- Mounts with 1/4" screw.
- H3, 12 volt, 55 watt halogen bulb (7-9001).

Order No.	Description	Price
7-0043	Halogen Floodlight	\$37.98 H
7-9001	Spare Bulb	\$8.98 G

Marpac Adjustable Spreader Light

- Polished stainless steel housing.
- Length 4-1/2".
- 12 volt.
- 55 watt halogen beam.

Order No.	Description	Price
7-0082	Adjustable Spreader Light	\$50.98 LQ
7-9001	Spare Bulb	\$8.98 G

Aqua Signal Commercial Halogen Floodlight



- Seamless deep drawn stainless steel.
- Powder coated white enamel. Clear safety glass.
- External junction box with watertight cable gland(s).
- Dimensions: 14.8" x 12".
- USCG Accepted tested and certified according to UL595, UL File E71486.
- 120 volt, 500 watt.
- Note: Bulb not included.

Order No.	Mfg. No. / Description	Price
210500	(1069040)	\$745.98 Q

Optronics 5" Utility Work Light



- Shock proof rubber housing.
- Steel bracket, 5/16" mounting post.
- Dimensions: 4.75" x 4.75" x 2.5".
- 12 volt.

Order No.	Mfg. No. / Description	Price
222812	(TL-10SS)	\$22.98 LQ

Jabsco Tungsten Halogen Floodlights



- Ideal for lighting deck or work surface from cabin top, spoiler or Tuna Tower.
- Unique trapezoidal light beam allows light to spread with even intensity when lamp is mounted from above at one end of a work area.
- 12 volt, 50 watt.

Order No.	Mfg. No. / Description	Price
413512	(45900-1000) White Housing Dimensions: 3" x 5"	\$80.98 G
413500	(45900-0000) White Housing Dimensions: 4" x 6"	\$107.98 G
413562	(45903-0002) Spare Bulb for 413512	\$53.98 F
413550	(45903-0000) Spare Bulb for 413500	\$84.98 F

- Fun & Flotation
- Anchor & Dock
- Safety
- Electronics
- Trolling Motors
- Lighting
- Electrical
- Topside Acc.
- Cockpit & Deck
- Instruments
- Steering, Controls
- Perform.
- Fuel System
- Engine & Parts
- Engine Care
- Propellers
- Seating & Pedestals
- Tops & Covers
- Pumps
- Cleaning & Care
- Paint & Paint Acc.
- Hardware, Fasteners
- Trailering
- Misc.
- Comm.

Marpac L.E.D. Advantage Floodlights



- 5 high power LED's produce 1050 Lumens of super bright coverage.
- Low power draw - almost 80% less than a 55 watt Halogen.
- Expected life of more than 22,000 hours.
- Completely sealed and water resistant to IP 67 specifications.
- Rugged die cast, powder coated aluminum housing with stainless steel mounting hardware.
- Measures approximately 1-7/8" H x 5-3/4" - about half the size of halogens.

Order No.	Description	Price
7-0037	White	\$59.98 G
7-0038	Black	\$59.98 G

Boater Sports L.E.D. Docking/Spreader Light



- LED docking lights.
- Rustproof and impact resistant housing.
- Brighter than standard sealed beams and last longer.
- Clear lenses for maximum light.
- Dimensions: 4" x 1-3/8".
- Sold in pairs.

Order No.	Mfg. No. / Description	Price
1-51193	(51193) White	\$109.95 E

Lumitec Caprera - L.E.D. Cockpit Floodlight



- Perfect replacement for 55 watt halogens.
- Powder coated die cast aluminum housing.
- Correlated color temperature: 6,500.
- Lumens (White): 530.
- Voltage: 10 to 30V DC.
- Dimensions: 4.49" W x 1.65" H x 2.83" D.
- IP67 Compliant. Certified Ignition Protected.

Order No.	Mfg. No. / Description	Price
378830	(101040) White Finish	\$176.98 F

Lumitec Caprera2 - L.E.D. Floodlight



- New two-color technology provides amazing white output with elegant blue and night vision-preserving red.
- Correlated color temperature: 5,000.
- Lumens (White): 1,000. Voltage: 10 to 30V DC.
- Dimensions: 4.49" W x 1.65" H x 2.83" D.
- IP67 Compliant. Certified Ignition Protected.
- Our exclusive DeckSweep technology puts the light where you need it most, providing for up to twice the useable light of competitors.

Order No.	Mfg. No. / Description	Price
378842	(101102) White Dimming, Blue Dimming, White Finish	\$176.98 F
378845	(101103) White Dimming, Red Dimming, White Finish	\$176.98 F

T-H Marine L.E.D. Super Spreader Light



- 5 super high intensity 1 watt LEDs.
- 1150 lumens of light output.
- Great for new installations or replacing 55 watt halogen flood lights.
- Power consumption 80% lower than incandescent lights.
- Die cast aluminum housing, powder coated white.
- White housing with stainless steel mounting bracket and hardware.
- Optical grade PMMA lens.
- Super long life up to 30,000 hours. Color temperature: 6000K.
- Completely sealed with waterproof rating: IP67.
- Simple, single bolt installation.
- Operating voltage: 10-30V DC.

Order No.	Mfg. No. / Description	Price
642596	(LED-51914-DP)	\$180.98 I

Boater Sports L.E.D. Spreader Light



- With over 2000 Lumens you can light up the night.
- LED technology provides minimum draw on batteries to prevent you being stranded.
- Heavy duty aluminum housing with fully sealed construction means these lights will stay shining through anything you throw at them.
- Includes stainless steel mounting bracket and hardware.

Order No.	Mfg. No. / Description	Price
1-51454	(51454) Twin Pack, Black	\$99.95 Q

Lumitec CapreraLT - L.E.D. Floodlight



- Compatible with most PWM LED dimmers.
- Correlated color temperature: 5,000.
- Lumens (White): 1,000. Voltage: 10 - 30 VDC.
- Dimensions: 4.94" W x 1.75" H x 1.75" D.
- IP67 Compliant. Certified Ignition Protected.
- Rigorously tested for shock and vibration, water ingress, impact, weatherability, electromagnetic radiation and susceptibility and overall durability.

Order No.	Mfg. No. / Description	Price
378831	(101292) White Finish	\$112.98 F

Lumitec Capri2 - Flush Mount L.E.D. Floodlight



- New two-color technology provides amazing white output with elegant blue and night vision-preserving red.
- Correlated color temperature: 5,000.
- Lumens (White): 1,000. Voltage: 10 to 30V DC.
- Dimensions: 4.49" W x 1.65" H x 1.57" D.
- IP67 Compliant. Certified Ignition Protected.
- Our exclusive DeckSweep technology puts the light where you need it most, providing for up to twice the useable light of competitors.

Order No.	Mfg. No. / Description	Price
378836	(101099) White Dimming, Blue Dimming, White Finish	\$176.98 F
378839	(101100) White Dimming, Red Dimming, White Finish	\$176.98 F

- Fun & Flotation
- Anchor & Dock
- Safety
- Electronics
- Trolling Motors
- Lighting
- Electrical
- Topside Acc.
- Cockpit & Deck
- Instruments
- Steering, Controls
- Perform.
- Fuel System
- Engine & Parts
- Engine Care
- Propellers
- Seating & Pedestals
- Tops & Covers
- Pumps
- Cleaning & Care
- Paint & Paint Acc.
- Hardware, Fasteners
- Trailering
- Misc.
- Comm.

Marpac L.E.D. Advantage Deck Light



- Compact, bright LED consumes only 17 watts.
- Tough, waterproof aluminum housing.
- Built-in heat sink.
- Mounts with 5/16" screw.
- Suitable for 9-36 volts.

Order No.	Description	Price
7-0041	LED Advantage Deck Light	\$99.98 G

T-H Marine L.E.D. Spreader Light



- 10 high intensity LEDs.
- 1,000 lumens of light output.
- Optical grade lens.
- Operating voltage: 10-30V DC.
- Completely sealed with waterproof rating: IP67.
- Super long life up to 30,000 hours.
- Great for new installations or replacing 55 watt halogen flood lights.
- Power consumption 80% lower than incandescent lights.
- White housing with stainless steel mounting bracket and hardware.
- Simple, single bolt installation.

Order No.	Mfg. No. / Description	Price
642593	(LED-51888-DP)	\$205.98 I

Taco Marine LUMATEQ L.E.D. Spreader Light



- Six (6) high-powered 1 watt LEDs.
- High 988 Lumens light output equivalent to a 50W halogen.
- Wide 150° light spread.
- Waterproof (non-submersion).
- Shock resistant LEDs.
- Adjustable stainless steel mounting bracket with adjustable tilt.
- Dimensions: 5" W x 3-7/16" H x 2-3/16" D.
- Includes clamp for standard 3/4" - 1" IPS T-top ring (1-1/16" and 1-5/16" OD pipe).

Order No.	Mfg. No. / Description	Price
444248	(F38-4600WHA1) White Housing	\$76.98 F

Taco Marine LUMATEQ L.E.D. Spot Light



- Three (3) high-powered 3 watt LEDs.
- High 6982 Lumens light output.
- 22° Vertical/25° horizontal light spread.
- Waterproof (non-submersion).
- UV- and impact-resistant white housing and polycarbonate lens.
- Adjustable stainless steel mounting bracket with adjustable tilt.
- Dimensions: 5" W x 3-7/16" H x 2-3/16" D.
- Includes clamp for standard 3/4" - 1" IPS T-top ring (1-1/16" and 1-5/16" OD pipe).

Order No.	Mfg. No. / Description	Price
444250	(F38-5600WHA1) White Housing	\$117.98 LQ

Taco Marine L.E.D. T-Top Tube Lights



444242

444241



- A tube light with a generous 18' wiring cable.
- 108 LED lights.
- 300 Lumens white light/150 Lumens color light.
- Efficient 100,000 hours of operation. Low draw < .5 amperes.
- IP67 waterproof (non-submersible).
- Impact-resistant polycarbonate lens.
- Universal design fits most existing florescent T-top light housings for upgrades.
- Mounts with supplied mounting clips, tie wraps or Velcro
- Dimensions: 20" x 1.52".

Order No.	Mfg. No. / Description	Price
444240	(F38-2060-1) White Light	\$65.98 LQ
444242	(F38-2060R-1) White with Red Light	\$74.98 F

T-TOP TUBE LIGHT WITH ALUMINUM HOUSING

- A T-top LED light that has an attractive and durable polished aluminum housing.

Order No.	Mfg. No. / Description	Price
444241	(F38-2050R-1) White with Red Light	\$152.98 F

Taco Marine L.E.D. Deck Light - Pipe Mount



- Bright dip anodized Aluminum housing.
- Durable and self-extinguishing clear plastic lens.
- Ideal for T-tops, towers, railings, poling platforms, leaning posts.
- Compact design bolts directly to 1" schedule 40 pipe.
- 8' hidden power cable.
- Powerful 540 lumen output with 100° spread.
- 8 watt.
- Equivalent to a 55 watt halogen floodlight.
- Very low power consumption (.6 amps @ 12V).
- 12-24 volt applications.
- USCG, ISO and SAE certified for ignition protection.
- LED chips are silicone potted for IP67 Waterproof (non-submersible).

Order No.	Mfg. No. / Description	Price
444244	(F388600BXZWI) White Light	\$138.98 F

- Fun & Flotation
- Anchor & Dock
- Safety
- Electronics
- Trolling Motors
- Lighting**
- Electrical
- Topside Acc.
- Cockpit & Deck
- Instruments
- Steering, Controls
- Perform.
- Fuel System
- Engine & Parts
- Engine Care
- Propellers
- Seating & Pedestals
- Tops & Covers
- Pumps
- Cleaning & Care
- Paint & Paint Acc.
- Hardware, Fasteners
- Trailering
- Misc.
- Comm.

Boater Sports L.E.D. Square Spreader Lights



- Heavy duty aluminum housing.
- Fully sealed waterproof construction.
- Great for boats, trucks, ATVs and all other vehicles.
- 3.22"
- 1350 Lumens - 6, 3 Watt LEDs.
- Black.

Order No.	Mfg. No. / Description	Price
1-39447	(39447) Spot Beam	\$79.95 H
1-39449	(39449) Flood Beam	\$79.95 H

Attwood Multi-Function L.E.D. Sport Lights



- This durable, water-resistant, multi-purpose light can be used as a bright 300 Lumen flood light or 50 Lumen red beam for improved night vision.
- It also has a UV mode for charging fishing lures and line.
- Features four mounting options and 360° rotation.
- Includes an adapter for use with the Attwood Rod Holder Mount.
- Ideal for fishing, boating, hunting, camping and more.
- Requires (6) AA batteries (Not included).

Order No.	Mfg. No. / Description	Price
235310	(14185XFS-7) Gray	\$45.98 G
235315	(14187XFS-7) Camo - Real Tree Max 4 Water Fowl	\$64.98 H

Rigid D-Series Dually L.E.D. Spreader Lights



- Patented hybrid optics.
- 50,000+ Hr LED lifespan.
- Instant on/off - no warm up.
- RoHS Compliant.
- Over/under voltage protection.
- Cast aluminum housing.
- Durable polycarbonate lens.
- Integrated thermal management.
- GORE pressure equalizing vent.

10° SPOT PATTERN - SPREADER LIGHT		
• 15.8 watts, amp draw: 1.1.	• Lux @ 10m: 646.	
• LED's: 4.	• Beam distance: 508 m.	
• Raw lumens: 1568.	• Peak beam intensity: 64600 cd.	

Order No.	Mfg. No. / Description	Price
2003707	(20221) Black Sold Per Pair	\$199.98 E

60° DIFFUSED PATTERN - SPREADER LIGHT		
• 20 watts, amp draw: 1.45.	• Lux @ 10m: 19.3.	
• LED's: 4.	• Beam distance: 87.9 m.	
• Raw lumens: 1568.	• Peak beam intensity: 1,931 cd.	

Order No.	Mfg. No. / Description	Price
340150	(60151) White Sold Each	\$119.98 E
340154	(60251) White Sold Per Pair	\$219.98 E
2003708	(20251) Black Sold Per Pair	\$199.98 E

Lumitec Cayman - Floodlight



- Dual-color output, monolithic solid metal construction, dimming, and wide beam optical technology.
- Choose single color (5,000 K dimming neutral white), or dual color (neutral white dimming with blue dimming, or neutral white dimming with red dimming).
- Dimensions: 7.78" W x 2.49" H x 5.14" D.
- Voltage: 10 to 30V DC. 2.7A @ 12V DC, 1.3A @ 24V DC.

Order No.	Mfg. No. / Description	Price
378848	(101250) White Dimming, White Finish	\$292.98 F
378851	(101251) White Dimming, Blue Dimming, White Finish	\$365.98 F
378854	(101252) White Dimming, Red Dimming, White Finish	\$365.98 F

Rigid D2-Series L.E.D. Spreader Lights



- Patented specter optics.
- 50,000+ Hr LED lifespan.
- Instant on/off - no warm up.
- RoHS Compliant.
- Over/under voltage protection.
- Cast aluminum housing.
- Durable polycarbonate lens.
- Integrated thermal management.
- GORE Pressure equalizing vent.

DIFFUSED - SPREADER LIGHT		
• 34.5 watts, amp draw: 2.50.	• Lux @ 10m: 37.3.	
• LED's: 6.	• Beam distance: 122.2 m.	
• Raw lumens: 3096.	• Peak beam intensity: 3,732 cd.	

Order No.	Mfg. No. / Description	Price
340166	(70251) White Sold Per Pair	\$399.98 E

Rigid Marine SR-M2 L.E.D. Spreader Lights



- Patented specter optics.
- 50,000+ Hr LED lifespan.
- Instant on/off - no warm up.
- RoHS Compliant.
- Over/under voltage protection.
- Cast aluminum housing.
- Durable polycarbonate lens.
- Integrated thermal management.
- GORE Pressure equalizing vent.

DRIVING - SPREADER LIGHT		
• Watts: 11.25. Amp draw: 0.82.	• Lux @ 10m: 76.5.	
• LED's: 3.	• Beam distance: 175 m.	
• Raw lumens: 1125.	• Peak beam intensity: 7,653 cd.	

Order No.	Mfg. No. / Description	Price
2003729	(95231) White Sold Each	\$164.98 E

DIFFUSED - SPREADER LIGHT		
• Watts: 11.25. Amp draw: 0.82.	• Lux @ 10m: 13.9.	
• LED's: 3.	• Beam distance: 74.4 m.	
• Raw lumens: 1125.	• Peak beam intensity: 1,385 cd.	

Order No.	Mfg. No. / Description	Price
340170	(95251) White Sold Each	\$165.98 E

- Fun & Flotation
- Anchor & Dock
- Safety
- Electronics
- Trolling Motors
- Lighting
- Electrical
- Topside Acc.
- Cockpit & Deck
- Instruments
- Steering, Controls
- Perform.
- Fuel System
- Engine & Parts
- Engine Care
- Propellers
- Seating & Pedestals
- Tops & Covers
- Pumps
- Cleaning & Care
- Paint & Paint Acc.
- Hardware, Fasteners
- Trailer
- Misc.
- Comm.

Rigid M-Series L.E.D. Spreader Lights



340162



340178

4" DIFFUSED - SPREADER LIGHT

- 30 watts, amp draw: 2.17.
- LED's: 8.
- Raw lumens: 3000.
- Lux @ 10m: 22.0.
- Beam distance: 93.8 m.
- Peak beam intensity: 2,200 cd.

Order No.	Mfg. No. / Description	Price
340178	(804512) White	\$231.98 E

6" SPOT/FLOOD COMBO - SPREADER LIGHT

- 45 watts, amp draw: 3.26.
- LED's: 12.
- Raw lumens: 4500.
- Lux @ 10m: 690.0.
- Beam distance: 524.4 m.
- Peak beam intensity: 69,000 cd.

Order No.	Mfg. No. / Description	Price
340158	(806312) White	\$314.98 E

6" DIFFUSED - SPREADER LIGHT

- 45 watts, amp draw: 3.26.
- LED's: 12.
- Raw lumens: 4500.
- Lux @ 10m: 33.0.
- Beam distance: 114.9 m.
- Peak beam intensity: 3,300 cd.

Order No.	Mfg. No. / Description	Price
340162	(806512) White	\$314.98 E

10" DIFFUSED - SPREADER LIGHT

- 65 watts, amp draw: 4.71.
- LED's: 20.
- Raw lumens: 5740.
- Lux @ 10m: 50.0.
- Beam distance: 141.4 m.
- Peak beam intensity: 5,000 cd.

Order No.	Mfg. No. / Description	Price
340174	(810512) White	\$419.98 E

Rigid SR-Series Single Row L.E.D. Light Bar



- Patented hybrid optics.
- 50,000+ Hr LED lifespan.
- Instant on/off - no warm up.
- RoHS Compliant.
- Over/under voltage protection.
- Extruded aluminum housing.
- Durable polycarbonate lens.
- Integrated thermal management.
- GORE Pressure equalizing vent.

10" - SPOT/FLOOD COMBO - LIGHT BAR

- Spot/flood combo.
- Watts: 35.9. Amp draw: 2.6.
- LED's: 10.
- Raw lumens: 3750.
- Lux @ 10m: 850.
- Beam distance: 583 m.
- Peak beam intensity: 85,000 cd.

Order No.	Mfg. No. / Description	Price
2003725	(91031) 10" Spot/Flood Combo	\$299.98 E

Boater Sports L.E.D. Off Road Rail Light Bars



1-39738



1-51456



1-51455

- High output LED rail light.
- Punishingly bright, these rail lights will meet your off road needs and then some.
- Incredibly efficient electrical engineering extends operation times past those of inferior lighting.
- Rugged aluminum housing and fully sealed LED construction means this light bar is here to stay.
- Fully sealed waterproof construction.
- Includes mounting bracket, hardware and instructions.
- 12 - 30V DC.
- Operating amperage: 15A @ 12V DC, 7.5A @ 24V DC.

Order No.	Mfg. No. / Description		Price
1-51455	(51455) Length 7-1/2"	2,880 Lumens	\$89.95 Q
1-51456	(51456) Length 13-1/2"	5,760 Lumens	\$149.95 Q
1-51457	(51457) Length 22"	9,600 Lumens	\$209.95 G
1-39738	(39738) Length 33"	12,600 Lumens	\$329.95 H
1-39739	(39739) Length 42"		\$399.95 Q

Rigid E-Series L.E.D. Light Bars



2003703

- Patented hybrid optics.
- 50,000+ Hr LED lifespan.
- Instant on/off - no warm up.
- RoHS Compliant.
- Over/under voltage protection.
- Durable polycarbonate lens.
- Integrated thermal management.
- GORE Pressure equalizing vent.

10" - 10° SPOT PATTERN - LIGHT BAR

- Watts: 65. Amp draw: 4.71.
- LED's: 20.
- Raw lumens: 5740.
- Lux @ 10m: 2530.
- Beam distance: 1006 m.
- Peak beam intensity: 253,000 cd.

Order No.	Mfg. No. / Description	Price
2003702	(11021) 10" Spot	\$399.98 E

20" - SPOT/FLOOD COMBO - LIGHT BAR

- Watts: 110. Amp draw: 7.97.
- LED's: 40.
- Raw lumens: 9200.
- Lux @ 10m: 2620.
- Beam distance: 1024 m.
- Peak beam intensity: 262,000 cd.

Order No.	Mfg. No. / Description	Price
2003703	(12031) 20" Spot/Flood Combo	\$699.98 E

- Fun & Flotation
- Anchor & Dock
- Safety
- Electronics
- Trolling Motors
- Lighting**
- Electrical
- Topside Acc.
- Cockpit & Deck
- Instruments
- Steering, Controls
- Perform.
- Fuel System
- Engine & Parts
- Engine Care
- Propellers
- Seating & Pedestals
- Tops & Covers
- Pumps
- Cleaning & Care
- Paint & Paint Acc.
- Hardware, Fasteners
- Trailering
- Misc.
- Comm.

Boater Sports Docking Light Kits



- Docking halogen lamps deliver more power than standard sealed beams and last longer.
- Clear lenses for maximum light output.
- Rustproof, impact-resistant housing.
- Includes two lights, rocker switch, wire, connectors, and instructions.
- Fuse: 15 amp (included).
- Dimensions: 5-3/4" x 3-1/4" x 3".

Order No.	Mfg. No. / Description	Price
1-51190	(51190) Black	\$33.95 H
1-51191	(51191) White	\$36.69 H

Anderson Nightwatcher® Mini Halogen Driving/Docking Light



Please note: Photograph is shown with a Black Housing.



- Powerful 55 watt, halogen driving or docking light features white housing with precision cast, hardened-glass lens, and vaporized aluminum reflector.
- Features stainless steel mounting hardware and bezel screws.
- Wiring kit sold separately.

Order No.	Mfg. No. / Description	Price
223512	(E517-2W) White Kit	\$39.98 LQ

Optronics DLL Series L.E.D. Docking Lights



- Raw lumen output: 440 lm, Effective lumen output: 396 lm.
- Wide, low beam ideal for docking or loading applications.
- Die cast aluminum housing coated for protection against corrosion and UV exposure; durable polycarbonate lens.
- Sealed lens, gasket at wire entry; IP44 rating.
- Dual power: Use with 12V DC and 24V DC systems.
- Stainless steel mounting hardware.
- 20 gauge lead and ground wire with tinned ends.

Order No.	Mfg. No. / Description	Price
523112	(DLL-50CC) Black Housing	\$125.98 Q
523114	(DLL-50WC) White Housing	\$125.98 Q

Optronics Docking Lights



- Docking light with heavy duty plastic housing, glass lens.
- Stainless steel mounting bracket with rubber cover.
- 12 volt, 55 watt H3 halogen bulb.
- Includes: (2) lights, wiring, mounting hardware and switch.

Order No.	Mfg. No. / Description	Price
523096	(DL16CC) Black	\$31.98 Q
523109	(DL16WC) White	\$31.98 Q

Marinco - BEP Products Universal Halogen Deck Lamps



- State-of-the-art free form lens reflector technology allows for 30% more light output than comparable 55W lamps.
- Universal mounting brackets and compact size make for easy installation anywhere.
- Lamp housing is made of UV stabilized plastic and all hardware is 316 chrome plated stainless steel.
- Includes: 12 volt, 55W halogen bulb and is 24 volt, 70W compatible.

Order No.	Mfg. No. / Description	Price
702150	(ML-005BW/DSP) Black	\$54.98 LQ
702155	(ML-005WW/DSP) White	\$54.98 LQ

Attwood L.E.D. Docking Lights



- Compared to its 55 watt halogen competition, the Attwood Surface Mount LED Docking Light draws a fraction of the power while producing a brighter output.
- The Attwood product also transmits light in a much broader pattern as opposed to a narrow beam generated by today's competitors.
- Power draw and performance are important, but what about assembly? At 1.2" thick, the lights are designed to be mounted directly to the surface of the hull.
- With only a small hole for wiring and three (3) screws for attachment, Attwood's surface mount design makes installation quick and uncomplicated.
- This new LED Docking Light allows for fewer hull cuts and minimal intrusion while producing results that are reliable and attractive.
- Backed by a 10-year warranty, Attwood's LED Docking Light is designed and tested for extreme conditions.
- Attwood used only the highest grade stainless steel and aluminum components to ensure the product is resistant to corrosion.
- The rubber gasket provided creates a barrier that protects your hull from water entry.

Order No.	Mfg. No. / Description	Price
235570	(6522SS1) Stainless Steel Bezel Bulk	\$149.98 LQ
235572	(6522SS7) Stainless Steel Bezel Clamshell Packaging	\$149.98 F

Aqua Signal Stainless Steel Halogen Docking Light



- Stainless steel cover.
- Halogen recessed docking lights for safe docking maneuvering around docks, anchorages and moorings at night.
- Clean flush mount housing adds distinct look to your boat.
- Dimensions: 7.75" L x 4.25" W x 3.5" H.
- 12 volt, 50 watt.
- Sold per pair.

Order No.	Mfg. No. / Description	Price
207394	(85104-7)	\$244.98 Q

- Fun & Flotation
- Anchor & Dock
- Safety
- Electronics
- Trolling Motors
- Lighting
- Electrical
- Topside Acc.
- Cockpit & Deck
- Instruments
- Steering, Controls
- Perform.
- Fuel System
- Engine & Parts
- Engine Care
- Propellers
- Seating & Pedestals
- Tops & Covers
- Pumps
- Cleaning & Care
- Paint & Paint Acc.
- Hardware, Fasteners
- Trailering
- Misc.
- Comm.

Sierra Heavy Duty Docking Light



- 30,000 cp bulb illuminates below the deckline.
- Newly-designed housing is fully sealed.
- Align and change eyeball from exterior of the hull.
- New eyeball will fit into old-style docking light housing.
- New-style housing will fit existing cut-out with only slight modification.
- Mil-Spec sealed waterproof/dustproof rocker switch panel included.
- 12 volt.

Order No.	Mfg. No. / Description	Price
995001	(95001) White	\$538.15 H
995002	(95002) Replacement 12 volt Light	\$141.00 H

Marpac L.E.D. Waterproof Rechargeable Utility Light



- 60 super bright LEDs for adding light anywhere it's needed.
- Lasts up to nine hours on a full charge.
- Cordless convenience-no power wires in the work area.
- Hang where needed with the swivel hook.
- Waterproof to IP:67 standards-total immersion in water up to one meter for 30 minutes.
- Floats if dropped overboard.
- Crush and dust proof.
- Magnetic holder included.
- AC and 12V DC chargers included.
- Recharges in approximately six hours.

Order No.	Description	Price
7-0040	LED Rechargeable Utility Light	\$39.98 H

Aqua Signal L.E.D. Multipurpose Light



- LED multipurpose light with rocker switch for red and white illumination.
- Surface mount, with 4 screws (Included).
- Utility light Voltage/Draw: 12V/0.50A Fixture Material: Plastic Lens Material/Description: Clear plastic Switch Type: Three-position rocker switch-white/off/red.
- Dimensions: 16" W x 4.45" H x 1" D.

Order No.	Mfg. No. / Description	Price
207400	(16530-7) Red/White LED's.	\$99.98 Q

Optronics Floating Fish-N-Lite



- Waterproof styrofoam housing with molded handle allows unit to double as spotlight.
- 26,000 candlepower sealed beam.
- 8' cord with battery clips.
- 12 volt, 37.5 watt, 3.1 amp.

Order No.	Mfg. No. / Description	Price
5220016	(FL-208)	\$16.98 H

T-H Marine Headlight Kit



- Durable, rugged all rubber housing is completely weatherproof and unbreakable.
- Protects sealed beam from shock and vibration.
- The sealed beam lamp is 110,000 candlepower with a concentrated beam.
- Includes: (2) Housings, (2) sealed beams, switch panel and all mounting hardware for lights.

Order No.	Mfg. No. / Description	Price
642312	(HL-1-DP)	\$160.98 L
642313	(HLB-1-DP) Mounting Brackets	\$22.98 H

Marpac L.E.D. Rechargeable Utility Light



- 60 super bright LEDs for adding light anywhere it's needed.
- Lasts up to six hours or longer on a full charge.
- Cordless convenience-no power wires in the work area.
- Hang where needed with the swivel hook.
- Hexagonal shaped bezel for use on flat surfaces without rolling.
- Water, shock and oil resistant.
- AC and 12V DC chargers included.
- Recharges in approximately 3 hours.

Order No.	Description	Price
7-0039	LED Rechargeable Utility Light	\$24.98 H

Optronics Submersible Fish-N-Lite



- 300,000 candlepower underwater light with beam magnifier.
- 12 volt, 50 watt quartz halogen, 1 amp.
- Rattles and bubbles.
- 15' cord with battery clips.

Order No.	Mfg. No. / Description	Price
5220016	(FL-208)	\$16.98 H

- Fun & Flotation
- Anchor & Dock
- Safety
- Electronics
- Trolling Motors
- Lighting**
- Electrical
- Topside Acc.
- Cockpit & Deck
- Instruments
- Steering, Controls
- Perform.
- Fuel System
- Engine & Parts
- Engine Care
- Propellers
- Seating & Pedestals
- Tops & Covers
- Pumps
- Cleaning & Care
- Paint & Paint Acc.
- Hardware, Fasteners
- Trailering
- Misc.
- Comm.

Energizer Pro 3 L.E.D. Headlight



- Swivel and tilt adjustment aims light.
- Operates in 2 modes - Two white LEDs for flood and one red LED for night vision.
- Multiple position slide switch.
- Runtime (h:mm): 28:30 for flood and 58:30 for night vision.
- Two white LED provides 30 lumens of light.
- Uses 3 "AAA" batteries. (Not included).

Order No. Mfg. No. / Description Price
340101 (HD33A1EN) Green **\$21.98 Q**

Energizer Industrial 6 L.E.D. Headlight



- Swivel adjustment with ratchet positioning for accurate aim.
- Operates in 3 modes - Two white LEDs for spot, two white LEDs for flood and two red LEDs for night vision.
- Push button switch cycles modes.
- Uses 3 "AAA" batteries. (Not included).

Order No. Mfg. No. / Description Price
340104 (HDL33AINE) Yellow **\$28.98 Q**

eGear EQ2™ Ultralight Headlamp



- Hands-free lighting.
- Perfect for impulse shopping, especially at checkout.
- Easy to grab-n-go.
- Each item individually barcoded.
- Sturdy, clear plastic with lid reduces packaging and consolidates shelf space.
- Reusable, refillable and recyclable.
- 30 count, assorted colors.

Order No. Mfg. No. / Description Price
586262 (21-HL1341A30) **\$367.98 LQ**

Night Stick Intrinsically Safe L.E.D. Headlamp



- cETLus, ATEX, IECEx and MSHA listed Intrinsically Safe Permissible.
- CREE LED technology - 50,000 + hours LED life.
- Spotlight - high/low - brightness white floodlight - red floodlight.
- Focused spotlight beam for distance illumination.
- Unfocused wide-beam floodlight for close-up illumination.
- Red floodlight for night vision preservation.
- Dual-Light (spotlight and white floodlight on at the same time) for maximum versatility
- Engineered polymer housing.
- Dual switches located on top of light.
- Adjustable ratchet tilt head.
- Non-slip elastic head strap.
- Heavy duty rubber strap for hard hat applications.
- Waterproof. Impact and chemical resistant.
- Powered by: 3 "AA" batteries (included).

Order No. Mfg. No. / Description Price
578155 (XPP-5456G) **\$39.99 A**

Night Stick Dual-Light™ Multi-Function Headlamp



- CREE LED technology - 50,000 + hours LED life.
- Spotlight - high/low-brightness white floodlight - red floodlight.
- Focused spotlight beam for distance illumination.
- Unfocused wide-beam floodlight for close-up illumination.
- Red floodlight for night vision preservation.
- Dual-Light (spotlight and white floodlight on at the same time) for maximum versatility
- Engineered polymer housing.
- Dual switches located on top of light.
- Adjustable ratchet tilt head.
- Non-slip elastic head strap.
- Heavy duty rubber strap for hard hat applications.
- Waterproof. Impact and chemical resistant.
- Powered by: 3 "AA" batteries (included).

Order No. Mfg. No. / Description Price
578130 (NSP-4612B) **\$47.49 D**

Night Stick Intrinsically Safe L.E.D. Headlamp



- cETLus, ATEX and IECEx listed Intrinsically Safe.
- CREE LED technology - 50,000 + hours LED life.
- High/low - brightness spotlight - high/low - brightness floodlight - Dual-Light.
- Integrated stainless steel clip for use with most hard hat mounting brackets.
- Focused spotlight beam for distance illumination.
- Unfocused wide-beam floodlight for close-up illumination.
- Dual-Light (any spotlight and floodlight model at the same time) for maximum versatility
- Engineered polymer housing.
- Dual switches located on top of light.
- Adjustable ratchet tilt head.
- Waterproof. Impact and chemical resistant.
- Powered by: 3 "AAA" batteries (included).

Order No. Mfg. No. / Description Price
578150 (XPP-5454G) **\$39.99 D**

Night Stick Multi-Function L.E.D. Headlamp



- CREE LED technology - 50,000 + hours LED life.
- High/low-brightness spotlight - white/red/green floodlight.
- Focused spotlight beam for distance illumination.
- Unfocused wide-beam floodlight for close-up illumination.
- Colored floodlight for night vision preservation.
- Engineered polymer housing.
- Dual switches located on top of light.
- Adjustable ratchet tilt head.
- Non-slip elastic head strap.
- Waterproof. Impact and chemical resistant.
- Powered by: 3 "AAA" batteries (included).

Order No. Mfg. No. / Description Price
578125 (NSP-4610B) **\$31.99 D**

Night Stick Mini-TAC Gooseneck L.E.D. Flashlight



- CREE LED technology - 50,000 + hours LED life.
- Momentary or constant-on flashlight.
- Sharp focused flashlight beam.
- Aircraft-grade 6061-T6 aluminum.
- Type II hard anodized finish.
- Non-slip grip.
- Water resistant.
- Impact and chemical resistant.
- Powered by: 2 "AA" batteries (included).
- Includes removable wrist lanyard, hands-free magnet and batteries.

Order No. Mfg. No. / Description Price
578120 (MT-130) **\$23.59 D**

- Fun & Flotation
- Anchor & Dock
- Safety
- Electronics
- Trolling Motors
- Lighting
- Electrical
- Topside Acc.
- Cockpit & Deck
- Instruments
- Steering, Controls
- Perform.
- Fuel System
- Engine & Parts
- Engine Care
- Propellers
- Seating & Pedestals
- Tops & Covers
- Pumps
- Cleaning & Care
- Paint & Paint Acc.
- Hardware, Fasteners
- Trailer
- Misc.
- Comm.

Fulton Waterproof Flashlight

FULTON



- Class II Group G and Class I Group C, D Approved.
- Approved for hazardous areas of atmosphere.
- Orange body with black lens ring and end cap.
- Waterproof.
- 3 position switch, switch guard and spare bulb.
- Uses 3 "D" batteries. Note: Batteries not included.

Order No. Mfg. No. / Description Price
261736 (932-1B) Orange **\$21.98** Q

Energizer Hard Case Professional L.E.D. Flashlight

Energizer



- The compact size makes the light easy to carry and store.
- An anti-roll design combined with impact resistance greatly reduces the potential for damage to internal components.
- A shatterproof lens protects the LED from harsh environments.
- Survives a 4 meter drop.
- Push button switch is designed to last a lifetime.
- Three white LED provides 20 lumens of light.
- Uses 2 "AA" batteries. Runtime: 30 hours.

Order No. Mfg. No. / Description Price
340261 (TUF2AAPE) Black & Dark Grey **\$28.98** LQ

Energizer Industrial Safety L.E.D. Flashlight

Energizer



- Waterproof, dustproof and survives a 1 meter drop test.
- Shatterproof lens.
- A built-in carabiner belt clip makes for easy access, while the internationally approved orange safety color provides instant recognition.
- MSHA approved for use in methane-air mixture and UL listed for Division I and II, Class I, Group C and D Environments.
- For use in gas-air mixtures of Acetone, Butane, Benzene, Diethyl Ether, Ethyl and Methyl Alcohols, Gasoline, Methane (natural gas), Naphtha, and Propane.
- One white LED provides 66 lumens of light.
- Uses 2 "D" batteries. Note: Batteries not included. Runtime: 68 hours.

Order No. Mfg. No. / Description Price
340238 (MS2DLED) Safety Orange **\$42.98** Q

Night Stick Intrinsicly Safe L.E.D. Penlight

NIGHTSTICK



- cETLus, ATEX and IECEx listed Intrinsicly Safe.
- CREE LED technology - 50,000 + hours LED life.
- Momentary or constant-on flashlight.
- Sharp focused beam for distance illumination.
- Engineered polymer housing.
- Non-slip grip.
- Single body switch.
- Waterproof. Impact and chemical resistant.
- Built-in pocket/belt clip.
- Powered by: 3 "AAAA" batteries (included).

Order No. Mfg. No. / Description Price
578135 (XPP-5412G) **\$23.59** D

Energizer Industrial Economy Flashlight

Energizer



- Sturdy polyethylene case and a shatterproof lens.
- Flip-up hook that allows hanging or belt-carrying the light easily.
- The anti-roll feature helps keep the light in place when you set it down.
- Krypton (KPR-102) bulb delivers 17 lumens.
- Uses 2 "D" batteries. Note: Batteries not included. Runtime (h:mm): 2:30.

Order No. Mfg. No. / Description Price
340199 (E250Y) Yellow **\$4.24** Q

Energizer Industrial Heavy Duty L.E.D. Flashlight

Energizer



- An impact-resistant housing reduces the chance of breakage from dropping and abuse and the chemical-resistant polypropylene body protects it from staining and corrosion.
- Weatherproof and shockproof.
- A built-in hanger ring makes it easy to keep this sturdy light within reach.
- One white LED provides 35 lumens of light.
- Uses 2 "D" batteries. Note: Batteries not included. Runtime (h:mm): 113.

Order No. Mfg. No. / Description Price
340226 (1251L) Yellow **\$10.98** Q

Night Stick Intrinsicly Safe L.E.D. Flashlight

NIGHTSTICK



- cETLus, ATEX, IECEx and MSHA listed Intrinsicly Safe Permissible.
- Flashlight - floodlight - Dual-Light.
- CREE LED technology - 50,000 + hours LED life.
- Momentary or constant-on flashlight.
- Sharp focused flashlight beam for distance illumination.
- Unfocused wide-beam floodlight for close-up illumination.
- Dual-Light (flashlight & floodlight at same time) for maximum versatility.
- Engineered polymer housing.
- Non-slip grip. Dual body switches.
- Waterproof. Impact and chemical resistant.
- Built-in pocket/belt clip.
- Includes removable lanyard.
- Requires 3 "AA" batteries (not included).

Order No. Mfg. No. / Description Price
578140 (XPP-5422G) **\$34.39** D

FLASHLIGHT WITH DUAL MAGNETS

- Powerful integrated magnets built into the base and pocket clip for multiple hands-free options.

Order No. Mfg. No. / Description Price
578145 (XPP-5422GM) **\$37.99** D

Fun & Flotation

Anchor & Dock

Safety

Electronics

Trolling Motors

Lighting

Electrical

Topside Acc.

Cockpit & Deck

Instruments

Steering, Controls

Perform.

Fuel System

Engine & Parts

Engine Care

Propellers

Seating & Pedestals

Tops & Covers

Pumps

Cleaning & Care

Paint & Paint Acc.

Hardware, Fasteners

Trailering

Misc.

Comm.

Fun & Flotation

Anchor & Dock

Safety

Electronics

Trolling Motors

Lighting

Electrical

Topside Acc.

Cockpit & Deck

Instruments

Steering, Controls

Perform.

Fuel System

Engine & Parts

Engine Care

Propellers

Seating & Pedestals

Tops & Covers

Pumps

Cleaning & Care

Paint & Paint Acc.

Hardware, Fasteners

Trailer

Misc.

Comm.

Pelican MityLite™ 1900 Flashlight



- Xenoy polymer resin body.
- A hi-intensity Xenon lamp that produces a powerful, bright beam.
- Use this compact flashlight to cut through thick smoke, fog and dust.
- Submersible and comes with a twist-on shroud.
- Operates on (2) "AAA" Alkaline batteries (included).
- Approved non-incentive, FM, CSA, CENELEC and AUS.
- Length 4.09".

Order No.	Mfg. No. / Description	Price
511217	(1900C) Yellow	\$21.98 Q
511229	(1904) Lamp Module	\$8.98 Q

Pelican SabreLite™ 2000 Flashlight



- Submersible. ABS resin body.
- Incredibly bright Xenon lamp produces a powerful collimated white beam.
- O-ring sealed with a twist-on shroud and comes with a polarity battery guard tray.
- Operates on (3) "C" Alkaline batteries (Not included).
- Approved non-incentive, FM, CSA, MSHA, AUS and UL.
- Length 7.79".

Order No.	Mfg. No. / Description	Price
511231	(2000C) Yellow	\$56.98 Q
511243	(2004) Lamp Module	\$19.98 Q

Pelican SabreLite™ 2010 L.E.D. Flashlight



- Submersible.
- LED Technology produces a white collimated beam that's as bright as an incandescent light and provides 10,000 hours of lamp life and extended battery burn time.
- The rugged, lightweight ABS resin body is submersible and a twist on/off lens shroud eliminates accidental discharge.
- Operates on (3) "C" Alkaline batteries (Not included).
- Length 8.11".

Order No.	Mfg. No. / Description	Price
511249	(2010C) Yellow	\$96.98 Q

Optronics BlueEye Beam Series Spotlight



- Eliminates reflective glare and protects against night blindness.
- 400,000 candlepower.
- Sealed beam 12 volt spotlight.
- Push button switch.
- 10' white coil cord.
- Glare free saltwater/marine version with corrosion resistant hardware.
- 170 watt Par 46 BlueEye Beam sealed beam bulb.

Order No.	Mfg. No. / Description	Price
523187	(KB-4001)	\$47.98 Q

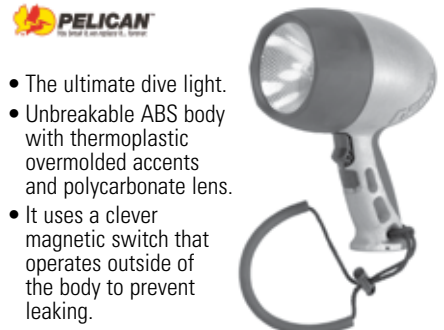
Optronics Nightblaster Handheld Spotlight



- 12 volt handheld spotlights.
- Halogen technology for maximized beam power and distance.
- 10' coil cord with 12 volt cigarette lighter style plug.
- Marine glare reduction lens.
- Convenient storage compartment for cord.
- Trigger switch.
- 3,000,000 candlepower.
- 130 watt bulb.

Order No.	Mfg. No. / Description	Price
5220042	(QH-3001)	\$31.98 H

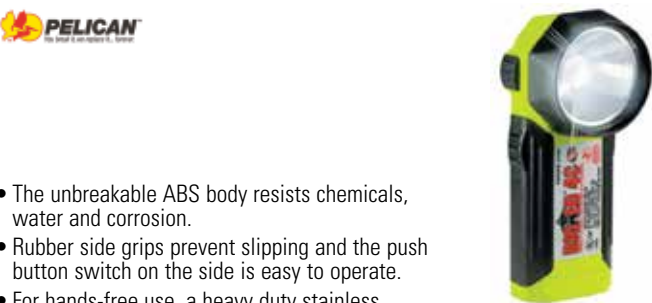
Pelican Nemo™ 4300 Flashlight



- The ultimate dive light.
- Unbreakable ABS body with thermoplastic overmolded accents and polycarbonate lens.
- It uses a clever magnetic switch that operates outside of the body to prevent leaking.
- A spare Xenon lamp is included and stored underneath the reflector.
- The battery compartment design allows for optimal space utilization and negative buoyancy.
- Submersible to 500 feet (100 meters).
- Operates on (8) "C" Alkaline Batteries (Not included).
- Length 7.5".

Order No.	Mfg. No. / Description	Price
511258	(4300N) Black	\$104.98 Q

Pelican Big Ed™ 3700 Flashlight



- The unbreakable ABS body resists chemicals, water and corrosion.
- Rubber side grips prevent slipping and the push button switch on the side is easy to operate.
- For hands-free use, a heavy duty stainless steel clip is built in.
- Uses a hi-intensity Xenon lamp that produces a beam strong enough to cut through thick smoke and dust.
- A back-up emergency lamp is housed behind the reflector.
- Battery replacement is easy with its quick change battery ejection system.
- Uses (4) C Cell Batteries (Not included).
- Length 7".

Order No.	Mfg. No. / Description	Price
511275	(3700) Yellow	\$179.98 Q

Pelican KingLite™ 4000 Flashlight



LIMITED QUANTITIES

- Heavy duty, high powered spotlight.
- It uses a unique dual filament Xenon lamp that produces a bright beam.
- Made of unbreakable ABS resin with a polycarbonate lens and thermoplastic rubber shroud.
- Two reflectors are included: A modified spot and a laser spot.
- Features: Dual direction switch, locking slide, a pistol grip/lantern handle and a shock absorbing internal battery module.
- Operates on (8) "D" Alkaline batteries (Not included).
- Approved non-incentive, FM and CSA.
- Length 9.37".

Order No.	Mfg. No. / Description	Price
511253	(4000B) Orange	\$156.98 LQ

eGear Splashflash™ LED Light

eGear®



- A must-have, submersible LED.

Order No.	Mfg. No. / Description	Price
586346	(2117001006M) Yellow	\$11.98 LQ
586342	(21-17001-A50) 50 Count, Assorted Colors	\$611.98 LQ

VOL™ 12V USB Charger/Adaptor & JOLT™ Rechargeable USB Mini Light Combo Pack

eGear®



- Conveniently charges USB electronics through 12 volt outlet (cigarette lighter).
 - 5.0v output.
 - Red LED charge indicator on charger top.
 - Size: 2.2" H x 1" D.
 - Weighs just .6 oz.
- JOLT:
- Charges in just 30 MINUTES, Lasts 120+ minutes.
 - Rubberized, soft grip case.
 - Steady on and flashing modes.
 - Size: 2.2" H x .7" D.
 - Weighs just .6 oz.
 - Bulb: .5 watt unbreakable, lifetime 25 lumen LED.
 - Run time: 120+ minutes per charge.

Order No.	Mfg. No. / Description	Price
586300	(21-1530-01) Black/Black	\$20.98 LQ
586305	(21-1530-00) Blue/Black	\$20.98 LQ
586309	(21-1530-04) Red/Black	\$20.98 LQ

Emergency Battle Lanterns

- Designed and mfg. to US Navy Spec MIL-F-16377.
- Lanterns are made of yellow high impact glass filled polyester resin and are virtually indestructible.
- When connected to a 115 volt power source the relay is energized and the sealed beam is off.
- Model SMY100-2 is portable with a built-in carrying handle and has "T" bracket.
- Model SMY101-2 includes a 115V AC relay and 10' of power cord.
- Lanterns required (2) 6 volt spring type batteries. (Not included).



Order No.	Mfg. No. / Description	Price
696320	(SYM100-2) Lantern Only	\$237.98 Q
696344	(SYM101-2) Lantern with Relay	\$265.98 Q
696332	(2438) Slotted Bracket	\$20.98 G
696368	(SMY2546) "T" Bracket	\$22.98 G
220486	(4546) Spare Bulb	\$27.98 I
340125	(1209(EV190)) 6 Volt Spring Battery	\$5.98 Q

- An emergency lantern with a solid stat charger/control unit, rechargeable battery and push button test switch.
- The lantern may be used anytime during the charge cycle.
- Recharge time: 8 hours.
- Lamp burn time: 6.5 - 7.5 hours depending on age and condition of battery.

Order No.	Mfg. No. / Description	Price
696349	(SMY101.3) Rechargeable (Battery Not Included)	\$611.98 Q
696351	(PS650LS) Rechargeable, 6 Volt Battery	\$91.98 Q

eGear PICO™ Personal Survival Light

eGear®



- Easy twist on/off operation.
- Case material: 6061 anodized aluminum.
- Size: 1-1/2" H x 1/2" D.
- Weight with batteries (included): < 1 oz.
- Run time: 15 hours.
- Beam distance: 30 feet.
- Water resistant IPX4.

Order No.	Mfg. No. / Description	Price
586317	(21-1400-001) Black	\$9.98 LQ
586321	(21-1400-004) Red	\$9.98 LQ
586332	(21-1400-000) Blue	\$9.98 LQ
586337	(21-1400-002) Titanium	\$9.98 LQ
586325	(21-1400-050) 50 Count, Assorted Colors	\$509.98 LQ

eGear PICO NV™ Red Night Vision Survival Light

eGear®



- The Pico NV maintains the same quality as the standard Pico, plus:
- Red LED light to preserve night vision.
- Black case with red bezel.
- Bulb: 5mm red unbreakable, lifetime LED.
- Brightness: 1-3 Lumens.
- Run time: More than 6 hours.
- Designed specifically for nighttime situations when maintaining night vision is critical.
- Excellent for use on boats and for reading maps.

Order No.	Mfg. No. / Description	Price
586313	(21-1450-14) Black/Red	\$9.98 LQ

Aqua Signal Bremen Searchlight

aqua signal



- Black elastic rubber housing that is non-corrosive, non-magnetic, and is completely submersible (IP68).
- SOLAS approved searchlight.
- Used by coast guard and military around the world.
- Morse code capable.
- On/off switch.
- 10' pigtail cable.
- Uses 50 W halogen bulb, included.
- 12 volt.

Order No.	Mfg. No. / Description	Price
207298	(80600-7)	\$221.98 F

HANDLE BRACKET FOR HANDHELD SEARCHLIGHT

Order No.	Mfg. No. / Description	Price
207313	(80903-1)	\$25.98 F

Fun & Flotation

Anchor & Dock

Safety

Electronics

Trolling Motors

Lighting

Electrical

Topside Acc.

Cockpit & Deck

Instruments

Steering, Controls

Perform.

Fuel System

Engine & Parts

Engine Care

Propellers

Seating & Pedestals

Tops & Covers

Pumps

Cleaning & Care

Paint & Paint Acc.

Hardware, Fasteners

Trailering

Misc.

Comm.

eGear 6-Day Lantern

eGear®



- Compact, lightweight, floating lantern.
- Case material: High-impact ABS plastic
- Rubberized handle and base for easy grip.
- Water resistant.
- Runs 6 days (144 continuous hours) on low setting.
- Adjustable brightness provides just the light you need from 10 to 45 lumens.
- Light glows through translucent brim.
- Dimensions: 5.2" H x 4.5" D.
- Weight with batteries: 10.6 oz.
- Batteries: 4x AA (not included).

Order No.	Mfg. No. / Description	Price
586258	(21-LT1304000) Silver	\$20.98 LQ

eGear 10-Day Lantern

eGear®



- Easy grip rubberized handle.
- Case material: High-impact ABS plastic.
- Water resistant.
- Great alternative to candles/fuel lanterns.
- Safe for indoor and outdoor use.
- Translucent brim diffuses light evenly.
- Brightness: 10 to 160 lumens.
- 40 hours burn time on high setting and 10 days (260 hours) burn time on low setting.
- 12 ultra-bright lifetime LEDs.
- Dimensions: 10.8" x 6.3"
- Weight with batteries: 2.5 lbs.
- Batteries: 4x 1.5v D-Cell batteries (not included).

Order No.	Mfg. No. / Description	Price
586250	(21-13012-00) Silver	\$40.98 LQ

eGear 30-Day Lantern

eGear®



- Case material: High-impact ABS plastic.
- Water & impact resistant.
- Lasts an amazing 30-Days.
- Converts to a downlight.
- Super Bright 300 Lumen LED.
- Brightness: Up to 45 lumens.
- 4 different lighting modes (includes an SOS flashing mode).
- Run Time: Low: 30-Days, Medium: 3.5 Days, High: 32 Hours, SOS Flashing: 15 Days.
- Dimensions: 9.5" H x 4" D.
- Weight with batteries: 1.25 lbs.
- Batteries: 3x 1.5v D Alkaline (not included).

Order No.	Mfg. No. / Description	Price
586254	(21-LT1330000) Silver	\$61.98 LQ

eGear Tag-It™ Dual Function Signal Lights

eGear®



- Unbreakable lifetime 10 lumen LED bulb.
- Size: 1.6" H x 1.5" D.
- Built-in carabiner.
- Visible up to 2 miles.
- Waterproof to 300 feet.
- Steady-On: 100 hours.
- Flashing: 250 hours.
- Weight with batteries (included): < 1 oz.

Order No.	Mfg. No. / Description	Price
586497	(21-51512) Blue	\$15.98 LQ
586503	(21-51513) Green	\$15.98 LQ
586505	(21-51511) Red	\$15.98 LQ
586509	(21-51514) White (Clear)	\$15.98 LQ
586513	(21-51510) Yellow	\$15.98 LQ

eGear Guardian™ Dual Function Signal Lights

eGear®



- Unbreakable lifetime 10 lumen LED bulb.
- Size: 1.6" H x 1.5" D.
- Universal clip.
- Visible up to 2 miles.
- Waterproof to 300 feet.
- Steady-On: 100 hours.
- Flashing: 250 hours.
- Weight with batteries (included): < 1 oz.

Order No.	Mfg. No. / Description	Price
586270	(21-A54-000) Yellow	\$15.98 LQ
586277	(21-A54-003) Green	\$15.98 LQ
586282	(21-A54-001) Red	\$15.98 LQ
586286	(21-A54-004) White (Clear)	\$15.98 LQ

eGear Trekker™ Stormproof Lighter

eGear®



- Extra large fuel tank.
- Stainless steel wire closure.
- 1,000+ ignitions on a single fill.
- Easy grip rubberized case.
- Includes wrist lanyard.
- Watertight rubberized casing.
- Fuel capacity: 4g.
- Dimensions: 3.7" H x 1.2" D.
- Weight: 2.5 oz.

Order No.	Mfg. No. / Description	Price
586358	(21-W03-006) Matte Black	\$61.98 LQ

eGear Delta™ Stormproof Lighter

eGear®



- The Delta has all the standard Trekker Stormproof Lighter features, plus:
- Elastomer armor outer covering.
- Incredible impact resistance.
- Dimensions: 2.6" x 2.05" x 0.93"
- Fuel Capacity: 1g.
- Weight: 2 oz.
- All Trekker Stormproof Lighters generate an invisible, torch-like flame that works even in the most adverse weather conditions.
- Quadruple-refined or Premium butane fuel is required for maximum performance. (Standard grade butane is NOT recommended).

Order No.	Mfg. No. / Description	Price
586350	(21-390-0001) Matte Black	\$61.98 LQ

- Fun & Flotation
- Anchor & Dock
- Safety
- Electronics
- Trolling Motors

- Lighting
- Electrical
- Topside Acc.
- Cockpit & Deck
- Instruments
- Steering, Controls
- Perform.

- Fuel System
- Engine & Parts
- Engine Care

- Propellers
- Seating & Pedestals
- Tops & Covers
- Pumps
- Cleaning & Care
- Paint & Paint Acc.
- Hardware, Fasteners
- Trailering
- Misc.
- Comm.

Energizer MAX Alkaline Batteries - Everyday Use



- Up to 10 years shelf life.

Order No.	Mfg. No. / Description	Price
340245	(E91BP-4) "AA" Cell Battery Sold 4 Per Pack	\$6.98 Q
340247	(E92BP-2) "AAA" Cell Battery Sold 2 Per Pack	\$4.82 Q
340249	(E93BP-2) "C" Cell Battery Sold 2 Per Pack	\$7.98 Q
340251	(E95BP-2) "D" Cell Battery Sold 2 Per Pack	\$7.98 Q

Energizer Industrial Alkaline Batteries



- Up to 10 years shelf life, except for 9 volt battery which has 5 years.

Order No.	Mfg. No. / Description	Price
340113	(EN22) 9 Volt Battery	\$2.98 Q
340137	(EN91) "AA" Cell Battery	\$0.98 Q
340149	(EN92) "AAA" Cell Battery	\$0.98 Q
340151	(EN93) "C" Cell Battery	\$1.98 Q
340163	(EN95) "D" Cell Battery	\$2.98 Q

Eveready 6 Volt Batteries



Order No.	Mfg. No. / Description	Price
340125	(1209(EV190)) 6 Volt Spring, Super Heavy Duty	\$5.98 Q
340124	(510S) 6 Volt Screw, Classic	\$6.98 Q

Eveready Super Heavy Duty Carbon Zinc "D" Cell Battery



Order No.	Mfg. No. / Description	Price
340175	(1250(EV150)) D Cell Battery	\$2.43 Q

GOLIGHT Portable Searchlight



- Portable searchlight designed to be permanently or temporarily attached to a vehicle.
- Exclusive Cr5 Pentabeam technology.
- Handheld wired remote.
- 370° rotation and 135° tilt.
- 225,000 Candela, max. beam distance 3,113 ft.
- 8° beam angle.
- UV ray and saltwater resistant.
- Includes: Handheld wired remote, suction cup & permanent mount shoe, 15' cord with cigarette plug for 12V DC and Rockguard lens cover.

Order No.	Mfg. No. / Description	Price
386021	(5149) Charcoal	\$179.98 Q

GOLIGHT Permanent Mount Searchlights



- Exclusive Cr5 Pentabeam technology.
- Wireless or hardwired remote control options.
- 370° rotation and 135° tilt.
- 225,000 Candela, max. beam distance 3,113 ft.
- 8° beam angle.
- 5.5 amps. 65 watt H9 bulb.
- UV ray and saltwater resistant.
- Includes: Remote, mounting hardware and Rockguard lens cover.
- White.

Order No.	Mfg. No. / Description	Price
386015	(2020) Hardwired Remote	\$199.98 E
386019	(2000) Wireless Remote	\$264.98 Q

GOLIGHT Stryker Permanent Searchlight



- Exclusive Cr5 Pentabeam technology.
- Wireless handheld remote.
- 370° rotation and 135° tilt.
- 200,000 Candela, max. beam distance 2,933 ft.
- 10° beam angle.
- 5.5 amps. 65 watt 9011 bulb.
- UV ray and saltwater resistant.
- Weather proof for land and sea applications.
- Stainless steel mounting plate.
- Includes: Programmable wireless handheld remote, Rockguard cover and stainless steel mounting system.

Order No.	Mfg. No. / Description	Price
386032	(3000) White	\$389.98 Q

GOLIGHT Wireless Dash Mount Remote

- Can be used alone or along with a wireless hand held remote.
- This remote can be used with all of our lights that have wireless remote capabilities except our Gobeer (#2151).

Order No.	Mfg. No. / Description	Price
386044	(30200)	\$74.98 Q



- Fun & Flotation
- Anchor & Dock
- Safety
- Electronics
- Trolling Motors
- Lighting**
- Electrical
- Topside Acc.
- Cockpit & Deck
- Instruments
- Steering, Controls
- Perform.
- Fuel System
- Engine & Parts
- Engine Care
- Propellers
- Seating & Pedestals
- Tops & Covers
- Pumps
- Cleaning & Care
- Paint & Paint Acc.
- Hardware, Fasteners
- Trailering
- Misc.
- Comm.

Jabco 255SL Remote Control Searchlight



- Sleek design.
- Rugged construction.
- Tough polyurethane finish.
- White thermoplastic.
- Twin high output sealed beam lamps.
- 200,000 candlepower.
- Full 360° horizontal rotation, 30° up, 30° down vertical sweep.
- Includes: Weather resistant remote control and 25' cable.
- Dimensions: 10-1/2" W x 10-15/16" D x 8-13/16" H.
- 8 amps.
- 12 volt.

Order No.	Mfg. No. / Description	Price
412647	(60010-2012)	\$1,339.98 E
413257	(43670-0004) Secondary Remote Control Kit	\$358.98 F
413079	(18753-0336) Spare Bulb	\$64.98 G

Jabco 155SL Remote Control Searchlight



- Constructed of noncorrosive materials.
- White thermoplastic.
- Sealed beam halogen lamp.
- 100,000 candlepower.
- Full 320° horizontal rotation, 75° vertical sweep.
- Includes: Remote control and 15' cable.
- Dimensions: 6-3/8" W x 8" L x 8" H.
- 4.5 amps.
- 12 volt.

Order No.	Mfg. No. / Description	Price
412611	(61050-0012)	\$270.98 E
413257	(43670-0004) Secondary Remote Control Kit	\$358.98 F

Jabco Extension Harness (Electronic Controls)



- Extension harness enable remote controls to be fitted further from the light than standard cables allow and are needed to install secondary remote control kits.
- For 155SL (12/24 volt), 233SL (12/24 volt) and 6" remote control models.

Order No.	Mfg. No. / Description	Price
413423	(64042-1008) Length 25'	\$90.98 LQ

Jabco Extension Harness

- Extension harness enable remote controls to be fitted further from the light than standard cables allow and are needed to install secondary remote control kits.
- For 135SL, 146SL, 155SL (12 volt), 255SL, 5" and 7" remote control models.

Order No.	Mfg. No. / Description	Price
413269	(43990-0014) Length 15'	\$154.98 F

Jabco 146SL Remote Control Searchlight



- Sleek design.
- Rugged construction.
- Corrosion resistant housing.
- White thermoplastic.
- High output halogen sealed beam lamp.
- 175,000 candlepower.
- Full 360° horizontal rotation, 30° up, 30° down vertical sweep.
- Includes: Weather resistant remote control and 15' cable.
- Dimensions: 8-1/2" W x 10-1/8" D x 8-15/16" H.
- 4 amps.
- 12 volt.

Order No.	Mfg. No. / Description	Price
412623	(60080-0012)	\$515.98 E
413257	(43670-0004) Secondary Remote Control Kit	\$358.98 F
413081	(18753-0455) Spare Bulb	\$84.98 F

Jabco 135SL Remote Control Searchlight



- Constructed of noncorrosive materials.
- White thermoplastic.
- Sealed beam halogen lamp.
- 100,000 candlepower.
- Full 320° horizontal rotation, 75° vertical sweep.
- Includes: Remote control and 15' cable.
- Dimensions: 7-1/16" W x 7-1/2" D x 7-7/8" H.
- 3.6 amps.
- 12 volt.

Order No.	Mfg. No. / Description	Price
412609	(60020-0000)	\$267.98 E
413395	(60030-0000) Dual Station Control	\$138.98 F
413067	(18753-0178) Spare Bulb	\$58.98 F

Jabco Secondary Remote Control Kit



- This kit is the only way to achieve dual station control of a remote control searchlight.
- For 146SL (12/24 volt), 155SL (12 volt), 255SL (12 volt) and 5", 7", 8" chrome remote control.

Order No.	Mfg. No. / Description	Price
413257	(43670-0004) Secondary Remote Control Kit	\$358.98 F
413245	(43670-0003) Replacement Control	\$242.98 E

Jabco Spare Bulb



Order No.	Mfg. No. / Description	Price
413043	(67262-0000) For 7" Searchlight	\$145.98 G

- Fun & Flotation
- Anchor & Dock
- Safety
- Electronics
- Trolling Motors
- Lighting
- Electrical
- Topside Acc.
- Cockpit & Deck
- Instruments
- Steering, Controls
- Perform.
- Fuel System
- Engine & Parts
- Engine Care
- Propellers
- Seating & Pedestals
- Tops & Covers
- Pumps
- Cleaning & Care
- Paint & Paint Acc.
- Hardware, Fasteners
- Trailing
- Misc.
- Comm.

ACR RCL-100D Remote-Controlled Searchlight



- Rugged marine-grade aluminum housing.
- Saltwater resistant design includes triple-primed and sealed construction, nylon and phenolic washers and aluminized stainless steel screws with insulating lubricant.
- Twin high-intensity 55 watt halogen bulbs.
- Soft On and Off increases bulb life.
- Internal elevation mechanism for precise pitch control of beam; protects elevation mechanism from weather.
- Includes fingertip remote control Point Pad; up to three remote Point Pad units may be installed on system.
- Exclusive XRCiZ feature rotates and moves light assembly every 30 days from activation to keep all bearing surface free of corrosion.
- Wiring harness of 15 ft.
- Dimensions: 8" H x 8" D x 9" W.
- Beam angle: 5° vertical, 7° horizontal.
- Elevation angle: 9° up, 17° down.
- Rotation speed: Fast 28° per second, slow 15° per second.
- Elevation speed: 2-7° per second.
- 200,000 candlepower.
- 12 volt.

Order No.	Mfg. No. / Description	Price
200701	(1930.3) RCL-100D	\$1,295.98 B
200713	(6001) Halogen Bulb, 12 Volt, 55 Watt	\$114.98 E

Perko Fig. 535 Pilot House Control Solar-Ray® Searchlight



- Chrome plated brass head with chrome plated bronze base.
- 7" sealed beam bulb.
- Lever handle controls both horizontal and vertical movement.
- Control length 7-1/2".
- Waterproof construction.
- Approximately range 5/8 mile.
- Maximum ceiling thickness 4-1/2".
- Height above surface 12-1/2".
- Base diameter: 4-7/8" x 3-1/8".
- 100 watts.
- 12 volt.
- 250,000 candlepower.

Order No.	Mfg. No. / Description	Price
540559	(0535 003 12V)	\$848.98 E
220462	(0433 003 12V) Spare Sealed Beam Unit	\$111.98 I

Perko Fig. 314 Pilot House Control Searchlights



- Chrome plated brass head with chrome plated bronze base.
- Lever action, pilot house control.
- Lever handle controls both horizontal and vertical movement.
- 380° horizontal movement.
- 70° vertical movement.
- For ceiling thicknesses of up to 5".
- 12 volt.

7" SEALED BEAM UNIT

- Approximately range 5/8 mile.
- Overall length 24".
- 100 watts.
- 250,000 candlepower.

Order No.	Mfg. No. / Description	Price
527917	(0314 C07 12V)	\$1,199.98 Q
530003	Rubber Boot	\$25.98 F
220462	(0433 003 12V) Spare Sealed Beam Unit	\$111.98 I

8" SEALED BEAM UNIT

- Approximately range 3/4 mile.
- Overall length 26".
- 250 watts.
- 500,000 candlepower.

Order No.	Mfg. No. / Description	Price
412433	(0314 C08 12V)	\$1,773.98 H

Fun & Flotation

Anchor & Dock

Safety

Electronics

Trolling Motors

Lighting

Electrical

Topside Acc.

Cockpit & Deck

Instruments

Steering, Controls

Perform.

Fuel System

Engine & Parts

Engine Care

Propellers

Seating & Pedestals

Tops & Covers

Pumps

Cleaning & Care

Paint & Paint Acc.

Hardware, Fasteners

Trailerling

Misc.

Comm.

Perko 800 Series Solar-Ray® Searchlights

- Heavy gauge brass and cast bronze.
- White Perko • Kote finish.
- 12, 24, 32 or 120 volts.
- All models feature: Halo deflectors, parabolic glass mirror reflectors for maximum light output and ventilation covers for quick dissipation of heat to help prolong bulb life.
- Hinged front doors have quick release stainless steel latches.
- Weatherproof construction. Interior finished in flat black.

- Lower vent cover on 12" and 14" sizes.
- Slide-lock focusing device behind lower vent.
- Heavy duty yoke mounting.
- Standard pedestal base diameter: 7".
- 10" lights are standard with 2-pin prefocus socket.
- 12" and 14" lights are standard with medium prefocus socket.
- Bulbs are not included and must be ordered separately.



Perko Fig. 885 Wheel or Lever/Gear Control Solar-Ray® Searchlights



- Fun & Flotation
- Anchor & Dock
- Safety
- Electronics
- Trolling Motors
- Lighting
- Electrical
- Topside Acc.
- Cockpit & Deck
- Instruments
- Steering, Controls
- Perform.
- Fuel System
- Engine & Parts
- Engine Care
- Propellers
- Seating & Pedestals
- Tops & Covers
- Pumps
- Cleaning & Care
- Paint & Paint Acc.
- Hardware, Fasteners
- Trailering
- Misc.
- Comm.

- Wheel Control Assemblies.
 - Turn upper wheel for horizontal position.
 - Turn lower wheel for vertical position.
 - Distance between wheels: 2".
 - Maximum ceiling thickness: 3".
- Lever/Gear Control Assemblies.
 - Aim handle for horizontal position.
 - Twist handle for vertical position.
 - Maximum ceiling thickness: 3-1/2".
- Order head and wheel or lever/gear control assemblies separately.

Order No.	Mfg. No. / Description	Price
526876	(0885 OP1 WHT) Standard Head Assembly 10"	\$1,189.98 F
526888	(0885 OP2 WHT) Standard Head Assembly 12"	\$1,570.98 F
526890	(0885 OP3 WHT) Standard Head Assembly 14"	\$2,152.98 F
527208	(0852 000) Wheel Control Assembly 7-1/2" L	\$389.98 F
527211	(0852 0A0) Wheel Control Assembly 14-1/2" L	\$449.98 F
527223	(0852 0B0) Wheel Control Assembly 21-1/2" L	\$503.98 F
527234	(0852 0C0) Wheel Control Assembly 28-1/2" L	\$570.98 F
527247	(0969 0C0) Lever/Gear Assembly 29-1/2" L	\$1,273.98 F

Perko Spare Parts for 800 Series Solar-Ray® Searchlights



Order No.	Mfg. No. / Description	Price
543202	(0890001) Spare Reflector for 10" Searchlights	\$817.98 D
543214	(0890002) Spare Reflector for 12" Searchlights	\$868.98 D
543226	(0890003) Spare Reflector for 14" Searchlights	\$1,906.98 D
530178	(0910) Spare Retaining Clips	\$58.98 F

See next page for spare sockets and bulbs for Perko 800 Series Solar-Ray® Searchlights

Perko Fig. 884 Lever Control Solar-Ray® Searchlights



Lever Control Assembly



- Aim handle for horizontal position.
- Move handle up and down for vertical position.
- Maximum ceiling thickness: 4-1/2".
- Order head and lever control assemblies separately.

Order No.	Mfg. No. / Description	Price
526838	(0884 OP1 WHT) Standard Head Assembly 10"	\$1,248.98 F
526840	(0884 OP2 WHT) Standard Head Assembly 12"	\$1,626.98 F
526852	(0884 OP3 WHT) Standard Head Assembly 14"	\$2,156.98 F
527108	(0851 000) Lever Control Assembly 8-1/2" L	\$327.98 F
527119	(0851 0A0) Lever Control Assembly 15-1/2" L	\$389.98 F
527121	(0851 0B0) Lever Control Assembly 22-1/2" L	\$449.98 F
527132	(0851 0C0) Lever Control Assembly 29-1/2" L	\$503.98 F

SPARE PARTS FOR FIG. 851 LEVER CONTROL ASSEMBLY

Order No.	Mfg. No. / Description	Price
530015	(0851SPR021) Ceiling Lock	\$111.98 F
530027	(0851SPR022) Lock Knob	\$29.98 F
530053	(0851SPR025) Upper Bushing	\$25.98 F
530077	(0851SPR027) O-Ring Seal	\$19.98 F
530089	(0851SPR028) Lower Bushing	\$25.98 F
530091	(0851SPR029) Handle Shaft	\$33.98 F
530104	(0314SPR040) Handle	\$33.98 F
530116	(0851SPR031) Fulcrum Collar	\$32.98 F
530128	(0851SPR032) Fulcrum Bar	\$28.98 F
530142	(0884SPR055) Fork Seal Bushing	\$25.98 F
530154	(0884SPR056) Base Seal	\$30.98 F

Perko Fig. 887 Distant Electric Control Solar-Ray® Searchlights

Distant Electric Control



- All aluminum with White Perko • Kote finish.
- For 12, 24 and 120 volt.
- Searchlight head assembly comes with Distant Electric Control Base.
- Remote electric.
- Joystick type controller with variable speed control for both horizontal and vertical positioning.
- Nominal drum diameter: 14". Length drum: 17".

CALL FOR PRICES AND AVAILABILITY

SPECIAL HANDLING MAY APPLY



Bulb and Socket Ordering Information for Perko 800 Series Solar-Ray® Searchlights

- Bulbs are not included in lights and must be ordered separately.
- For best results, the bulb and reflector must be perfectly compatible; therefore be sure to specify the stock number of the bulb desired.
- Peak candlepower is exceedingly sensitive to many factors, (i.e. a light source out of focus by 1/32 inch, under-voltage of only 4% or differences between bulb manufactures) which can cause reduction of range of up to 20%.

Incandescent Bulb Recommendations

DMI #	MFG #	Voltage	Wattage	Socket Type	Socket Code Letter	For Searchlight Size	Rated* Life Hours	Mfg. Bulb Code
528806	806	32	500	Medium Screw	B	10", 12", 14"	50	DLT
219887	807	120	500	Medium Prefocus	E	10", 12", 14", 19"	25	CZX/DAB
	809	120	750	Medium Prefocus	E	12", 14", 19"	25	DPJ
	837	120	750	Medium Prefocus	E	12", 14", 19"	200	DDY
	810	120	1,000	Medium Prefocus	E	12", 14", 19"	25	DRS
	811	120	1,000	Mogul Screw	D	12", 14"	50	DRW

"Quartz" Tungsten Halogen Bulb Recommendations

DMI #	MFG #	Voltage	Wattage	Socket Type	Socket Code Letter	For Searchlight Size	Rated* Life Hours	Mfg. Bulb Code
220070	816	12	100	2-Pin Prefocus	F	10", 12", 14"	50	FDT
	836	24	150	2-Pin Prefocus	G	10", 12", 14"	50	DZE/FDS
219825	844	120	500	Medium Prefocus	E	10", 12", 14", 19"	500	BTL
220020	820	120	600	2-Pin Prefocus	I	10", 12", 14"	75	DYS
219837	845	120	750	Medium Prefocus	E	12", 14", 19"	200	BTP
219851	839	120	900	2-Pin Prefocus	K	12", 14"	75	BVA
219849	846	120	1,000	Medium Prefocus	E	12", 14", 19"	200	BTR
	860	230	1,000	Medium Prefocus	E	12", 14", 19"	950	FKD

• Electric bulbs are not returnable unless the fault is ours.

*Note: These are the "Rated Average Laboratory Life in Hours" of the Bulb Manufacturer. No guarantee to the time indicated.

High Pressure Xenon Short Arc Lamp

- Power input: Rated 500W.
- Supply voltage: 50 volts.
- Operating current: 20 amp.
- Rated voltage: 26 volts.
- Luminous flux: 13,100 lm.

Order No.	Mfg. No. / Description	Price
696314	(XW500)	\$598.98 E

High Pressure Xenon Short Arc Lamp

- Power input: Rated 1,000W.
- Supply voltage: 65 volts.
- Operating current: 50 amp.
- Rated voltage: 20 volts.
- Luminous flux: 32,000 lm.

Order No.	Mfg. No. / Description	Price
696316	(XW1000/M)	\$598.98 E

Electric Socket and Support Stand Assemblies

- Perko Solar-Ray Searchlights include a socket and support stand based on the bulb or socket information given when ordering.
- The following chart makes it possible for distributors or dealers to order and stock different styles of these assemblies separately for field conversion, thereby covering a large variety of voltage and candlepower requirements with a minimum of inventory. (Donovan numbers are bold).



Medium Screw Code B



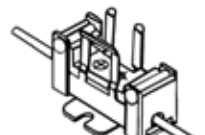
Medium Prefocus Code E



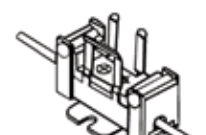
Mogul Screw Code D



Mogul Prefocus Code L and M



2-Pin Prefocus Code K



2-Pin Prefocus Code F, G, H and I

Socket Type	Socket Code	For 10" Searchlights	Height Stand	For 12" Searchlights	Height Stand	For 14" Searchlights	Height Stand
Medium Screw	B	872 001	1-1/4"	872 002	2-1/4"	872 003	3-1/4"
Medium Prefocus	E	530332 (873 001)	1-5/16"	530344 (873 002)	1-15/16"	530356 (873 003)	2-15/16"
Mogul Screw	D	-	-	874 002	7/16"	874 003	1-1/4"
2-Pin Prefocus (12 volt)	F	875 001	3-1/2"	875 002	4-1/2"	875 003	5-1/2"
2-Pin Prefocus (24 volt)	G	876 001	3-1/4"	876 002	4-1/4"	876 003	5-1/4"
2-Pin Prefocus (32 volt)	H	878 001	3-1/4"	878 002	4-1/4"	878 003	5-1/4"
2-Pin Prefocus (600 watt)	I	530421 (879 001)	3-1/8"	879 002	4-1/8"	879 003	5-1/8"
2-Pin Prefocus (900 watt)	K	-	-	880 002	3-13/16"	880 003	4-13/16"

Order No.	Mfg. No. / Description	Price
530458	(0894) Medium Screw Socket Code B	\$25.98 F
530469	(0895) Medium Prefocus Socket Code E	\$191.98 F
530471	(0897) Mogul Screw Socket Code D	\$44.98 F
530483	(0899) 2-Pin Prefocus Socket Codes F, G, H and I	\$46.98 F

Order No.	Mfg. No. / Description	Price
530332	(0873 001) For 10" Searchlights	\$199.98 F
530344	(0873 002) For 12" Searchlights	\$199.98 F
530356	(0873 003) For 14" Searchlights	\$199.98 F
530421	(0879 001) 2-Pin Prefocus for 10" Searchlights	\$162.98 F

- Fun & Flotation
- Anchor & Dock
- Safety
- Electronics
- Trolling Motors
- Lighting**
- Electrical
- Topside Acc.
- Cockpit & Deck
- Instruments
- Steering, Controls
- Perform.
- Fuel System
- Engine & Parts
- Engine Care
- Propellers
- Seating & Pedestals
- Tops & Covers
- Pumps
- Cleaning & Care
- Paint & Paint Acc.
- Hardware, Fasteners
- Trailering
- Misc.
- Comm.

- Fun & Flotation
- Anchor & Dock
- Safety
- Electronics
- Trolling Motors
- Lighting**
- Electrical
- Topside Acc.
- Cockpit & Deck
- Instruments
- Steering, Controls
- Perform.
- Fuel System
- Engine & Parts
- Engine Care
- Propellers
- Seating & Pedestals
- Tops & Covers
- Pumps
- Cleaning & Care
- Paint & Paint Acc.
- Hardware, Fasteners
- Trailer
- Misc.
- Comm.

Perko XR Series 15" Xenon Searchlights



- Designed and manufactured to meet the demanding needs of commercial marine applications.
- The short arc Xenon filled lamps produce an extremely bright and very white light which can be focused in the pilothouse into a narrow long range beam.
- High quality Timkin bearings provide for smooth 380° rotation.
- The XR Series model 9304 searchlight can be operated continuously at 500 watts for a maximum brightness of 35,000,000 candlepower and over 3 mile (IES Handbook) range.
- An iridium coated precision reflector provides for maximum light output and sharp focus.
- The remote control panel controls lamp ignition (start-up) and focus from the pilot house.
- Superior cooling is provided by a heavy duty cooling fan which blows air across the lamp inside the sealed housing.
- Heavy duty marine latches.
- Sealed waterproof construction.
- Heavy rolled marine aluminum housing.
- Safety interlock switch.
- Heavy duty rack and pinion assembly.
- Cast marine aluminum yoke and base.
- Quality ball bearings.
- Nominal drum diameter: 13-3/4".
- 120 VAC.
- NOTE: Lamps are included with complete Searchlights.

Order No.	Mfg. No. / Description	Price
544045	(9304L01WH5) Lever/Gear Control	\$17,967.98 F
544050	(9304E01WH5) Distant Electric Control Base	\$24,255.98 F

Perko 19" Solar-Ray® Searchlight and Control Assemblies



- White Perko • Kote finish.
- These are designed and built with the commercial user in mind where maximum size and brilliance count.
- These units are constructed of marine aluminum with heavy duty castings and heavy gauge reinforced bodies for extra durability.
- Halo deflector.
- Parabolic glass reflector with shock resistant mounting.
- Lower vent cover.
- Hinged front doors have quick release stainless steel latches to provide easy access for bulb replacement.
- Flat black interior finish.
- Slide-lock focusing device behind lower vent.
- Positive non-leaking seals. Heavy duty cast rack and pinion assembly.
- Floating stops in base to allow 400° rotation.
- Extra large cast aluminum base drilled for (4) 1/2" fasteners.

Order No.	Mfg. No. / Description	Price
526600	(1902 004 WHT) Searchlight Head Assembly Only	\$2,599.98 F
526650	(1921 000 WHT) Lever/Gear Control Only, 22" L	\$1,712.98 F
526674	(1922 000 WHT) Wheel Control Only, 20-1/2" L	\$1,752.98 F
543238	(0890004) Spare Reflector	\$2,821.98 D
530229	(0905) Spare Pinion Gear	\$151.98 F

- Solar-Ray searchlight includes a socket, support stand based on the bulb or socket information given when ordering.
- The chart below makes it possible to make your decision.

Socket Type	Socket Code	Socket & Stand Fig. #	Height Stand
Medium Screw	B	872 004	5-3/4"
Medium Prefocus	E	873 004	5-7/16"
Mogul Prefocus (1,500 watt)	L	1930 004	3-5/8"
Mogul Prefocus (1,000 & 2,000 watt)	M	1931 004	3-1/8"
2-Pin Prefocus (900 watt)	K	880 004	7-5/16"

SPECIAL HANDLING MAY APPLY

The Carlisle & Finch Co. 500 Watt Xenon Arc Searchlights



Distant Electrical Control



Lever Gear Control



LEVER GEAR CONTROL - DRUM-SIZE NOMINAL 15"

- This powerful, rugged design, composed of marine grade aluminum and stainless steel, with a high quality salt and scratch resistant powder coat finish. (Optional brass with sparkling chrome finish for yachts).
- The indestructible, nickel reflector produces a precision 1-Degree beam at a powerful 45 million beam candlepower.
- The searchlight focus has safety back-up, with no tools required (if the Focus Motor fails, the beam-size can be adjusted quickly and easily, with an external focus knob).
- The searchlight is mounted on a rugged base, which includes ball bearings held captive within stainless steel races, producing greater than 385 degrees of horizontal rotation with unique sliding stop.
- Remote electric beam-size focus (1 to 15 degrees).
- Voltages: 115VAC.
- Long-life warranted xenon lamp.

Order No.	Mfg. No. / Description	Price
275304	(X9396LG-RF) Head with 70" Lever Gear Control	\$8,006.00 A
275328	(4441X-RF) Control Station	\$345.00 A
275405	(4198PS-1) Power Supply - 115 VAC	\$2,780.00 A

DISTANT ELECTRIC CONTROL

- These units have all the features listed above and also the following.
- "Proportional-Speed" joystick provides aiming and speed control with single-hand.
- Motorized rugged cast base with horizontal and vertical clutch assemblies and ball bearings contained in stainless steel races.
- Fast speed searches at 30 degrees per second.
- Single station or multiple stations.
- Indoor and outdoor weatherproof control stations.
- Optional anti-icing heater circuitry in base, rack and trunnions, digital azimuth indicator, manual back-up (in case of motor failure).

Order No.	Mfg. No. / Description	Price
275435	(X9398-RF) Joystick Electric Control	\$10,015.00 A
275441	(C4-1M-1) Control Station	\$690.00 A
275438	(4198PSDE-1) Power Supply	\$3,540.00 A

Accessories and Parts

Description	10" Scht. Part #	12" Scht. Part #	15" Scht. Part #
Cover, Protective	SL3322A	SL3322A	SL3322B
Cover Glass	SL62	SL102	SL1085
Gasket, Base, DMC	SL3318B	SL3318B	SL3318B
Gasket, Base, High	SL3318B	SL3318B	SL3318B
Gasket, Base, Pedestal	SL3318C	SL3318C	SL3318C
Gasket, Base, Standard	SL3318A	SL3318B	SL3318B
Lampholder, Med. Pref. (273918)	SL1250C	SL1250C	SL1250C
Lampholder, Med. Screw	SL1087-1	SL1087-1	SL1087-1
Lampholder, Mogul Bipost			FE132X
Lampholder, Mogul Screw (274302)		SL96X	SL96X
Lampholder, 2-Pin Pref. (273526)	8704	8704	8704
Reflector	SL1083A (273831)	SL107 (273829)	CL14 (273843)

The Carlisle & Finch Co. 1.0kw and 2.5kw Xenon Arc Searchlights



Distant Electrical Control



Lever Gear Control



LEVER GEAR CONTROL - DRUM-SIZE NOMINAL 19"

- This powerful, rugged design, composed of marine grade aluminum and stainless steel, with a high quality salt and scratch resistant powder coat finish. (Optional brass with sparkling chrome finish for yachts).
- The indestructible, nickel reflector produces a precision 1-Degree beam at a powerful 80 million (1.0kw) and 150 million (2.5kw) beam candlepower.
- The searchlight focus has safety back-up, with no tools required (if the Focus Motor fails, the beam-size can be adjusted quickly and easily, with an external focus knob).
- The searchlight is mounted on a rugged base, which includes ball bearings held captive within stainless steel races, producing greater than 385 degrees of horizontal rotation with unique sliding stop.
- Remote electric beam-size focus (1 to 15 degrees).
- Voltages: 3-phase 208/240 VAC, 380 VAC, 480 VAC or 575 VAC.
- Long-life warranted xenon lamp.

Order No.	Mfg. No. / Description	Price
275417	(XE9664LG-RF) Head with 46" (LTS) Lever Gear Control	\$10,544.50 A
275431	(9754X-RF) Control Station	\$375.00 A
275429	(5275PS2-1) Power Supply	\$4,665.00 A

DISTANT ELECTRIC CONTROL

- Motorized rugged cast base with horizontal and vertical clutch.
- Assemblies and ball bearings contained in stainless steel races.
- Exceeds 380 degrees horizontal rotation.
- 8-position joystick provides simultaneous vertical and horizontal movement.
- Speed control dial changes beam speed from 0 to 27 degrees per second.
- Single station or multiple stations.
- Indoor and outdoor weatherproof control stations.
- Optional anti-icing heater circuitry in base, rack and trunnions.
- Optional digital azimuth indicator.
- Optional manual back-up (in case of motor failure).

How to Order Searchlights

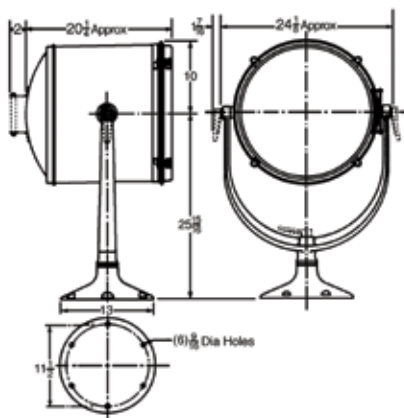
- Specify size searchlight, type control, type base, type drum, type finish, type lampholder, and give code word or catalog number.
- Give ordering code and volts of lamp.
- Specify length of control (measured from bottom of base to centerline of lever or upper wheel) if other than the standard dimensions shown on the dimension drawings.
- Specify pedestal height (measured from bottom of base to centerline of drum) if different from the standard 48 inches.
- Example: 12" searchlights, lever control, standard base, vented drum, enamel finish, medium prefocus lampholder, code RECITE-E2. Special length control 22" base to centerline lever. Two lamps code 54889-0 120 volts.
- To designate the specific lampholder desired add one of the following suffixes to the code word or catalog number:
 - Medium Screw Lampholder -1
 - Medium Prefocus Lampholder -2
 - Mogul Screw Lampholder -3
 - Mogul Bipost Lampholder -4
 - 2-Pin Prefocus Lampholder -5

SPECIAL HANDLING MAY APPLY



- Fun & Flotation
- Anchor & Dock
- Safety
- Electronics
- Trolling Motors
- Lighting
- Electrical
- Topside Acc.
- Cockpit & Deck
- Instruments
- Steering, Controls
- Perform.
- Fuel System
- Engine & Parts
- Engine Care
- Propellers
- Seating & Pedestals
- Tops & Covers
- Pumps
- Cleaning & Care
- Paint & Paint Acc.
- Hardware, Fasteners
- Trailering
- Misc.
- Comm.

The Carlisle & Finch Co. 19" Incandescent Halogen Searchlights



• Beam characteristics of 19" incandescent searchlights with various lamps.

• Price On Request

LAMP DATA

BEAM CHARACTERISTICS

	Watts	Volts	Bulb Size	Base	Filament	Service	Average Hours Life	Code	Peak Beam Candlepower	Horizontal Spread	Vertical Spread
Safety	750	120	T20	Medium Prefocus	C13D	Projection	25	DPJ	4,260,000	3.5°	3.6°
	1,000	120	T20	Mogul Bipost	C13D	Projection	25	DRE	4,200,000	4.5°	4.2°
Electronics	1,000	120	T20	Mogul Prefocus	C13D	Projection	25	DSB	4,410,000	4.5°	4.2°
	1,000	120	T20	Mogul Screw	C13D	Projection	25	DRW	4,410,000	4.5°	4.2°
Trolling Motors	1,000	120	G40	Mogul Screw	C13D	Split	25	1M/1M/G40/1	3,200,000	4.4°	5.4°
	1,000	120		3 Contact	C13	Flood	25		475,000	15°	15°
Lighting	1,000	120	T20	Medium Prefocus	C13D	Projection	200	1M/T20P/SP	2,680,000	5°	5°
	1,000	120	T20	Medium Prefocus	C13D	Projection	25	DRS	4,410,000	4°	4.3°
Electrical	1,000	120	T20	Mogul Bipost	C13	Aero	500	1M/T20BP	2,381,000	5.4°	5.4°
	1,000	120	T20	Mogul Prefocus	C13	Aero	500	1M/20P/AB	1,750,000	5.4°	5.4°
Topside Acc.	1,000	120	T20	Mogul Prefocus	C13	Projection	50	DPW	2,700,000	5.6°	5.2°
	1,000	120	T20	Mogul Screw	C13	Aero	500	1M/T20AB	1,750,000	5.4°	5.4°
Cockpit & Deck	1,000	120	T20	Mogul Screw	C13	Projection	50	DPT	2,700,000	5.6°	5.2°
	1,000	120	T20	Medium Prefocus	C13	Projection	50	DRC	2,700,000	3.3°	5.2°
Instruments	1,500	120	T20	Mogul Bipost	C13D	Projection	25	DTS	4,750,000	4.4°	4.5°
	1,500	120	T20	Mogul Prefocus	C13D	Projection	25	DTJ	4,750,000	4.4°	4.5°
Steering, Controls	1,500	120	G40	Mogul Screw	C5	Split	200	1500G40/15	1,750,000	10°	7°
	2,000	120	G48	Mogul Bipost	C13	Split	200	2M/G48/17	2,750,000	7.4°	6.5°

The Carlisle & Finch Co. 10", 12" and 15" All Brass Incandescent Halogen Searchlights

SEARCHLIGHT LAMP DATA

	DMI #	Ref.	Code	watts	volts	Bulb Size	Base	Description	Filament	Average Hrs. Life	10" Scht.	12" Scht.	15" Scht.
Engine Care	220070	21.5	FDT	100	12	T4	2-Pin Prefocus	Tungsten Halogen	C6	50	765,000	1,170,000	1,750,000
		23.01	FDS	150	24	T4	2-Pin Prefocus	Tungsten Halogen	C6	500	935,000	1,380,000	2,030,000
		35	CRX	300	32	T12	Medium Screw	Projection	C13	50	417,000	705,000	1,110,000
Propellers	219825	46.5	BTM	500	120	T6	Medium Prefocus	Tungsten Halogen	C13D	100	950,000	1,160,000	2,080,000
		219887	47	CZX	500	120	T10	Medium Prefocus	Projection	C13D	25	900,000	1,170,000
Seating & Pedestals	528806	49	DLY	500	32	T20	Medium Prefocus	Projection	C13	50	630,000	750,000	
		50	DLT	500	32	T20	Medium Screw	Projection	C13	50	630,000	750,000	
Tops & Covers	220020	51	DMX	500	120	T20	Medium Prefocus	Projection	C13	50	475,000	780,000	
		52	DMS	500	120	T20	Medium Screw	Projection	C13	50	475,000	780,000	
Pumps	219899	53.8	DYS	600	120	G7	2-Pin Prefocus	Tungsten Halogen	CC6	75	**781,000	1,130,000	1,840,000
		54.6	DCX	750	120	T20	Medium Screw	Tungsten Halogen	C13D	500	Not Used	1,520,000	2,820,000
Cleaning & Care		58	DPJ	750	120	T20	Medium Prefocus	Projection	C13D	25	Not Used	1,360,000	3,280,000

LAMPS BELOW TO BE USED IN VENTED DRUMS ONLY

	DMI #	Ref.	Code	watts	volts	Bulb Size	Base	Description	Filament	Average Hrs. Life	10" Scht.	12" Scht.	15" Scht.
Hardware, Fasteners	219849	68.06	BTR	1,000	120	T7	Medium Prefocus	Tungsten Halogen	C13D	200	Not Used	1,520,000	2,820,000
		70	DRS	1,000	120	T20	Medium Prefocus	Projection	C13D	25	Not Used	1,650,000	3,280,000
		80	DRW	1,000	120	T20	Medium Screw	Projection	C13D	25	Not Used	1,650,000	3,130,000

* These lamp manufacturer's figures are relative only. Individual lamps may vary considerably. ** Intermittent duty only (one hour or less).



SPECIAL HANDLING MAY APPLY

The Carlisle & Finch Co. 10", 12" and 15" Incandescent Halogen Searchlight Selection Table



10" INCANDESCENT HALOGEN SEARCHLIGHT

Type Control	Type Base	Type Drum	Enamel Finish (Scht. Code Word)	Polished Finish (Scht. Code Word)	Chromium Finish (Scht. Code Word)	Net Wt.	Shipping Wt.
Local	Standard	Non Vented	RAIN-E	RAIN	CRAIN	15 lbs.	21 lbs.
Local	High	Non Vented	ROSE-E	ROSE	CROSE	22 lbs.	28 lbs.
Local	Pedestal	Non Vented	RAJAH-E	RAJAH	CRAJAH	29 lbs.	59 lbs.
Lever	Standard	Non Vented	REDAN-E	REDAN	CREDAN	19 lbs.	25 lbs.
Lever	High	Non Vented	REFORM-E	REFORM	CREFORM	27 lbs.	33 lbs.
Lever	Pedestal	Non Vented	10SL1624XE	10SL1624X	10SL1624XC	34 lbs.	55 lbs.
Lever-Gear	Standard	Non Vented	10SL8425E	10SL8425P	10SL8425C	22 lbs.	28 lbs.
Lever-Gear	High	Non Vented	10SL8426E	10SL8426P	10SL8426C	30 lbs.	36 lbs.
Lever-Gear	Pedestal	Non Vented	10SL8427E	10SL8427P	10SL8427C	37 lbs.	58 lbs.
Wheel	Standard	Non Vented	RANK-E	RANK	CRANK	19 lbs.	25 lbs.
Wheel	High	Non Vented	ROPE-E	ROPE	CROPE	27 lbs.	33 lbs.
Wheel	Pedestal	Non Vented	10SL1620XE	10SL1620X	10SL1620XC	37 lbs.	55 lbs.
DMC	Standard	Non Vented	10SL200E	10SL200P	10SL200C	32 lbs.	53 lbs.

12" INCANDESCENT HALOGEN SEARCHLIGHT

Type Control	Type Base	Type Drum	Enamel Finish (Scht. Code Word)	Polished Finish (Scht. Code Word)	Chromium Finish (Scht. Code Word)	Net Wt.	Shipping Wt.
Local	Standard	Non Vented	RAKE-E	RAKE	CRAKE	22 lbs.	31 lbs.
		Vented	RATE-E	RATE	CRATE	22 lbs.	31 lbs.
Local	High	Non Vented	ROME-E	ROME	CROME	27 lbs.	36 lbs.
		Vented	RUN-E	RUN	CRUN	27 lbs.	36 lbs.
Local	Pedestal	Non Vented	RETARD-E	RETARD	CRETARD	34 lbs.	64 lbs.
		Vented	12SL1648XE	12SL1648X	12SL1648XC	34 lbs.	64 lbs.
Lever	Standard	Non Vented	REDEEM-E	REDEEM	CREDEEM	26 lbs.	35 lbs.
		Vented	RECITE-E	RECITE	CRECITE	26 lbs.	35 lbs.
Lever	High	Non Vented	REFUGE-E	REFUGE	CREFUGE	32 lbs.	41 lbs.
		Vented	RESIN-E	RESIN	CRESIN	32 lbs.	41 lbs.
Lever	Pedestal	Non Vented	12SL1625XE	12SL1625X	12SL1625XC	39 lbs.	60 lbs.
		Vented	12SL1650XE	12SL1650X	12SL1650XC	39 lbs.	60 lbs.
Lever-Gear	Standard	Non Vented	12SL8186E	12SL8186P	12SL8186C	29 lbs.	38 lbs.
		Vented	12SL8186VE	12SL8186VP	12SL8186VC	29 lbs.	38 lbs.
Lever-Gear	High	Non Vented	12SL8410E	12SL8410P	12SL8410C	35 lbs.	44 lbs.
		Vented	12SL8410VE	12SL8410VP	12SL8410VC	35 lbs.	44 lbs.
Lever-Gear	Pedestal	Non Vented	12SL8428E	12SL8428P	12SL8428C	42 lbs.	63 lbs.
		Vented	12SL8428VE	12SL8428VP	12SL8428VC	42 lbs.	63 lbs.
Wheel	Standard	Non Vented	RASP-E	RASP	CRASP	26 lbs.	35 lbs.
		Vented	REAR-E	REAR	CREAR	26 lbs.	35 lbs.
Wheel	High	Non Vented	RUSE-E	RUSE	CRUSE	32 lbs.	41 lbs.
		Vented	RIPE-E	RIPE	CRIFE	32 lbs.	41 lbs.
Wheel	Pedestal	Non Vented	12SL1621XE	12SL1621X	12SL1621XC	39 lbs.	60 lbs.
		Vented	12SL1649XE	12SL1649X	12SL1649XC	39 lbs.	60 lbs.
DMC	Standard	Non Vented	12SL201E	12SL201P	12SL201C	37 lbs.	58 lbs.
		Vented	12SL203E	12SL203P	12SL203C	37 lbs.	58 lbs.

Fun & Flotation

Anchor & Dock

Safety

Electronics

Trolling Motors

Lighting

Electrical

Topside Acc.

Cockpit & Deck

Instruments

Steering, Controls

Perform.

Fuel System

Engine & Parts

Engine Care

Propellers

Seating & Pedestals

Tops & Covers

Pumps

Cleaning & Care

Paint & Paint Acc.

Hardware, Fasteners

Trailering

Misc.

Comm.

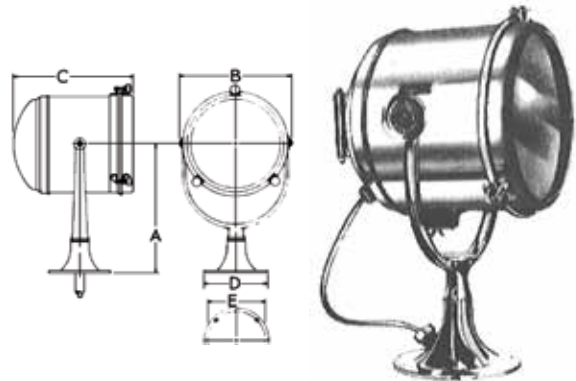
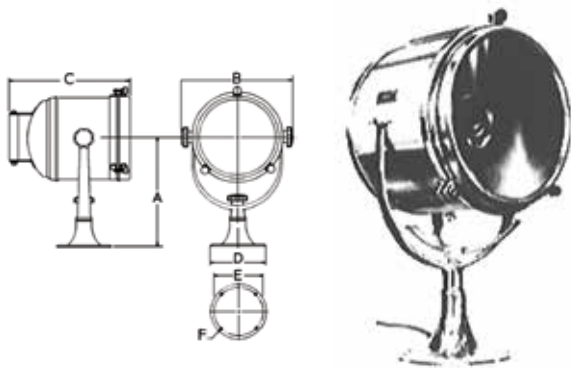
The Carlisle & Finch Co. 10", 12" and 15" Incandescent Halogen Searchlight Selection Table



15" INCANDESCENT HALOGEN SEARCHLIGHT

Type Control	Type Base	Type Drum	Enamel Finish (Scht. Code Word)	Polished Finish (Scht. Code Word)	Chromium Finish (Scht. Code Word)	Net Wt.	Shipping Wt.
Local	Standard	Non Vented	REDGUM-E	REDGUM	CREDGUM	39 lbs.	51 lbs.
		Vented	REDGUM-VE	REDGUM-V	CREDGUM-V	39 lbs.	51 lbs.
Local	High	Non Vented	REEL-E	REEL	CREEL	44 lbs.	56 lbs.
		Vented	REEL-VE	REEL-V	CREEL-V	44 lbs.	56 lbs.
Local	Pedestal	Non Vented	RONTY-E	RONTY	CRONTY	50 lbs.	80 lbs.
		Vented	RONTY-VE	RONTY-V	CRONTY-V	50 lbs.	80 lbs.
Lever	Standard	Non Vented	RADIAL-E	RADIAL	CRADIAL	43 lbs.	55 lbs.
		Vented	RADIAL-VE	RADIAL-V	CRADIAL-V	43 lbs.	55 lbs.
Lever	High	Non Vented	RAINBOW-E	RAINBOW	CRAINBOW	49 lbs.	61 lbs.
		Vented	RAINBOW-VE	RAINBOW-V	CRAINBOW-V	49 lbs.	61 lbs.
Lever	Pedestal	Non Vented	15SL1626XE	15SL1626X	15SL1626XC	56 lbs.	77 lbs.
		Vented	15SL1626XVE	15SL1626XV	15SL1626XVC	56 lbs.	77 lbs.
Lever-Gear	Standard	Non Vented	15SL8184E	15SL8184P	15SL8184C	46 lbs.	58 lbs.
		Vented	15SL8184VE	15SL8184VP	15SL8184VC	46 lbs.	58 lbs.
Lever-Gear	High	Non Vented	15SL8408E	15SL8408P	15SL8408C	52 lbs.	64 lbs.
		Vented	15SL8408VE	15SL8408VP	15SL8408VC	52 lbs.	64 lbs.
Lever-Gear	Pedestal	Non Vented	15SL8429E	15SL8429P	15SL8429C	59 lbs.	80 lbs.
		Vented	15SL8429VE	15SL8429VP	15SL8429VC	59 lbs.	80 lbs.
Wheel	Standard	Non Vented	RACKET-E	RACKET	CRACKET	43 lbs.	55 lbs.
		Vented	RACKET-VE	RACKET-V	CRACKET-V	43 lbs.	55 lbs.
Wheel	High	Non Vented	RABBIT-E	RABBIT	CRABBIT	49 lbs.	61 lbs.
		Vented	RABBIT-VE	RABBIT-V	CRABBIT-V	49 lbs.	61 lbs.
Wheel	Pedestal	Non Vented	15SL1622XE	15SL1622X	15SL1622XC	56 lbs.	77 lbs.
		Vented	15SL1622XVE	15SL1622XV	15SL1622XVC	56 lbs.	77 lbs.
DMC	Standard	Non Vented	15SL202E	15SL202	15SL202C	54 lbs.	75 lbs.
		Vented	15SL202VE	15SL202V	15SL202VC	54 lbs.	75 lbs.

The Carlisle & Finch Co. 10", 12" and 15" All Brass Incandescent Halogen Searchlights



STANDARD BASE MANUAL CONTROLS BELOW

Size	A	B	C	D	E	F
10"	12-3/4"	11"	10"	6-3/8"	5-3/8"	11/32"
12"	15-15/16"	13-1/2"	13-1/4"	8-1/4"	7-3/8"	13/32"
15"	19-7/8"	16-3/4"	14-7/8"	8-1/4"	7-3/8"	13/32"

LOCAL CONTROL STANDARD BASE

Size	A	B	C	D	E	F
10"	12-3/4"	13-1/8"	12"	6-3/8"	5-3/8"	11/32"
12"	15-15/16"	15-5/8"	15-1/2"	8-1/4"	7-3/8"	13/32"
15"	19-7/8"	18-7/8"	16-7/8"	8-1/4"	7-3/8"	13/32"

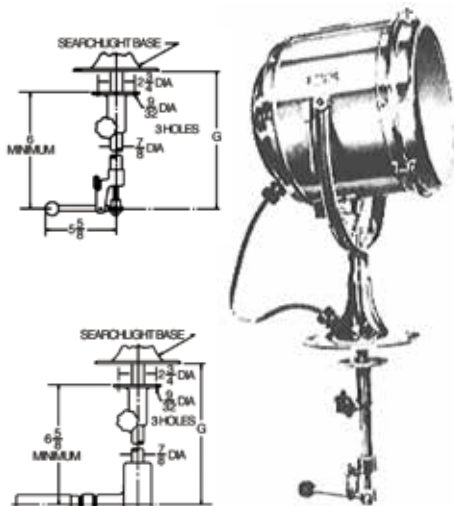
- Fun & Flotation
- Anchor & Dock
- Safety
- Electronics
- Trolling Motors
- Lighting
- Electrical
- Topside Acc.
- Cockpit & Deck
- Instruments
- Steering, Controls
- Perform.
- Fuel System
- Engine & Parts
- Engine Care
- Propellers
- Seating & Pedestals
- Tops & Covers
- Pumps
- Cleaning & Care
- Paint & Paint Acc.
- Hardware, Fasteners
- Trailing
- Misc.
- Comm.

The Carlisle & Finch Co. 10", 12" and 15" All Brass Incandescent Halogen Searchlights



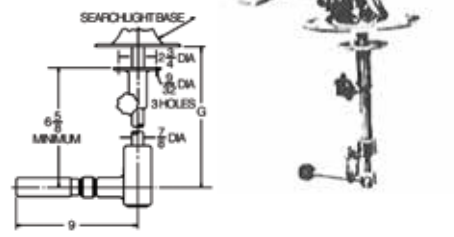
LEVER CONTROL

Size	G
10"	11-3/8"
12"	10-7/8"
15"	10-7/8"



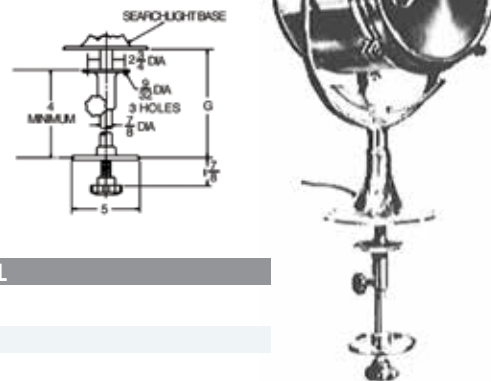
LEVER-GEAR CONTROL

Size	G
10"	11-3/8"
12"	10-7/8"
15"	10-7/8"



WHEEL CONTROL

Size	G
10"	9-1/2"
12"	9"
15"	9"



Other Products • Price On Request

10", 12", 15" Distant Electric Control • 19" Incandescent Searchlights • 24" Searchlights • Xenon Searchlights • Carbon Arc Searchlights Searchlight Power Supplies • Signaling Searchlights • Marine Floodlights • Navy Searchlights/Navigation Lights • Lighthouse Beacons

The Carlisle & Finch Co. 10" Searchlight with 2-Pin Prefocus Socket



PAINTED FINISH

Order No.	Mfg. No. / Description	Price
274489	(REDAN-E5) Lever Control 18" Longer than Standard	\$1,872.00 D
274542	(RANK-E5) Wheel Control 12" Longer than Standard	\$1,848.00 D

SPARE REFLECTOR FOR 10" SEARCHLIGHT

Order No.	Mfg. No. / Description	Price
273831	(SL1083A) Diameter 9"	\$229.98 B

The Carlisle & Finch Co. 15" Searchlight with Medium Prefocus Socket



PAINTED FINISH - VENTED DRUM

Order No.	Mfg. No. / Description	Price
274655	(RACKET-VE2) Wheel Control 24" Longer than Standard	\$3,041.00 D

SPARE REFLECTOR FOR 15" SEARCHLIGHT

Order No.	Mfg. No. / Description	Price
273843	(SL1084) Diameter 14-3/16"	\$550.98 B

Spare Common Parts for 10", 12" and 15" Searchlights

Order No.	Mfg. No. / Description	Price
274047	(K5482) Pinion Gear f/Wheel Control	\$45.00 A
273969	(SL1937) Reflector Mnt. Clips, 4 Per Light	\$4.50 A
273526	(8704) 2-Pin Prefocus Socket Only	\$32.00 A

The Carlisle & Finch Co. 12" Searchlight with Medium Prefocus Socket



PAINTED FINISH - VENTED DRUM

Order No.	Mfg. No. / Description	Price
274631	(RECITE-E2) Lever Control 18" Longer than Standard	\$2,457.00 D
274605	(REAR-E2.) Wheel Control 24" Longer than Standard	\$2,481.00 D
274592	(REAR-E2) Wheel Control 6" Longer than Standard	\$2,409.00 D

SPARE PARTS FOR 12" SEARCHLIGHT

Order No.	Mfg. No. / Description	Price
273690	(9865XV) Med. Prefocus Socket with Mnt. Stand	\$216.00 A
273829	(SL107) Reflector, Diameter 10-15/16"	\$280.98 B

The Carlisle & Finch Co. 19" Searchlight with Medium Prefocus Socket



PAINTED BRASS AND STAINLESS STEEL DRUM

Order No.	Mfg. No. / Description	Price
274779	(19SL3794DX) Lever Control 24" Longer than Standard	\$3,588.00 B
274782	(19SL3794DX) Lever Control 48" Longer than Standard	\$3,678.00 B
274681	(REDCOAT-D-48) Wheel Control 48" Longer than Standard	\$3,398.00 B

SPARE PARTS FOR 19" SEARCHLIGHT

Order No.	Mfg. No. / Description	Price
273754	(KEF217) Pinion Gear, Wheel/Lever Gear Control	\$45.00 A
273766	(EF240) Reflector, Diameter 18-1/8"	\$744.98 B
273970	(SL1461/1455) Reflector Clamp Assembly 19"	\$14.98 A

Spare Common Parts for 10", 12" and 15" Searchlights

Order No.	Mfg. No. / Description	Price
273918	(SL1250C) Med. Prefocus Socket Only	\$65.00 A
274302	(SL96X) Magul Screw Socket Only	\$65.00 A

SPECIAL HANDLING MAY APPLY



- Fun & Flotation
- Anchor & Dock
- Safety
- Electronics
- Trolling Motors
- Lighting
- Electrical
- Topside Acc.
- Cockpit & Deck
- Instruments
- Steering, Controls
- Perform.
- Fuel System
- Engine & Parts
- Engine Care
- Propellers
- Seating & Pedestals
- Tops & Covers
- Pumps
- Cleaning & Care
- Paint & Paint Acc.
- Hardware, Fasteners
- Trailering
- Misc.
- Comm.

The Carlisle & Finch Co. 12" Searchlights - Distant Electric Control (DEC)



- Rugged drive unit is housed in watertight corrosion resistant marine aluminum or brass base as specified.
- Base is brass.
- Drum/door and yoke is white enamel.
- Drum, door, and yoke, etc., constructed of solid brass.
- Powerful motors in weatherproof base direct the penetrating beam with fingertip ease from any distance.
- Automatic brakes provide instant start and instant stop with no overtravel.
- Complete flexibility in mounting.
- Searchlight can be controlled from many separate locations.
- Vented.
- Motors operate on 110-125 volts, 50-60 hz (cycles).
- Rugged joystick switch controls both motions.
- No limit to distance between searchlight and joystick.
- Second, third, fourth, or more joysticks can be added at any time.
- Just five control conductors and a ground conductor required between searchlight and joystick.
- Slip clutches allow manual override at all times, a convenience when relamping.
- Either way, one standard unit is used.
- No interlocks required.
- Corrosion resistant and oiltight, the joystick can be mounted almost anywhere.
- A small heater on drive unit keeps temperature in base housing above ambient to minimize condensation on and in motors.
- Uses medium prefocus lampholder.



Order No.	Mfg. No. / Description	Price
274908	(125BEV-2) Includes: 12" Brass Control	\$4,114.00 B

AVAILABLE IN 10", 12" AND 15" PRICE ON REQUEST

Medium Screw Bulbs - Low Voltage



• Sold each.

Order No.	Mfg. No. / Description	Price
220150	(2266B) 12 volt 5 watt	\$6.98 L
220157	(00068B) 12 volt 15 watt	\$4.99 L
220195	(00103C) 12 volt 25 watt	\$6.98 L
220234	(00220A) 12 volt 50 watt	\$4.02 L
220235	(00287C) 12 volt 75 watt	\$4.25 L
220121	(00326A) 12 volt 100 watt	\$5.98 L
220208	(01626A) 24 volt 25 watt	\$6.98 L
220246	(01558A) 24 volt 50 watt	\$6.98 L
220169	(01593A) 34 volt 15 watt	\$6.98 L
220210	(01551C) 34 volt 25 watt	\$6.98 L
220258	(01554C) 34 volt 50 watt	\$6.98 L
220094	(07453D) 34 volt 100 watt	\$6.98 L

The Carlisle & Finch Co. Accessories and Parts

Order No.	Mfg. No. / Description	Price
273971	(SL1461) Fixed Spring	POR
273972	(SL1455) Clamp Spring	POR
273981	(SL3455XA) Lever Gear Assembly	POR
274050	(K4729-1) Pinion Gear for 500 watt Xenon Searchlight	POR
274934	(X9398-RF-NO)	POR
274958	(8672XS) Control Assembly	POR
274959	(4799X-RFS) Control Station	POR

Suez Canal Searchlight - 2,000W/3,000W Halogen



- Designed to meet applicable marine requirements.
- Certified in accordance with Suez Canal Authorities.
- The searchlight is made of seawater resistant aluminum finished in white polyester.
- The searchlight can be stored under deck and easily moved from the storage and mounted on deck, due to its low weight and convenient lifting handles.
- When not in use, it can easily be removed to a bow in a storage room by one person.
- Handles for lifting are provided for this purpose.
- Designed for Halogen lamps 2,000W or 3,000W included.
- Front glass made of hardened glass.
- Controllable brushed aluminum split reflectors to product two beam sectors in accordance to regulations.
- Equipped with dual reflector lamps with external switch-over arrangement in case of burn out.
- A protection cover can also be attached to the front glass to prevent damages.
- It is gas tight, pressure tested and equipped with a safety valve.
- A 1/4" rubber hose may be connected to the escape valve transferring hot air to a gas-free zone.
- The searchlight drum weighs only 30 kg which simplifies installation.

MANUFACTURED BY NORSELIGHT PRICE ON REQUEST

Searchlight Projection Bulb



- MFG. Bulb Code: DDB.
- Voltage: 120, wattage: 750, socket type: Medium screw base (1).

Order No.	Mfg. No. / Description	Price
219926	(1264A DDB)	\$39.98 LQ

Medium Screw Bulbs - 130 Volt



Order No.	Mfg. No. / Description	Price
569232	(00350D) 100 watt Frosted Bulb	\$5.98 L
569244	(9701C) 60 watt Frosted Bulb	\$2.71 B
569268	(00070E) 15 watt Frosted Bulb	\$2.98 LQ
569304	(00037C) 7.5 watt S.B. Blue Bulb	\$2.98 L
569307	(00262B) 60 watt Yellow "Bug Light" Bulb	\$3.19 B

SPECIAL HANDLING MAY APPLY

- Fun & Flotation
- Anchor & Dock
- Safety
- Electronics
- Trolling Motors
- Lighting
- Electrical
- Topside Acc.
- Cockpit & Deck
- Instruments
- Steering, Controls
- Perform.
- Fuel System
- Engine & Parts
- Engine Care
- Propellers
- Seating & Pedestals
- Tops & Covers
- Pumps
- Cleaning & Care
- Paint & Paint Acc.
- Hardware, Fasteners
- Trailerling
- Misc.
- Comm.



Marpac Mini Bayonet Base Bulbs



- Sold 2 per card, Box of 5 cards only.

Order No.	Description	Price
7-3905	14.4 volt 1.7 watt	\$2.44 G
7-3910	14 volt 3.4 watt	\$2.44 G
7-4000	14 volt 3.8 watt	\$3.85 G

Miniature Bayonet Base Bulbs



- Sold each. Standard pack 10.

Order No.	Mfg. No. / Description	Price
219786	(181255) 14 volt .27 amp	\$1.50 I
569320	(05951A) 5.1 volt .15 amp	\$2.98 LQ

Miniature Bayonet Base Bulb



- Sold each. Standard pack 10.

Order No.	Mfg. No. / Description	Price
219460	(182035) 12 volt, .58 amp	\$0.84 I

Miniature Bayonet Base Bulb



- Sold each. Standard pack 10.

Order No.	Mfg. No. / Description	Price
219433	(181025) 14.4 volt, .12 amp	\$1.65 I

Miniature Bayonet Base Bulbs



- Sold each. Standard pack 10.

Order No.	Mfg. No. / Description	Price
219724	(182235) 12 volt, .33 amp	\$1.21 I
219765	(04133A) 5 volt, .09 amp, for Guest Anchor Light (461)	\$3.32 I

Marpac 360° L.E.D. Replacement Bulb



- Double contact. 12 volt.
- Long Life LED replaces the most popular sternlight bulbs on the market.
- Direct replacement for #90 incandescent bulb.
- Low power consumption, yet ultra bright.

Order No.	Description	Price
7-7200	360° LED Replacement Bulb	\$16.98 G

Marpac Double Contact Bayonet Base Bulbs



- Sold 2 per card, Box of 5 cards only.

Order No.	Description	Price
7-3920	(68) 13.5 volt 8 watt	\$3.34 G
7-3936	(90) 13 volt 7.5 watt	\$3.34 G
7-3946	(94) 12.8 volt 13.3 watt	\$4.19 G
7-3966	(1004) 12.8 volt 12 watt	\$3.51 G
7-3970	(1034) 12.8 volt 23 watt	\$3.51 G
7-3980	(1142) 12.8 volt 18.4 watt	\$3.51 G
7-3991	(1157) 12 volt	\$3.06 G

Perko Fig. 374 Double Contact Bayonet Bulbs



- Clear Type T-8. C-8. Filament, length 1-3/8".
- 30 watt.
- Standard pack 50.

Order No.	Mfg. No. / Description	Price
528387	(0374 001 CLR) 12 volt	\$50.98 I
528399	(0374 002 CLR) 24 volt	\$50.98 I
528402	(0374 003 CLR) 32 volt	\$50.98 I
528414	(0374 004 CLR) 120 volt	\$59.98 I

Perko Fig. 375 Double Contact Bayonet Indexing Base Bulbs



- Standard pack 50.

Order No.	Mfg. No. / Description	Price
528503	(0375 12V 10W) 12 volt, .83 amp	\$52.98 I
528515	(0375 12V 25W) 12 volt, 2.08 amp	\$58.98 I
528527	(0375 24V 25W) 24 volt, 1.04 amp	\$58.98 I
528539	(0375 32V 25W) 32 volt, .78 amp	\$70.98 I

Perko Double Contact Bayonet Base Bulb



Order No.	Mfg. No. / Description	Price
544469	(0337 R12 DP) Red, 2 Pack	\$47.98 R

Double Contact Bayonet Base Bulb



- Price each. Standard pack 10.

Order No.	Mfg. No. / Description	Price
219534	(181165) 12.8 volt, 12 watt, 15 c.p.	\$2.16 I

Double Contact Bayonet Base Bulbs



- Price each. Standard pack 10.

Order No.	Mfg. No. / Description	Price
219457	(181065) 13.5 volt, 8 watt, 4 c.p.	\$2.34 I
219469	(181105) 13 volt, 7.5 watt, 6 c.p.	\$1.72 I
219635	(182245) 28 volt, 3 c.p.	\$3.14 I

Double Contact Bayonet Base Bulbs



- Price each. Standard pack 10.

Order No.	Mfg. No. / Description	Price
219471	(181125) 12.8 volt, 13.3 watt, 15 c.p.	\$2.23 I
219572	(181205) 12.8 volt, 18.4 watt, 21 c.p.	\$2.12 I

Double Contact Bayonet Base Bulb



- Price each. Standard pack 10.

Order No.	Mfg. No. / Description	Price
219800	(00090C) 130 volt, 15 watt	\$1.98 I

Fun & Flotation

Anchor & Dock

Safety

Electronics

Trolling Motors

Lighting

Electrical

Topside Acc.

Cockpit & Deck

Instruments

Steering, Controls

Perform.

Fuel System

Engine & Parts

Engine Care

Propellers

Seating & Pedestals

Tops & Covers

Pumps

Cleaning & Care

Paint & Paint Acc.

Hardware, Fasteners

Trailering

Misc.

Comm.

Double Contact Index Bayonet Base Bulbs



• Price each. Standard pack 10.

Order No.	Mfg. No. / Description	Price
219558	(181175) 12.8 volt, 14 watt, 32 c.p.	\$2.16
219596	(181235) 12.8 volt, 14 watt, 32 c.p.	\$1.50

Oblong Medium Screw Bulbs (T10)



• Sold each.

Order No.	Mfg. No. / Description	Price
220311	(00212A) 130 volt	\$3.00

Marpac Wedge Base Bulbs



• Sold 2 per card, Box of 5 cards only.

Order No.	Description	Price
7-3925	14 volt 2.1 watt	\$3.63 G
7-3951	14 volt 3.8 watt	\$2.04 G

Perko Bulbs - Double Ended



• Sold 2 bulbs per card. Standard pack 5.

Order No.	Mfg. No. / Description	Price
5315143	(71DP8CLR) 12 volt, 8 watt, Length 1-1/8"	\$17.98 H
541530	(0069 DP0 CLR) 12 volt, 8 watt, Length 1-5/8"	\$16.98 R
541626	(0070 DP0 CLR) 12 volt, 10 watt, Length 1-11/16"	\$12.98 R
541739	(0071 DP0 CLR) 12 volt, 10 watt, Length 1-1/8"	\$11.98 R
541638	(0070 DP1 CLR) 12 volt, 15 watt, Length 1-11/16"	\$13.98 R
541740	(0072 DP1 CLR) 24 volt, 10 watt, Length 1-1/8"	\$19.98 R
541640	(0070 DP2 CLR) 32 volt, 12 watt, Length 1-5/8"	\$14.98 R

Marpac Single Contact Bayonet Base Bulbs



• Sold 2 per card, Box of 5 cards only.

Order No.	Description	Price
7-3915	(67) 13.5 volt 8 watt	\$3.34 G
7-3930	(71) 2.2 volt 0.4 watt	\$4.08 G
7-3940	(93) 12.8 volt 13.3 watt	\$3.34 G
7-3975	(1141) 12.8 volt 18.4 watt	\$3.51 G
7-3986	(1156) 12.8 volt 26.9 watt	\$3.06 G

Miniature Screw Bulbs



• Price each. Standard pack 10.

Order No.	Mfg. No. / Description	Price
569206	(01168B) 5.1 volt, .15 amp	\$2.00 B
662571	(03022B) Miniature Pigtaills	\$3.50 F

Perko Fig. 338 Wedge Base Bulbs



• 12 volt.
• Price 2 bulbs per card. Standard pack 5.

Order No.	Mfg. No. / Description	Price
5315124	(338DP1CLR) 5 watt, .35 amp	\$9.98 H
537475	(0338 DP2 CLR) 9 watt, .69 amp	\$9.98 R

Marpac Festoon Bulbs



• Sold 2 per card, Box of 5 cards only.

Order No.	Description	Price
7-3955	12.8 volt 12 watt	\$4.42 G
7-3960	13.5 volt 10 watt	\$4.42 G
7-4010	12 volt 15 watt	\$3.85 G
7-4020	12 volt 10 watt	\$3.85 G

Single Contact Bayonet Base Bulb



• Price each. Standard pack 10.

Order No.	Mfg. No. / Description	Price
219560	(181915) 12.8 volt, 18 watt, 21 c.p.	\$1.28

Miniature Screw Bulb



• Price each. Standard pack 10.

Order No.	Mfg. No. / Description	Price
219508	(04187B) 4.9 volt, .30 amp	\$2.18

Wedge Base Bulbs



• Price each. Standard pack 10.

Order No.	Mfg. No. / Description	Price
219476	(182085) 14 volt, .19 amp	\$1.13
219483	(181135) 14 volt, .27 amp	\$1.28

Perko Fig. 342 Medium Prefocus Bulbs



• Clear.
• 120 volt bulbs for 1150 Series and other navigation lights.
• Standard pack 25.

Order No.	Mfg. No. / Description	Price
528250	(0342 001 CLR) 15 Watt	\$45.98 F
528262	(0342 002 CLR) 25 Watt	\$45.98 F
528274	(0342 003 CLR) 40 Watt	\$45.98 F
528286	(0342 004 CLR) 60 Watt	\$45.98 F
528298	(0342 RS4 CLR) 60 Watt, For Rough Service	\$61.98 F

- Fun & Flotation
- Anchor & Dock
- Safety
- Electronics
- Trolling Motors
- Lighting
- Electrical
- Topside Acc.
- Cockpit & Deck
- Instruments
- Steering, Controls
- Perform.
- Fuel System
- Engine & Parts
- Engine Care
- Propellers
- Seating & Pedestals
- Tops & Covers
- Pumps
- Cleaning & Care
- Paint & Paint Acc.
- Hardware, Fasteners
- Trailer
- Misc.
- Comm.

Aqua Signal Bulb for Series 20 Lights



Order No.	Mfg. No. / Description	Price
207387	(90496-7) 12 volt, 5 watt	\$14.98 Q

Aqua Signal Bulb for Series 25 Lights



- Special festoon.

Order No.	Mfg. No. / Description	Price
207375	(90200-7) 12 volt, 10 watt	\$14.98 Q

Aqua Signal Bulbs for Series 40 and 41 Lights



- Double contact bayonet base offset pins.

Order No.	Mfg. No. / Description	Price
207363	(90002-7) 12 volt, 25 watt	\$27.98 Q
207369	(90005-7) 12 volt, 10 watt	\$27.98 Q

Aqua Signal Bulb for Series 55 Lights



- Double contact bayonet base offset pins.

Order No.	Mfg. No. / Description	Price
207464	(10052/90286-) 120 volt, 35 watt	\$21.98 Q

Aqua Signal Bulbs for Series 70 Lights



- Double contact bayonet base.

Order No.	Mfg. No. / Description	Price
207514	(10043/90171-) 24 volt, 40 watt	\$40.98 Q
207515	(10123/90172-) 110 volt, 60 watt	\$45.98 Q

Anchor Products Miniature Bayonet Base Bulb



- Trade #1816.
- 12 volt, .33 amp, 4.30 watt, 3 c.p.

Order No.	Mfg. No. / Description	Price
521816	(521816)	\$3.79 LQ

Anchor Products Wedge Base Bulb



- Trade #194.
- 12 volt, .27 amp, 3.80 watt, 2 c.p.

Order No.	Mfg. No. / Description	Price
520194	(520194)	\$3.29 LQ

Boater Sports Light Bulb Assortment



- Assortment of (4) 12 volt bulbs.
- Includes:
 - 2.5 volt bulb for portable stern and bow light.
 - 90 bulb for auto, marine interior, bow/stern light.
 - 1157 bulb for auto park, tail light and signal lights.
 - 1004 bulb for All Round Lights.

Order No.	Mfg. No. / Description	Price
1-51064	(51064)	\$3.10 H

Boater Sports L.E.D. Replacement Bulbs



- Popular light bulb replacements in LED.

Order No.	Mfg. No. / Description	Price
1-51283	(51283) 1004 LED Bulb	\$16.97 H
1-51580	(51580) 906 LED Bulb	\$4.95 H
1-51582	(51582) 194 LED Bulb	\$3.75 H
1-51586	(51586) 90 LED Bulb	\$5.89 H
1-51588	(51588) 1157 LED Bulb	\$10.95 H
1-51590	(51590) 1141 LED Bulb	\$11.95 H

Anchor Products Miniature Halogen Lamp



- 12 volt, .83 amp, 10 watt, 11 c.p.

Order No.	Mfg. No. / Description	Price
529362	(529362)	\$7.98 LQ

Tungsten Halogen Bulbs

- Rectangular.
- 12 volt, 50 watt. 9,900 c.p.
- Spare bulbs for Jabsco Halogen Floodlight (45900 Series).

Order No.	Mfg. No. / Description	Price
413562	(45903-0002) Size: 3" x 5"	\$53.98 F
413550	(45903-0000) Size: 4" x 6"	\$84.98 F

Halogen Quartz Lamps - Double Ended

Order No.	Mfg. No. / Description	Price
413637	(1000779) 32 volt 300 watt	\$33.98 G
219813	(1018C) 130 volt 500 watt	\$5.98 I



- Fun & Flotation
- Anchor & Dock
- Safety
- Electronics
- Trolling Motors
- Lighting**
- Electrical
- Topside Acc.
- Cockpit & Deck
- Instruments
- Steering, Controls
- Perform.
- Fuel System
- Engine & Parts
- Engine Care
- Propellers
- Seating & Pedestals
- Tops & Covers
- Pumps
- Cleaning & Care
- Paint & Paint Acc.
- Hardware, Fasteners
- Trailering
- Misc.
- Comm.

Sealed Beams



220462

TYPE: PAR-36. DIAMETER 4-1/4". SOLD EACH

Order No.	Mfg. No. / Description	Price
220486	(4546) 4.7 volt 2 watt, .5 amp Lantern	\$27.98 I

TYPE: PAR-56. DIAMETER 7". SOLD EACH

Order No.	Mfg. No. / Description	Price
220462	(0433 003 12V) 12 volt 100 watt Spot	\$111.98 I
413043	(67262-0000) 12 volt 100 watt Spot/Flood	\$145.98 G

Fluorescent Bulbs



Order No.	Mfg. No. / Description	Price
378490	(54880) 12 volt 8 watt Length 1'	\$8.98 Q
569117	(00669B) 120 volt 20 watt Length 2'	\$8.98 L
569105	(05649I) 120 volt 34 watt Length 4'	\$8.98 B
569106	(04499C) 17 watt Length 2'	\$7.98 L
569107	(03564C) 32 watt Length 4'	\$7.98 L

Searchlight Projection Bulbs



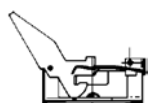
(1) Medium Screw 530458



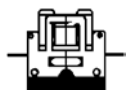
(2) Medium Prefocus 530469



(3) Mogul Screw 530471



(4) 2-Pin Prefocus 530495



(6) 2-Pin Prefocus 530483

DMI #	MFG. Bulb Code	Voltage	Wattage	Socket Type	Price
219825	BTM	120	500	Medium Prefocus Base (2)	\$62.98 I
219837	BTP	120	750	Medium Prefocus Base (2)	\$51.98 I
219849	BTR	120	1,000	Medium Prefocus Base (2)	\$51.98 I
219851	BVA	120	900	2-Pin Prefocus Base (6)	\$71.98 I
219887	CZX/DAB	120	500	Medium Prefocus Base (2)	\$104.98 I
219899	DCX	120	750	Medium Screw Base (1)	\$65.98 I
528806	DLT	32	500	Medium Screw Base (1)	\$146.98 F
219976	DPT	120	1,000	Mogul Screw Base (3)	\$88.98 I
220020	DYS	120	600	2-Pin Prefocus Base (4/6)	\$25.98 I
220070	FDT	12	100	2-Pin Prefocus Base (4/6)	\$23.98 I

Perko Fig. 303 Dual Medium Prefocus Socket Assembly

- Phenolic. 250 volts, 1,000 watts.
- Prewired with two medium prefocus sockets.
- For use in 1164 Series double lens lights.
- Overall height 3-7/8", overall width 3-7/8".



Order No.	Mfg. No. / Description	Price
529428	(0303)	\$268.98 F
529430	(0303 A00) Male Plug Only	\$20.98 F
529442	(0303 B00) Female Socket Only	\$16.98 F

Marpac Marine Light Bulb Display



- All bulbs packed 2 per display package.
- This display includes 5 bags of the following:
 - 7-3905 (53) Mini Bayonet Base
 - 7-3910 (57) Mini Bayonet Base
 - 7-3915 (67) Single Contact Bayonet Base
 - 7-3920 (68) Double Contact Bayonet Base
 - 7-3925 (70) Wedge Base
 - 7-3930 (71) Single Contact Bayonet Base
 - 7-3936 (90) Double Contact Bayonet Base
 - 7-3940 (93) Single Contact Bayonet Base
 - 7-3946 (94) Double Contact Bayonet Base
 - 7-3950 (194) Wedge Base
 - 7-3955 (211) Festoon
 - 7-3960 (212) Festoon
 - 7-3966 (1004) Double Contact Bayonet Base
 - 7-3970 (1034) Double Contact Bayonet Base
 - 7-3975 (1141) Single Contact Bayonet Base
 - 7-3986 (1156) Single Contact Bayonet Base
 - 7-3990 (1157) Double Contact Bayonet Base
 - 7-4000 (1895) Mini Bayonet Base
 - 7-4020 (71 DP CLR) Festoon

Order No.	Mfg. No. / Description	Price
7-3006	Marine Light Bulb Display	\$333.98 G

Perko Fig. 24 Double Contact Bayonet Socket



- Black polymer body. OD 3/4". Pigtail length 10".

Order No.	Mfg. No. / Description	Price
535976	(0024 DP1)	\$8.98 R

Perko Fig. 52 Double Contact Bayonet Socket



- Brass with 6" wire leads. Socket length 1".

Order No.	Mfg. No. / Description	Price
540131	(0052 DP)	\$15.98 R

Perko Fig. 276 Double Contact Bayonet Socket



- Brass with 6" wire leads. Tapped for 1/8" pipe. Overall length 2".

Order No.	Mfg. No. / Description	Price
529644	(0276 002)	\$14.98 F

Perko Fig. 347 Medium Prefocus Socket



- Phenolic. 250 volts, 1,000 watts.
- Includes: Metal mounting cap tapped for 3/8" IPS.
- Overall height 1-7/8", overall diameter 1-1/2".

Order No.	Mfg. No. / Description	Price
529404	(0347 A00)	\$70.98 F

- Fun & Flotation
- Anchor & Dock
- Safety
- Electronics
- Trolling Motors
- Lighting
- Electrical
- Topside Acc.
- Cockpit & Deck
- Instruments
- Steering, Controls
- Perform.
- Fuel System
- Engine & Parts
- Engine Care
- Propellers
- Seating & Pedestals
- Tops & Covers
- Pumps
- Cleaning & Care
- Paint & Paint Acc.
- Hardware, Fasteners
- Trailer
- Misc.
- Comm.