

SeaStar SSX-176 XTREME™ NFB Steering Kits



- Smoothest and lowest steering effort mechanical helm offered in the market place yet still offers easy installation.
- Complete steering system including new helm, high efficiency XTREME steering cable design and new style bezel.
- Quick connect feature on both steering cable and spent travel tube for easy quick installation.
- Installs in same mounting pattern and bracket location as current SeaStar Solutions steering systems.
- Smallest footprint possible to accommodate small/tight dash helm stations.
- Consist of:
 - (1) SHX7606 - Helm, Bezel & Hardware Kit
 - (1) SSCX-64 XTREME Quick-Connect Steering Cable

Order No.	Description	Price	Order No.	Description	Price
836210	11' System	\$339.98 MAP	836220	16' System	\$339.98 MAP
836212	12' System	\$339.98 MAP	836222	17' System	\$339.98 MAP
836214	13' System	\$339.98 MAP	836224	18' System	\$339.98 MAP
836216	14' System	\$339.98 MAP	836226	19' System	\$339.98 MAP
836218	15' System	\$339.98 MAP	836228	20' System	\$339.98 MAP

SeaStar SSX-177 XTREME™ Tilt NFB Steering Kits



- Smoothest and lowest steering effort mechanical helm offered in the market place yet still offers easy installation.
- Complete steering system including new helm, high efficiency XTREME steering cable design and new style bezel.
- Quick connect feature on both steering cable and spent travel tube for easy quick installation.
- Installs in same mounting pattern and bracket location as current SeaStar Solutions steering systems.
- Smallest footprint possible to accommodate small/tight dash helm stations.
- Consist of:
 - (1) SHX97606 - Tilt Helm, Bezel & Hardware Kit,
 - (1) 836678 (SH91800) Sport Tilt Mechanism
 - (1) SSCX-64 XTREME Quick-Connect Steering Cable

Order No.	Description	Price	Order No.	Description	Price
836230	11' System	\$444.98 MAP	836240	16' System	\$444.98 MAP
836232	12' System	\$444.98 MAP	836242	17' System	\$444.98 MAP
836234	13' System	\$444.98 MAP	836244	18' System	\$444.98 MAP
836236	14' System	\$444.98 MAP	836246	19' System	\$444.98 MAP
836238	15' System	\$444.98 MAP	836248	20' System	\$444.98 MAP

SeaStar SS-148 Dual No-Feedback Rotary Steering Systems



- Patented No-Feedback feature in a rugged 4.2 turns lock-to-lock system... has the highest mechanical advantage of any rotary cable system available, giving you welcomed added muscle at the wheel.
- Dual system recommended for speeds above 50 mph where removal of motion from system is desired to help control engine flutter.
- Fits boats up to 24', steering wheels up to 16".
- Consist of:
 - (1) 836671 (SH-4920P) Dual Helm
 - (1) 836811 (SB-27150P) Bezel - 90°
 - (2) SSC-62 Quick-Connect Steering Cables.

Order No.	Description	Price	Order No.	Description	Price
835720	12' Dual System	\$630.98 F	835756	15' Dual System	\$661.98 F
835732	13' Dual System	\$640.98 F	835768	16' Dual System	\$671.98 F
835744	14' Dual System	\$650.98 F			

SeaStar SS-147 No-Feedback Rotary Steering Systems



- Patented No-Feedback feature in a rugged 4.2 turns lock-to-lock system... has the highest mechanical advantage of any rotary cable system available, giving you welcomed added muscle at the wheel.
- Single cable systems are suitable for most single-station boats with a single non-power-assisted outboard and sterndrive engines up to V6 and minimal engine flutter or steering instability.
- Fits boats up to 24', steering wheels up to 16".
- Consist of:
 - (1) 836666 (SH-4910P) Single Helm
 - (1) 836811 (SB-27150P) Bezel - 90°
 - (1) SSC-62 Quick-Connect Steering Cable.

Order No.	Description	Price	Order No.	Description	Price
835504	10' System	\$272.98 F	835566	16' System	\$272.98 F
835528	12' System	\$272.98 F	835578	17' System	\$272.98 F
835530	13' System	\$272.98 F	835580	18' System	\$272.98 F
835542	14' System	\$272.98 F	835592	20' System	\$272.98 F
835554	15' System	\$272.98 F			

SeaStar No-Feedback Rotary Steering Packages



- Package includes: SS-147 Steering System and 7-0250 - Destroyer Type Stainless Steel Steering Wheel.
- Marpac Steering Wheel ships separate from SeaStar Solutions Box (Not part of SeaStar Solutions Steering System).

Order No.	Description	Price	Order No.	Description	Price
835605	14' System	\$308.98 F	835607	18' System	\$308.98 F
835606	16' System	\$308.98 F	835608	20' System	\$308.98 F

- Fun & Flotation
- Anchor & Dock
- Safety
- Electronics
- Trolling Motors
- Lighting
- Electrical
- Topside Acc.
- Cockpit & Deck
- Instruments
- Steering, Controls
- Perform.
- Fuel System
- Engine & Parts
- Engine Care
- Propellers
- Seating & Pedestals
- Tops & Covers
- Pumps
- Cleaning & Care
- Paint & Paint Acc.
- Hardware, Fasteners
- Trailering
- Misc.
- Comm.

SeaStar SS-157 No-Feedback Tilt Rotary Steering Systems



- Suitable for most single-station boats with a single non-power- assisted outboard sterndrive engines up to V6 and minimal engine flutter or steering instability.
- Accepts steering wheels up to 16"
- Standard 3/4" tapered steering shaft.
- 48° of total adjustment in five 12° positions.
- Stainless steel cable output ends.
- Consist of:
(1) SH-91526P - Tilt Helm
(1) **836678** (SH91800) Sport Tilt Mechanism
(1) SSC-62 Quick-Connect Steering Cable.

Order No.	Description	Price	Order No.	Description	Price
836200	11' System	\$370.98 F	836205	16' System	\$386.98 F
836201	12' System	\$376.98 F	836206	17' System	\$388.98 F
836202	13' System	\$379.98 F	836207	18' System	\$391.98 F
836203	14' System	\$381.98 F	836208	19' System	\$395.98 F
836204	15' System	\$384.98 F	836209	20' System	\$398.98 F

SeaStar SS-132 No-Feedback Safe-T II Steering Systems



- Compact, but rugged patented No-Feedback version of the most popular marine steering system in history.
- Direct replacement for all Safe-T Systems.
- Available in single cable version.
- Quick response of 3 turns lock-to-lock.
- Standard 3/4" round tapered steering shaft.
- Exceeds NMMA Certification Requirements and ABYC Standards.
- Perfect for boat speeds up to 50 mph where quick response is desired.
- Accepts steering wheels up to 16"
- Consist of:
(1) **836621** (SH-5150P) Single Helm
(1) **836811** (SB-27150P) Bezel - 90°
(1) SSC-62 Quick-Connect Steering Cable.

Order No.	Description	Price	Order No.	Description	Price
835101	10' System	\$253.98 G	835153	15' System	\$265.98 G
835113	11' System	\$255.98 G	835163	16' System	\$270.98 G
835126	12' System	\$259.98 G	835175	17' System	\$272.98 G
835138	13' System	\$261.98 G	835187	18' System	\$275.98 G
835147	14' System	\$264.98 G	835202	20' System	\$280.98 G

Marpacages No-Feedback Safe-T II Steering Packages



- Package includes: SS-132 Steering System and **7-0250** - Destroyer Type Stainless Steel Steering Wheel.
- Marpac Steering Wheel ships separate from SeaStar Solutions Box (Not part of SeaStar Solutions Steering System).

Order No.	Description	Price	Order No.	Description	Price
835205	10' System	\$315.98 G	835210	15' System	\$328.98 G
835206	11' System	\$317.98 G	835211	16' System	\$331.98 G
835207	12' System	\$320.98 G	835212	17' System	\$334.98 G
835208	13' System	\$323.98 G	835213	18' System	\$336.98 G
835209	14' System	\$325.98 G	835214	20' System	\$342.98 G

SeaStar SS-137 Safe-T Quick-Connect Steering Systems



- Compact, lightweight, rugged rotary helm.
- Patented, No-tools-required cable connection.
- 3 turns lock-to-lock.
- Standard 3/4" tapered shaft.
- Stainless steel telescopic ram.
- Fits boats up to 24', steering wheels up to 16"
- Exceeds NMMA Certification Requirements and ABYC Standards.
- Consist of:
(1) **836555** (SH-5094-1 P) Single Helm
(1) **836859** (SB-27484) Bezel - 90°
(1) SSC-62 - Quick-Connect Steering Cable

Order No.	Description	Price	Order No.	Description	Price
834855	8' System	\$191.98 MAP	834920	15' System	\$191.98 MAP
834867	9' System	\$191.98 MAP	834932	16' System	\$191.98 MAP
834879	10' System	\$191.98 MAP	834944	17' System	\$191.98 MAP
834881	11' System	\$191.98 MAP	834956	18' System	\$191.98 MAP
834893	12' System	\$191.98 MAP	834968	19' System	\$191.98 MAP
834906	13' System	\$191.98 MAP	834970	20' System	\$191.98 MAP
834918	14' System	\$191.98 MAP			

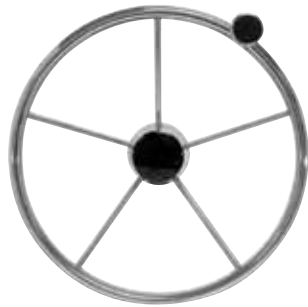
Marpacages Quick-Connect Steering Packages



- Package includes: SS-137 Steering System and Marpac **7-0253** - Plastic Steering Wheel.
- Marpac Steering Wheel ships separate from SeaStar Solutions Box (Not part of SeaStar Solutions Steering System).

Order No.	Description	Price	Order No.	Description	Price
834985	8' System	\$205.98 Q	834991	14' System	\$205.98 Q
834986	9' System	\$205.98 Q	834992	15' System	\$205.98 Q
834987	10' System	\$205.98 Q	834993	16' System	\$205.98 Q
834988	11' System	\$205.98 Q	834994	17' System	\$205.98 Q
834989	12' System	\$205.98 Q	834995	18' System	\$205.98 Q
834990	13' System	\$205.98 Q	834996	20' System	\$205.98 Q

Marpac Steer-It Systems - Rotary Steering



- Simple installation with OEM components.
- 3 complete turns lock-to-lock.
- Industry standard helm with 3/4" tapered steering fits most steering wheels.
- Steering cable snaps into helm for quick and easy installation.
- Cable output ends are stainless steel to protect from corrosion.
- Designed for boats up to 24' with steering wheels up to 16" diameter.
- Helm will replace all SeaStar Safe-T Helms (1968 or newer) with little or no modifications to the dash.
- Meets A.B.Y.C. standards and N.M.M.A. certification requirements.
- Kit includes: Compact rotary helm, 90° stainless steel bezel with industry standard mounting hardware and quick connecting cable.

BASIC STEERING KITS

- Prepackaged with Marpac Stainless Steel Bezel.

Order No.	Description	Price	Order No.	Description	Price
7-7710	10' System	\$180.98 LQ	7-7717	17' System	\$180.98 LQ
7-7712	12' System	\$180.98 LQ	7-7719	19' System	\$180.98 LQ
7-7714	14' System	\$180.98 LQ	7-7720	20' System	\$180.98 LQ

INCLUDES: 13-1/2" STEERING WHEEL

- S/S Destroyer Type with control knob.
- Ships separately from Basic Steering Kit.

Order No.	Description	Price	Order No.	Description	Price
7-7740	10' System	\$262.98 H	7-7747	17' System	\$262.98 H
7-7742	12' System	\$262.98 H	7-7749	19' System	\$262.98 H
7-7744	14' System	\$262.98 H	7-7750	20' System	\$262.98 H

INCLUDES: 15-1/2" STEERING WHEEL

- S/S Destroyer Type with control knob.
- Ships separately from Basic Steering Kit.

Order No.	Description	Price	Order No.	Description	Price
7-7770	10' System	\$264.98 H	7-7777	17' System	\$264.98 H
7-7772	12' System	\$264.98 H	7-7779	19' System	\$264.98 H
7-7774	14' System	\$264.98 H	7-7780	20' System	\$264.98 H

SeaStar SS-151 NFB Pro Rack Single Steering Systems



- Patented No-Feedback technology in our new back mount rack and pinion system.
- 4 turns lock-to-lock NFB feature means wheel loads are locked out until you turn the wheel.
- Direct replacement for most older rack systems (no drilling).
- Accepts steering wheels up to 16".
- Consist of:
 - (1) 836592 (SH-5230P) Single/Dual Helm
 - (1) 8020564 (SB39544P) Bezel - 90°
 - (1) SSC-134 Rack Single Steering Cable.

Order No.	Description	Price	Order No.	Description	Price
835910	11' System	\$296.98 F	835960	16' System	\$299.98 F
835922	12' System	\$298.98 F	835972	17' System	\$316.98 F
835934	13' System	\$297.98 F	835984	18' System	\$322.98 F
835946	14' System	\$298.98 F	836001	20' System	\$327.98 F
835958	15' System	\$299.98 F			

SeaStar SS-152 NFB Pro Rack Dual Steering Systems



- Patented No-Feedback feature in a dual rack and pinion allows removal of most engine flutter from lost motion.
- Recommended for most high performance outboards with 115 HP or larger outboards capable of top speeds in excess of 50 mph.
- Consist of:
 - (1) 836592 (SH-5230P) Single/Dual Helm
 - (1) 8020564 (SB39544P) Bezel - 90°
 - (1) SSC-135 - Rack Dual Steering Cable

Order No.	Description	Price	Order No.	Description	Price
836127	12' System	\$611.98 F	836153	15' System	\$656.98 F
836139	13' System	\$616.98 F	836165	16' System	\$666.98 F
836141	14' System	\$621.98 F			

SeaStar SS-141 Back Mount Rack Steering Systems



- Direct replacement for most older rack systems (no drilling).
- Precision rack and pinion steering.
- Pre-assembled rack and cable.
- 4 turns lock-to-lock.
- Standard 3/4" tapered shaft.
- Stainless steel telescopic ram.
- Exceeds NMMA Certification Requirements and ABYC Standards.
- Fits boats up to 24', steering wheels up to 16".
- Consist of:
 - (1) 836520 (SH-5210P) Single Helm
 - (1) 836809 (SB-39526P) Bezel, 90°
 - (1) SSC-134 Back Mount Rack Single Cable

Order No.	Description	Price	Order No.	Description	Price
834689	8' System	\$196.98 Q	834742	14' System	\$196.98 Q
834691	9' System	\$196.98 Q	834754	15' System	\$196.98 Q
834704	10' System	\$196.98 Q	834766	16' System	\$196.98 Q
834716	11' System	\$196.98 Q	834778	17' System	\$196.98 Q
834728	12' System	\$196.98 Q	834780	18' System	\$196.98 Q
834730	13' System	\$196.98 Q			

- Fun & Flotation
- Anchor & Dock
- Safety
- Electronics
- Trolling Motors
- Lighting
- Electrical
- Topside Acc.
- Cockpit & Deck
- Instruments
- Steering, Controls
- Perform.
- Fuel System
- Engine & Parts
- Engine Care
- Propellers
- Seating & Pedestals
- Tops & Covers
- Pumps
- Cleaning & Care
- Paint & Paint Acc.
- Hardware, Fasteners
- Trailering
- Misc.
- Comm.

SeaStar SSC-62 QC II Steering Cable



- Now one cable fits most SeaStar Solutions rotary systems from 1968 to present.
- Reduces inventory requirements and the need to stock complete kits for steering service.

Order No.	Description	Price	Order No.	Description	Price
838089	8' Cable	\$128.98 G	838182	18' Cable	\$128.98 G
838093	9' Cable	\$128.98 G	838194	19' Cable	\$128.98 G
838106	10' Cable	\$128.98 G	838207	20' Cable	\$128.98 G
838118	11' Cable	\$128.98 G	838221	22' Cable	\$200.98 G
838120	12' Cable	\$128.98 G	838245	24' Cable	\$214.98 G
838132	13' Cable	\$128.98 G	838269	26' Cable	\$227.98 G
838144	14' Cable	\$128.98 G	838283	28' Cable	\$241.98 G
838156	15' Cable	\$128.98 G	838307	30' Cable	\$254.98 G
838168	16' Cable	\$128.98 G	838347	34' Cable	\$308.98 G
838170	17' Cable	\$128.98 G	838409	40' Cable	\$389.98 G

SeaStar QC II Helm Converter



- Upgrades older SeaStar Solutions rotary helms to Quick-Connect cable interface.
- For helms with threaded spigots.

Order No.	Mfg. No. / Description	Price
838032	(SA27620P)	\$18.98 G

SeaStar SSC-219 JBS Jet Boat Steering Cable



- Recommended for use in all jet boat applications powered by Mercury Sport Jet or OMC Turbo Jet drives up to 175 HP.
- Stainless steel cable output end.

Order No.	Description	Price	Order No.	Description	Price
837560	10' Cable	\$145.98 Q	837584	12' Cable	\$152.98 Q
837572	11' Cable	\$149.98 Q	837596	13' Cable	\$157.98 Q

SeaStar SSC-124 Replacement Steering Cable



- For Old Style "The Rack" Rack and Pinion Steering System.

Order No.	Description	Price	Order No.	Description	Price
837457	9' Cable	\$182.98 F	837510	15' Cable	\$182.98 F
837469	10' Cable	\$159.98 F	837522	16' Cable	\$187.98 F
837471	11' Cable	\$165.98 F	837534	17' Cable	\$191.98 F
837483	12' Cable	\$169.98 F	837546	18' Cable	\$195.98 F
837495	13' Cable	\$173.98 F	8020583	20' Cable	\$195.98 D
837501	14' Cable	\$178.98 F			

SeaStar SSC-134 Back Mount Rack Steering Repl. Cable



- SSC-134 single cable replacement.

Order No.	Description	Price	Order No.	Description	Price
838411	10' Cable	\$168.98 F	838473	16' Cable	\$148.98 F
838423	11' Cable	\$171.98 F	838485	17' Cable	\$151.98 F
838435	12' Cable	\$139.98 F	838497	18' Cable	\$154.98 F
838447	13' Cable	\$141.98 F	838498	19' Cable	\$157.98 F
838459	14' Cable	\$144.98 F	838500	20' Cable	\$160.98 F
838461	15' Cable	\$146.98 F	838505	21' Cable	\$203.98 F

SeaStar SSC-135 Rack Dual Replacement Cable



Order No.	Description	Price	Order No.	Description	Price
838562	12' Cable	\$452.98 F	838598	15' Cable	\$467.98 F
838574	13' Cable	\$458.98 F	838602	16' Cable	\$472.98 F
838586	14' Cable	\$462.98 F			

SeaStar SSC-130 Replacement Steering Cable



- Replacement cable for the Morse 300619 cable used on the Command 200 Rack and Pinion System.

Order No.	Description	Price	Order No.	Description	Price
8020584	11' Cable	\$163.98 F	8020588	15' Cable	\$181.98 F
8020585	12' Cable	\$168.98 F	8020589	16' Cable	\$185.98 F
8020586	13' Cable	\$172.98 F			

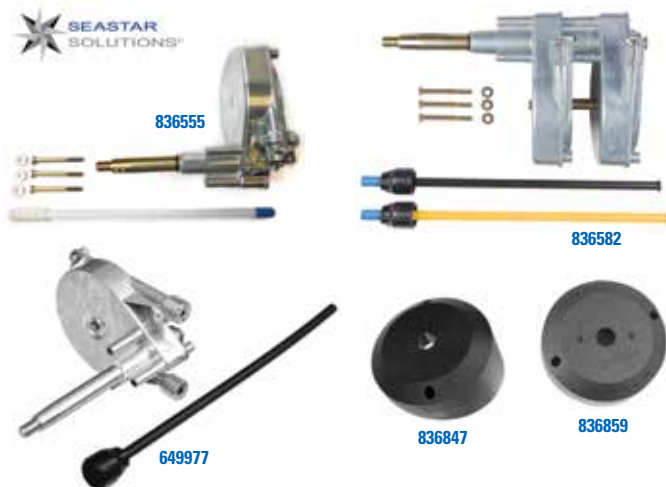
SeaStar Tilt Steering



- Pre-loaded dual taper bearings ensures minimal free play at the wheel.
- Shaft seals to prevent water ingress.
- 48° of tilt articulation.
- 5 positive lock positions.
- Fits most styled and formed dashes.
- Flexible rubber bellows.
- When ordering mechanical Tilt Steering, note that a special Tilt version of the helm must be ordered. Also, a Tilt Mechanism must be ordered.

Order No.	Mfg. No. / Description	Price
836678	(SH91800P) Sport Tilt Mechanism	\$156.98 F
8020572	(SH91523-1P) Safe T Quick-Connect Tilt Single Helm	\$125.98 F

SeaStar Safe-T Rotary Steering Helms



- Precision die-cast gears driving helical-wound cable provides control with minimum lost motion.
- Compact rotary helm unit with 3/4" tapered shaft occupies minimum space behind dashboard.
- 3 turns lock-to-lock for standard travel. Stainless steel cable output ends.
- For boats up to 24' in length using single engines and steering wheels up to 16" diameter.
- Twin cable system recommended for boats that exceed 50 mph or experience steering instability from engine flutter.

Order No.	Mfg. No. / Description	Price
649977	(SH-5023P) Single Helm Safe-T "TS"	\$168.98 F
836555	(SH-5094-1P) Single Helm Safe-T Quick-Connect	\$81.98 F
836582	(SH-4952P) Dual Helm Safe-T Quick-Connect	\$280.98 F
836859	(SB-27484P) Safe-T Quick-Connect Bezel, 90°	\$21.98 F
836847	(SB-27483P) Safe-T Quick-Connect Bezel, 20°	\$32.98 F

SeaStar No-Feedback Rack Steering Helm



- 4 turns lock-to-lock.
- Standard 3/4" tapered steering shaft.

Order No.	Mfg. No. / Description	Price
836592	(SH-5230P) Single/Dual Helm	\$160.98 F

SeaStar Back Mount Rack Steering Helm



- 4 turns lock-to-lock.
- Standard 3/4" tapered steering shaft.

Order No.	Mfg. No. / Description	Price
836520	(SH5210P) Single Helm	\$74.98 F
836809	(SB39526P) Bezel, 90°	\$22.98 F

How to Measure Steering Cables "Measure Twice. Order Once." Courtesy of SeaStar Solutions



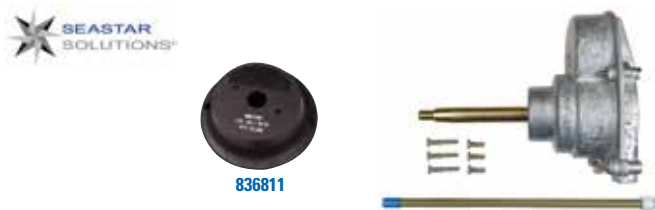
SeaStar No-Feedback Safe-T II Steering Helm



- Safe-T II is the next generation of the most popular helm in history.
- The patented NFB design prevents unwanted torque at the wheel in a compact 3 turn lock-to-lock response for boat speeds under 50 mph.
- Bolts to existing SeaStar Safe-T dash cutout.

Order No.	Mfg. No. / Description	Price
836621	(SH-5150P) Single Helm	\$147.98 F
836811	(SB-27150P) Bezel, 90°	\$26.98 F

SeaStar No-Feedback 4.2 Steering Helms



- The 4.2 turn lock-to-lock NFB helm features a rugged design with the highest mechanical advantage of any helm giving you welcomed added muscle in a single version.

Order No.	Mfg. No. / Description	Price
836666	(SH-4910P) Single Helm	\$155.98 F
836671	(SH4920P) Dual Helm	\$290.98 F
836811	(SB-27150P) Bezel, 90°	\$26.98 F

SeaStar Big-T Rotary Steering Helm



- The heavy duty helm incorporates a strong steel pinion, dual diecast gears and meaty shaft bearing supports, all encased in a rugged gear housing.
- The helical-wound cable provides greater flexibility for applications such as single or dual station push-pull.
- Responsive 3 turns from lock-to-lock.
- For boats up to 34' in length using single or twin engines up to 235 HP and steering wheels up to 20" diameter.

Order No.	Mfg. No. / Description	Price
649965	(SH-5000P) Big-T Single Helm	\$311.98 F
649662	(SB-27265P) 2-Piece Bezel for 90°/20° Mount, Black	\$156.98 F

Replacement of Existing Cable: If possible, find the part number stamped on the plastic jacket of the old cable. If you removed the old cable, measure for the replacement cable as follows:

For Rotary Steering Cable Replacement: Measure existing cable as follows: Measure plastic cable jacket ("Y" dimension, shown in above drawing) in inches, add 18" and round up to the next foot. Order that length cable.

For Rack Steering Cable Replacement: Measure existing cable as follows: Measure plastic cable jacket ("Y" dimension shown in above drawing) in inches, add 30" and round up to the next foot. Order that length cable.



Uflex Rotech™ Steering Systems



- Featuring the T71FC helm with a Planetary Gear Design, the Rotech reduces steering effort and delivers more balanced loads on the steering wheel.
- This unique design also offers a wider wear area which reduces lost motion and improves durability.
- Centered on the main drive shaft, this helm requires less room behind the dash and is a direct "drop in" replacement for competing system; requiring no new holes for installation.
- The Rotech package also includes the M66 Universal Rotary Steering Cable with stainless steel output fittings for maximum longevity and smooth steering.

Order No.	Description	Price	Order No.	Description	Price
8040000	8' System	\$152.98 E	8040030	14' System	\$152.98 E
8040005	9' System	\$152.98 E	8040035	15' System	\$152.98 E
8040010	10' System	\$152.98 E	8040040	16' System	\$152.98 E
8040015	11' System	\$152.98 E	8040045	17' System	\$152.98 E
8040020	12' System	\$152.98 E	8040050	18' System	\$152.98 E
8040025	13' System	\$152.98 E	8040055	20' System	\$152.98 E

Uflex M66 Universal Rotary Steering Cables



- Directly replaces Uflex, SSC6200 and 290 steering cables with no adapters.
- Features solid stainless steel engine output fittings for enhanced longevity and durability.

Order No.	Description	Price	Order No.	Description	Price
2006910	8' Cable	\$148.98 R	2006950	16' Cable	\$148.98 R
2006915	9' Cable	\$148.98 R	2006955	17' Cable	\$148.98 R
2006920	10' Cable	\$148.98 R	2006960	18' Cable	\$148.98 R
2006925	11' Cable	\$148.98 R	2006965	20' Cable	\$148.98 R
2006930	12' Cable	\$148.98 R	2006970	22' Cable	\$205.98 F
2006935	13' Cable	\$148.98 R	2006975	24' Cable	\$215.98 F
2006940	14' Cable	\$148.98 R	2006980	26' Cable	\$226.98 F
2006945	15' Cable	\$148.98 R			

Uflex Rotary Helm



- Standard 3/4" tapered shaft.
- Lock-to-lock steering wheel turns: Approx. 3.8.
- Stroke: 9" (228 mm).
- Maximum allowable steering wheel diameter: 16".
- Minimum steering cable bend radius: 7.9".
- Minimal feedback.
- Not to be used on boats equipped with engines that exceed the maximum horsepower rating of the boat.
- T71FC steering system is also available in package with ROTECH, which includes the X35 bezel and M66 cable.
- No hardware, use X34 or X35.

Order No.	Mfg. No. / Description	Price
8040140	(T71FC) Single Helm Only	\$68.98 E

Uflex Tilt Mechanism



- Tilt range of 48° and five locking positions.
- NOTE: X52 tilt mechanism fits standard Ultraflex tilt mount rotary and rack and pinion steering helms as well as standard Ultraflex tilt mount hydraulic pumps except SilverSteer and MasterDrive steering systems.

Order No.	Mfg. No. / Description	Price
8040185	(X52)	\$139.98 E

Uflex Racktech™ Steering Systems



- The Racktech Rack and Pinion steering package offers a compact installation and features the M86 cable with an armor wrapped stainless steel core for maximum efficiency and minimal lost motion.
- Ideal for boats with minimal clearance behind the dash, the Racktech is recommended for power assisted sterndrives and other applications with minimal rudder torque.

Order No.	Description	Price	Order No.	Description	Price
8040060	10' System	\$155.98 E	8040085	15' System	\$155.98 E
8040065	11' System	\$155.98 E	8040090	16' System	\$155.98 E
8040070	12' System	\$155.98 E	8040095	17' System	\$155.98 E
8040075	13' System	\$155.98 E	8040100	18' System	\$155.98 E
8040080	14' System	\$155.98 E	8040105	20' System	\$155.98 E

Uflex M86 Steering Cables



- For older Morse Rack & Pinion.
- Will work with SSC124 and 300619 Rack.

Order No.	Description	Price	Order No.	Description	Price
2006515	9' Cable	\$166.98 G	2006540	14' Cable	\$166.98 H
2006520	10' Cable	\$166.98 G	2006545	15' Cable	\$166.98 H
2006525	11' Cable	\$166.98 H	2006550	16' Cable	\$166.98 H
2006530	12' Cable	\$166.98 H	2006555	17' Cable	\$167.98 H
2006535	13' Cable	\$166.98 H			

Uflex Rotary Tilt Helm



- Easy and safe steering: a patented nonreversible mechanism eliminates the continuous load on the operator caused by the propeller torque.
- Fast connect, simple installation.
- Compact rotary helm unit: the central location of the steering shaft makes these systems the most compact in their class.
- Most suitable where clearance is limited.
- Ideal for outboards and surfacing propellers.
- Optional 90° or 20° installation.
- Standard 3/4" tapered shaft.
- All stainless steel cable output ends.
- Made exclusively in corrosion resistant materials.
- Lock-to-lock steering wheel turns: Approx 3.8.
- Use with M66 Cable. No hardware, use X34 or X35.

Order No.	Mfg. No. / Description	Price
8040155	(T81FC) Single Helm Only (Use with Tilt Assembly X52)	\$110.98 E

Uflex Bezel Kits



8040180



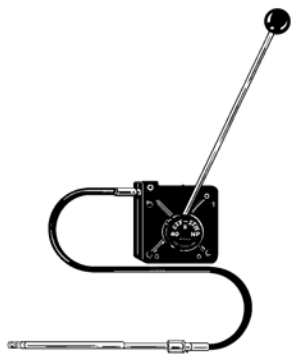
8040175

- Fits all cable helms.

Order No.	Mfg. No. / Description	Price
8040175	(X34W) White 90° Mounting	\$21.98 E
8040180	(X35) Black 20° Mounting	\$21.98 E

- Fun & Flotation
- Anchor & Dock
- Safety
- Electronics
- Trolling Motors
- Lighting
- Electrical
- Topside Acc.
- Cockpit & Deck
- Instruments
- Steering, Controls
- Perform.
- Fuel System
- Engine & Parts
- Engine Care
- Propellers
- Seating & Pedestals
- Tops & Covers
- Pumps
- Cleaning & Care
- Paint & Paint Acc.
- Hardware, Fasteners
- Trailer
- Misc.
- Comm.

Ezy-Glide "Stik II" Stick Steering - Model 840



- A mechanical steering system designed so the operator may be positioned in the front for better visibility and convenience.
- A one piece stainless steel drive spool along with a durable high impact housing provide a superior single lever steering platform for today's fisherman.
- The slower ratio provides the added mechanical advantage needed for higher horsepower as well as 4 stroke engines.
- This system is rated for outboard engines not to exceed 70 H.P.
- Jet Drives not to exceed 90 H.P.
- Total handle travel: 58"/206°.
- Ratio: 6.4/1.

Order No.	Description	Price	Order No.	Description	Price
336203	Length 8'	\$387.98 Q	336241	Length 12'	\$387.98 Q
336215	Length 9'	\$387.98 Q	336253	Length 13'	\$387.98 Q
336227	Length 10'	\$387.98 Q	336265	Length 14'	\$387.98 Q
336239	Length 11'	\$387.98 Q	336277	Length 15'	\$387.98 Q

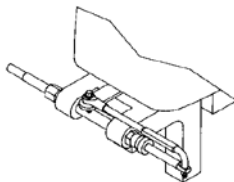
Buck-Algonquin Threaded Ball



- Stainless steel.
- 1/2" x 2" threaded ball with two lock nuts.

Order No.	Mfg. No. / Description	Price
261405	(70THDBALL)	\$46.98 Q

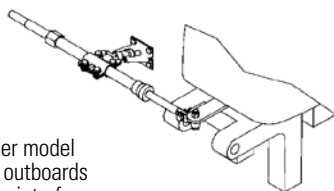
SeaStar Steering Connection Kit - Tilt Tube Mounting - Hinge Pin



- This is the most popular steering cable-to-engine connection method for outboards with an ABYC standard tilt tube.
- Link arm kits for outboards.
- Johnson/Evinrude 70 HP and up.
- All Mercury and Mariner, except 70 HP and V6.

Order No.	Mfg. No. / Description	Price
649523	(SA-27361P)	\$109.98 F

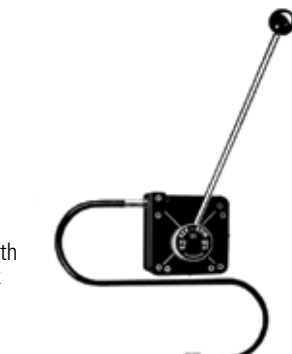
SeaStar Steering Connection Kit - Transom Support Mounting



- This cable connection is used for older model outboards without tilt tubes, low HP outboards or applications where transom design interferes with standard tilt tube mounting.
- Universal for all inboard and most outboard motor installations.
- Corrosion resistant.

Order No.	Mfg. No. / Description	Price
649434	(SA-27256P)	\$173.98 F

Ezy-Glide "Stik III" Stick Steering - Model 870



- The Ezy-Stik III has incorporated many of the outstanding and time proven features of the Model 840. Such as a one piece stainless steel drive spool and reinforced composite housing.
- The Model 870 has been developed due to the increased demand for a system with quicker response and shorter lock-to-lock travel distance.
- Model 870 also has higher horsepower ratings.
- Not to exceed 70 HP maximum.

Order No.	Description	Price	Order No.	Description	Price
336281	Length 12'	\$418.98 Q	336285	Length 14'	\$418.98 Q
336284	Length 13'	\$418.98 Q	3362029	Length 15'	\$486.98 H

Ezy-Glide Replacement Cables for "Stik II" and "Stik III"

Order No.	Mfg. No. / Description	Price
336660	(RC-1000) Length 10', Reach 112"	\$193.98 G
336300	(RC-1100) Length 11', Reach 124"	\$193.98 G
336301	(RC-1200) Length 12', Reach 136"	\$193.98 G
336302	(RC-1300) Length 13', Reach 148"	\$193.98 G
336661	(RC-1400) Length 14', Reach 160"	\$193.98 G
336662	(RC-1500) Length 15'	\$193.98 G

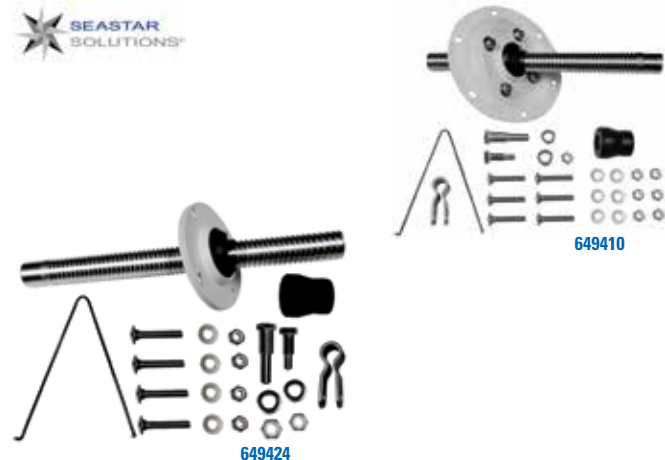
Buck-Algonquin Swivel Socket



- Manganese bronze.
- Accommodates ball type steerers.
- Tapped for 3/4" pipe size.

Order No.	Mfg. No. / Description	Price
261393	(00SWS75)	\$134.98 Q

SeaStar Steering Connection Kits - Splashwell Mounting



- This cable connection is used on boats where standard tilt tube or transom support mounting methods are precluded by a splashwell box or lack of engine tilt tube.
- The mounting surface is usually near perpendicular to the transom and between 12 and 16 inches from the center line of the boat and/or tiller (25-33" total splash well width).
- Universal for most outboard motor installations.

Order No.	Mfg. No. / Description	Price
649424	(SA-27254P) 90°	\$119.98 F
649410	(SA-27253P) 15°	\$179.98 F

- Fun & Flotation
- Anchor & Dock
- Safety
- Electronics
- Trolling Motors
- Lighting
- Electrical
- Topside Acc.
- Cockpit & Deck
- Instruments
- Steering, Controls
- Perform.
- Fuel System
- Engine & Parts
- Engine Care
- Propellers
- Seating & Pedestals
- Tops & Covers
- Pumps
- Cleaning & Care
- Paint & Paint Acc.
- Hardware, Fasteners
- Trailering
- Misc.
- Comm.

SeaStar Clamp Block Assembly - Ski Boat Inboard



- Heavy duty with black metal flake finish.
- 2-1/4" stand-off.

Order No.	Mfg. No. / Description	Price
649478	(SA-27578P)	\$106.98 F

SeaStar Clamp Block Assemblies - Outboard



- A replacement part for the ball post and clamp block assembly in steering connection kits - SA27255, SA27256 and SA27332.

Order No.	Mfg. No. / Description	Price
649371	(SA-27055P) Corrosion Resistant	\$116.98 Q
649383	(SA-27149P) Stainless Steel	\$167.98 Q

SeaStar Rod End Kit



- Steel.
- 1/2"-20 thread.

Order No.	Mfg. No. / Description	Price
649460	(SA-27276P)	\$72.98 F

SeaStar Clevis Kit



- Stainless steel.
- With short bolt.

Order No.	Mfg. No. / Description	Price
649509	(SA-27314P)	\$49.98 F

SeaStar Plastic Spent Travel Tube



- For Safe-T QC, Safe-T "TS" and Big-T Helms.

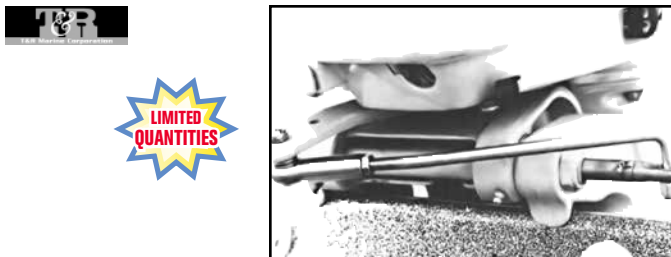
Order No.	Mfg. No. / Description	Price
649547	(SA-35680P)	\$11.98 Q

SeaStar Support Tubes



Order No.	Mfg. No. / Description	Price
649447	(SA-27274P) Aluminum	\$26.98 F
649458	(SA-27275P) Stainless Steel	\$90.98 F

T & R Marine Super 7/16" Diameter Steering Link Arm

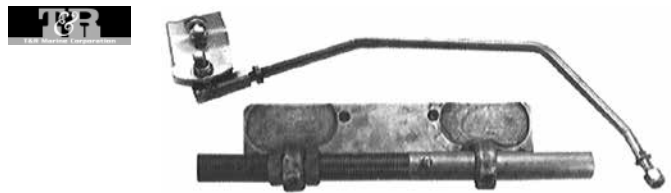


LIMITED QUANTITIES

- Stainless steel construction.
- Complete with adjustable ball joint and nylon lock nuts to insure vibration proof locking.
- Exceeds BIA specifications.
- Diameter 7/16".
- Johnson/Evinrude and Mercury up to 100 HP, 1972 and newer.

Order No.	Mfg. No. / Description	Price
633304	(SLA-9000)	\$120.98 LQ

T & R Marine Steering Link Arm, Clamp Mount - Freshwater Kit



- Constructed of aluminum and plated steel.
- This kit fits under engine clamps and is designed to prevent motor from jumping off the transom.
- Also prevents damage to the transom by the clamps.
- All parts furnished for simple hook up.
- Mariner: 9.9, 15 HP - 1982 and newer. Suzuki: 9.9, 15, 16, 25 HP - 1982 and newer. Johnson/Evinrude: 9.9, 15, 25, 30, 35, 40 HP - 1977 and newer. Yamaha: 9.9, 15 HP - 1984 and newer.

Order No.	Mfg. No. / Description	Price
633607	(FWK-3475)	\$154.98 R

T & R Marine Dual Steering Connection Kit



- Dual cable kit for cables installed down same side of boat (port or starboard).
- Steering tube is provided with grease fitting and O-ring.
- All parts provided for simple hook up.
- Stainless steel and aluminum makes these kits corrosion resistant.
- Note: Steering link arm not included in these kits.
- Mercury 1980 and newer Black Max; Mariner 1980 and newer; Fits all Mercury/ Mariner 2.4; Suzuki 150-150SS-200 HP. 1986 and newer; Suzuki 115-140 HP. 1987 and newer.

Order No.	Mfg. No. / Description	Price
634053	(OSM-3798)	\$143.98 R

T & R Marine Steering Tube Cleaning Brush



- Cleans corroded engine tilt tubes.
- Constructed of steel wire with 8" shaft.
- For use with electric drill motor.

Order No.	Mfg. No. / Description	Price
642580	(TB-10)	\$24.98 R

- Fun & Flotation
- Anchor & Dock
- Safety
- Electronics
- Trolling Motors
- Lighting
- Electrical
- Topside Acc.
- Cockpit & Deck
- Instruments
- Steering, Controls
- Perform.
- Fuel System
- Engine & Parts
- Engine Care
- Propellers
- Seating & Pedestals
- Tops & Covers
- Pumps
- Cleaning & Care
- Paint & Paint Acc.
- Hardware, Fasteners
- Trailer
- Misc.
- Comm.

Rough Water Center Consoles



723194



723196

- Made with an average fiberglass thickness of 1/4" - 3/8".
- Dash is reinforced with 5/8" marine grade plywood.
- Large rounded corners.
- Measurements include flange.

Order No.	Mfg. No. / Description	For Boats:	Price
723190	(RWCC01) 25" H x 21" W x 16" D	13' - 16'	\$321.98 D
723192	(RWCC02) 31" H x 23" W x 22" D	15' - 18'	\$365.98 D
723194	(RWCC03) 37" H x 31" W x 31" D	18' - 24'	\$563.98 D
723196	(RWCC04) 53" H x 38" W x 38" D	23' - 28'	\$728.98 D

Marpac Motorwell Boots



7-0674 & 7-0675



7-0677

- Protects fuel lines, wires and cables.
- Gas and oil resistant.
- Adjustable fit.

Order No.	Description	Price
7-0677	For 3" Hole	\$5.98 G
7-0674	For 3-1/2" Hole	\$3.10 G
7-0675	For 4-1/2" Hole	\$3.95 G

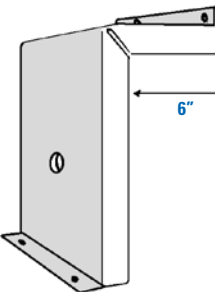
MPI Products Cable Cover Transom Mounting Flange



- Ideal for securing outboard hose and cable conduit to transom.
- Threaded molded plastic grips conduit securely.
- ID 2".
- Black.

Order No.	Mfg. No. / Description	Price
641806	(747-2000)	\$12.98 H

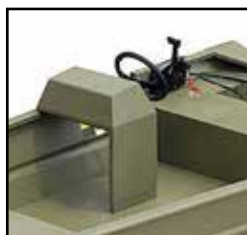
Ezy-Glide Side Mounting Bracket



- The Rigger's Pal is for port mounting installation adjacent to the operator seat.
- Can be used for mounting throttle box controls.
- Height 12".

Order No.	Mfg. No. / Description	Price
336657	(RP-12)	\$90.98 F

T-H Marine Steering Console Mount



- Aluminum console features welded construction, plywood reinforced face for steering wheel mounting, adjustable height, space for mounting switches and instruments and a flat top for depth finder mounting.
- Adaptable to most aluminum or fiberglass boats.
- Manufactured from .090 thick material.
- Overall width: 24", top of console: 20". Overall depth: 10-1/2", top of console: 5-1/2". Overall height: Adjustable from 16" to 26".

Order No.	Mfg. No. / Description	Price
640905	(SCM-2-DP)	\$259.98 R

T-H Marine Cable Boots



- Constructed of rugged black vinyl that resists ultraviolet rays, gasoline and oil.
- No longer is it necessary to split or cut your motor well boot to pass cables through.
- This cable boot provides a fully open area to pass wiring and cables through and when rigging is complete simply pull cable tie snug around wires and cable to complete installation.

Order No.	Mfg. No. / Description	Price
641906	(CB-2-DP) 2"	\$6.98 H
641921	(CB-4-DP) 4-1/2"	\$8.98 F

T-H Marine Reinforcing Rings for Cable Boots



- Installs over the base flange of T-H Marine cable boots.
- Provides a neat and tidy trim.
- Reinforces the softer vinyl cable boot to protect it from pulling thru screws due to movement of cables.
- Black.

Order No.	Mfg. No. / Description	Price
641912	(CBR-2-DP) For 2" Boot	\$3.23 H
641909	(CBR-1-DP) For 3" Boot	\$3.55 H
641914	(CBR-4-DP) For 4-1/2" Boot	\$3.77 H

- Fun & Flotation
- Anchor & Dock
- Safety
- Electronics
- Trolling Motors
- Lighting
- Electrical
- Topside Acc.
- Cockpit & Deck
- Instruments
- Steering, Controls
- Perform.
- Fuel System
- Engine & Parts
- Engine Care
- Propellers
- Seating & Pedestals
- Tops & Covers
- Pumps
- Cleaning & Care
- Paint & Paint Acc.
- Hardware, Fasteners
- Trailering
- Misc.
- Comm.

Marpac Utility Grommets



- Black.
- Sold per pair.

Order No.	Description	Price
7-0615	2-3/4" Grommet	\$10.98 G
7-0614	3-3/8" Grommet	\$11.98 G

Moeller Tiller Rope Grommet



- Durable, high density polyethylene won't rot or mildew.
- Recessed mounting holes allow grommets to be riveted in place or secured with #6 fasteners.
- Prevents damage to tiller cables and control cables.
- Grommet hole size for 2-7/8" diameter with a 1/2" bottom flange.
- Black.
- Sold per pair.

Order No.	Mfg. No. / Description	Price
486568	(020101-10)	\$5.98 R

MPI Products Outboard Hose and Cable Cover



- High quality, crush resistant plastic offers excellent flexing properties and abrasion resistance.
- Material is resistant to bilge acids, fuel solutions and ultra violet rays.
- For all bracket mounted outboard motors.
- ID 2".
- Bend radius 3".
- Black.

Order No.	Mfg. No. / Description	Price
641818	(127-2006) Length 50'	\$230.98 H
641819	(127-2003) Length 10'	\$48.98 H

T-H Marine Flex™ Expandable Braided Sleeving



- Lightweight, braided jacketing for bundling and protecting wires, cables and hoses.
- The unique expansion characteristics makes T-H FLEX easy to slip on.
- The sleeving cuts easily and cleanly with a hot knife and once installed, will beautify and protect any wire, hose or cable application.
- Braided from high temperature yarns.
- Chemical resistant.

Order No.	Mfg. No. / Description	Price
6400156	(FLX-25-DP) Diameter 1/4" Length 100'	\$43.98 H
642352	(FLX-50-DP) Diameter 1/2" Length 100'	\$86.98 H
642365	(FLX-75-DP) Diameter 3/4" Length 100'	\$113.98 H
642389	(FLX-150-DP) Diameter 1-1/2" Length 50'	\$104.98 R

T-H Marine Utility Grommets



- Made of tough, flexible vinyl.
- It is designed for multiple uses in boats, such as cable pass thru, landing net holder, fishing rod support or protector, stern light holder or any number of other uses.
- Sold by pair.

Order No.	Mfg. No. / Description	Price
641767	(UG-2-DP) 2-3/4" OD Max. Hole Size: 1-3/4" Black	\$10.98 H
641781	(UG-1-DP) 3-3/8" OD Max. Hole Size: 2-3/8" Black	\$10.98 H
641793	(UG-3-DP) 4" OD Max. Hole Size: 3" Black	\$15.98 H

Marpac Steering Cable Protector



- Heavy duty rubber boot.
- Output end: 3/8" diameter.
- Cable end: 1" diameter.
- Overall diameter: 1-1/2".
- Maximum length: 10". Minimum length: 3-1/2".

Order No.	Description	Price
7-0678	Steering Cable Protector	\$7.98 G

T-H Marine Zippered Rigging Sleeve



- Protects your cables and hoses with this easy to remove rigging sleeve.
- Made of rugged Sunbrella fabric, this sleeve will withstand the elements and resist fading.
- Easily zips on and off to access cables or hoses when needed.
- Ends are secured by cable ties sewn into pockets.

Order No.	Mfg. No. / Description	Price
640950	(ZRS-1DP) Length 48"	\$57.98 H

- Fun & Flotation
- Anchor & Dock
- Safety
- Electronics
- Trolling Motors
- Lighting
- Electrical
- Topside Acc.
- Cockpit & Deck
- Instruments
- Steering, Controls
- Perform.
- Fuel System
- Engine & Parts
- Engine Care
- Propellers
- Seating & Pedestals
- Tops & Covers
- Pumps
- Cleaning & Care
- Paint & Paint Acc.
- Hardware, Fasteners
- Trailer
- Misc.
- Comm.

T-H Marine Rigging Flange with Fuel Hose Port and Hose Union



Typical Fuel Hose Assembly

- Completes professional rigging installation.
- Complies with ABYC - NMMA Specs.
- Split design allows installation on pre-rigging boats.
- Fuel hose port fits type "A" hose and hose union fits Type "B" hose.
- Installs with T-H Marine Rigging Hose.

Order No.	Mfg. No. / Description	Price
640961	(RFFHP-1-DP) Rigging Flange with Fuel Hose Port	\$15.98 H
640970	(RFHU-1-DP) Rigging Flange Hose Union	\$13.98 H

Perko Fig. 565 Tiller Rope Pulley



- Stainless steel with white plastic sheave.
- Swivel type with strap.
- Maximum rope size 1/4".
- Sheave OD 2-5/16".
- Overall length 4", strap length 1-5/8".
- Uses #10 fasteners.
- Sold 2 per display pack.

Order No.	Mfg. No. / Description	Price
540887	(0565 DP)	\$26.98 R

Perko Fig. 1226 Tiller Rope Clamp



- Chrome plated zinc alloy.
- For 1/8" or 3/16" diameter cable.
- Width 11/16", overall length 1-1/4".
- Sold 2 per display pack.

Order No.	Mfg. No. / Description	Price
533554	(1226 DPO CHR)	\$9.98 R

T-H Marine Rigging Flange and Hose



- An excellent system to protect cables and wiring from dirt, abrasion, sun and water.
- The rigging flange serves to connect the rigging hose, which comes from the engine, to the boat.
- The molded polypropylene flange is internally threaded to retain rigging hose and to make rigging adjustment simple.
- The back side of the flange is textured to allow inverted mounting.
- Our rigging hose is durable, flexible, and kink resistant.
- The molded vinyl cap provides a closure for the engine end of hose if needed.
- Rigging flange kit featuring black rigging flange with 4' of black rigging hose.

Order No.	Mfg. No. / Description	Price
6400252	(RF-1-DP) Black Rigging Flange Fits 2" Rigging Hose	\$16.98 Q
641957	(RF-1CP-DP) Chrome Rigging Flange Fits 2" Rigging Hose	\$27.98 H
6400257	(RFK-1-DP) Black Rigging Flange Kit	\$44.98 H

Perko Fig. 634 Tiller Rope Pulley



- Stainless steel with white plastic sheave.
- Swivel snap hook type.
- Maximum rope size 1/4".
- Sheave OD 2-5/16".
- Overall length 4-5/8", opening snap throat 1/2".
- Sold 2 per display pack.

Order No.	Mfg. No. / Description	Price
541372	(0634 DP)	\$35.98 R

Clear Vinyl Jacketed Tiller Cable



- Clear vinyl jacketed.
- Steel tiller cable.
- Diameter 3/16".
- Minimum break strength 920 lbs.
- Meets all BIA requirements.
- Sold in 500' spools only.

Order No.	Mfg. No. / Description	Price
553518	(GT0947703)	\$189.98 H

- Fun & Flotation
- Anchor & Dock
- Safety
- Electronics
- Trolling Motors
- Lighting
- Electrical
- Topside Acc.
- Cockpit & Deck
- Instruments
- Steering, Controls
- Perform.
- Fuel System
- Engine & Parts
- Engine Care
- Propellers
- Seating & Pedestals
- Tops & Covers
- Pumps
- Cleaning & Care
- Paint & Paint Acc.
- Hardware, Fasteners
- Trailering
- Misc.
- Comm.

SeaStar Baystar Hydraulic Steering Package



- Baystar allows you to install all of the safety, reliability and comfort of hydraulic steering onto your 150 HP max. (or less) outboard powered boats.
- Manufactured in the tradition of the whole SeaStar family of products - for applications that exceed BayStar's HP rating please purchase one of our SeaStar products.
- BayStar kits come complete with everything needed for an install.
- Package includes:

- 799885 (HH4314-3) Baystar Standard Front Mount Helm
- 800616 (HC4645H) Baystar Cylinder
- 800587 (HT4420H) Baystar 20' Tubing Kit
- 799784 (HA5438) Filler Kit
- 799779 (HA5430) (2) Hydraulic Fluid, Quart

Order No.	Mfg. No. / Description	Price
799114	(HK4200A-3)	\$772.98 MAP

SeaStar Baystar Hydraulic Steering Cylinders



Order No.	Mfg. No. / Description	Price
800616	(HC4645H)	\$442.98 E
800618	(HC4647H) Fits Honda 1998 to 2009, 115-130 HP	\$450.98 E
800619	(HC4648H) Short	\$442.98 E

SeaStar Baystar Hydraulic Steering Components

Order No.	Mfg. No. / Description	Price
800587	(HT4420H) Baystar Tubing Kit: Length 20'	\$145.98 E
800577	(HP4600) Seal Kit: Fits Baystar Cylinders	\$94.98 E
801387	(HS147) Seal Kit: Fits HH4015 & HH4016 Baystar Helms	\$14.98 E
800620	(HF-4202) Hose Fitting/Bleeder for Baystar Cylinder	\$44.98 E

SeaStar Baystar Outboard Compact Application Guide

Manufacturer	Year	Model	Cylinder	Notes	
Force	1985 To Date	90-150 HP	HC4645H		
Honda	1992 To Date	30-90 HP	HC4645H		
	1998 To 2009	115-130 HP	HC4647H		
	2001 To Date	150 HP	HC4645H	5	
	2003 To Date	BF135 HP	HC4645H		
	2010 To Date	115-150 HP	HC4645H		
Johnson/Evinrude	1977 To 1989	65-150 HP	HC4648H		
	NOTICE: Johnson 115 HP 2-Stroke engines, required the pivot plate to be flipped.	1991 To Date	40-150 HP	HC4645H	
	1997 To Date	115 HP FICHT	HC4658H	4	
	1997 To Date	75-150 HP FICHT	HC4645H	5	
	1998 To Date	40-140 HP 4-Stroke	HC4658H	1, 4	
Mercury/Mariner	1984 To Date	75-150 HP	HC4645H	5	
	1990 To Date	120-140 HP	HC4645H		
Suzuki	1986 To Date	150 HP	HC4645H	5	
	1996 Only	115-140 HP	N/A		
	1987 To 2002	115-140 HP	HC4645H	1	
	1990 To 2000	90-100 HP	HC4645H		
	1998 To Date	40-70 HP 4-Stroke	HC4645H	1	
	2001 To Date	115-140 HP 4-Stroke	HC4658H	1, 4	
	2010 To Date	115A & B	HC4648H		
Tohatsu	1990 To Date	140 HP	HC4645H		
	Yamaha	1998 To Date	40-50 HP	HC4645H	2
		1998 To Date	60 HP	HC4645H	3
		1986 To Date	70-90 HP	HC4645H	1
Misc.	1997 To Date	80-150 HP 4-Stroke	HC4645H	5	
	2000 To Date	25-70 HP 4-Stroke	HC4648H	1	
	2010 To Date	115A & B	HC4648H		
Yanmar	1990 To Date	27-36 HP	HC4645H		

Marpacages Baystar Hydraulic Tilt Steering Package



- All the same features of our 799114 (HK4200A) Baystar Package, but with the convenience of a tilt helm.
- Package includes:

- 799899 (HH4315-3) Baystar Sport Tilt Helm
- 800616 (HC4645H) Baystar Cylinder
- 800506 (HO-5120) 20' Steering Hose
- 7-1087 (2) Hydraulic Fluid, Quart

Order No.	Description	Price
799102	Baystar Hydraulic Tilt Steering Package	\$1,311.98 E

SeaStar Baystar Hydraulic Steering Helms



Order No.	Mfg. No. / Description	Price
799885	(HH4314-3) Baystar Standard Front Mount Helm, 1.4 cu. in.	\$389.98 E
799001	(HH4514-3) Baystar Plus Front Mount Helm, 1.4 cu. in.	\$443.98 E
799899	(HH4315-3) Baystar Sport Tilt Helm, 1.4 cu. in.	\$623.98 E

SeaStar Gland Kits for Baystar Cylinder (HC4600)

- Requires two seal kits to completely re-seal the cylinder, both port and starboard (sold separately).
- For Baystar Cylinder (HC4600).

Order No.	Mfg. No. / Description	Price
800580	(HP5607) Port Side	\$100.98 E
800582	(HP5608) Starboard Side	\$100.98 E



Baystar Compact Cylinders HC4645H/47H/48H/58H

1. Requires Spacer Kit part #H05090.
2. Engine clamp brackets must be cut or ground, and the engine through bolted onto the transom, or interference will occur, restricting engine trim and tilt.
3. Steering hook Yamaha Part #63D-48511-004D must be installed.
4. Cylinder HC4645H may be used in these applications. The pivot plate will need to be flipped before installation. Instructions provided with Owner's Manual.
5. High performance 150 HP engines, such as Mercury Optimax should use SeaStar.

- This engine application is current through the revision date of July 20, 2011. For up-to-date engine applications go to: www.seastarsteering.com
- NOTICE: HC4645H compact cylinder is included in the BayStar Steering Kits. If your engine requires the use of a cylinder other than HC4645H or HC4658H then please refer to the figure below for additional replacement pivot plate. Available Special Order Only.



HA4640 Use with cylinder HC4645H
HA4641 Use with cylinder HC4647H
HA4642 Use with cylinder HC4648H
HA4643 Use with cylinder HC4658H

SeaStar Hydraulic Steering System

- SeaStar hydraulic steering systems use oil to transmit force from the steering wheel to the outboard motor or rudder.
- Instead of the push-pull cable of a mechanical system, the SeaStar system uses a "liquid cable" which is many times more efficient.
- Hydraulic steering is the most comfortable and efficient approach to steering a boat.
- It is available in several outboard, configurations to fit most boats.
- The helm pump is the heart of a hydraulic steering system.
- The ultimate in efficiency, safety and reliability, yet it is easy to install and maintain.
- SeaStar helms feature maximum steering comfort engineered into a compact, stylish design incorporating easy-access filling.

SeaStar Pro Front Mount Outboard Hydraulic Steering Packages



- SeaStar Pro is for high-performance boats with single non-power-assisted outboards up to 300 HP, especially those capable of speeds over 60 MPH, which demand maximum steering control and comfort.
- It is suitable for use with high-performance propellers and jack plates.
- Features patented steering lock valves.
- 4.25 turns from lock-to-lock.
- Compact helm has only a 4-7/16" footprint - needs only 3" dash hole (Tilt requires larger hole).
- Factory swaged hoses are Kevlar reinforced.
- Packaged complete with helm, cylinder, fittings, oil, bleeder kit and detailed instructions.
- Standard 3/4" tapered steering shaft.

Order No.	Mfg. No. / Description	Price
798126	(HK7514A-3) 14' Hose Kit	\$1,478.98 MAP
798128	(HK7516A-3) 16' Hose Kit	\$1,496.98 MAP
798130	(HK7518A-3) 18' Hose Kit	\$1,514.98 MAP
798132	(HK7520A-3) 20' Hose Kit	\$1,532.98 MAP
798134	(HK7522A-3) 22' Hose Kit	\$1,549.98 MAP
798136	(HK7524A-3) 24' Hose Kit	\$1,567.98 MAP

SeaStar Pro Front Mount Outboard Hydraulic Steering Packages



- For Performance Boats
- High-speed straight course running with instant steering response.
- Stops wheel walk and chatter of high speed.
- High power/speed (50 mph/150 HP and up) outboard boats.
- Typical applications: Bass, Ski and other high speed outboard powered boats.
- Designed for long life in a marine environment.
- Precision built and easy to install.
- Suitable for most major outboard engine brands.
- Single engine, threaded tilt tube 300 HP maximum.
- Consist of: Helm (HH5770-3), Front Mount Cylinder (HC-6345-3), Hose Kit, 2 Quarts of Hydraulic Fluid (HA5430) and fittings for most applications.
- Please refer to cylinder application chart when ordering.

Order No.	Mfg. No. / Description	Price
798144	(HK7314) 14' Hose Kit	\$1,418.98 E
798162	(HK7316) 16' Hose Kit	\$1,415.98 E
798188	(HK7318) 18' Hose Kit	\$1,414.98 E
798190	(HK7320) 20' Hose Kit	\$1,412.98 E
798124	(HK7400A-3) SeaStar Pro Kit without Hoses	\$1,238.98 E
798225	(HK7445S) SeaStar Pro Kit without Hoses (Silver Cyl.)	\$1,344.98 E

SeaStar Front Mount Outboard Hydraulic Steering Packages



- Provides easier and smoother steering than any other competitive systems.
- Standard 3/4" tapered steering wheel shaft.
- Suitable for most major outboard engine brands.
- Precision built and easy to install.
- Single engine, threaded tilt tube 300 HP maximum.
- Dual engines, threaded tilt tube 450 HP maximum combined. (Order tie bar separately.)
- Consist of: Helm (HH5271-3), Front Mount Cylinder (HC-5345-3), Hose Kit, 2 Quarts of Hydraulic Fluid (HA5430) and fittings for most applications.
- Please refer to a cylinder application chart when ordering.

Order No.	Mfg. No. / Description	Price
799166	(HK6316) 16' Hose Kit	\$1,370.98 E
799187	(HK6318) 18' Hose Kit	\$1,376.98 E
799200	(HK6320) 20' Hose Kit	\$1,375.98 E
799222	(HK6322) 22' Hose Kit	\$1,399.98 E
799244	(HK6324) 24' Hose Kit	\$1,398.98 E
799126	(HK6400A-3) SeaStar Kit without Hoses	\$1,207.98 MAP

Marpacages SeaStar Packages with Stainless Steel Steering Wheel with Knob



- Consist of: Helm (HH5271-3), Front Mount Cylinder (HC-5345-3), Hose Kit, 2 Quarts of Hydraulic Fluid (HA5430) and Stainless Steel Steering Wheel.
- Stainless Steel Wheels ship separately from SeaStar Solutions Items.

INCLUDES: MARPAC 13" STAINLESS STEEL STEERING WHEEL

Order No.	Mfg. No. / Description	Price
799300	(HKSSW1316) 16' Hose Kit	\$1,490.98 E
799301	(HKSSW1320) 20' Hose Kit	\$1,497.98 E
799302	(HKSSW1324) 24' Hose Kit	\$1,522.98 E

INCLUDES: MARPAC 15-1/2" STAINLESS STEEL STEERING WHEEL

Order No.	Mfg. No. / Description	Price
799305	(HKSSW1516) 16' Hose Kit	\$1,468.98 E
799306	(HKSSW1520) 20' Hose Kit	\$1,475.98 E
799307	(HKSSW1524) 24' Hose Kit	\$1,500.98 E

- Fun & Flotation
- Anchor & Dock
- Safety
- Electronics
- Trolling Motors
- Lighting
- Electrical
- Topside Acc.
- Cockpit & Deck
- Instruments
- Steering, Controls
- Perform.
- Fuel System
- Engine & Parts
- Engine Care
- Propellers
- Seating & Pedestals
- Tops & Covers
- Pumps
- Cleaning & Care
- Paint & Paint Acc.
- Hardware, Fasteners
- Trailering
- Misc.
- Comm.

SeaStar Sport Tilt Helm Outboard Hydraulic Steering Packages



- SeaStar tilt steering's strong design and versatility mean style, durability and comfort for almost any boat!
- 5 wheel positions allow adjustment to the most comfortable steering position.
- 48° tilt range (12 down - 36 up).
- Standard 3/4" tapered steering wheel shaft.
- Consist of: Sport Tilt Helm (HH6191-3), Front Mount Cylinder (HC-5345-3), Hose Kit and (2) Hydraulic Fluid, Quart (HA5430).

Order No.	Description	Price
799287	16' Hose Kit	\$1,673.98 E
799289	20' Hose Kit	\$1,679.98 E
799290	24' Hose Kit	\$1,666.98 E

SeaStar Classic Tilt Helm Outboard Hydraulic Steering Packages



- SeaStar tilt steering's strong design and versatility mean style, durability and comfort for almost any boat!
- 5 wheel positions allow adjustment to the most comfortable steering position.
- 48° tilt range (18 down - 30 up).
- Standard 3/4" tapered steering wheel shaft.
- 2 year limited warranty.
- Consist of: Classic Tilt Helm (HH6541-3), Front Mount Cylinder (HC-5345-3), Hose Kit and (2) Hydraulic Fluid, Quart (HA5430).
- Please refer to cylinder application chart when ordering.

Order No.	Description	Price
799293	16' Hose Kit	\$1,585.98 E
799291	20' Hose Kit	\$1,591.98 E
799295	24' Hose Kit	\$1,615.98 E

SeaStar Tilt Steering Kit with Sport Helm (without Hose)



- Consist of:
 - (1) HH6191-3 Sport Tilt Helm
 - (1) HC5345-3 Front Mount Cylinder
 - (2) HA5430 Hydraulic Fluid, Quart

Order No.	Mfg. No. / Description	Price
799140	(HK6400TS-3)	\$1,421.98 MAP

SeaStar Yamaha Tilt Steering Kit with Classic Helm (without Hose)



- Consist of:
 - (1) HH6541-3 Classic Tilt Helm
 - (1) HC5358-3 Front Mount Cylinder (225 HP 4-Stroke Yamaha)
 - (2) HA5430 Hydraulic Fluid, Quart

Order No.	Mfg. No. / Description	Price
799148	(HK6500YTC-3)	\$1,485.98 MAP

SeaStar Pro Tilt Helm Outboard Hydraulic Steering Packages



- Consist of: Pro Sport Tilt Helm (HH6190-3), Front Mount Cylinder (HC-5345-3), Pro Hose Kit, (2) Hydraulic Fluid, Quart (HA-5430).

Order No.	Mfg. No. / Description	Price
798197	(HK7514) 14' Hose Kit	\$1,679.98 E
798198	(HK7516) 16' Hose Kit	\$1,677.98 E
798199	(HK7518) 18' Hose Kit	\$1,676.98 E
798200	(HK7520) 20' Hose Kit	\$1,675.98 E

SeaStar Dual Front Mount Outboard Hydraulic Steering Package



- Provides easier and smoother steering than any other competitive system.
- Standard 3/4" tapered steering wheel shaft.
- Designed for long life in a marine environment.
- Precision built and easy to install.
- Suitable for most major outboard engine brands.
- Dual engines, threaded tilt tube 600 HP maximum combined.
- Consist of: Helm (HH5272-3), (2) Front Mount Cylinders (HC-5345-3), 2' Hose Kit (HO-5102), 4' Hose Kit (HO-5104), 20' Hose Kit (HO-5120), 3/8" Tee Fitting (3 each) and (3) Hydraulic Fluid, Quart (HA5430) for most applications.
- Please refer to cylinder application chart when ordering.

Must Order Tie Bar Separately. See Page 476.

Order No.	Description	Price
799405	20' Hose Kit	\$2,375.98 E

SeaStar Tilt Steering Kit with Classic Helm (without Hose)



- Consist of:
 - (1) HH6541-3 Classic Tilt Helm
 - (1) HC5345-3 Front Mount Cylinder
 - (2) HA5430 Hydraulic Fluid, Quart

Order No.	Mfg. No. / Description	Price
799146	(HK6400TC-3)	\$1,421.98 MAP

SeaStar Yamaha Steering Kit (without Hose)



- Consist of:
 - (1) HH5271-3 Front Mount Helm
 - (1) HC5358-3 Front Mount Cylinder (225 HP 4-Stroke Yamaha)
 - (2) HA5430 Hydraulic Fluid, Quart

Order No.	Mfg. No. / Description	Price
799142	(HK6500Y-3)	\$1,134.98 MAP

SeaStar Inboard Steering Application Guide



- Warning: Many factors influence steering loads.
- These recommendations are provided only as a general guideline.
- SeaStar may be used on any size vessel as long as steering system working pressures do not exceed 500-600 psi/35-40 bar and periodic maximum peak pressures do not exceed 800 psi/56 bar.
- SeaStar Capilano System Recommended.

PLANING HULL

Boat Length Up To	26' (8m)	32' (10m)	38' (11.5m)	44' (13.5m)	50' (15m)
Single Engine	Pleasure System 1	System 2	System 3	System 5	-
	Work System 4	System 4	System 5	-	-
Twin Engine	Pleasure System 1	System 1	System 2	System 3	System 5
	Work System 4	System 4	System 5	System 5	-

DISPLACEMENT HULL

Boat Length Up To	26' (8m)	32' (10m)	38' (11.5m)	44' (13.5m)	50' (15m)
Single Engine	Pleasure System 2	System 3	System 5	-	-
	Work System 4	System 4	System 5	-	-
Twin Engine	Pleasure System 2	System 3	System 3	System 5	-
	Work System 4	System 4	System 5	-	-

SeaStar Inboard Steering Order Guide



SYSTEM 1:

- Includes: 1 Each Helm **800000** (HH5271-3)
1 Each BA125-7ATM Cylinder **800804** (HC5312-3)
2 Each Hydraulic Fluid **799779** (HA5430)

SYSTEM 2:

- Includes: 1 Each Helm **800000** (HH5271-3)
1 Each BA135-7ATM Cylinder **800816** (HC5313-3)
2 Each Hydraulic Fluid **799779** (HA5430)

SYSTEM 3:

- Includes: 1 Each Helm **800000** (HH5271-3)
1 Each BA150-7ATM Cylinder **800828** (HC-5314-3)
2 Each Hydraulic Fluid **799779** (HA5430)

SYSTEM 4:

- Includes: 1 Each Helm **800013** (HH5272-3)
1 Each BA150-7TM Cylinder **800866** (HC5318-3)
2 Each Hydraulic Fluid **799779** (HA5430)

SYSTEM 5:

- Includes: 1 Each Helm **800013** (HH5272-3)
1 Each BA175-7TM Cylinder **800878** (HC5319-3)
2 Each Hydraulic Fluid **799779** (HA5430)

Order No.	Description	Price
799604	System 1	\$1,143.98 E
799617	System 2	\$1,142.98 E
799623	System 3	\$1,141.98 E
799638	System 4	\$1,565.98 E
799643	System 5	\$1,586.98 E

* All systems may use:

- 1) SeaStar Outboard Hydraulic Hose Kits (Series HO-51_ __) on runs up to 30'.
- 2) SeaStar Nylon Tubing on runs up to 50' for systems 1, 2 and 3 or.
- 3) 3/8" Copper Tubing and appropriate connection kits.

SeaStar Side Mount Outboard Hydraulic Steering Package



- Ease of installation.
- Alternative to front mount cylinder where space allows.
- Unbalanced cylinder design means lock-to-lock turns are slightly different between center to hard over left and center to hard over right.
- Suitable for installation in shallow splash wells.
- Suitable for use on most engines with tilt tube steering or fitted with power steering.
- Single engine, threaded tilt tube 300 HP maximum.
- Dual engines, threaded tilt tube 300 HP maximum combined.
- Order tie bar separately.
- Consist of: Helm (HH5271-3), Side Mount Cylinder (HC-5370), Hose Kit, 2 Hydraulic Fluid, Quart (HA5430) and fittings for most applications.

Order No.	Description	Price
799354	20' Hose Kit	\$1,237.98 E

SeaStar Splashwell Mount Outboard Hydraulic Steering Package



- Light duty alternative to front and side mount cylinder.
- Unbalanced cylinder design means lock-to-lock turns are slightly different between center to hard over left and center to hard over right.
- Suitable for installation in shallow splash wells.
- Suitable for use on most engines with/without tilt tube steering.
- Consist of: Helm (HH5271-3), Splashwell Mount Cylinder (HC-5380), Hose Kit, 2 Hydraulic Fluid, Quart (HA5430) and fittings for most applications.

Order No.	Description	Price
799382	20' Hose Kit	\$1,378.98 E

SeaStar Mercruiser Hydraulic Steering Package



- Consist of: Helm (HH5271-3), Sterndrive Cylinder (HC-5332), and 2 Hydraulic Fluid, Quart (HA5430).
- Hoses and hose kits must be ordered separately.

Order No.	Mfg. No. / Description	Price
799366	(HKMER01)	\$1,198.98 E

- Fun & Flotation
- Anchor & Dock
- Safety
- Electronics
- Trolling Motors
- Lighting
- Electrical
- Topside Acc.
- Cockpit & Deck
- Instruments
- Steering, Controls**
- Perform.
- Fuel System
- Engine & Parts
- Engine Care
- Propellers
- Seating & Pedestals
- Tops & Covers
- Pumps
- Cleaning & Care
- Paint & Paint Acc.
- Hardware, Fasteners
- Trailering
- Misc.
- Comm.

SeaStar I, II Sterndrive Hydraulic Steering Systems

POWER ASSIST

- BMW, Mercruiser, OMC, Volvo (Gas) and Yamaha Order:
 - 1 Each SeaStar Helm **800000** (HH-5271-3)
 - 1 Each 125-8EM Cylinder **800744** (HC-5328-3)
 - 2 Each Hydraulic Fluid **799779** (HA-5430)
 - *Order Hose Kit Separately

*All systems may use:

- 1 SeaStar Solutions Outboard Hydraulic Hose Kits (Series HO-51_ _) on runs up to 30'.
- 2 SeaStar Solutions Nylon Tubing on runs up to 50' for systems 1, 2 and 3. or.
- 3) 3/8" Copper Tubing and appropriate connection kits.

NON POWER ASSIST

- Mercruiser - Alpha/Bravo 1984 to Date Order:
 - 1 Each SeaStar Helm **800000** (HH-5271-3)
 - 1 Each BA135-7EM Cylinder **800731** (HC-5332-3)
 - 2 Each Hydraulic Fluid **799779** (HA-5430)
 - *Order Hose Kit Separately
- OMC - Cobra, King Cobra Order:
 - 1 Each SeaStar Helm **800000** (HH-5271-3)
 - 1 Each BA150-7EM Cylinder (HC-5326-3)
 - 2 Each Hydraulic Fluid **799779** (HA-5430)
 - *Order Hose Kit Separately

SeaStar Front Mount Steering Helms



- For all SeaStar cylinders.
- Convenient front of dash fill.
- Small 3.0" hole cutout on dash.
- Available in 1.7, 2.0 and 2.4 cubic inch displacements.

Order No.	Mfg. No. / Description	Price
800000	(HH5271-3) 1.7 cubic inch	\$558.98 E
800015	(HH5273-3) 2.0 cubic inch	\$702.98 E
800013	(HH5272-3) 2.4 cubic inch	\$686.98 E

SeaStar PRO Front Mount Steering Helm



- Designed for high speed outboard boats.

Order No.	Mfg. No. / Description	Price
799900	(HH5770-3) 2.0 cubic inch	\$597.98 E

SeaStar Rear Mount Steering Helms



- Behind dash mounting configuration.
- Remote fill point.
- Complete with elbow fittings.

Order No.	Mfg. No. / Description	Price
802510	(HH5261-3) 1.7 cubic inch	\$665.98 E
802512	(HH5262-3) 2.4 cubic inch	\$806.98 E

SeaStar Commercial Front Mount Steering Helm



- Specifically designed to be used on smaller fishing vessels involved in the Lobster and Crabbing Industries.
- Designed with a stainless steel shaft and heavy duty shaft seal and wiper.
- This new shaft and seal help protect the Helm Pump from the abrasive effects of sediment that is brought on board by the operator handling traps or pots.

Order No.	Mfg. No. / Description	Price
800048	(HH5217-3) 1.7 cubic inch	\$653.98 E

SeaStar Sport Tilt Steering Helms



- 5 wheel positions allow adjustment to most comfortable steering position.
- 48° tilt range (12 down - 36 up).
- Remote fill point.

Order No.	Mfg. No. / Description	Price
800020	(HH6191-3) 1.7 cubic inch	\$896.98 E
800032	(HH6192-3) 2.4 cubic inch	\$953.98 E

SeaStar Pro Sport Tilt Steering Helm



- 5 wheel positions allow adjustment to most comfortable steering position.
- 48° tilt range (12 down - 36 up).
- Remote fill point.

Order No.	Mfg. No. / Description	Price
800018	(HH6190-3) 2.0 cubic inch	\$869.98 E

SeaStar Classic Tilt Steering Helms



- Pre loaded dual taper bearings ensures minimal excess free play.
- Smooth operation and feel.
- Shaft seals to prevent water ingress.
- 5 wheel positions allow adjustment to most comfortable steering position.
- 48 degree tilt range (18 down - 30 up).
- Convenient front of dash fill.
- Complete with elbow fittings.

Order No.	Mfg. No. / Description	Price
800045	(HH6541-3) 1.7 cubic inch	\$849.98 E
800050	(HH6542-3) 2.4 cubic inch	\$982.98 E

- Fun & Flotation
- Anchor & Dock
- Safety
- Electronics
- Trolling Motors
- Lighting
- Electrical
- Topside Acc.
- Cockpit & Deck
- Instruments
- Steering, Controls
- Perform.
- Fuel System
- Engine & Parts
- Engine Care
- Propellers
- Seating & Pedestals
- Tops & Covers
- Pumps
- Cleaning & Care
- Paint & Paint Acc.
- Hardware, Fasteners
- Trailering
- Misc.
- Comm.

SeaStar Service Kit for SeaStar Helm



• Kit includes:

SeaStar #	Description	Qty.
747521	Wheel Shaft Lock Nut, 5/8" NF, Jam Nylon	1 each
067424	Nut, 1/4" NC, Nyloc	4 each
201429	Washer, 1/4" Flat SS	4 each
260130	Woodruff Key	1 each
225226	Quad Ring Seal .210 70DUR N	1 each
763721	Top Plate	1 each

Order No.	Mfg. No. / Description	Price
801298	(HP6032)	\$10.98 E

SeaStar Replacement Helm Seal Kits



FOR: HH-5271, HH-5272, HH-5741, HH-5742, HH-5291, HH-5292, HH-5770

Order No.	Mfg. No. / Description	Price
801399	(HS-5176)	\$59.98 E

FOR: HH-5201, HH-5202 OLD HELMS

Order No.	Mfg. No. / Description	Price
801400	(HS-5151)	\$42.98 E

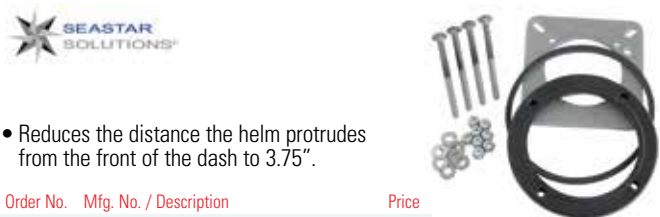
SeaStar Filler Kit



- Nozzle for filling your Hydraulic SeaStar Systems.
- For use on SeaStar's Helm I/O, O/B, and I/B engine pumps for boats up to 40 foot.
- Includes: Tube and pushpin to vent and re-seal SeaStar HA5430 Oil bottle (Not included).

Order No.	Mfg. No. / Description	Price
799784	(HA5438)	\$19.98 E

SeaStar Round Bezel



- Reduces the distance the helm protrudes from the front of the dash to 3.75".

Order No.	Mfg. No. / Description	Price
799835	(HA5478)	\$154.98 E

SeaStar Fitting Kit for SeaStar Helm to Hynautic Hose



- For use with 5/16" and 3/8" ID Hynautic hose.

Order No.	Mfg. No. / Description	Price
401543	(HF-05)	\$51.98 E

SeaStar Service Kit for Commercial Helm



• Kit includes:

SeaStar #	Description	Qty.
747521	Wheel Shaft Lock Nut, 5/8" NF, Jam Nylon	1 each
225226	Quad Ring Seal .210 70DUR N	1 each
260130	Woodruff Key	1 each
793687	Plate Seal M/C Alum	1 each
798567	O Ring N06745329 70DUR N	1 each
827926	B/U Ring 8-018 90DNO300	1 each
798676	O Ring N06745102 70DUR N	3 each
826025	FHMS # 8-32X 3/8 SS + UC	3 each
067424	Nut, 1/4" NC Nyloc	4 each
210429	Washer 1/4 Flat BS/USS ZP	4 each

Order No.	Mfg. No. / Description	Price
801325	(HP6037)	\$70.98 E

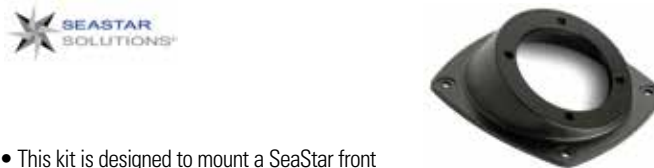
SeaStar Backplate Kit



- Backplate kit is used with a SeaStar front mount helm to: Retrofit a new SeaStar standard helm in the old 4.5" diameter hole or reduce the helm protrusion from the dash by the thickness of the dash or retrofit new SeaStar standard helm into hole cutouts for mechanical and hydraulic steering systems.

Order No.	Mfg. No. / Description	Price
799847	(HA5418)	\$38.98 E

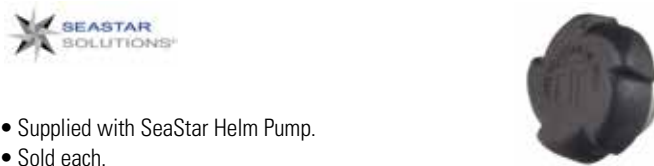
SeaStar Helm Mounting with 20° Wedge Kit



- This kit is designed to mount a SeaStar front mount helm at a 20° angle to the mounting surface.
- Four possible mountings by varying wedge position.
- No helm modifications are needed.

Order No.	Mfg. No. / Description	Price
799811	(HA5419)	\$78.98 E

SeaStar Vent Plug for SeaStar Helm



- Supplied with SeaStar Helm Pump.
- Sold each.

Order No.	Mfg. No. / Description	Price
801220	(HP6126)	\$7.98 E

SeaStar High Strength Tiller Bolt and Nylock Nut



Order No.	Mfg. No. / Description	Price
799852	(HA5822)	\$19.98 E

- Fun & Flotation
- Anchor & Dock
- Safety
- Electronics
- Trolling Motors
- Lighting
- Electrical
- Topside Acc.
- Cockpit & Deck
- Instruments
- Steering, Controls
- Perform.
- Fuel System
- Engine & Parts
- Engine Care
- Propellers
- Seating & Pedestals
- Tops & Covers
- Pumps
- Cleaning & Care
- Paint & Paint Acc.
- Hardware, Fasteners
- Trailering
- Misc.
- Comm.

SeaStar Front Mount Outboard Cylinders



- No adapter plate required for installation.
- Unique pivoted tiller connection allows full engine articulation with independent tilt and trim on twin engines.
- Small footprint fits virtually all splash wells.
- Meets A.B.Y.C. Standards/N.M.M.A. Requirements.
- Some installations require spacer kit **800575** (HO-5090).

Order No.	Mfg. No. / Description	Price
800639	(HC5345-3)	\$655.98 E
800622	(HC5347-3) Honda 115-130 HP, 1998 to 2009	\$775.98 E
800643	(HC5348-3)	\$775.98 E
800735	(HC5358-3) Yamaha 225 HP, 4-Stroke	\$635.98 E
800655	(HC5375-3) Cylinder with Heavy Duty Piston Seal	\$862.98 E
800688	(HC5345SIL-3) Silver Version	\$812.98 E
800690	(HC5358SIL-3) Yamaha 225 HP, 4-Stroke, Silver Version	\$844.98 E

- Replacement SeaStar Front Mount.
- Some applications require additional cylinder mounting hardware.
- Single engine - 300 HP maximum.
- Dual engine - 450 HP maximum combined with tie bar.
- For replacement use only.
- For new installation use **800639** (HC-5345-3).

Order No.	Mfg. No. / Description	Price
800094	(HC5342)	\$1,029.98 E

SeaStar Pro Front Mount Outboard Cylinder



- Suited for all those critical high speed, single powered outboard boats, like Bass, Flats, combo Race/Ski and other performance oriented boats capable of speeds in excess of 65 mph.
- Before ordering it is necessary to determine the proper cylinder and helm pump for the application.
- All SeaStar PRO systems require the use of a SeaStar PRO helm and SeaStar PRO (1,500 psi) reinforced Kevlar hoses ONLY!

Order No.	Mfg. No. / Description	Price
801034	(HC6345SIL-3) Silver Version	\$763.98 E

SeaStar Splashwell Mount Outboard Cylinder



- Light duty alternative to front and side mount cylinders.
- Unbalanced cylinder design means lock-to-lock turns are slightly different between center to hard over left and center to hard over right.
- Suitable for use on most engines with or without tilt tube steering.
- Single or Dual engines – 300 HP maximum combined with tie bar.
- (Not for use with SeaStar Pro Helms).

Order No.	Mfg. No. / Description	Price
800676	(HC-5380-3)	\$663.98 E

SeaStar Front Mount Outboard Tournament Series Cylinder



- Suitable for use with all SeaStar Helms and SeaStar Power Assist.
- Heavy duty universal cylinder.
- Bolt on stainless steel tie bar plates, also reversible (patent pending).
- Robust design with heavy duty support brackets, barrel, shaft & seals.
- Superior corrosion resistance.
- New pivot plate design provides smooth articulation and a sealed joint (patent pending).
- Heavy duty adjustable tie bar (patent pending).
- Equipped with stainless steel adjustable O-ring sealed elbow fittings which can be easily orientated in any direction.
- Important Information: Each configuration requires a hardware kit and tie bar kit(s), with the exception of the single engine configuration.

Order No.	Mfg. No. / Description	Price
800780	(HC6845) Cylinder	\$919.98 E
802450	(HA6801) Hardware Kit Single Engine Single Cylinder	\$91.98 E
802452	(HA6802) Hardware Kit Twin Engine Single Cyl. STBD	\$485.98 E
802454	(HA6804) Hardware Kit Twin Engine Dual Cylinder	\$345.98 E
802456	(HA6806) Hardware Kit Triple Engine Dual Cylinder	\$647.98 E
801782	(HF6005) ORB Cylinder Tee Fitting Kit	\$52.98 E
802430	(HO6820) Tie Bar, Small	\$345.98 E
802432	(HO6821) Tie Bar, Medium	\$367.98 E
802434	(HO6822) Tie Bar, Large	\$422.98 E
802436	(HO6823) Tie Bar, X-Large	\$500.98 E

SeaStar Tournament Series Cylinders and Tie Bars



- For use with all SeaStar helms.
- Designed for extreme boating conditions.
- Heavy duty stainless integral tie bar and pivot plate.
- Rock-solid design for no-compromise performance in rigorous use.

Order No.	Mfg. No. / Description	Port	Price
800747	(HC6751) Honda, Mercury, Suzuki, Yamaha	Port	\$1,099.98 LQ
800766	(HC6754) Evinrude	Port	\$1,099.98 LQ

SeaStar Side Mount Outboard Cylinder



- Alternative to front mount cylinder where space allows.
- Unbalanced cylinder design means lock-to-lock turns are slightly different between center to hard over left and center to hard over right.
- Suitable for installation in shallow splashwells.
- Suitable for use on most engines with tilt tube steering or fitted with power steering.
- Single or Dual engines - 300 HP maximum combined with tie bar.
- (Not for use with SeaStar Pro Helms).

Order No.	Mfg. No. / Description	Price
800652	(HC-5370-3)	\$509.98 E
801503	(HS-5153) Cylinder Seal Kit	\$54.98 E

SeaStar Front Mount Outboard Cylinder Application Guide

Engine Manufacturer	Year	Model	Single Engine Cylinder	Twin Engine Cylinder	Twin Eng. Single Cyl. Tie Bar Kit	Twin Eng. Dual Cyl. Tie Bar Kit	Engine Adapter Plates for use with OEM Tie Bars	Triple Engine Dual Cylinder	Port To Drive Cyl. Tie Bar	Starboard to Drive Cyl. Tie Bar	Notes
Honda	1996 TO DATE	75-90 HP	HC5345-3	HC5345-3	HO6001	HO6002	HO5044A - S/O	HC5345x2	HO6001	HO6002	Note 3
	1998 TO DATE	115-130 HP	HC5347-3	HC5347-3	HO5063	HO5064	HO5044A - S/O				
	1998 TO DATE	30-50 HP	HC5345-3	HC5345-3	HO6001	HO6002					Note 1
	2001 TO DATE	150 HP 4-Stroke	HC5345-3	HC5345-3	HO6003	HO6002					
	2001 TO DATE	135-225 HP 4-Stroke	HC5345-3	N/A							
	2001 TO DATE	225 HP 4-Stroke	HC5345-3	HC5345-3	HO6001	HO6002					
2003 TO DATE	BF135 HP	HC5345-3	HC5345-3	HO6003	HO6002						
J/E	1997 TO 1990	65-300 HP	HC5348-3	HC5348-3	HO6003	HO56002					
	1988 TO 1997	250-300 HP V8	HC5342	HC5342	HO5001A	HO5030					Note 7
	1991 TO DATE	90-175 HP						HC5345x2	HO5080	HO5080	
	1991 TO DATE	250-300 HP						HC5345x2	HO6001	HO6002	
	1991 TO DATE	200-225 HP						HC5345x2	HO6003	HO6002	
	1991 TO DATE	90-225 HP Ficht						HC5345x2	HO5080	HO5080	Note 8
	1991 TO DATE	40-250 HP	HC5345-3	HC5345-3	HO6003	HO6002					Note 9
	1996 TO DATE	75-250 HP Ficht	HC5345-3	HC5345-3	HO6003	HO6002	HO5072A - 802240				
	1998 TO DATE	40-140 HP 4-Stroke	HC5358-3	HC5358-3	HO6003	HO6002					Note 1
	1998 TO DATE	65-70 HP 4-Stroke						HC5345x2	HO6003	HO6002	Note 1
	2000 TO DATE	115 HP FICT	HC5358-3	HC5358-3	HO6003	HO6002					Note 1
	2002 TO DATE	200-225 HP 4-Stroke	HC5345-3	HC5345-3	HO6003	HO6002	HO5072A - 802240				
	2005 TO DATE	E250 DXP Vindicator	HC5348-3	HC5348-3	HO6003	HO6002		HC5348x2	HO6003	HO6002	
M/M	1984 TO 1994	2.4/2.5 HP EFI	HC5345-3	HC5345-3	HO6001	HO6002					Note 4
	1989 TO DATE	75-300 HP	HC5345-3	HC5345-3	HO6001	HO6002	HO5038A - 802276				Note 3
	1989 TO DATE	75-275 HP						HC5345x2	HO5080	HO5080	
	1996 TO DATE	75-225 HP 4-Stroke	HC5345-3	HC5345-3	HO6001	HO6002					
	1998 TO DATE	30-60 HP	HC5345-3	HC5345-3	HO6001	HO6002					Note 1
	2002 TO DATE	225 HP 4-Stroke		HC5358-3	HO6001	HO6002					
	2003 TO DATE	250-300 HP XS	HC6345-3								Note 5
2003 TO DATE	250 HP XS		HC5345-3	N/A	HO6002		HC5345x2	HO6002	HO6002	Note 6	
Nissan/Tohatsu	1990 TO DATE	90-140 HP	HC5345-3	HC5345-3	HO6001	HO6002					
Suzuki	1986 TO DATE	100 HP	HC5345-3	HC5345-3	HO6003	HO6002					
	1986 TO 2002	115-140 HP	HC5345-3	HC5345-3	HO6001	HO6003	NOT 1996				
	1986 TO DATE	150-250 HP 2&4-Stroke	HC5345-3	HC5345-3	HO6003	HO6002	HO5072A - 802240	HC5345x2	HO6003	HO6002	
	1996 Only	115-140 HP	HC5348-3	HC5348-3	HO6001	HO6002		HC5345x2	HO6003	HO6002	
	1998 TO DATE	65-70 HP 4-Stroke						HC5345x2	HO6001	HO6002	Note 1
	1998 TO DATE	40-140 HP 4-Stroke	HC5358-3	HC5358-3	HO6003	HO6002					Note 1
2003 TO DATE	90 HP 4-Stroke	HC5358-3	HC5358-3	HO6003	HO6002					Note 1	
US Marine/Force	1996 TO DATE	90-120 HP	HC5345-3	HC5345-3	HO6001	HO6002	HO5038A - 802276	HC5345x2	HO6001	HO6002	
Yamaha	1990 TO DATE	40-90 HP	HC5345-3	HC5345-3	HO6003	HO6002					
	1990 TO DATE	100-200 HP						HC5345x2	HO6001	HO6002	
	1990 TO DATE	225-250 HP 4-Stroke						HC5358x2	HO5080	HO5080	
	1986 TO DATE	100-250 HP 2-Stroke	HC5345-3	HC5345-3	HO6001	HO6002					
	1997 TO DATE	80-225 HP 4-Stroke	HC5345-3	HC5358-3	HO6001	HO6002					Note 2
	1998 TO DATE	80-100 HP 4-Stroke						HC5358x2	HO6001	HO6002	
	2000 TO DATE	150-250 HPDI	HC5345-3	HC5358-3	HO6001	HO6002					Note 2
	2002 TO DATE	300 HPDI	HC5358-3	HC5358-3	HO6001	HO6002					
	2003 TO DATE	25-60 HP 4-Stroke	HC5348-3	HC5348-3	HO6003	HO6002					Note 1
	2006 TO DATE	350 HP	HC5358-3	MUST Use Tournament Cylinders							
Yanmar	1994 TO DATE	27 & 36 HP	HC5345-3	HC5345-3	HO6001	HO6002					

Note 1: Requires Spacer Kit HO5090

Note 2: HC5345 is optional for Single Engine Only applications - Do not use HC5345 for twin engines in this application.

Note 3: Minimum Engine Center = 27".

Note 4: May require extensive cowling modifications.

Note 5: Must use Mercury supplied tiller bolt for installation.

Note 6: One Cylinder per engine, Must use Mercury supplied tiller bolt for installation.

Note 7: HO5030 and HO5064 comes without tie bar.

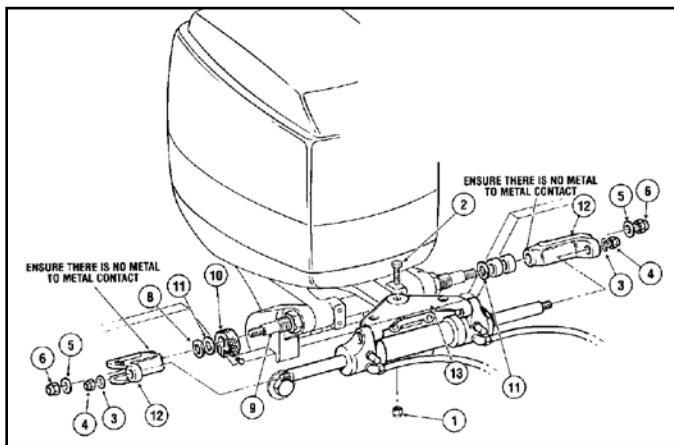
Note 8: Minimum Engine Center = 29".

Note 9: Includes Etech Engines.



- Fun & Flotation
- Anchor & Dock
- Safety
- Electronics
- Trolling Motors
- Lighting
- Electrical
- Topside Acc.
- Cockpit & Deck
- Instruments
- Steering, Controls
- Perform.
- Fuel System
- Engine & Parts
- Engine Care
- Propellers
- Seating & Pedestals
- Tops & Covers
- Pumps
- Cleaning & Care
- Paint & Paint Acc.
- Hardware, Fasteners
- Trailering
- Misc.
- Comm.

SeaStar Front Mount Cylinder Parts - HC-5345



Item	DMI #	MFG #	Qty.	Description	Price
2	796290	(HP6001)	1	Stainless Steel Bolt and Nut	\$21.98 E
5	796358	(HP6134)	2	Stainless Steel Washer	\$7.98 E
6	796346	(HF6008)	2	FCP Nut, 1/2"	\$26.98 E
9	796409	(HP6016)	1	Support Rod	\$76.98 E
11	796372	(HP6017)	2	FCP Washer	\$6.98 E
12	796485	(HP6018)	2	Stainless Steel Support Bracket	\$151.98 E

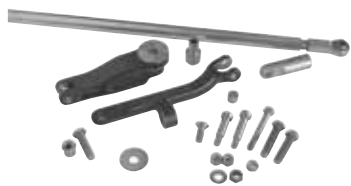
SeaStar Outboard Cylinder Grounding Strap



- The grounding strap kit is designed to provide added protection against corrosion caused by stray current.
- This is designed for use on SeaStar and BayStar front mounting outboard cylinders.

Order No.	Mfg. No. / Description	Price
799850	(HA5477)	\$17.98 E

SeaStar Tie Bar Kits - Complete



- No adapters are required.

Order No.	Mfg. No. / Description	Price
802363	(HO-6001) Single Cylinder	\$456.98 E
802378	(HO-6003) Single Cylinder	\$461.98 E
802384	(HO-6002) Dual Cylinder	\$482.98 E

SeaStar Tie Bar Adapter Kit



- Only for OEM Tie Bars.
- Adapter plates only.
- For use with OEM tie bar from the engine manufacturer.

Order No.	Mfg. No. / Description	Price
802290	(HO-5036A) Yamaha	\$255.98 E

SeaStar Front Mount Cylinder Seal Kits



- Use with: HC5340, HC5341, HC5342, HC5343, HC5344, HC5345, HC5346, HC5347, HC5348, HC5358, HC5365, HC5375, HC5394, HC5445, HC6750, HC6751, HC6752, HC6753, HC6754 and HC6755.

Order No.	Mfg. No. / Description	Price
801464	(HS-5157) Includes Pin Wrench	\$135.98 E
801490	(HS-5167) Does Not Include Pin Wrench	\$113.98 E
801452	(HS-5152) Seal Kit for HC-5340 (Old) Cylinder	\$62.98 E

SeaStar Hardware Kit with Slide Plate



- For front mount slide cylinder.

Order No.	Mfg. No. / Description	Price
801286	(HP6031)	\$257.98 E

SeaStar Hydraulic Steering Cylinder Spacer Kit



- Spacer kit for: HC5345, HC5348 and HC5358.
- For low HP outboard engines.

Order No.	Mfg. No. / Description	Price
800575	(HO-5090)	\$27.98 E

SeaStar Cylinder Spacers



Order No.	Mfg. No. / Description	Price
801301	(HP6033) Mounting Hardware for O/B Pivot Plate Cylinder	\$46.98 E
801313	(HP6036) Space Kit for Outboard Front Mount Cylinder	\$30.98 E

SeaStar Tie Bar for Side Mount Cylinder



Order No.	Mfg. No. / Description	Price
802125	(HO-5009)	\$292.98 E

T & R Marine Tie Bar Kits - Complete



- Adjustable to 31" centers.
- Stainless steel makes this kit corrosion resistant.
- Yamaha: 115-225 HP, 1984 and newer, J/E: 50-235 HP, Mercury: 40-225 HP, Mariner: 40-225 HP and Suzuki: 150-150SS-200 HP, 1986 and newer.

Order No.	Mfg. No. / Description	Price
633289	(DEL-9805)	\$259.98 G

- Fun & Flotation
- Anchor & Dock
- Safety
- Electronics
- Trolling Motors
- Lighting
- Electrical
- Topside Acc.
- Cockpit & Deck
- Instruments
- Steering, Controls
- Perform.
- Fuel System
- Engine & Parts
- Engine Care
- Propellers
- Seating & Pedestals
- Tops & Covers
- Pumps
- Cleaning & Care
- Paint & Paint Acc.
- Hardware, Fasteners
- Trailer
- Misc.
- Comm.

SeaStar Hydraulic Tie Bar Valve



- Allows for the periodic required realignment of two outboard motors or rudders that are linked together with a hydraulic tie bar as opposed to a solid link or a mechanical tie bar.
- A standard helm and SeaStar hoses may be used on vessels not exceeding speeds of 55 mph.
- For vessels exceeding speeds of 55 mph a SeaStar Pro helm and Pro hoses must be used.

Order No.	Mfg. No. / Description	Price
802404	(HA-5471-2)	\$351.98 E

SeaStar Inboard ATM Cylinders - Aluminum



Order No.	Mfg. No. / Description	Price
800804	(HC5312-3) Body Diameter 1.25"	\$591.98 F
800816	(HC5313-3) Body Diameter 1.375"	\$612.98 F
800828	(HC5314-3) Body Diameter 1.50"	\$583.98 E

SeaStar Inboard TM Cylinders - Bronze



Order No.	Mfg. No. / Description	Price
800866	(HC5318) Body Diameter 1.50"	\$849.98 E
800878	(HC-5319) Body Diameter 1.75"	\$986.98 E

SeaStar Power Assist - 12 volt



- SeaStar Power Assist steering dramatically reduces steering effort in heavy or high torque applications.
- Power assisted steering delivers exceptional performance and unparalleled levels of comfort, even in the most extreme conditions.
- Suitable for most boat types, the SeaStar Power Assist uses an electronically controlled hydraulic pump to provide on-demand power steering.
- Can be used on boats with multiple engines and rudders, multiple steering stations and autopilots.
- Includes 15' harness.

SEASTAR POWER ASSIST

Order No.	Mfg. No. / Description	Price
797906	(PA1200-2)	\$1,900.98 E

SEASTAR POWER ASSIST PRO

- Specifically designed for high torque single engine outboard applications fitted with SeaStar Pro helms, such as performance bass boats.

Order No.	Mfg. No. / Description	Price
797912	(PA1315-2)	\$1,908.98 E

SeaStar Sterndrive Cylinders



- These cylinders attach directly to the sterndrive unit.
- Aluminum construction, stainless steel shaft with 7" travel.

FOR NON POWER ASSIST ENGINES - BODY DIAMETER 1.375"

Order No.	Mfg. No. / Description	Price
800731	(HC-5332-3) Merc Alpha I, Bravo I, II, III, 1984 to Date	\$609.98 E

FOR POWER ASSIST ENGINES - BODY DIAMETER 1.25"

Order No.	Mfg. No. / Description	Price
800744	(HC-5328-3) BMW, Mercruiser, OMC, Volvo (Gas Models)	\$511.98 E

SeaStar Cylinder Seal Repair Kits



Order No.	Mfg. No. / Description	Price
801411	(HS-5154) For Aluminum Cylinders with Body Dia. 1.25"	\$42.98 E
801426	(HS-5155) For Aluminum Cylinders with Body Dia. 1.375"	\$42.98 E
801433	(HS-5156) For Aluminum Cylinders with Body Dia. 1.50"	\$42.98 E
803230	(HS-5182) For Bronze Cylinders with Body Diameter 1.50"	\$49.98 E
803242	(HS-5183) For Bronze Cylinders with Body Diameter 1.75"	\$53.98 E
803255	(HS-5184) For Bronze Cylinders with Body Diameter 2.00"	\$54.98 E

Uflex Power Steering System



- Just like in your car, the MasterDrive 12 volt power assist steering system delivers effortless steering with fingertip control regardless of speed or torque conditions.
- It completely eliminates torque at the steering wheel, while providing the safety of functional manual hydraulic steering in the event of a loss of power.
- Patented features include 3 selectable levels of power to give the desired feeling at the wheel.
- The ignition protected, high-efficiency, low amp draw motor automatically reverts to manual mode in case of power loss and is equipped with an on/off safety switch.
- Fully compatible with autopilot and dual station steering installations.
- Includes: Helm, power unit with 15' wiring harness, and user interface.
- Note: Tie bars (A90 or A94) for dual engine installations, Kit-OBSVSxx hydraulic hoses (helm to cylinder) or (helm to power unit), & Kit-OB-DBR-SVSxx hose kit (for dual cylinder installations) must be ordered separately.

Order No.	Mfg. No. / Description	Price
8031190	(MD32T)	\$2,730.98 E

- Fun & Flotation
- Anchor & Dock
- Safety
- Electronics
- Trolling Motors
- Lighting
- Electrical
- Topside Acc.
- Cockpit & Deck
- Instruments
- Steering, Controls
- Perform.
- Fuel System
- Engine & Parts
- Engine Care
- Propellers
- Seating & Pedestals
- Tops & Covers
- Pumps
- Cleaning & Care
- Paint & Paint Acc.
- Hardware, Fasteners
- Trailering
- Misc.
- Comm.

- Fun & Flotation
- Anchor & Dock
- Safety
- Electronics
- Trolling Motors
- Lighting
- Electrical
- Topside Acc.
- Cockpit & Deck
- Instruments
- Steering, Controls**
- Perform.
- Fuel System
- Engine & Parts
- Engine Care
- Propellers
- Seating & Pedestals
- Tops & Covers
- Pumps
- Cleaning & Care
- Paint & Paint Acc.
- Hardware, Fasteners
- Trailer
- Misc.
- Comm.

Uflex Hydraulic Steering Package



- Hytech steering system is an easy and affordable outboard hydraulic steering solution for boats with up to 150 horsepower. The kit features the unique split tilt tube rod that allows for installation of the cylinder without removing the engine. Coupled with the composite UP20 helm, the Hytech offers effortless steering with 5 turns lock-to-lock. Applicable to almost all 2 and 4 stroke outboard engines.
- Includes: the UP20 helm, UC94 cylinder, two quarts of OIL 15 and 40' of cut to length tubing.
- WARNING: Depending on the applications, the UC94-OBF is available in 2 versions:
UC94-OBF/1 and UC94-OBF/3.
UC94-OBF/1 cylinder is not suitable for Honda BF115 and BF130 engines and Mercury Optimax 75, 90, 115.
- For these engines UC94-OBF/3 is available.

Order No. Mfg. No. / Description Price
2006825 (HYTECH 1.0) **\$755.98** E

Uflex Protech Front Mount Outboard Hydraulic Steering Packages



- Delivers unmatched performance and durability.
- Kit includes: UP28FM Helm, UC128 cylinder and 2 quarts of oil. Kit OB hoses are optional.
- Recommended for:
Single Engine/Single Cylinder - Up to 300 HP.
Twin Engine/Single Cylinder - Up to 300 HP – non counter rotating engines, Up to 500 HP – counter rotating engines.
Twin Engine/Dual Cylinder - Up to 500 HP – non counter rotating engines, Up to 600 HP – counter rotating engines.
- Please see cylinder application guide on the **Page 480**.

Order No. Mfg. No. / Description Price
8033000 (PROTECH 1.0) Includes: UC128-OBF/1 Cylinder **\$1,034.98** E
8033005 (PROTECH 2.0) Includes: UC128-OBF/2 Cylinder **\$1,034.98** E

Uflex SilverSteer Tilt Hydraulic Steering Packages



- Designed for high performance applications with extreme rudder torque loads, the SilverSteer is the perfect solution.
- Bass boats, flats boats, tournament fishing boats will steer effortlessly with the UP25T-SVS-X70 helm and UC128SVS cylinder.
- Kit includes: UP25T-SVS-X70 helm, UC128SVS cylinder and 2 quarts of oil. The Kit OB-SVS hoses are optional and required for the SilverSteer system.
- Recommended for:
Single Engine/Single Cylinder - Up to 350 HP.
Twin Engine/Single Cylinder - Up to 350 HP – non counter rotating engines, Up to 600 HP – counter rotating engines.
Twin Engine/Dual Cylinder - Up to 600 HP – non counter rotating engines, Up to 700 HP – counter rotating engines.
- Please see cylinder application guide on the **Page 481**.

Order No. Mfg. No. / Description Price
2007110 (SILVERSTE1TB) Includes: UC128-SVS 1 Cylinder **\$1,343.98** E
2007120 (SILVERSTER2T) Includes: UC128-SVS 2 Cylinder **\$1,343.98** E

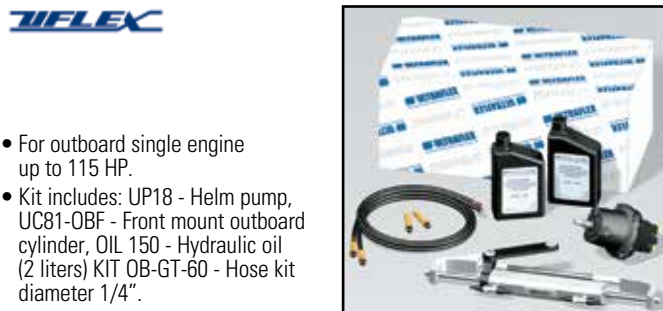
Uflex SilverSteer Hydraulic Steering Packages



- Designed for high performance applications with extreme rudder torque loads, the SilverSteer is the perfect solution.
- Bass boats, flats boats, tournament fishing boats will steer effortlessly with the UP25F-SVS helm and UC128SVS cylinder.
- Kit includes: UP25F-SVS helm, UC128SVS cylinder and 2 quarts of oil. The Kit OB-SVS hoses are optional and required for the SilverSteer system.
- Recommended for:
Single Engine/Single Cylinder - Up to 350 HP.
Twin Engine/Single Cylinder - Up to 350 HP – non counter rotating engines, Up to 600 HP – counter rotating engines.
Twin Engine/Dual Cylinder - Up to 600 HP – non counter rotating engines, Up to 700 HP – counter rotating engines.
- Please see cylinder application guide on the **Page 481**.

Order No. Mfg. No. / Description Price
2007105 (SILVERSTEER1) Includes: UC128-SVS 1 Cylinder **\$1,110.98** E
2007115 (SILVERSTEER2) Includes: UC128-SVS 2 Cylinder **\$1,110.98** E

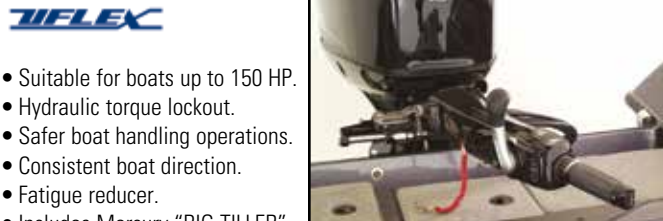
Uflex Gotech Hydraulic Steering Package



- For outboard single engine up to 115 HP.
- Kit includes: UP18 - Helm pump, UC81-OBF - Front mount outboard cylinder, OIL 150 - Hydraulic oil (2 liters) KIT OB-GT-60 - Hose kit diameter 1/4"

Order No. Mfg. No. / Description Price
2006820 (GOTECH1.0) **\$684.98** E

Uflex Zero Torque Tiller Steering System



- Suitable for boats up to 150 HP.
- Hydraulic torque lockout.
- Safer boat handling operations.
- Consistent boat direction.
- Fatigue reducer.
- Includes Mercury "BIG TILLER".
- Tiller handle with hydraulic valve and cylinder.

Order No. Mfg. No. / Description Price
804454 (ZTFILLER) **\$2,844.98** E

Uflex Front Mount Steering Helms



- Corrosion proof composite housing.
- Easy accessible shaft seal for replacement.
- Includes 90° adjustable fittings for 3/8" tube.
- For use with UC94-OBF cylinder only.
- A direct "drop in" replacement. Compatible with competing cylinders, hoses, fittings and oil.
- **2007210** - Uses 5/8"-11 nut.

1,000 PSI RELIEF VALVE

Order No.	Mfg. No. / Description	Price
2007210	(UP20FM) 1.2 cu. in. 3/4" Tapered Anodized Alum. Shaft	\$427.98 F
2007220	(UP25FM) 1.5 cu. in. 3/4" Tapered Stainless Steel Shaft	\$534.98 F
8033355	(UP28FM) 1.7 cu. in. 3/4" Tapered Stainless Steel Shaft	\$555.98 F
8033365	(UP33FM) 2.0 cu. in. 3/4" Tapered Stainless Steel Shaft	\$577.98 F

1,500 PSI RELIEF VALVE

Order No.	Mfg. No. / Description	Price
2007222	(UP25F-SVS) 1.5 cu. in. 3/4" Tapered Stainless Steel Shaft	\$662.98 Q

Uflex Front Mount Outboard Cylinder



- Intended for single engine applications of 150 HP and under, the UC94 cylinder is compatible with competing helms, hoses and oil, and is built to last with heavy duty stainless steel cylinder rod, seals and link assemblies.
- Constructed of top grade materials this cylinder is simple to install and fits almost every two and four stroke outboard engine in the market.
- The UC94 is recommended for use with the UP20 series helm and pre-made hose kits (Kit OB and Kit OB-BHBR).

Order No.	Mfg. No. / Description	Price
8033350	(UC940BF-1) Starboard Side Link Arm	\$459.98 F

Uflex Outboard/Sterndrive Side Mount Cylinder



- UC132-OBS side mount cylinder features a turning nut for fast and easy installation to the engine tube (PATENTED).

Order No.	Mfg. No. / Description	Price
8033335	(UC132-OBS)	\$387.98 E

Uflex High Performance Hose Kits



- Two high pressure flexible hoses with pre-crimped nickel plated brass fittings and bend restrictors on both ends.
- Recommended for use with all Uflex SilverSteer and MasterDrive helms with 1500 psi relief valves.

Order No.	Mfg. No. / Description	Price
8031005	(KITOBSVS-14') Length 14'	\$178.98 F
8031010	(KITOBSVS-16') Length 16'	\$178.98 F
8031015	(KITOBSVS-18') Length 18'	\$178.98 F
8031020	(KITOBSVS-20') Length 20'	\$178.98 F

Uflex Front Mount Steering Helms with Tilt



- Ball bearing piston race.
- Built-in lock valve for positive rudder lock.
- Integral relief valve for over-pressure protection.
- 3/4" tapered stainless steel shaft.
- Easily accessible lock valve and shaft seal for replacement.
- Cast iron rotor for greater durability and longer life.
- Includes 90° adjustable fittings for 3/8" tube.
- Tilt range of 48° and five locking positions.
- NOTE: X52 tilt mechanism fits standard Ultraflex tilt mount rotary and rack and pinion steering helms as well as standard Ultraflex tilt mount hydraulic pumps except SilverSteer and MasterDrive steering systems.

Order No.	Mfg. No. / Description	Price
8033360	(UP28T-X52) 1.7 cubic inch	\$780.98 F
8033370	(UP33T-X52) 2.0 cubic inch	\$834.98 E

Uflex Tilt for MasterDrive



- Tilt mechanism for Mercury Verado and Uflex MasterDrive.
- Tilt range of 48° and five locking positions.

Order No.	Mfg. No. / Description	Price
8020183	(X66)	\$165.98 E

Uflex Inboard Cylinders



- Aluminum.
- All balanced cylinders: the number of turns lock-to-lock is equal port to starboard and vice-versa.

Order No.	Mfg. No. / Description	Price
8033100	(UC116-I) Inside Dia.: 1.25", Stroke: 7"	\$446.98 F
8033340	(UC168-I) Inside Dia.: 1.57", Stroke: 7"	\$559.98 E
8033345	(UC215-I) Inside Dia.: 1.57", Stroke: 9"	\$598.98 F

Uflex A94 Tie Bar



- Heavy duty twin engine/single cylinder tie bar kit for use with UC128 outboard cylinders.
- Suitable for use with Protech cylinders these 304 electropolished and passivated stainless steel tie bars are simple to install and allow for independent trimming of engines with minimal effect on engine alignment.
- Not recommended for applications exceeding 500 HP.

Order No.	Mfg. No. / Description	Price
2006640	(A94) Single Cylinder/Twin Engine/Cut to Length	\$444.98 F

Uflex A90 Tie Bars



- Heavy duty twin engine/twin cylinder tie bar kit for use with UC128 and UC128P "Port" version outboard cylinders.
- Suitable for use with Protech and SilverSteer cylinders these 304 electropolished and passivated stainless steel tie bars are simple to install and allow for independent trimming of engines with minimal effect on engine alignment.

Order No.	Mfg. No. / Description	Price
2006638	(A90X26) Twin Cylinder/Twin Engine, 26" Engine Center	\$474.98 F
2006639	(A90X28) Twin Cylinder/Twin Engine, 28" Engine Center	\$474.98 F

- Fun & Flotation
- Anchor & Dock
- Safety
- Electronics
- Trolling Motors
- Lighting
- Electrical
- Topside Acc.
- Cockpit & Deck
- Instruments
- Steering, Controls
- Perform.
- Fuel System
- Engine & Parts
- Engine Care
- Propellers
- Seating & Pedestals
- Tops & Covers
- Pumps
- Cleaning & Care
- Paint & Paint Acc.
- Hardware, Fasteners
- Trailering
- Misc.
- Comm.

Uflex Front Mount Outboard Cylinders

UFLEX



Order No.	Mfg. No. / Description	Price
2007190	(UC128OBF-1) Starboard Side Link Arm	\$641.98 F
8033305	(UC128OBF-2) Starboard Side Link Arm	\$641.98 F
8033300	(UC128OBF-1P) Port Side Link Arm	\$641.98 F
8033310	(UC128OBF-2P) Port Side Link Arm	\$641.98 F

- Compatible with competing helms, hoses and oil, the UC128 cylinder is built to last with heavy duty stainless steel cylinder rod, seals and link assemblies.
- Constructed of top grade materials this cylinder is simple to install and fits almost every two and four stroke outboard engine in the market.
- See the application guide below to choose the appropriate cylinder (UC128 OBF 1 or UC128 OBF 2) for your application.
- Recommended for:
 Single Engine/Single Cylinder - Up to 300 HP.
 Twin Engine/Single Cylinder - Up to 300 HP – non counter rotating engines, Up to 500 HP – counter rotating engines.
 Twin Engine/Dual Cylinder - Up to 500 HP – non counter rotating engines, Up to 600 HP – counter rotating engines.

Uflex UC128-OBF Front Mount Cylinder Application

Fun & Flotation

Anchor & Dock

Safety

Electronics

Trolling Motors

Lighting

Electrical

Topside Acc.

Cockpit & Deck

Instruments

Steering, Controls

Perform.

Fuel System

Engine & Parts

Engine Care

Propellers

Seating & Pedestals

Tops & Covers

Pumps

Cleaning & Care

Paint & Paint Acc.

Hardware, Fasteners

Trailer

Misc.

Comm.

Engine	Model	Year	Cylinder	P. No.	Packaged	
Mercury Mariner	75-90-115-125 Optimax 2 Stroke	2004 to date	UC128-OBF/3	39967 T	PROTECH 3	
	135-150-175 Optimax 2 Stroke	1999 to date	UC128-OBF/1	39423 Z	PROTECH 1	
	200-225-250 Optimax 2 Stroke	1999 to date	UC128-OBF/1	39423 Z	PROTECH 1	
	RACING 300 Optimax 2 Stroke	1999-2011	UC128-OBF/1	39423 Z	PROTECH 1	
	100-115 EFI 4 Stroke	2007 to date	UC128-OBF/1	39423 Z	PROTECH 1	
	115-125-150 EFI 2 Stroke	1990-2007	UC128-OBF/1	39423 Z	PROTECH 1	
	225-250 EFI 2 Stroke	2000-2007	UC128-OBF/1	39423 Z	PROTECH 1	
	250 Saltwater EFI 4 Stroke	2007-2011	UC128-OBF/1	39423 Z	PROTECH 1	
	135 Verado L4 4 Stroke	2004-2006	UC128-OBF/1	39423 Z	PROTECH 1	
	150-175-200 Verado L4 4 Stroke	2004 to date	UC128-OBF/1	39423 Z	PROTECH 1	
Evinrude	E75-E90 2 Stroke	2004 to date	UC128-OBF/2	39966 R	PROTECH 2	
	E115-E130-E135 2 Stroke V4	1995 to date	UC128-OBF/2	39966 R	PROTECH 2	
	E150-E175-E200 2 Stroke V6	1995 to date	UC128-OBF/2	39966 R	PROTECH 2	
	E200 HO- E225-E250 2 Stroke V6	1995 to date	UC128-OBF/2	39966 R	PROTECH 2	
	E250 HO- E300 2 Stroke V6		UC128-OBF/2	39966 R	PROTECH 2	
	Yamaha	75C-90 2 Stroke	1998-2008	UC128-OBF/2	39966 R	PROTECH 2
		115C-130B 2 Stroke	1990-2008	UC128-OBF/2	39966 R	PROTECH 2
150F-200F-250G 2 Stroke		1996-2007	UC128-OBF/2	39966 R	PROTECH 2	
150 HPDI VMAX 2 Stroke		2000-2008	UC128-OBF/2	39966 R	PROTECH 2	
175-200-225-250-300 HPDI VMAX 2 St.		2000-2008	UC128-OBF/2	39966 R	PROTECH 2	
F70 4 Stroke		2010 to date	UC128P-OBF/1	40106U		
F90-F100-F115-F150 EFI 4 Stroke		1999-2007	UC128-OBF/1	39423 Z	PROTECH 1	
F200-F225-F250 4 Stroke		2002-2007	UC128-OBF/2	39966 R	PROTECH 2	
F115-F150		2004 to date	UC128-OBF/1	39423 Z	PROTECH 1	
F200-F225-F250-F300 4 Stroke		2006 to date	UC128-OBF/2	39966 R	PROTECH 1	
F350 4 Stroke	2008 to date	See UC128-SVS SilverSteer				
Honda	BF75-90 4 Stroke	1995 to date	UC128-OBF/1	39423 Z	PROTECH 1	
	BF115D	1998-2009	UC128-OBF/3	39967 T	PROTECH 3	
	BF115A	2009 to date	UC128-OBF/1	39423 Z	PROTECH 1	
	BF130A	1998-2005	UC128-OBF/3	39967 T	PROTECH 3	
	BF135-150 4 Stroke	2005 to date	UC128-OBF/1	39423 Z	PROTECH 1	
	BF90-BF150 V-TEC 4 Stroke	2008 to date	UC128-OBF/1	39423 Z	PROTECH 1	
Suzuki	BF175-200-225 4 Stroke	2001 to date	UC128-OBF/1	39423 Z	PROTECH 1	
	DF70-80-90 4 Stroke	1998 to date	UC128-OBF/2	39966 R	PROTECH 2	
	DF100-115-140 4 Stroke	1998-2008	UC128-OBF/1	39423 Z	PROTECH 1	
	DF100-115-140 4 Stroke new model	2008 to date	UC128-OBF/1	39423 Z	PROTECH 1	
	DF150-175 4 Stroke	2006 to date	UC128-OBF/1	39423 Z	PROTECH 1	
DF200-DF225-DF250-DF300		UC128-OBF/2	39966 R	PROTECH 2		
Tohatsu	115-120-140 2 Stroke	2004 to date	UC128-OBF/2	39966 R	PROTECH 2	
	70-90-115 TLDI 4 Stroke	2004 to date	UC128-OBF/1	39423 Z	PROTECH 1	
Selva	80 Portofino/Tigershark 2 Stroke	1995 to date	UC128-OBF/1	39423 Z	PROTECH 1	
	150 White Shark 2 Stroke					
	100EFI Marlin -115 EFI Narwhal-	2001-2007	UC128-OBF/2	39966 R	PROTECH 2	
Johnson	150EFI Killer Whale 4 Stroke	2000 to date	UC128-OBF/1	39423 Z	PROTECH 1	
	BJ90-115-140 4 Stroke	2001-2007	UC128-OBF/1	39423 Z	PROTECH 1	
	J90-115 V4 2 Stroke	1995-2007	UC128-OBF/2	39966 R	PROTECH 2	
	J150-175 V6 2 Stroke	1995-2007	UC128-OBF/2	39966 R	PROTECH 2	
	J200-225 V6 4 Stroke	2004-2007	UC128-OBF/2	39966 R	PROTECH 2	

- WARNING: These recommendations should be used as a general reference only. Final selection should be made with the assistance of a qualified installation technician.
- For higher horsepower applications, high performance SilverSteer cylinder is recommended.

Uflex High Performance Front Mount Outboard Cylinders



- Specially designed for high performance, high torque applications the Silver Steer UC128 SVS cylinder is recommended for bass boats, flats boats and tournament fishing boat. Compatible with competing helms, hoses and oil, the UC128 SVS is built to last with heavy duty stainless steel cylinder rod, seals and link assemblies. Constructed of top grade materials this cylinder is simple to install and fits almost every two and four stroke outboard engine in the market.
- See the application guide below to choose the appropriate cylinder (UC128 OBF 1 or UC128 OBF 2) for your application.
- Recommended for:
 Single Engine/Single Cylinder - Up to 350 HP.
 Twin Engine/Single Cylinder - Up to 350 HP – non counter rotating engines, Up to 600 HP – counter rotating engines.
 Twin Engine/Dual Cylinder - Up to 600 HP – non counter rotating engines, Up to 700 HP – counter rotating engines.



Order No.	Mfg. No. / Description	Price
8033315	(UC128-SVS 1) Starboard Side Link Arm	\$863.98 G
8033325	(UC128-SVS 2) Starboard Side Link Arm	\$863.98 G
8033320	(UC128-SVS 1P) Port Side Link Arm	\$863.98 G
8033330	(UC128-SVS 2P) Port Side Link Arm	\$863.98 G

Uflex UC128-SVS Front Mount Cylinder Application

Engine	Model	Year	Cylinder	P. No.	Packaged
Mercury Mariner	115-125-150 EFI 2 Stroke	1990-2007	UC128/1-SVS	41281 U	SilverSteer 1
	225-250 EFI 2 Stroke	2000-2007	UC128/1-SVS	41281 U	SilverSteer 1
	135-150-175 Optimax	1999 to date	UC128/1-SVS	41281 U	SilverSteer 1
	200-225-250 Optimax	1999 to date	UC128/1-SVS	41281 U	SilverSteer 1
	RACING 300 Optimax	1999-2011	UC128/1-SVS	41281 U	SilverSteer 1
	250 Saltwater EFI 4 Stroke	2007-2011	UC128/1-SVS	41281 U	SilverSteer 1
	135 Verado L4 4 Stroke	2004-2006	UC128/1-SVS	41281 U	SilverSteer 1
	150-175-200 Verado L4 4 Stroke	2004 to date	UC128/1-SVS	41281 U	SilverSteer 1
	Evinrude	E115-E130-E135 2 Stroke V4	1995 to date	UC128/2-SVS	41282 W
E150-E175-E200 2 Stroke V6		1995 to date	UC128/2-SVS	41282 W	SilverSteer 2
E200 HO- E225-E250 2 Stroke V6		1995 to date	UC128/2-SVS	41282 W	SilverSteer 2
E250 HO- E300 2 Stroke V6			UC128/2-SVS	41282 W	SilverSteer 2
Yamaha	115C-130B 2 Stroke	1998-2008	UC128/2-SVS	41282 W	SilverSteer 2
	150F-200F-250G 2 Stroke	1996-2007	UC128/2-SVS	41282 W	SilverSteer 2
	150 HPDI VMAX 2 Stroke	2000-2008	UC128/2-SVS	41282 W	SilverSteer 2
	175-200-225-250-300 HPDI VMAX 2 St.	2000-2008	UC128/2-SVS	41282 W	SilverSteer 2
	F115-F150 EFI 4 Stroke	1999-2007	UC128/1-SVS	41281 U	SilverSteer 1
	F200-F225-F250 4 Stroke	2002-2007	UC128/2-SVS	41282 W	SilverSteer 2
	F115-F150	2004 to date	UC128/1-SVS	41281 U	SilverSteer 1
	F200-F225-F250-F300-F350 4 Stroke	2006 to date	UC128/1-SVS	41281 U	SilverSteer 1
	Honda	BF135-150 4 Stroke	2005 to date	UC128/1-SVS	41281 U
BF90-BF150 V-TEC 4 Stroke		2008 to date	UC128/1-SVS	41281 U	SilverSteer 1
BF175-BF200-BF225 4 Stroke		2001 to date	UC128/1-SVS	41281 U	SilverSteer 1
Suzuki	DF100-115-140 4 Stroke	1998-2008	UC128/1-SVS	41281 U	SilverSteer 1
	DF100-115-140 4 Stroke	2008 to date	UC128/1-SVS	41281 U	SilverSteer 1
	DF150-175 4 Stroke	2006 to date	UC128/1-SVS	41281 U	SilverSteer 1
	DF200-DF225-DF250-DF300		UC128/2-SVS	41282 W	SilverSteer 2
Tohatsu	115-120-140 2 Stroke	2004 to date	UC128/2-SVS	41282 W	SilverSteer 2
	70-90-115 TLDI 4 Stroke	2004 to date	UC128/1-SVS	41281 U	SilverSteer 1
Selva	80 Portofino/Tigershark 2 Stroke	1995-2008	UC128/2-SVS	41282 W	SilverSteer 2
	150 White Shark 2 Stroke	2001-2007	UC128/1-SVS	41281 U	SilverSteer 1
	100EFI Marlin -115 EFI Narwhal-	2000 to date	UC128/2-SVS	41282 W	SilverSteer 2
	150EFI Killer Whale 4 Stroke				
Johnson	BJ90-115-140 4 Stroke	2001-2007	UC128/1-SVS	41281 U	SilverSteer 1
	J90-115 V4 2 Stroke	1995-2007	UC128/2-SVS	41282 W	SilverSteer 2
	J150-175 V6 2 Stroke	1995-2007	UC128/2-SVS	41282 W	SilverSteer 2
	J200-225 V6 4 Stroke	2004-2007	UC128/2-SVS	41282 W	SilverSteer 2

• **WARNING:** These recommendations should be used as a general reference only. Final selection should be made with the assistance of a qualified installation technician.

- Fun & Flotation
- Anchor & Dock
- Safety
- Electronics
- Trolling Motors
- Lighting
- Electrical
- Topside Acc.
- Cockpit & Deck
- Instruments
- Steering, Controls**
- Perform.
- Fuel System
- Engine & Parts
- Engine Care
- Propellers
- Seating & Pedestals
- Tops & Covers
- Pumps
- Cleaning & Care
- Paint & Paint Acc.
- Hardware, Fasteners
- Trailering
- Misc.
- Comm.

Fun & Flotation

Anchor & Dock

Safety

Electronics

Trolling Motors

Lighting

Electrical

Topside Acc.

Cockpit & Deck

Instruments

Steering, Controls

Perform.

Fuel System

Engine & Parts

Engine Care

Propellers

Seating & Pedestals

Tops & Covers

Pumps

Cleaning & Care

Paint & Paint Acc.

Hardware, Fasteners

Trailer

Misc.

Comm.

SeaStar Pro Hose Kits



- Kevlar Reinforced, pre-cut kits with factory installed brass fittings.
- High burst strength flexible hose designed for splashwell and transom bracket environments.
- Determine length by measuring along the intended path round up to next even foot and add 2 feet.
- 1,500 psi.

Order No.	Mfg. No. / Description	Price
800246	(HO-5714) Length 14'	\$223.98 E
800261	(HO-5716) Length 16'	\$242.98 E
800284	(HO-5718) Length 18'	\$264.98 E
800297	(HO-5720) Length 20'	\$283.98 E

SeaStar Hydraulic Hose Kits



801678

- Pre-cut kits supplied with factory installed brass fittings.
- Special high burst strength flexible hose designed for splashwell and transom bracket environments.
- Determine length by measuring along the intended path to the center of engine, round up to next even foot and add 2 feet.
- 1,000 psi.
- Sold per pair only.

Order No.	Mfg. No. / Description	Price	Order No.	Mfg. No. / Description	Price
800400	(HO-5102) 2'	\$127.98 E	800493	(HO-5118) 18'	\$139.98 E
800412	(HO-5103) 3'	\$127.98 E	800506	(HO-5120) 20'	\$151.98 E
800422	(HO-5104) 4'	\$127.98 E	800519	(HO-5122) 22'	\$169.98 E
800435	(HO-5106) 6'	\$127.98 E	800522	(HO-5124) 24'	\$178.98 E
800448	(HO-5108) 8'	\$127.98 E	800535	(HO-5126) 26'	\$228.98 E
800451	(HO-5110) 10'	\$127.98 E	800549	(HO-5130) 30'	\$254.98 E
800464	(HO-5112) 12'	\$127.98 E	801678	(HF-5527) 3/8" Union Coupling Fitting, 3 ea.	\$15.98 E
800477	(HO-5114) 14'	\$117.98 E			
800480	(HO-5116) 16'	\$129.98 E			

Uflex Bulkhead Hydraulic Hose Kits



- Save time and money by using KITOBHBR hoses to connect the helm and cylinder without a remote bulkhead fitting.
- The inline bulkhead bend restrictors provide a water resistant through hull passage of the hoses directly from the helm to the cylinder.
- These hoses are recommended for use with all Uflex helms and cylinders as well as other competing systems.
- These are rated to 1,500 psi working pressure, but not recommended for racing.
- Complete with fittings these hose kits mount through a splash well bulkhead.
- For bass boats, offshore fishing or runabouts.
- Sold per pair.

Order No.	Mfg. No. / Description	Price
804444	(KITOBHBR-16) Length 16'	\$201.98 F
804446	(KITOBHBR-18) Length 18'	\$201.98 F
804448	(KITOBHBR-20) Length 20'	\$201.98 F
804450	(KITOBHBR-22) Length 22'	\$260.98 F
804452	(KITOBHBR-24) Length 24'	\$275.98 F

MP Parts Hydraulic Hose Kits



- Pre-cut with brass fittings (installed).
- High burst flexible hose designed for splashwell/transom conditions.
- MP Parts Hydraulic Hose Kits exclusively manufactured by Parker Hannifin and Uflex.
- Sold by pair.

Order No.	Description	Price
804404	Length 10'	\$134.98 LQ
804406	Length 12'	\$139.98 LQ

Uflex Hydraulic Hose Kits



- Two high pressure flexible hoses with pre-crimped brass fittings, bulkhead fittings and bend restrictors.
- Restrictors on both ends for 5' and under.
- Recommended for helms with 1,500 psi relief valves or less.

Order No.	Mfg. No. / Description	Price	Order No.	Mfg. No. / Description	Price
8033375	(KITOBDBR-02') 2'	\$128.98 F	8033415	(KITOB-16') 16'	\$127.98 F
8033380	(KITOBDBR-03') 3'	\$128.98 F	8033420	(KITOB-18') 18'	\$127.98 F
8033385	(KITOBDBR-04') 4'	\$128.98 F	8033425	(KITOB-20') 20'	\$127.98 F
8033390	(KITOB-06') 6'	\$127.98 F	8033430	(KITOB-22') 22'	\$172.98 F
8033395	(KITOB-08') 8'	\$127.98 F	8033435	(KITOB-24') 24'	\$176.98 F
8033400	(KITOB-10') 10'	\$127.98 F	8033440	(KITOB-26') 26'	\$187.98 F
8033405	(KITOB-12') 12'	\$127.98 F	8033445	(KITOB-30') 30'	\$209.98 F
8033410	(KITOB-14') 14'	\$127.98 F			

SeaStar Bulkhead Hose Kits



- Assures a tidy hydraulic steering installation on virtually any type of outboard.
- The integral bulkhead fitting allows neat routing of hoses through a splashwell bulkhead, helping to eliminate excess loose hose, kinking or chafing.
- They install faster than hoses used with conventional bulkhead fitting kits.
- These hoses can be used on Offshore fishing boats, Bass boats, and Runabouts.
- Determine length by measuring along the intended path to the center of engine, round up to next even foot and add 2 feet.

Order No.	Mfg. No. / Description	Price
800184	(HO-8116) Length 16' Hose with Bulkhead Fittings	\$212.98 E
800198	(HO-8118) Length 18' Hose with Bulkhead Fittings	\$222.98 E
800200	(HO-8120) Length 20' Hose with Bulkhead Fittings	\$237.98 E
800210	(HO-8122) Length 22' Hose with Bulkhead Fittings	\$250.98 E
800223	(HO-8124) Length 24' Hose with Bulkhead Fittings	\$262.98 E
800256	(HO-8130) Length 30' Hose with Bulkhead Fittings	\$298.98 E

SeaStar Double Stainless Steel Bulkhead Hose Kits



Order No.	Mfg. No. / Description	Price
800312	(HO-8816) Length 16' Hose with Bulkhead Fittings	\$229.98 E
800323	(HO-8818) Length 18' Hose with Bulkhead Fittings	\$228.98 E

T-H Marine Bulkhead Strain Relief



- Distributes strain from bends in hose.
- Water tight gripper fitting - no leaks.
- Great for hydraulic steering hose.
- Bulkhead fitting has flange for protection.
- Flange is 2-3/4" diameter and requires 1-1/4" installation hole.

Order No.	Mfg. No. / Description	Price
641341	(BSR-1K-DP)	\$17.98 H

SeaStar Nylon Tubing



- Flexible 3/8" nylon tubing is recommended for inboard, sterndrive and seadrive steering systems with SeaStar I helms only.
- The maximum recommended total tubing run is 100'.
- Not designed for use with outboard applications.
- Sold in full rolls only.

Order No.	Mfg. No. / Description	Price
801102	(HT5092) Length 25'	\$72.98 E
801115	(HT5095) Length 50'	\$105.98 E
801128	(HT5100) Length 100'	\$212.98 E

Marpro Premium Synthetic Hydraulic Fluid



- For use in all hydraulic steering systems.

Order No.	Description	Price
7-1087	Quart 12 Per Case	\$19.98 F
7-1086	Gallon 4 Per Case	\$66.98 F

SeaStar Hydraulic Fluid



799784



- Formulated to provide the best performance for your steering system.
- A perfect blend of viscosity stabilizers, anti-wear agents and corrosion inhibitors will ensure maximum steering life performance.

Order No.	Mfg. No. / Description	Price
799779	(HA5430) Quart	\$24.98 F
799760	(HA5440) Gallon	\$93.98 F
799784	(HA5438) Filler Kit	\$19.98 E

Fittings for Bulkhead Hose



Order No.	Description	Price
401961	5/16" Hydraulic Hose Fitting (Fits Hynautic)	\$8.98 F
401997	Reusable Fitting (Fits Hynautic)	\$13.98 F
401999	Reusable Fitting with O-ring (Fits SeaStar)	\$18.98 F

MP Parts Reinforced Nylon Tubing



- MP Parts Hydraulic Hose Kits exclusively manufactured by Parker Hannifin and Uflex.
- Sold in full rolls only.

Order No.	Description	Price
402002	5/16" x 50' Length	\$98.98 F
402014	5/16" x 100' Length	\$187.98 F

MP Parts Nylon Tubing



- For use with inboard, sterndrive or seadrive steering systems with SeaStar I helms only.
- Not recommended for tubing runs in excess of 100'.
- MP Parts Hydraulic Hose Kits exclusively manufactured by Parker Hannifin and Uflex.
- Sold in full rolls only.

Order No.	Description	Price
804460	3/8" x 25' Length	\$28.98 F
804462	3/8" x 50' Length	\$48.98 F
804464	3/8" x 100' Length	\$110.98 F

Uflex Hydraulic Fluid



- Hydraulic oil: ISO VG 15.

Order No.	Mfg. No. / Description	Price
2007030	(OIL 15) Quart	\$26.98 H

Uflex Remote Fill Adapter



- Through-dash remote fill kit.

Order No.	Mfg. No. / Description	Price
8030025	(KIT F)	\$45.98 E

- Fun & Flotation
- Anchor & Dock
- Safety
- Electronics
- Trolling Motors
- Lighting
- Electrical
- Topside Acc.
- Cockpit & Deck
- Instruments
- Steering, Controls**
- Perform.
- Fuel System
- Engine & Parts
- Engine Care
- Propellers
- Seating & Pedestals
- Tops & Covers
- Pumps
- Cleaning & Care
- Paint & Paint Acc.
- Hardware, Fasteners
- Trailering
- Misc.
- Comm.

Uflex BubbleBuster



- Motor pump with safety valve, switch and 1 gallon tank included, it allows the purging of 2 hydraulic steering systems before refilling.
- 12V electric motor with thermal protection; current absorption 8 amp.
- 13' electric harness with alligator clips for fast connection with the battery.
- Double spiralled hose to connect to helm pump-extended length: 19.6'.
- Double spiralled hose to connect to cylinder-extended length: 19.6'.
- Utility tray.

Order No.	Mfg. No. / Description	Price
8020709	(BUBBLEBUSTER)	\$1,133.98 E

SeaStar Fittings and Accessories



- Refer to SeaStar Solutions catalog for applications.

Order No.	Mfg. No. / Description	Price
801605	(HF-5520) BJ - Cylinder Horizontal Bleeder Tee, 2 ea.	\$68.98 E
801617	(HF-5521) EM - Cylinder Vertical Bleeder Tee, 2 ea.	\$64.98 E
797615	(HP6003) Stainless Steel Ball Joint, 1/2" x 3/8"	\$86.98 E
801270	(HP6013) Stainless Steel Ball Joint, 5/8" x 5/8"	\$121.98 E
801224	(HA-5432) Non-Vent Plug	\$12.98 E
801666	(HF-5526) 3/8" Nylon Tube Nut, 6 ea.	\$19.98 E
801680	(HF-5528) Str. Fitting, 1/4" NPT to 3/8" Nylon Tube, 3 ea.	\$19.98 E
801707	(HF-5529) Elbow, 1/4" NPT to 3/8" Nylon Tube, 3 ea.	\$30.98 E
795837	(736028) Bottom Washer (3 Hole)	\$6.98 LQ
795851	(742724) Hex Head Screw, 5/16" x 3/4"	\$1.98 LQ
801709	(HF6004) 90° Elbow Fitting Kit	\$33.98 E

TEE FITTINGS (3 EACH)

Order No.	Mfg. No. / Description	Price
801706	(HF-5530) 3/8" Nylon Tube	\$31.98 E
801717	(HF5531) 1/4" NPT to 3/8" Nylon Tube, 90°	\$36.98 E
801767	(HF5536) 1/4" NPT to 3/8" Nylon Tube, 180°	\$35.98 E

SeaStar Power Purge Jr.



- The easy way to 100% purge air out of BayStar and SeaStar hydraulic steering systems.
- Reduces installation and warranty costs while enhancing the quality of the boat to the end user.
- A typical manual fill and purge takes the average experienced installer or service technician about 30 minutes per boat - by using the Power Purge Jr. this can be reduced to 10 minutes or less.
- Advantages: Steering feel is solid every time. 100% portable. Powered by 12v battery. Fast and efficient set up. Quick connect fittings. Easy to operate. Filter screens helps keep contamination out of your steering system.
- Optional Dual Cylinder Purging Kit HA5461 available.

Order No.	Mfg. No. / Description	Price
797792	(HA5445-2)	\$999.98 E
797805	(HA5461) Dual Cylinder Purge Hose	\$257.98 E

SeaStar ORB Fittings



- These fittings are made of corrosion resistant stainless steel and now thread into the cylinders/helms via Positionable O-ring hose ports.
- Fittings can be easily orientated in any direction to accommodate tube routing.
- CAUTION: NOT for use in an NPT helm/cylinder hose fitting port.

Order No.	Mfg. No. / Description	Price
801780	(HF6001) Horizontal Hose Fitting, 2 Per Kit	\$50.98 E
801781	(HF6002) Horizontal Hose Fitting, 2 Per Kit	\$50.98 E
801783	(HF6006) Tee Fitting, 2 Per Kit	\$52.98 E
801786	(HF6009) Straight Fitting, 2 Per Kit	\$17.98 E
801788	(HF6011) 45° Fitting, 2 Per Kit	\$28.98 E
801789	(HF6012) -5 ORB (M) -1/4 NPT (F), 3 Per Kit	\$36.98 E

SeaStar ORB Fitting Kits



801784



801787

- These fittings are made of corrosion resistant stainless steel and now thread into the cylinders/helms via Positionable O-ring hose ports.
- Fittings can be easily orientated in any direction to accommodate tube routing.
- CAUTION: NOT for use in an NPT helm/cylinder hose fitting port.

Order No.	Mfg. No. / Description	Price
801784	(HF6007) Fitting Kit to Add a 2nd Station or Autopilot to an Outboard System	\$153.98 E
801787	(HF6010) Fitting Kit to Add a 2nd Station or Autopilot to an Inboard or Sterndrive System	\$70.98 E

Uflex Fitting Kit



- Fitting kit for a second steering station or for an autopilot installation.
- It includes all necessary fittings for 3/8" nylon or copper tube.

Order No.	Mfg. No. / Description	Price
8030020	(KIT95-2S)	\$62.98 E

SeaStar Bulkhead Fitting Kits



800979

- Use for outboard hose kits.
- Provides a watertight routing of hose kits through bulkheads and splashwells up to 3/4" thick.
- Sold 2 assemblies per kit.

Order No.	Mfg. No. / Description	Price
800969	(HF5512) 3/4" Bulkhead Fitting Kit Single Cylinder	\$78.98 E
800979	(HF5513) 3" Bulkhead Fitting Kit Single Cylinder	\$83.98 E
801010	(HF5515) 3" Bulkhead Fitting Kit Dual Cylinder	\$172.98 E

SeaStar Fitting Kits to Add a 2nd Station or Autopilot



800914

- Contains fittings for adding either a 2nd station or an autopilot to an existing SeaStar System.
- Can be used with outboard hose kit, nylon tubing or copper tubing installations.

Order No.	Mfg. No. / Description	Price
800901	(HF-5501) With 25' Tubing	\$136.98 E
800914	(HF-5502) Without Tubing	\$65.98 E

SeaStar Copper Tubing Kit



- 3/8" soft refrigeration copper tubing must be used with SeaStar I with runs over 100 ft. and SeaStar II inboard and sterndrive installation with runs over 50 ft.
- Cylinder hose kits are included.

Order No.	Mfg. No. / Description	Price
800956	(HF5508) For SeaStar II	\$102.98 E

SeaStar Stainless Steel Hex Bolt and Nut



Order No.	Mfg. No. / Description	Price
795558	(HP6007) 3/8" x 1-5/8", 3 of Each	\$42.98 E

Fun & Flotation

Anchor & Dock

Safety

Electronics

Trolling Motors

Lighting

Electrical

Topside Acc.

Cockpit & Deck

Instruments

Steering, Controls

Perform.

Fuel System

Engine & Parts

Engine Care

Propellers

Seating & Pedestals

Tops & Covers

Pumps

Cleaning & Care

Paint & Paint Acc.

Hardware, Fasteners

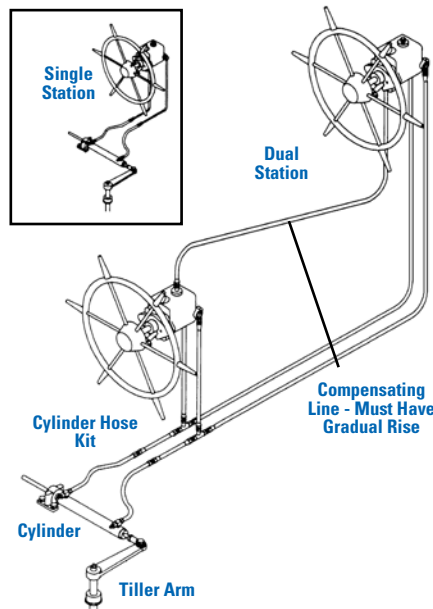
Trailering

Misc.

Comm.

SeaStar Capilano Variable Turns Hydraulic Steering System

- The helm pump features variable displacement enabling the helmsman to adjust the steering wheel turns to suit various maneuvering and weather conditions.
- Systems are not air-pressurized; no air leaks or pressure drops.
- Each helm is its own reservoir; separate reservoir not needed.
- For most inboard powered boats with single or twin engines from 30 to 55 feet in length.
- This application guide should be used with discretion.
- It is the final responsibility of the boat designer-builder to specify maximum expected steering loads.
- Meets ABS, Lloyd and Det Norske Veritas specifications.



SeaStar Capilano Helm Pumps



- A unique variable displacement feature allows the number of steering wheel turns to be adjusted by the helmsman within a predetermined range.
- Shaft is 3/4" standard taper with 5/8" NF threads.
- Protected by built-in 1,000 PSI pressure relief valves.

Order No.	Mfg. No. / Description	Price
802505	(HH5250) 1250V Helm Pump Displacement: 1.7 cu. in. - 3.4 cu. in.	\$1,284.98 E
802517	(HH-5275) 1275V Helm Pump Displacement: 2.7 cu. in. - 5.4 cu. in.	\$1,311.98 E

SeaStar Capilano Cylinders - Trunion Mount



- Heavy duty brass cylinders with bleed fittings; chrome-plated stainless steel rods.
- Stainless steel and bronze mounting hardware.
- Comes with stainless rod and bronze clevis.
- 7" standard travel, except 802644 (HC-5379) which has 11" standard travel.
- Single cylinder may be used for single rudder or dual rudder with tie bar.
- Balanced cylinders.

Order No.	Mfg. No. / Description	Price
802606	(HC-5355) BA150-7TMC 6,548 in. lbs. 1250V	\$928.98 E
802618	(HC-5356) BA175-7TMC 8,795 in. lbs. 1250V	\$1,049.98 E
802632	(HC-5357) BA200-7TMC 12,134 in. lbs. 1250V	\$1,087.98 E
802644	(HC-5379) BA200-11TMC 19,900 in. lbs. 1275V	\$1,217.98 E

SeaStar Clevis Connection



- 7/8" NF threads.

Order No.	Mfg. No. / Description	Price
795560	(HP6123)	\$184.98 E

SeaStar Capilano Cylinder Hose Kit



- This hose kit contains two (2) 18" hoses.
- For single cylinder applications.

Order No.	Mfg. No. / Description	Price
802808	(HA-5731)	\$73.98 E

SeaStar Fill and Vent Plug Kit



- This kit will facilitate filling and purging of the steering system at a more convenient and accessible area than the helm pump.
- A through dash fitting, complete with a waterproof vent plug, 18" long vinyl tube and elbow fittings are supplied with this kit.

Order No.	Mfg. No. / Description	Price
802997	(HA-5450)	\$61.98 E

SeaStar Fitting Kit for Capilano Steering



- Tubing fitting kit to install the SeaStar Capilano Inboard Steering System on your vessel.
- Kit to fit a hydraulic steering station.

Order No.	Mfg. No. / Description	Price
801779	(HF5592) 5/8"	\$61.98 E

SeaStar Seal Kits

HELM SEAL KIT FOR: HH5250 AND HH5275 HELM PUMPS

Order No.	Mfg. No. / Description	Price
803204	(HS-5161)	\$46.98 E

CYLINDER SEAL KIT FOR: HC-5378 AND HC-5379 CYLINDERS

Order No.	Mfg. No. / Description	Price
803266	(HS-5185)	\$54.98 E

SeaStar Steering Wheel Bushing



- Solid brass construction.
- Adapts 1" straight steering wheel hub to 3/4" tapere helm shaft.

Order No.	Mfg. No. / Description	Price
803014	(HB-0573)	\$34.98 E

- Fun & Flotation
- Anchor & Dock
- Safety
- Electronics
- Trolling Motors
- Lighting
- Electrical
- Topside Acc.
- Cockpit & Deck
- Instruments
- Steering, Controls
- Perform.
- Fuel System
- Engine & Parts
- Engine Care
- Propellers
- Seating & Pedestals
- Tops & Covers
- Pumps
- Cleaning & Care
- Paint & Paint Acc.
- Hardware, Fasteners
- Trailer
- Misc.
- Comm.

Hynautic Engine Mount Aluminum Cylinder - Balanced



- Cylinders with aluminum barrels and end caps are designed for boats up to 38 ft. where steering loads are less than 10,000 in. lbs. of torque.
- Cylinder barrel and ends are anodized T-6061 aluminum.
- Cylinder rods are 303 stainless steel.
- All cylinders have replaceable wiper seals.
- 1-1/2" Bore, 7-3/4" stroke.

Order No.	Mfg. No. / Description	Price
401769	(K-6-NI)	\$893.98 E

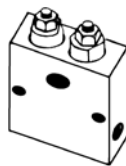
Hynautic Heavy Duty Helm Units



- Hynautic standard helm units combine one or two bi-directional axial piston pumps with pilot check and make-up check valving.
- The result is a unit which prevents rudder feedback, is very efficient (even at low r.p.m.) and is immediately adaptable to multi-station use.
- For boats up to 70 feet.

Order No.	Mfg. No. / Description	Price
401404	(H-21) Displacement Range: 2.75 cu. in., 1" Straight Shaft	\$971.98 E
401428	(H-25) Displacement Range: 2.75 cu. in., 3/4" Tapered Shaft	\$971.98 E
401442	(H-42-02) Displacement Range: 4.00 cu. in., 3/4" Tapered Shaft	\$1,684.98 E
401579	(HS-01) Seal Kit for H-20 Series with External Seal	\$37.98 E
401593	(HS-02) Seal Kit for H-20 Series with Internal Seal	\$37.98 E
401606	(HS-04) Seal Kit for H-40 Series with Internal Seal	\$37.98 E

Hynautic Relief Valve



- They are intended to protect the system's components and assist in purging air.
- Port size: 1/4 - 20 NPT.

Order No.	Mfg. No. / Description	Price
401620	(MSV-21) Relief Setting: 950 PSI	\$231.98 E

Jastram Watertight and Weatherproof Jog Levers



- Ideal for indoor and outdoor stations.
- The Jastram Jog Levers provides non follow-up (time dependent) electric control.
- Jastram Jog Levers operate either completely on (as long as the switch is activated) or completely off (when it is released).
- Supplied with 5' of cable.
- Waterproof and corrosion resistant housings, with an IP 66 rating.

Order No.	Mfg. No. / Description	Price
677745	(JA-701005-1) Contains One Set of Microswitches	\$528.98 E
677746	(JA-950078-1) Adapter Plate Kit	\$56.98 E
677750	(JB605001) Replacement Spring	\$35.98 B
677751	(JB605002) Jog Switch	\$24.98 D

Hynautic Brass Cylinder with Ball Joint



- Brass cylinders are for use on larger boats (to 70 ft. approx.).
- Tubes, ends and external tie rods are brass, cylinder rods are 303 stainless steel and mounts are manganese bronze.
- Cylinder types: Fixed mount.
- 1-1/2" Bore, 10" stroke.

Order No.	Mfg. No. / Description	Price
401822	(K-22)	\$830.98 E

Hynautic Reservoir



- Made of T-6061 aluminum, reservoirs are pressure tested for a minimum of 100 hours and shipped complete with front reading pressure gauge, fluid level indicator and return line filter.
- Capacity: 2 Quart.

Order No.	Mfg. No. / Description	Price
401624	(HP5810HY)	\$626.98 E

Hynautic Accessories for Cylinders

Order No.	Mfg. No. / Description	Price
402026	(KS-01) Seal Kit for K-11 thru K-17 Cylinders	\$36.98 E
401985	(KS-06) Seal Kit for K-21 thru K-29 Cylinders, After 1983	\$34.98 E
402052	(KS-12) Seal Kit for K-2 Cylinder	\$34.98 E
402015	(HP6039) Ball Joint for K-22 and K-29 Cylinders	\$238.98 E

Hynautic Miscellaneous Parts



Order No.	Mfg. No. / Description	Price
401961	(108MS-6-5B) 5/16" Hose Fitting	\$8.98 F
401656	(HP6004) Gauge: 0-60 PSI	\$30.98 E
401543	(HF-05) Fitting Kit f/SeaStar Helm to Hynautic Hose	\$51.98 E

Jastram Helm Pump Seal Kits



Order No.	Mfg. No. / Description	Price
677508	(119-0002) Seal Kit for 701 Helm Pump	\$34.98 C
677520	(119-0085) Seal Kit for B1 and B2 Helm Pumps	\$33.98 C

Jastram Cylinder Seal Kit



Order No.	Mfg. No. / Description	Price
677456	(119-0083) Cylinder Seal Kit for N50-190 and N50-300	\$138.98 C

- Fun & Flotation
- Anchor & Dock
- Safety
- Electronics
- Trolling Motors
- Lighting
- Electrical
- Topside Acc.
- Cockpit & Deck
- Instruments
- Steering, Controls**
- Perform.
- Fuel System
- Engine & Parts
- Engine Care
- Propellers
- Seating & Pedestals
- Tops & Covers
- Pumps
- Cleaning & Care
- Paint & Paint Acc.
- Hardware, Fasteners
- Trailering
- Misc.
- Comm.

Hynautic to SeaStar Cross Reference

	Hynautic		SeaStar		
	Part No.	Description	Part No.	Description	Remark
	H-116	1.6 Rear Mount Helm	HH5260	1.7 SeaStar Rear Mount Helm	Advisory Notice 764618
	H-120	2.0 Rear Mount Helm	HH5261	2.4 SeaStar Rear Mount Helm	Advisory Notice 764618
	H-124	2.4 Rear Mount Helm	HH5262	2.4 SeaStar Rear Mount Helm	Advisory Notice 764618
	H-21	2.75 Remote Reservoir Helm with 1" Straight Shaft	N/A		Will continue to manufacture 20 Series Helms
	H-22	2.0 CID/Rev. 1" Straight Shaft	N/A		Will continue to manufacture 20 Series Helms
	H-216	1.6 Tilt Helm	HH5741	1.7 SeaStar Traditional-Tilt Helm	Advisory Notice 764619
	H-220	2.0 Tilt Helm	HH5743	2.0 SeaStar Traditional-Tilt Helm	Advisory Notice 764619
	H-22-2	Helm Pump	N/A		Will continue to manufacture 20 Series Helms
	H-224	2.4 Tilt Helm	HH5742	2.4 SeaStar Traditional-Tilt Helm	Advisory Notice 764619
	H-25	2.75 Remote Reservoir Helm with 3/4" Tapered Shaft	N/A		Will continue to manufacture 20 Series Helms
	H-26	2.0 Remote Reservoir Helm with 3/4" Tapered Shaft	N/A		Will continue to manufacture 20 Series Helms
	H-29				Designed for Auto Pilot Drive
	H-316	Marol 1.6 Helm	HH5271	1.7 SeaStar Helm	Advisory Note 764621
	H-320	Marol 2.0 Helm	HH5273	2.0 SeaStar Helm	Advisory Note 764621
	H-324	Marol 2.4 Helm	HH5272	2.4 SeaStar Helm	Advisory Note 764621
Fun & Flotation	H-38	H-25 With Shorter Shaft (Special)	???		
	H-41	5.5 Remote Reservoir Helm with 1" Straight Shaft	N/A		Will continue to manufacture 40 Series Helms
Anchor & Dock	H-41-2	5.5 Remote Reservoir Helm with 3/4" Tapered Shaft	N/A		Will continue to manufacture 40 Series Helms
	H-42	4.0 Remote Reservoir Helm with 1" Straight Shaft	N/A		Will continue to manufacture 40 Series Helms
Safety	H-42-02	4.0 Remote Reservoir Helm with 3/4" Tapered Shaft	N/A		Will continue to manufacture 40 Series Helms
	H-42-04	40 Series Helm	N/A		Will continue to manufacture 40 Series Helms
Electronics	H-50	2.0 Remote Reservoirs Helm	HH5273 with HA5418	SeaStar 2.0 Front Mnt. Helm w/a Back Mnt Kit	H-50 Series Helms will stay-for alternatives
	H-51	2.75 Remote Reservoirs Helm	HH5272 with HA5418	SeaStar 2.4 Front Mnt. Helm w/a Back Mnt Kit	Advisory Note 764623
	H-52	1.65 Remote Reservoirs Helm	HH5271 with HA5418	SeaStar 1.7 Front Mnt. Helm w/a Back Mnt Kit	
Trolling Motors	H-702-4	Tilt Helm DF 3/4" Spline	???		Product for the Industrial Market
	H-816	1.6 80 Series Compact Helm w/Int. Reservoirs & Relief	HH5271	1.7 SeaStar Helm	Advisory Note 764622
Lighting	H-820	2.0 80 Series Compact Helm w/Int. Reservoirs & Relief	HH5273	2.0 SeaStar Helm	Advisory Note 764622
	H-824	2.4 80 Series Compact Helm w/Int. Reservoirs & Relief	HH5272	2.4 SeaStar Helm	Advisory Note 764622
Electrical	HyDyne-1000	O/B Power Assist Cylinder	N/A		This steering has been obsoleted
	K-1-B	I/B Universal Mount 150 - 9" Cylinder	HC5369HY	BA150-9TM	Advisory Notice 764624
	K-1-C	I/B Universal Mount 150 - 9" Cylinder with Clevis	HC5369HYC	BA150-9TM with Clevis	Advisory Notice 764624
Topside Acc.	K-10	O/B Slide Plate Cylinder	HC5345HY, HC5347HY HC5348HY, HC5358HY	O/B Pivot Plate Cylinder	Advisory Notice 764624
Cockpit & Deck	K-11	I/B Ball Mount 125 - 9" Stroke Cylinder	HC5380HY	Splashwell Mount 125 - 9" Cyl.	Advisory Notice 764613
	K-11S	I/B Ball Mount 125 - 9" Stroke Cylinder	HC5380HY	Splashwell Mount 125 - 9" Cyl.	Advisory Notice 764613
Instruments	K-12	I/B Ball Mount 125 - 7" Stroke Cylinder	HC5380HY	Splashwell Mount 125 - 9" Cyl.	2" Longer Stroke - Advisory Notice 764613
	K-13	O/B Side Mount Cylinder	HC5370HY	O/B Side Mount Cylinder 125 - 8"	1" Shorter Stroke - Advisory Notice 764614
Steering Controls	K-14	I/O Tube Mount 125 - 7" Cylinder	HC5370HY HC5328HY HC5329HY	O/B Side Mount Cylinder I/O 125 - 8EM Cylinder I/O 125 - 8VEM Cylinder	See Application for details for Specific Cyl. - Advisory Notice 764614
Perform.	K-18	I/B Ball Mount 125 - 7" Stroke Cylinder	HC5370HY	Side Mount 125 - 8" Cylinder	Stroke & Mount Differ (HC5312 might be an Option)
	K-19	I/B Ball Mount 125 - 9" Stroke Cylinder	HC5370HY	Side Mount 125 - 8" Cylinder	Stroke & Mount Differ (HC5313 might be an Option)
Fuel System	K-2-B	I/B Universal Mount 175 - 9" Cylinder	HC5373HY	BA175 - 9" Stroke	Advisory Notice 764625
	K-2-C	I/B Universal Mount 175 - 9" Cylinder with Clevis	HC5373HY	BA175 - 9" Stroke with Clevis	Advisory Notice 764625
Engine & Parts	K-22	I/B Fixed Mount 150 - 10" Cylinder	K-22		The Hynautic Version will stay as is
	K-27	I/B Fixed Mnt. 150 - 10" Cyl. Rod Ends on both ends	K-27		The Hynautic Version will stay as is
	K-28	I/B Fixed Mount 150 - 12" Cylinder	K-22		Only Difference is the Stroke
Engine Care	K-29	I/B Fixed Mnt. 150 - 12" Cyl. Rod Ends on both ends	K-27		Only Difference is the Stroke
	K-3-B	I/B Universal Mount 200 - 9" Cylinder Ball Joint	HC5802HY	BA200-9 Cylinder (P/S add on Cyl.)	Retracted Length is ~ 3.5" Longer on the HC5802HY Cly. - Advisory Notice 764615
Propellers	K-3-C	I/B Universal Mount 200 - 9" Cylinder Clevis	HC5802HYC	BA200-9 Cly. (P/S add on Cyl.) w/Clevis	Retracted Length is ~ 3.5" Longer on the HC5802HY Cly. - Advisory Notice 764615
Seating & Pedestals	K-31	I/B Fixed Mount 200 - 10" Cylinder	K-31		The Hynautic Version will stay as is
	K-33	I/B Fixed Mount Cylinder	?		None
Tops & Covers	K-4-B	I/B Universal Mount 200 - 12" Cylinder	HC5378HY	BA200-11 Cylinder	1" Shorter Stroke - Advisory Notice 764616
	K-4-C	I/B Universal Mount 200 - 12" Cylinder	HC5379HY	BA200-11 Cylinder with Clevis	1" Shorter Stroke - Advisory Notice 764616
	K-5	I/B Unbalanced 150 - 9" Cylinder			Hynautic K-5 Program will stay as is
Pumps	K-51	I/B BA150-7 Cylinder	HC5314HY	I/B BA150-7ATM Cylinder	Advisory Notice 764626
	K-59	I/B Tube Mount Unbalanced 125 - 7" Cylinder	HC5370HY HC5328HY HC5329HY	O/B Side Mount Cylinder I/O 125-8EM Cylinder I/O 125-8VEM Cylinder	HC Versions are Unbalanced, K-59 is a Balanced Cylinder See Application for details for Specific Cylinder
Cleaning & Care	K-6	O/B Front Mount, Drag Link Cylinder	K-6		HyTrac kits will remain in some form
Paint & Paint Acc.	K-6S	I/O K-6 Cylinder (Non Power-Assist)	HC5332	I/O Merc/Volvo SX 135-7EM Cyl.	
Hardware, Fasteners	K-8	I/B Universal Mount 250 - 9.5" Cylinder	K-8		
	K-9	I/B Universal Mount 250 - 14.5" Cylinder	K-9		
	PSK-10	Servo Cylinder	HC5801HY	SeaStar P/S 9" Cylinder	Replaces PSK-10 and Power Cylinder
Trailerling	PSK-11	Open Center Servo Cylinder	HC5803HY	SeaStar P/S 11" Cylinder	Replaces PSK-11 and Power Cylinder
	PSK-12	Closed Center Servo Cylinder	N/A		No Equivalent Product
Misc.					
Comm.					

Marpac Stainless Steel Steering Wheels with Control Knob



Cap Nut



- Steering wheel with turning knob.
- Solid investment cast hub.
- No set screw required.
- Fits a standard 3/4" tapered shaft helm.

STEERING WHEEL ONLY (WITHOUT CAP NUT)

Order No.	Description	Price
7-0689	Diameter 13"	\$145.98 G
7-0703	Diameter 15"	\$158.98 G

INCLUDES: 1/2" STAINLESS STEEL CAP NUT FOR MECHANICAL STEERING

Order No.	Description	Price
7-0709	Diameter 13" - Steering Wheel Kit	\$141.98 G
7-0708	Diameter 15" - Steering Wheel Kit	\$150.98 G
7-0706	Spare 1/2" Cap Nut	\$18.98 G

INCLUDES: 5/8" STAINLESS STEEL CAP NUT FOR SEASTAR HYDRAULIC STEERING

Order No.	Description	Price
7-0705	Diameter 13" - Steering Wheel Kit	\$141.98 G
7-0704	Diameter 15" - Steering Wheel Kit	\$150.98 G
7-0707	Spare 5/8" Cap Nut	\$18.98 G

INCLUDES: 12MM STAINLESS STEEL CAP NUT FOR UFLX HELMS

Order No.	Description	Price
7-0696	Diameter 13" - Steering Wheel Kit	\$141.98 G
7-0697	Diameter 15" - Steering Wheel Kit	\$150.98 G
7-0699	Spare 12mm Cap Nut	\$19.98 G

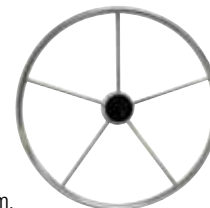
Schmitt Stainless Steel Model 530 Sailboat Steering Wheels



- Oval section rings provide a comfortable grip for easy steering.
- The basic construction is TIG welded, highly polished nonmagnetic stainless steel with Pakkawood Trim.
- Tubular spokes welded at hub and ring.
- 6 Spokes.
- Hub size: 1" straight shaft, 2-1/4" diameter, 2-1/8" long.
- Degree of dish is: Flat.

Order No.	Description	Price
602056	(532-20-900SS) Diameter 20"	\$317.98
602070	(532-24-900SS) Diameter 24"	\$349.98

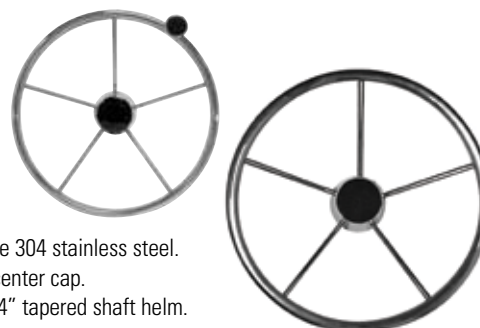
Marpac Destroyer Type Steering Wheels



- Non magnetic type 304 stainless steel.
- 5 Spoke Destroyer type steering wheel with black plastic center cap.
- Each wheel has a 10° of dish with 3/8" diameter spokes and fits a standard 3/4" tapered shaft helm.

Order No.	Description	Price
7-0682	Diameter 15-1/2"	\$69.98 G
7-0683	Diameter 18"	\$74.98 G
7-0684	Diameter 20"	\$84.98 G

Marpac Destroyer Type Steering Wheels



- 5 Spoke.
- Non-magnetic type 304 stainless steel.
- Black composite center cap.
- Fits a standard 3/4" tapered shaft helm.

Order No.	Description	Price
7-0248	Diameter 13-1/2" 25° Dish Diameter Spokes: 3/8"	\$59.98 G
7-0250	Diameter 15" 25° Dish Diameter Spokes: 3/8"	\$69.98 G
7-9063	Replacement Center Cap	\$5.98 F

WITH CONTROL KNOB

Order No.	Description	Price
7-0687	Diameter 13-1/2" 22° Dish Diameter Spokes: 1/2"	\$93.98 G
7-0688	Diameter 15-1/2" 22° Dish Diameter Spokes: 1/2"	\$99.98 G

Schmitt Model 150 Destroyer Type Steering Wheels



- Oval section rings provide a comfortable grip for easy steering.
- The basic construction is TIG welded, highly polished nonmagnetic stainless steel with Pakkawood Trim.
- Black plastic center cap.
- 6 Spokes
- Degree of dish is: 10°.

FITS 3/4" TAPERED SHAFT. SPOKE DIAMETER 3/8"

Order No.	Description	Price
602753	(152-18-111SS) Diameter 18"	\$180.98
602765	(152-20-111SS) Diameter 20"	\$209.98
602789	(152-24-111SS) Diameter 24"	\$251.98

FITS 1" STRAIGHT SHAFT. SPOKE DIAMETER 1/2"

Order No.	Description	Price
602121	(153-20-117SS) Diameter 20"	\$286.98

Marpac Steering Wheel Control Knob



- Heavy duty cast marine grade stainless steel.
- Fits most oval shaped Destroyer Type Steering Wheels.

Order No.	Description	Price
7-0255	Steering Wheel Control Knob	\$29.98 G
7-9064	Black Knob Cover	\$5.98 G

- Fun & Flotation
- Anchor & Dock
- Safety
- Electronics
- Trolling Motors
- Lighting
- Electrical
- Topside Acc.
- Cockpit & Deck
- Instruments
- Steering, Controls
- Perform.
- Fuel System
- Engine & Parts
- Engine Care
- Propellers
- Seating & Pedestals
- Tops & Covers
- Pumps
- Cleaning & Care
- Paint & Paint Acc.
- Hardware, Fasteners
- Trailering
- Misc.
- Comm.

Marpac Stainless Steel Destroyer Steering Wheels with Foam Grip



- Black composite center cap with black foam grip.
- 25° dish. 3/8" diameter spokes.
- Fits standard 3/4" tapered shaft helm.

Order No.	Description	Price
7-0691	Diameter 13-1/2"	\$64.98 G
7-0692	Diameter 15-1/2"	\$74.98 G

Marpac Stainless Steel Destroyer Steering Wheels with Foam Grip



- Black composite center cap with gray foam grip.
- 25° dish. 3/8" diameter spokes.
- Fits standard 3/4" tapered shaft helm.

Order No.	Description	Price
7-0693	Diameter 13-1/2"	\$64.98 G
7-0694	Diameter 15-1/2"	\$74.98 G

Schmitt Contemporary Captain's Wheel



- Oval section rings provide a comfortable grip for easy steering.
- The basic construction is TIG welded, highly polished nonmagnetic stainless steel with Pakkawood Trim.
- Woodgrain Pakkawood handles and center cap.
- Fits 3/4" tapered shaft. Handle flare of 2-1/4".
- Degree of dish is: 10°.
- 24" tip to tip. 6 spoke. Spoke diameter 3/8".

Order No.	Mfg. No. / Description	Price
602676	(222-24-111SS)	\$423.98 I

Marpac Plastic Steering Wheel



- Black rugged construction.
- Diameter 13".
- Fits a standard 3/4" tapered shaft helm.

Order No.	Description	Price
7-0252	Plastic Steering Wheel	\$11.98 H

Detmar Viper Steering Wheel



- The highly styled Viper wheel series provides a distinctive, clean appearance from front and rear viewing angles.
- Soft grip rim with leather grain, stitching and finger grips.
- Dish: 4".

Order No.	Mfg. No. / Description	Price
2000539	(12-2502AC) Diameter 13.5"	\$39.98 H

Edson Teak Yacht Wheels



SPECIAL ORDER ONLY



Fig. 603C

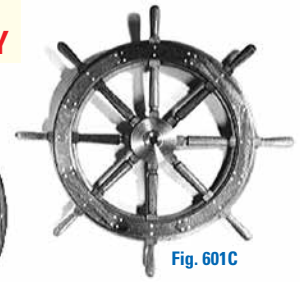


Fig. 601C

- These beautifully crafted wheels will give years of service and pleasure to the owner who wants the best workmanship on his yacht, work boat or fishing boat.
- Hand made from seasoned stock selected for matching grain and color.
- Highly polished chrome bronze hub.
- Furnished with 1" straight bore.
- Available in sizes from 20" to 38" on special order.
- Fig. 601C teak yacht wheels are spoked wheels.
- Fig. 603C teak wheels come with a laminated 1" diameter natural teak rim installed.

Edson Character Wheel



SPECIAL ORDER ONLY



- Fig. 688 character wheels are designed and finished with "character".
- Patterned after the traditional heavy cast iron wheels, these lightweight wheels are cast in corrosion resistant anodized aluminum, heated treated to T-6 hardness.
- They are coated in tan polyurethane and feature varnished teak handles.
- Furnished with 1" straight bore.
- Available in sizes 20", 25", 30" and 35" spoke to spoke on special order.

Marpac Plastic Steering Wheel



- Equidistant three spoke design.
- Heavy duty, non-magnetic, UV resistant, high impact plastic.
- Meets ABYC P-22 and ISO 8848 standards.
- Diameter 13-1/4". 4" dish.
- Fits all standard 3/4" tapered shafts.

Order No.	Description	Price
7-0253	Plastic Steering Wheel	\$27.98 G

SeaStar Champion Steering Wheel

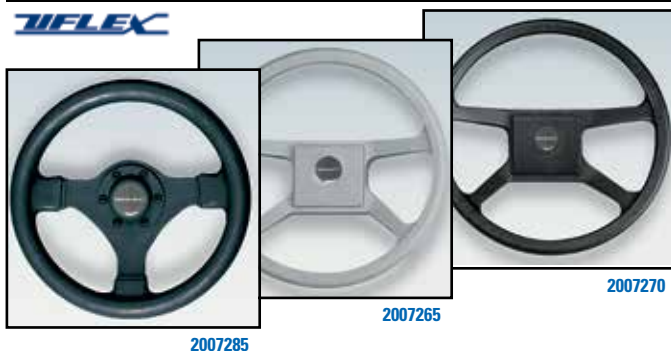


- Black rugged construction for marine use.
- UV and corrosion resistant materials.
- Fits 3/4" standard tapered helms.
- Diameter 13".

Order No.	Mfg. No. / Description	Price
838601	(SW59291B)	\$57.98 Q

- Fun & Flotation
- Anchor & Dock
- Safety
- Electronics
- Trolling Motors
- Lighting
- Electrical
- Topside Acc.
- Cockpit & Deck
- Instruments
- Steering Controls
- Perform.
- Fuel System
- Engine & Parts
- Engine Care
- Propellers
- Seating & Pedestals
- Tops & Covers
- Pumps
- Cleaning & Care
- Paint & Paint Acc.
- Hardware, Fasteners
- Trailering
- Misc.
- Comm.

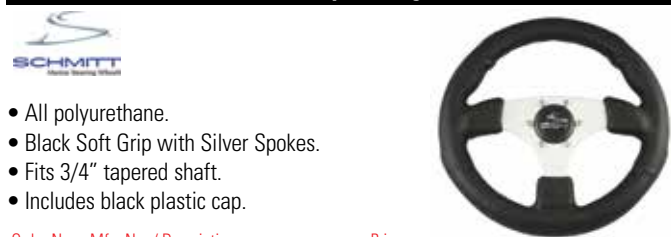
Uflex Thermoplastic Steering Wheels



- Thermoplastic anti-shock material.
- Standard 3/4" taper.
- Complete with hub.
- Flat, no dish.

Order No.	Mfg. No. / Description	Price
2007265	(V33G) Diameter 13.4" Grey	\$36.98 H
2007270	(V33N) Diameter 13.4" Black	\$36.98 H
2007285	(V45) Diameter 11" Black, Soft Touch Grip	\$64.98 H

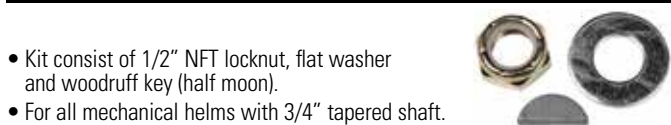
Schmitt Fantasy Steering Wheel



- All polyurethane.
- Black Soft Grip with Silver Spokes.
- Fits 3/4" tapered shaft.
- Includes black plastic cap.

Order No.	Mfg. No. / Description	Price
838687	(PU13101) Diameter 13.8"	\$89.98 F

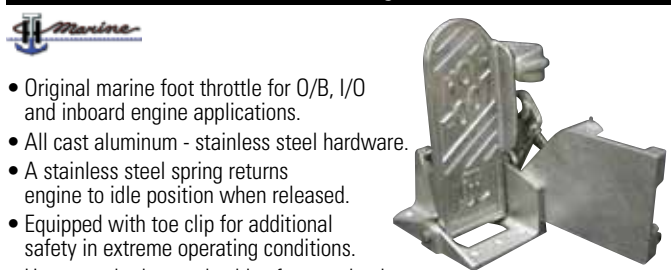
SeaStar Steering Wheel Hardware Kit



- Kit consist of 1/2" NPT locknut, flat washer and woodruff key (half moon).
- For all mechanical helms with 3/4" tapered shaft.

Order No.	Mfg. No. / Description	Price
649538	(SA27454P)	\$10.98 F

T-H Marine Hot Foot™ - Original Foot Throttle



- Original marine foot throttle for O/B, I/O and inboard engine applications.
- All cast aluminum - stainless steel hardware.
- A stainless steel spring returns engine to idle position when released.
- Equipped with toe clip for additional safety in extreme operating conditions.
- Uses standard control cables for easy hook-up.
- Mounts directly to floor of boat with four screws (Not included).

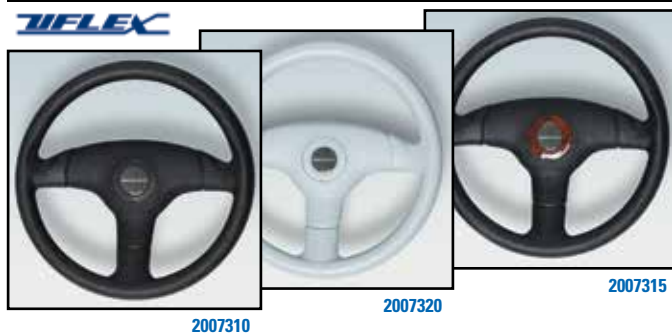
Order No.	Mfg. No. / Description	Price
640309	(HF-1-DP) Universal Model - Fits all Marine Engines	\$160.98 H
640310	(HFS-1-DP) Hot Foot Replacement Spring (All Models)	\$18.98 H

T-H Marine Hot Foot™ - Slide Mount

- This sliding mount allows easy adjustment of the Hot Foot throttle position for different drivers or driving conditions.
- Mount allows over 5" of adjustment.
- All extruded aluminum and stainless steel construction.
- Stainless steel fasteners and release pin.

Order No.	Mfg. No. / Description	Price
640361	(HFM-1-DP)	\$75.98 G

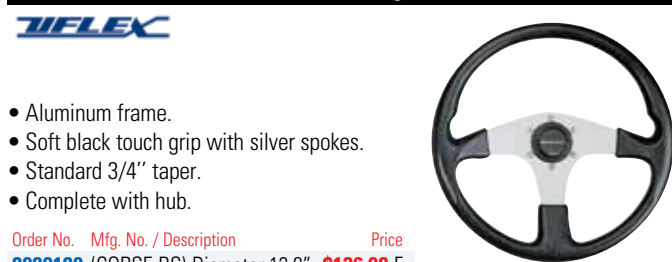
Uflex Antigua Style Steering Wheels



- Thermoplastic anti-shock material.
- Standard 3/4" taper.
- Complete with hub.
- All Antigua steering wheels are provided with an exclusive hub that easily allows the steering wheel to always be aligned properly.

Order No.	Mfg. No. / Description	Price
2007310	(V60) Diameter 13.8" Black, Soft Touch Grip	\$72.98 H
2007320	(V60G) Diameter 13.8" Grey, Soft Touch Grip	\$72.98 H
2007315	(V60BRC) Diameter 13.8" Black with Burl Wood Cap	\$91.98 H

Uflex Corse Steering Wheel



- Aluminum frame.
- Soft black touch grip with silver spokes.
- Standard 3/4" taper.
- Complete with hub.

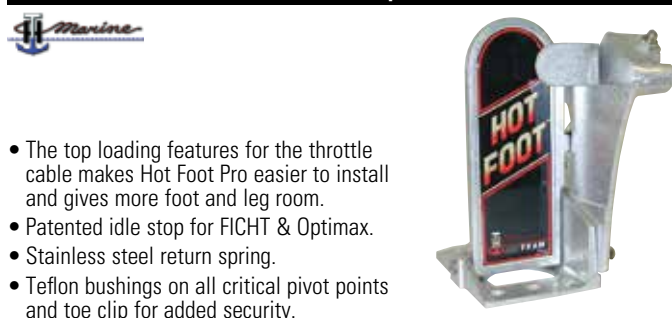
Order No.	Mfg. No. / Description	Price
8020180	(CORSE BS) Diameter 13.8"	\$136.98 F

SeaStar Steering Wheel Bushing

- Solid brass construction, adapts 1" straight steering wheel hub to 3/4" tapered helm shaft.

Order No.	Mfg. No. / Description	Price
803014	(HB-0573)	\$34.98 E

T-H Marine Hot Foot™ Pro - Top Load Foot Throttles



- The top loading features for the throttle cable makes Hot Foot Pro easier to install and gives more foot and leg room.
- Patented idle stop for FICHT & Optimax.
- Stainless steel return spring.
- Teflon bushings on all critical pivot points and toe clip for added security.

Order No.	Mfg. No. / Description	Price
640322	(HF-1T-DP) Fits OMC and Mercury	\$154.98 F
640335	(HF-1CT-DP) Fits Honda, Chrysler and Yamaha	\$154.98 F

- Fun & Flotation
- Anchor & Dock
- Safety
- Electronics
- Trolling Motors
- Lighting
- Electrical
- Topside Acc.
- Cockpit & Deck
- Instruments
- Steering, Controls
- Perform.
- Fuel System
- Engine & Parts
- Engine Care
- Propellers
- Seating & Pedestals
- Tops & Covers
- Pumps
- Cleaning & Care
- Paint & Paint Acc.
- Hardware, Fasteners
- Trailering
- Misc.
- Comm.

- Fun & Flotation
- Anchor & Dock
- Safety
- Electronics
- Trolling Motors
- Lighting
- Electrical
- Topside Acc.
- Cockpit & Deck
- Instruments
- Steering, Controls**
- Perform.
- Fuel System
- Engine & Parts
- Engine Care
- Propellers
- Seating & Pedestals
- Tops & Covers
- Pumps
- Cleaning & Care
- Paint & Paint Acc.
- Hardware, Fasteners
- Trailer
- Misc.
- Comm.

Marpac International Controls



7-0114



7-0115

- Cast stainless steel.
- Single and dual lever/single action.
- Includes: Hardware for 33C and 43C cables.

Order No.	Description	Price
7-0114	Single	\$132.98 D
7-0115	Dual	\$179.98 D

Marpac International Dual Control



- Stainless steel.
- Single and dual lever/single action.
- Includes: Hardware for 33C cables.
- Not for use with 43C cables.

Order No.	Description	Price
7-0113	International Dual Control	\$178.98 D

SeaStar MT-3 Dual-Function, Single or Twin Lever Controls



490019



490007

- Used for outboard, sterndrive, diesel and gasoline inboard engines with hydraulic gears.
- One lever operates both clutch and throttle.
- Built-in friction drag helps prevent slippage and throttle creep while underway.
- Control features: Neutral safety switch prevents starting in gear, engine warm-up provision and forward neutral reverse detents.
- Uses 33C and 33C Supreme Cables.
- Single lever may use 4300 Series Control Cable with Conversion Kit.

Order No.	Mfg. No. / Description	Price
490007	(CH5310P) Single Control	\$403.98 Q
490019	(CH5300P) Twin Control	\$733.98 Q
490526	(035232-001) Red Ball Knob	\$14.98 Q
490538	(035232-004) Black Ball Knob	\$14.98 Q
490499	(305499) Neutral Safety Switch	\$32.98 Q
490425	(308742) Conversion Kit for 4300 Series Cable	\$105.98 Q

Uflex Top Mount Controls



2006668



2006667

- Compact single lever controls offering a unique low profile style compared to other controls available on the market.
- Enables easy and safe shifting by preventing accidental gear engagement unless engine is idling.
- Made of marine aluminum, chrome plated or powder coat finish.
- Push in button disengages shift for warm-up.
- Includes X12 neutral safety switch which prevents in-gear starting.
- For use with all Uflex control cables except C4: C14 and MACH14 cables require no kit; for C2, C8 and MACHZero cables the connection kit K59; C5, C16 and MACH5 cables require K60 Kit; C36 and MACH36 cables require K62 Kit; C22 cable requires K61 Kit.

Order No.	Mfg. No. / Description	Price
2006667	(B301CR) Single Control Chrome	\$506.98 Q
2006668	(B302CR) Dual Control Chrome	\$819.98 Q

Marpac MM Series Controls



7-0119



7-0118



- Classic design with a modern look.
- Single lever, dual function control for easy one hand operation.
- Works with almost any outboard, I/O or inboard engine.
- Accepts any OEM control cable.
- Easy to thumb power trim and tilt button on the handle.
- Neutral safety switch prevents starting in gear.

Order No.	Description	Price
7-0118	Top Mount	\$199.98 D
7-0119	Side Mount	\$199.98 D

Uflex Top Mount Controls



- Single lever/dual action control to operate both throttle and shift.
- Suitable for any type of boats with outboard, inboard or I/O power plants.
- Made of chrome plated marine aluminum.
- Pull-out handle disengages shift for warm-up.
- Neutral safety switch prevents in-gear starting.
- Built-in friction to avoid throttle creep.
- For use with C2, C8 and CO Uflex engine control cables.

Order No.	Mfg. No. / Description	Price
490036	(B-103) Single Lever Control for One Engine	\$459.98 G
490042	(B-104) Single Lever Control for Two Engines	\$748.98 G

SeaStar SL3 Dual-Function, Single-Lever Controls



- Modern styling, dual action, top and side mount controls with trim and tilt switches.
- Black satin finish.
- Start in gear protection standard.
- Side mount includes neutral interlock to prevent accidental engaging of gear.
- Push button for neutral engine warm up.
- Uses 33C Series Type Cables or Johnson/Evinrude/BRP/OMC/Mercury/OEM Style Cables.

Order No.	Mfg. No. / Description	Price
490328	(309475-002) Side Mount With Trim and Tilt	\$494.98 Q
490332	(309478-002) Top Mount With Trim and Tilt	\$515.98 Q

SeaStar CH7500 Dual-Function Premium Engine Control



- Single lever top mount.
- Chrome handle with chrome cover, chrome and black inserts.
- These controls features throttle warm-up and start-in-gear protection.
- "Easy-On" cable design accepts virtually every type of OEM and 3300 type cable.

Order No.	Mfg. No. / Description	Price
490300	(CH7542P) With Trim and Tilt	\$478.98 F

SeaStar CH1700 Dual-Function Premium Engine Controls



- Single lever for a starboard gunwale mount control.
- Chrome handle with black cover, chrome and black inserts.
- Includes cut off switch.
- These controls features neutral interlock, throttle warm-up and start-in-gear protection.
- "Easy-On" cable design accepts virtually every type of OEM and 3300 type cable.

Order No.	Mfg. No. / Description	Price
490297	(CH1752P) With Trim and Tilt I/O and O/B Stop Switch	\$504.98 F
490312	(CH1751P) With Trim I/O and O/B Stop Switch	\$409.98 F

Uflex Top Mount Controls



- Black dome with chrome plated lever.
- Single lever/dual action control to operate both throttle and shift.
- Suitable for any type of boats with outboard, inboard or I/O power plants.
- Enables easy and safe shifting by preventing accidental gear engagement unless engine is idling.
- Made of marine aluminum with chrome plated lever and black dome.
- Pull-out handle disengages shift for warm up.
- Includes X12 neutral safety switch which prevents in-gear starting.
- Power trim switch conveniently located in the handle grip enables for easy tilting of the engine.
- For use with all Ultraflex engine control cables except C22, C4, C36 and MACH36.
- Uflex C5, C16 and MACH5 cables require K35 kit.

SINGLE LEVER CONTROL FOR ONE ENGINE

Order No.	Mfg. No. / Description	Price
2006685	(B73) Without Trim	\$341.98 Q
2006700	(B77) With Trim	\$462.98 H

TWIN LEVER CONTROL FOR TWO ENGINES

Order No.	Mfg. No. / Description	Price
2006690	(B74) Without Trim	\$579.98 Q
2006705	(B79) With Trim	\$717.98 Q

Uflex Single-Lever Side Mount Controls



- The new B310 controls combine elegance, functionality and versatility.
- The universal control design allows for the connection of 33C Universal style cable and OMC (Johnson/Evinrude) cables with adapters included.
- Mercury Gen I cables can be easily connected with the addition of the K35 connection kit.
- Enables easy and safe shifting by preventing accidental gear engagement unless engine is idling.
- Can be installed horizontally or vertically, on the starboard or port side of the boat.
- Provided with a brake tension release system adjustable from outside.
- Pull-out handle disengages shift for warm-up.
- Includes X12 neutral safety switch which prevents in-gear starting.
- Provided with positive lock-in neutral to prevent accidental gear engagement.
- For use with all Ultraflex engine control cables except C4, C36 and MACH36. Uflex C5, C16, MACH5 and Mercury cables require K35 connection kit. Uflex C22 and C23 cables require KB1 connection kit.

Order No.	Mfg. No. / Description	Price
2006665	(B310B) With Throttle and Shift	\$435.98 F
2006670	(B310CH) With Throttle and Shift	\$546.98 Q

- Fun & Flotation
- Anchor & Dock
- Safety
- Electronics
- Trolling Motors
- Lighting
- Electrical
- Topside Acc.
- Cockpit & Deck
- Instruments
- Steering, Controls
- Perform.
- Fuel System
- Engine & Parts
- Engine Care
- Propellers
- Seating & Pedestals
- Tops & Covers
- Pumps
- Cleaning & Care
- Paint & Paint Acc.
- Hardware, Fasteners
- Trailering
- Misc.
- Comm.

Uflex Single-Lever Side Mount Controls



- Single lever/dual action control to operate both throttle and shift.
- Suitable for any type of boats with outboard, inboard or I/O power plants.
- Enables easy and safe shifting by preventing accidental gear engagement unless engine is idling.
- Can be installed horizontally or vertically, on the starboard or port side of the boat.
- Provided with a brake tension release system adjustable from outside.
- Pull-out handle disengages shift for warm-up.
- Includes X12 neutral safety switch which prevents in-gear starting.
- Provided with positive locking neutral to prevent accidental gear engagement.
- For use with all Ultraflex engine control cables except C4, C36 and MACH36. Uflex C5, C16, MACH5 and Mercury cables require K35 connection kit. Uflex C22 and C23 cables require KB1 connection kit.

Order No.	Mfg. No. / Description	Price
2006645	(B183) Without Trim Switch	\$284.98 H
2006650	(B184) With Trim Switch	\$358.98 H
2006655	(B184MERC) For Mercury With Trim Switch	\$353.98 R

Uflex Single-Lever Side Mount Controls



- Single lever/dual action control to operate both throttle and shift.
- Suitable for any type of boats with outboard, inboard or I/O power plants.
- Enables easy and safe shifting by preventing accidental gear engagement unless engine is idling.
- Can be installed horizontally or vertically, on the starboard or port side of the boat.
- Made of painted marine aluminum.
- Pull-out handle disengages shift for warm-up.
- Includes X12 neutral safety switch which prevents in-gear starting.
- Provided with a positive lock-in neutral to prevent accidental gear engagement.
- For use with all Ultraflex engine control cables except C22, C4, C36 and MACH36. Uflex C5, C16, MACH5 and Mercury cables require K35 connection kit. To connect C14 and MACH14 cables and current OMC cable to engine, use K51 connection kit.

Order No.	Mfg. No. / Description	Price
2006707	(B89) White Finish	\$317.98 Q
2006710	(B90) Black Finish	\$308.98 H

SeaStar MV-3 Dual-Function, Single Lever Control - Side Mount



- Single lever control. For outboards, inboards and sterndrives.
- Ergonomically designed handgrip for maximum comfort and convenience.
- Neutral safety switch prevents starting in gear. Neutral throttle warm-up.
- Built-in friction drag to reduce throttle creep.
- Neutral interlock feature to prevent accidental shifting.
- Uses 33C and 33C Supreme Cables.

Order No.	Mfg. No. / Description	Price
402153	(CH2920P) Side Mount	\$341.98 G
490526	(035232-001) Red Ball Knob	\$14.98 Q
490538	(035232-004) Black Ball Knob	\$14.98 Q

SeaStar SR Twin Single-Function, Two Lever Control



- Ideal for inboards and multiple station boats.
- Polished stainless steel cover, marine grade chrome levers and rugged cast hanger plate.
- Removable cover enables easy access to the mechanism.
- Adjustable brakes and stops.
- Accepts universal control cables.
- Uses 33C and 33C Supreme Cables.
- An adapter kit is required for 4300 Series Control Cable.

Order No.	Mfg. No. / Description	Price
402141	(CH5400P) Twin Control	\$363.98 Q
490526	(035232-001) Red Ball Knob	\$14.98 Q
490538	(035232-004) Black Ball Knob	\$14.98 Q
490413	(040090) Adapter Kit for Each 4300 Series Cable	\$64.98 H
402165	(060991) Replacement Hardware Kit, Twin	\$57.98 E
402178	(CA69060P) Replacement Stainless Steel Lever	\$91.98 Q

SeaStar S and Twin-S Single-Function, One or Two Lever Controls



- Single-function, one or two lever versions.
- Highly polished corrosion resistant stainless steel covers and handle.
- Adjustable throttle brake, adjustable travel stops and applicable for dual stations.
- Uses 33C or 33C Supreme Cables.
- An adapter kit is required for 4300 Series Control Cable (1/4"-20 thread).
- Note: An Accessory Detent Kit 490588 (022328) can be used for clutch control applications (except for dual station). This kit provides detent feel at forward, neutral and reverse.

Order No.	Mfg. No. / Description	Price
489650	(CH5210P) Single Control	\$251.98 Q
489662	(CH5200P) Twin Control	\$314.98 Q
490588	(022328) Clutch Detent Kit	\$29.98 Q
490526	(035232-001) Red Ball Knob	\$14.98 Q
490538	(035232-004) Black Ball Knob	\$14.98 Q
490401	(042152) Heavy Duty Cable Attachment Kit	\$40.98 Q
490350	(061001) Mounting Hardware Kit, Twin	\$55.98 H
490933	(047307) Neutral Safety Kit	\$82.98 Q

Fun & Flotation

Anchor & Dock

Safety

Electronics

Trolling Motors

Lighting

Electrical

Topside Acc.

Cockpit & Deck

Instruments

Steering, Controls

Perform.

Fuel System

Engine & Parts

Engine Care

Propellers

Seating & Pedestals

Tops & Covers

Pumps

Cleaning & Care

Hardware, Fasteners

Trailer

Misc.

Comm.

SeaStar SLT Single-Function Top Mount Control



- For single or dual stations with single or twin engines.
- One control per engine per station.
- Using a patented self-locking throttle clutch (SLT), the CH5600P control fights throttle creep without friction devices, for a smoother feel.
- Polished stainless steel levers and cover.
- Positive detents for shift.
- Push or pull to operate throttle and/or shift.
- Includes: Hardware for two 33C type cables.
- Optional neutral safety switch kit.

Order No.	Mfg. No. / Description	Price
839007	(CH5600P) Control	\$458.98 F
839045	(CA69009P) Neutral Safety Switch Kit	\$63.98 H
402178	(CA69060P) Replacement Stainless Steel Lever	\$91.98 Q

Uflex Two-Lever Top Mount Control



- Two lever/single action control; each lever operates separately either the throttle or shift.
- Suitable for use with outboard, inboard or I/O power plants.
- Flush mount suitable for exposed positions such as flying bridge.
- Made of marine aluminum with chrome plated lever.
- Throttle lever is provided with adjustable brake tension release system and shift lever with forward, reverse and neutral detents.
- Both the brake tension release and detents can be installed and adjusted from the outside.
- Neutral safety switch X12 included prevents in-gear starting.
- For use with Ultraflex C2, C8 MACHZero and all 33C style engine control cables. Ultraflex C22 and all 43C style cables require K22 connection kit.

Order No.	Mfg. No. / Description	Price
2006678	(B46) With Throttle and Shift	\$401.98 Q

SeaStar Replacement Stainless Steel Lever



- Stainless steel throttle knobs fit most controls with 3/8-24 threaded levers.
- Stainless steel replacement lever fits SeaStar SLT (CH5600P) and SR Twin (CH5400P) controls only.

Order No.	Mfg. No. / Description	Price
402178	(CA69060P)	\$91.98 Q

SeaStar Bowden Wire Pivot



- Can be used with wire control to trip levers, choke handles, choke knobs, etc.
- Brass with stainless steel locking screw.

Order No.	Mfg. No. / Description	Price
494067	(047641) Stop Pivot for 33C Series, 1/4"	\$29.98 Q

SeaStar ST Single-Function, Single Lever Control - Side Mount



- Single-function, single lever control simple trouble free design.
- Durable heavy chrome finish.
- Simple rugged compact design.
- Without throttle brake.
- Uses 33C and 33C Supreme Cables.

Order No.	Mfg. No. / Description	Price
489749	(CH2400P) Control	\$212.98 Q
490526	(035232-001) Red Ball Knob	\$14.98 Q
490538	(035232-004) Black Ball Knob	\$14.98 Q

Uflex Two-Lever Side Mount Control



- Suitable for all outboard engines.
- Made of nylon fiberglass with anodized aluminum levers.
- Left or right side mount installation.
- For use with Ultraflex engine control cables: C14 and MACH14 with K23. C4 with K24. C2, C8, MACHZero and all 33C style cables with K25. C5 and MACH5 without connection kit Mercury no connection kit needed, OMC pre 1979 with K24, BRP (OMC) post 1979 with K23, Yamaha/Honda/Suzuki with K25.

Order No.	Mfg. No. / Description	Price
2006680	(B49) Black Finish	\$186.98 H

SeaStar T-Handle DC Control



- Can be mounted flush on the dashboard or the side of the wheel box.
- Recommended for throttle, choke, air or fuel shutdown requiring up to 3" of travel.
- Chrome plated T-handle and adjustable stop locking knurled nut.
- Uses standard 33C cable with 3/16" thread.
- Optional mounting bracket is available for side of console mounting.

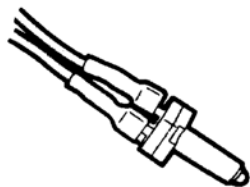
Order No.	Mfg. No. / Description	Price
489509	(301916) DC Control	\$112.98 Q
489511	(048210) Mounting Bracket, Stainless Steel	\$55.98 Q

- Fun & Flotation
- Anchor & Dock
- Safety
- Electronics
- Trolling Motors
- Lighting
- Electrical
- Topside Acc.
- Cockpit & Deck
- Instruments
- Steering, Controls**
- Perform.
- Fuel System
- Engine & Parts
- Engine Care
- Propellers
- Seating & Pedestals
- Tops & Covers
- Pumps
- Cleaning & Care
- Paint & Paint Acc.
- Hardware, Fasteners
- Trailering
- Misc.
- Comm.

- Fun & Flotation
- Anchor & Dock
- Safety
- Electronics
- Trolling Motors
- Lighting
- Electrical
- Topside Acc.
- Cockpit & Deck
- Instruments
- Steering, Controls**
- Perform.
- Fuel System
- Engine & Parts
- Engine Care
- Propellers
- Seating & Pedestals
- Tops & Covers
- Pumps
- Cleaning & Care
- Paint & Paint Acc.
- Hardware, Fasteners
- Trailer
- Misc.
- Comm.

Uflex Accessories for Control Boxes

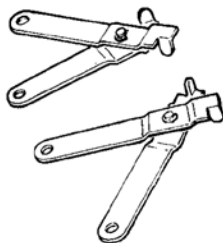
Uflex Neutral Safety Switch



- Neutral safety switch to prevent in-gear starting.

Order No. Mfg. No. / Description Price
2007350 (X12) **\$48.98** G

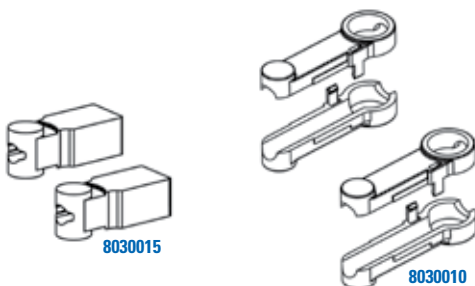
Uflex Connection Kit for Single Lever Control Boxes



- Kit to connect C5, C16, MACH5 and Mercury Style cables to single lever control boxes, except B301, B302, B103 and B104.

Order No. Mfg. No. / Description Price
2006845 (K35) **\$25.98** H

Uflex Connection Kits for B301 and B302 Control Boxes



K60 CONNECTION KIT

- Kit to connect C5, C16, MACH5 and Mercury (except GEN II) cables to B301 and B302 control boxes.

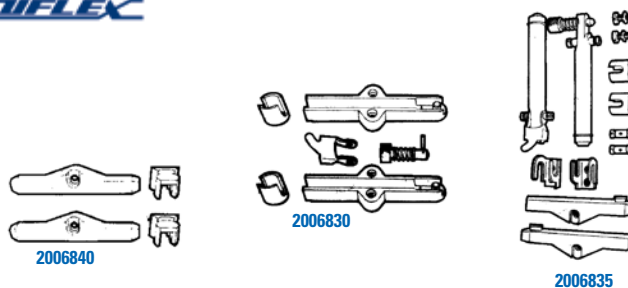
Order No. Mfg. No. / Description Price
8030010 (K60) **\$14.98** Q

K62 CONNECTION KIT

- Kit to connect C36, MACH36 and Mercury GEN II cables to B301 and B302 control boxes.

Order No. Mfg. No. / Description Price
8030015 (K62) **\$22.98** Q

Uflex Connection Kits for B47 and B49 Control Boxes



K23 CONNECTION KIT

- Kit to connect C14, MACH14 and OMC type "OS" cables to B47 and B49 control boxes.

Order No. Mfg. No. / Description Price
2006830 (K23) **\$20.98** H

K24 CONNECTION KIT

- Kit to connect C4 and OMC type "O" cables to B47 and B49 control boxes.

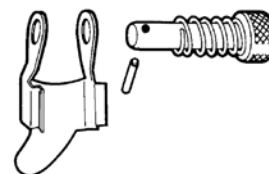
Order No. Mfg. No. / Description Price
2006835 (K24) **\$43.98** H

K25 CONNECTION KIT

- Kit to connect C2, C8, MACHZero and all 33C style cables to B47 and B49 control boxes.

Order No. Mfg. No. / Description Price
2006840 (K25) **\$14.98** H

Uflex Connection Kit for B89 and B90 Control Boxes



- Kit to connect C14, MACH14 and OMC type "OS" cables to B89 and B90 control boxes.

Order No. Mfg. No. / Description Price
2006850 (K51) **\$14.98** H

T-H Marine Throttle Control Mount

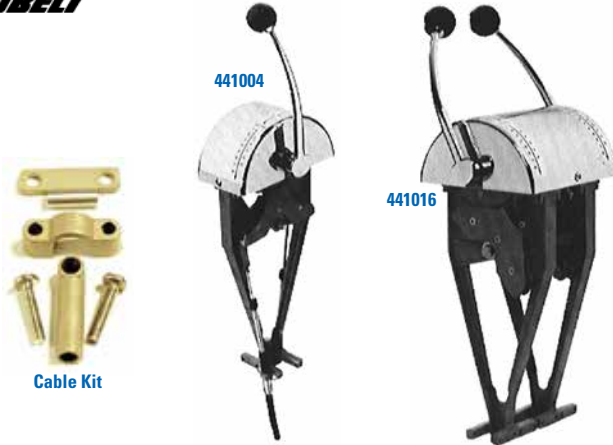


- This bracket provides a simple installation of mounting control box on aluminum and some fiberglass boats.
- Made of high quality aluminum for a long lasting good appearance.
- Easily installed on side of boat.

Order No. Mfg. No. / Description Price
640943 (TCM-1-DP) **\$41.98** H

Kobel Medium Duty, Single Lever Control Heads

HOBELT



- Single station use only.
- They provide a pullout handle for overriding throttle, roller detents and enumerable options.
- The clutch travel is maximum 3" and throttle travel is maximum 1-5/8".
- The 2048 consists of two 2046's jointed on a common frame and dome.

Order No.	Mfg. No. / Description	Price
441004	(2046-KU) Single	\$774.98 G
441016	(2048-KU) Twin	\$1,504.98 G
441511	(2046-0901) 33C Cable Kit	\$26.98 F
441509	(2046-0902) 43C Cable Kit	\$34.98 F

Kobel Twin Handle Push Pull Control Heads

HOBELT

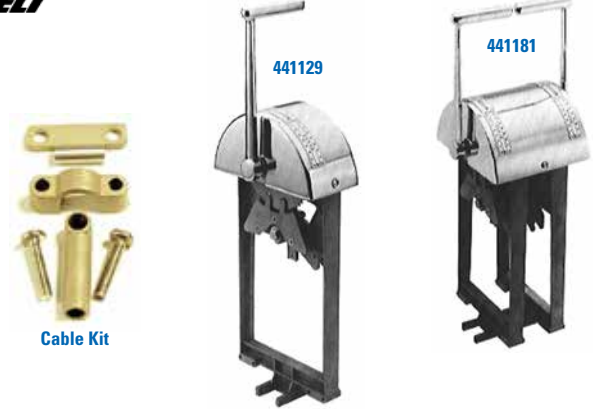


- This control incorporates all the features of the Kobelt standard Push Pull Control: 3" stroke, all bronze and stainless steel, and is extremely heavy duty construction.
- The cable support bracket has been shortened to improve cable attachment access to the Control head.
- Chrome finish cover and handles with one detent and one friction.

Order No.	Mfg. No. / Description	Price
440987	(2015DK) Long Handles	\$654.98 G
440999	(2015DKU) Long Curved Handles	\$654.98 G

Kobel Two Station Single Lever Control Heads

HOBELT



- The 2091 and 2092 master control heads feature a pullout handle for overriding throttle.
- All models are entirely made of die cast silicon bronze and stainless steel hardware.
- Maximum clutch stroke is 2-3/4" and the maximum throttle stroke is 2-1/4".

Order No.	Mfg. No. / Description	Price
441129	(2091-KY) Single Engine/Master	\$993.98 G
441131	(2093-KY) Single Engine/Remote	\$668.98 G
441181	(2092-KY) Twin Engine/Master	\$1,893.98 G
441193	(2094-KY) Twin Engine/Remote	\$1,218.98 G
441511	(2046-0901) 33C Cable Kit	\$26.98 F
441509	(2046-0902) 43C Cable Kit	\$34.98 F
441117	(2090-1012) Replacement Chain Assembly	\$137.98 G

Kobel Control Head Connection Kits

HOBELT



- These kits are designed for attaching a push-pull cable to the control head.
- Since the cables are either 33 series or 43 series, you need to have the kit that matches the control head and the cable series being used.

Order No.	Mfg. No. / Description	Price
441507	(2015-0902) For 43 Series Cables	\$34.98 F
441508	(2015-0901) For 33 Series Cables	\$26.98 F

Kobel Control Cables in Interconnect 2090 Series Control Heads

HOBELT



Order No.	Mfg. No. / Description	Price
350102	(45808) Cable Length 16'	\$141.98 Q
350126	(45808) Cable Length 20'	\$187.98 Q
350140	(45808) Cable Length 24'	\$198.98 Q
350164	(45808) Cable Length 28'	\$214.98 Q
350188	(45808) Cable Length 32'	\$235.98 Q
350190	(45808 47-34') Cable Length 34'	\$241.98 Q
350203	(45808) Cable Length 36'	\$256.98 Q
350215	(45808) Cable Length 56'	\$416.98 Q

- Fun & Flotation
- Anchor & Dock
- Safety
- Electronics
- Trolling Motors
- Lighting
- Electrical
- Topside Acc.
- Cockpit & Deck
- Instruments
- Steering, Controls
- Perform.
- Fuel System
- Engine & Parts
- Engine Care
- Propellers
- Seating & Pedestals
- Tops & Covers
- Pumps
- Cleaning & Care
- Paint & Paint Acc.
- Hardware, Fasteners
- Trailering
- Misc.
- Comm.

- Fun & Flotation
- Anchor & Dock
- Safety
- Electronics
- Trolling Motors
- Lighting
- Electrical
- Topside Acc.
- Cockpit & Deck
- Instruments
- Steering, Controls**
- Perform.
- Fuel System
- Engine & Parts
- Engine Care
- Propellers
- Seating & Pedestals
- Tops & Covers
- Pumps
- Cleaning & Care
- Paint & Paint Acc.
- Hardware, Fasteners
- Trailer
- Misc.
- Comm.

SeaStar KE-4 Electronic Control System



KE-4 IS THE IDEAL ELECTRONIC SOLUTION FOR:

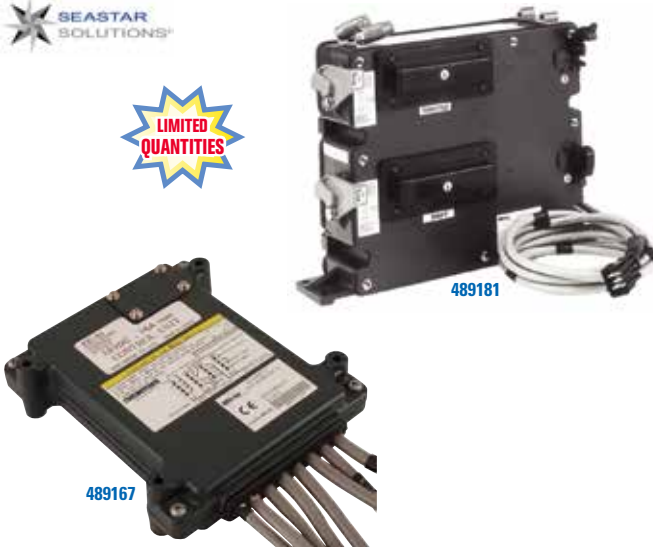
- Dual station, three station, and flybridge applications.
- Long distances from controls to engines, such as houseboats.
- Complex routings from controls to engines.
- Replacement of mechanical, hydraulic, or pneumatic controls.

THE SEASTAR KE-4 CONTROL SYSTEM PROVIDES:

- Control Of Shift And Throttle In One Lever.
- Easy Operation With No Shift Or Throttle Feedback.
- 'Creep-Free' Performance.
- Quick, Easy Installation.
- Reliable Overload Protection.
- Station Select Switch On Control Head.
- Neutral Warm Up Function.
- Complete Self-Diagnostic System.
- Longer Life Than Mechanical Systems.
- Freedom From Control Adjustment Headaches

Order No.	Mfg. No. / Description			Price
489132	(NM0511-00) Gold	Left Hand	Single	\$533.98 E
489134	(NM0510-00) Gold	Left Hand	Twin	\$652.98 E
489143	(NM0534-00) Chrome	Left Hand	Single	\$533.98 E
489155	(NM0533-00) Chrome	Left Hand	Twin	\$756.98 E

SeaStar Accessories and Parts for KE-4 Electronic Control System



Order No.	Mfg. No. / Description	Price
489167	(NM0477-00) Control Unit, 12 Volt	\$1,583.98 E
489181	(NM0165-00) Actuator	\$877.98 E
489193	(NM0619-05) Comm. Harness 5M	\$68.98 LQ
489212	(NM0616-14) Remote Control Harness, 14m	\$98.98 LQ
489220	(NM0616-08) Remote Control Harness, 8m	\$93.98 E
489244	(NM0414-33) Power Harness, 10m	\$68.98 E
330794	(30055-20-BP) Circuit Breaker, 20 amp	\$10.98 H
489268	(NJ0596-00) Buzzer, 12 volt	\$23.98 E
489333	(NJ0524-00) Switch	\$107.98 LQ

SeaStar Power Takeoff Cable Assembly



- The power takeoff cable assembly consist of the following items.

Order No.	Mfg. No. / Description	Price
494120	(CPTOX30) 30' Cable	\$578.98 Q
649509	(SA-27314P) Clevis Kit - Stainless Steel with Short Bolt	\$49.98 F
649371	(SA-27055P) Clamp Block Assembly - Corrosion Resistant	\$116.98 Q
649447	(SA-27274P) Support Tube - Aluminum	\$26.98 F



Components for SeaStar KE-4 Electronic Control System



Needed to Install KE-4 System

Name	Part No.	Required								Note
		Single Engines No. of Station				Two Engines No. of Station				
		1st	2nd	3rd	4th	1st	2nd	3rd	4th	
Control Head - Gold	NM0511-00	1	2	3	4	-	-	-	-	
	NM0510-00	-	-	-	-	1	2	3	4	
Control Head - Chrome	NM0534-00	1	2	3	4	-	-	-	-	
	NM0533-00	-	-	-	-	1	2	3	4	
Control Unit										
24V Model	NM0478-00	1	1	1	1	2	2	2	2	
12V Model	NM0477-00	1	1	1	1	2	2	2	2	
Actuator	NM0165-00	1	1	1	1	2	2	2	2	
Communication Harness										
5m	NM0619-05	-	-	-	-	1	1	1	1	
Harness Remote Control										
4m	NM0616-04	1	2	3	4	2	4	6	8	For length other than those listed in the left, consult your dealer.
6m	NM0616-06	1	2	3	4	2	4	6	8	
8m	NM0616-08	1	2	3	4	2	4	6	8	
10m	NM0616-10	1	2	3	4	2	4	6	8	
12m	NM0616-12	1	2	3	4	2	4	6	8	
14m	NM0616-14	1	2	3	4	2	4	6	8	
16m	NM0616-16	1	2	3	4	2	4	6	8	
18m	NM0616-18	1	2	3	4	2	4	6	8	
20m	NM0616-20	1	2	3	4	2	4	6	8	
22m	NM0616-22	1	2	3	4	2	4	6	8	
24m	NM0616-24	1	2	3	4	2	4	6	8	
26m	NM0616-26	1	2	3	4	2	4	6	8	
28m	NM0616-28	1	2	3	4	2	4	6	8	
30m	NM0616-30	1	2	3	4	2	4	6	8	
32m	NM0616-32	1	2	3	4	2	4	6	8	
34m	NM0616-34	1	2	3	4	2	4	6	8	
36m	NM0616-36	1	2	3	4	2	4	6	8	
38m	NM0616-38	1	2	3	4	2	4	6	8	
40m	NM0616-40	1	2	3	4	2	4	6	8	
50m	NM0616-50	1	2	3	4	2	4	6	8	
Harness Power Supply										
5m	NM0414-28	2	2	2	2	4	4	4	4	
10m	NM0414-33	2	2	2	2	4	4	4	4	
Circuit Breaker										
20A	NJ0514-00	2	2	2	2	4	4	4	4	Option
Buzzer										
24V Model	NJ0515-00	1	2	3	4	2	4	6	8	Option
12V Model	NJ0251-00	1	2	3	4	2	4	6	8	
Cable										
	33C	2	2	2	2	4	4	4	4	Specify the Length
	33C	2	2	2	2	4	4	4	4	
	Supreme	2	2	2	2	4	4	4	4	
Mechanical Control Head										
	Use SeaStar Standard Control Head	1	1	1	1	2	2	2	2	
Cable (Cable for Manual Operation)										
	33C	2	2	2	2	4	4	4	4	Option Specify the Length
	33C	2	2	2	2	4	4	4	4	
	Supreme	2	2	2	2	4	4	4	4	

Fun & Flotation

Anchor & Dock

Safety

Electronics

Trolling Motors

Lighting

Electrical

Topside Acc.

Cockpit & Deck

Instruments

Steering, Controls

Perform.

Fuel System

Engine & Parts

Engine Care

Propellers

Seating & Pedestals

Tops & Covers

Pumps

Cleaning & Care

Paint & Paint Acc.

Hardware, Fasteners

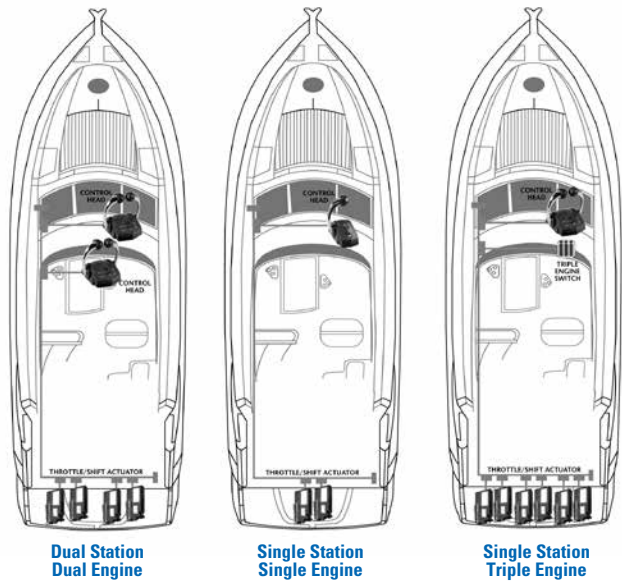
Trailering

Misc.

Comm.

- Fun & Flotation
- Anchor & Dock
- Safety
- Electronics
- Trolling Motors
- Lighting
- Electrical
- Topside Acc.
- Cockpit & Deck
- Instruments
- Steering, Controls**
- Perform.
- Fuel System
- Engine & Parts
- Engine Care
- Propellers
- Seating & Pedestals
- Tops & Covers
- Pumps
- Cleaning & Care
- Paint & Paint Acc.
- Hardware, Fasteners
- Trailer
- Misc.
- Comm.

SeaStar i6300 Electronic Control System



CONTROL HEAD STYLING:

- The i6300 control heads are ergonomically designed for maximum comfort and control.
- Available with or without trim switches, they each also include easily adjustable drag and detent to suit the operators preference.
- The new i6300 delivers precise control of a boat's shift and throttle functions, thanks to SeaStar's responsive and robust Shift and Throttle Actuators.
- Available in 12 or 24 volt versions, these actuators are linked to the control head with a single 1/4" CANbus cable - for easy routing and installation.
- With a single small cable connecting all control stations to the smart actuators, there is no longer a need for heavy, complex wiring harnesses associated with other electronic control systems.

APPLICATIONS:

- Suitable for all engines with mechanical shift and mechanical throttle.
- Single, Twin, Triple and Quad engine combinations.
- Inboards, OI's and Outboards. One or two station set-ups.

FEATURES:

- Multiple control head options/styles.
- Optional trim switch(es) on TE control heads.
- Drag adjustment standard on TE control heads.
- 12 and 24 volt versions available.
- Up to four engine capability.
- Light coded diagnostic information.
- Utilizes standard 33c type control cables - TFXtreme type recommended.
- Full power train synchronization standard on multi-engine applications.
- Built-in start in-gear protection.
- Neutral warm-up.
- Mechanical override "get home" feature.
- Meets or exceeds all applicable standards.

INFORMATION REQUIRED TO SPEC A SYSTEM:

- Number of Engines (1, 2, 3 or 4)
- Number of Stations
- Voltage (12 or 24 volt)
- Choice of Control Head Type (TE or KE)
- Choice of Control Head Color
- Trim Switch Required (yes or no) - not available on KE type
- Maximum distance from Actuators to Control Heads (in feet).

Select Appropriate Harness and Cable Lengths in feet for each Station and Engine (See diagrams):

- CE107XX Control Head to ECU
- CE101XX Shift Harness (ECU to Actuator)
- CE648XX Shift Cable (Actuator to Transmission)
- CE101XX Throttle Harness (ECU to Actuator)
- CE648XX Throttle Cable (Actuator to Transmission)
- i1001-XX Power Harness (Battery to ECU)
- CE201XX Battery Cable (Battery to ECU)
- CM100XX Communication Cable (ECU to ECU)

SeaStar i6300 Electronic Control Systems - Single Station



Order No.	Mfg. No. / Description	Price
489751	(i6311) 1 Station, 1 Engine	\$3,468.98 E
489763	(i6351) 1 Station, 1 Engine with Trim	\$3,548.98 E
489787	(i6352) 1 Station, 2 Engines with Trim	\$5,743.98 E
489799	(i6313) 1 Station, 3 Engines	\$7,658.98 E
489802	(i6353) 1 Station, 3 Engines with Trim	\$9,166.98 E

SeaStar i6300 Electronic Control Systems - Add-A-Station



Order No.	Mfg. No. / Description	Price
489838	(i6311A) Add-A-Station, 1 Engine	\$1,182.98 E
489840	(i6351A) Add-A-Station, 1 Engine with Trim	\$1,257.98 E
489864	(i6352A) Add-A-Station, 2 Engines with Trim	\$1,198.98 E
489876	(i6313A) Add-A-Station, 3 Engines	\$130.98 E
489888	(i6353A) Add-A-Station, 3 Engines with Trim	\$1,638.98 E

SeaStar i6300 Standard Systems - Single Station Kits and Add-A-Station Kits



DMI #	SeaStar #	Standard Systems - Single Station Kits	DMI #	489751	489763	489775	489787	489799	489802	(i6314)	(i6354)
			SeaStar #	(i6311)	(i6351)	(i6312)	(i6352)	(i6313)	(i6353)		
				Single Engine	Single Engine w/Trim	Dual Engine	Dual Engine w/Trim	Triple Engine	Triple Engine w/Trim	Quad Engine	Quad Engine w/Trim
Actuators											
489989	AC67052P	Actuator, Port (Single) Shift, Canbus		1	1		1	1	1	1	1
489977	AC67051P	Actuator, Port (Single) Throttle, Canbus		1	1	1	1	1	1	1	1
489995	AC67052S	Actuator, Starboard Shift, Canbus				1	1	1	1	1	1
489991	AC67051S	Actuator, Starboard Throttle, Canbus				1	1	1	1	1	1
490021	AC67052C	Actuator, Center Shift, Canbus						1	1	1	1
489999	AC67051C	Actuator, Center Throttle, Canbus						1	1	1	1
Control Heads											
490057	CHKCB67650B	Single Top Mount, Control Head Kit (Black)		1							
490069	CHKCB67651B	Single Top Mount, Control Head Kit with Trim (Black)			1						
490083	CH67550B	Dual Top Mount Control Head (Black)				1					
490095	CH67551B	Dual Top Mount Control Head with Trim (Black)					1				
490111	CHKCB67581B	Dual Top Mount Control kit for Triples with Trim (Black)							1		
Spec. Ord.	CHKCB67590B	Dual Top Mount Control kit for Quads (Black)								1	
Spec. Ord.	CHKCB67591B	Dual Top Mount Control kit for Quads with Trim (Black)									1
Power Module (i1003)											
489915	i1003	Power Module		1	1	2	2	3	3	4	4
Harnesses/Tees											
489927	CE20425	Power Harness, 25'		1	1	2	2	3	3	4	4
489965	CM20001	NMEA Micro-Tee Kit for Dual Engine		1	1	1	1	1	1	1	1
489953	CM10060	Micro-Tee Adapter		1	1	3	3	5	5	7	7
489939	CM10030	Communication Cable, Extension, M/F 30'		1	1	1	1	1	1	1	1
489941	CM10003	Micro Cable, Ext, M/F, 3'				1	1	2	2	3	3
Manuals											
490149	MANOP6300SEM01	Operations Manual - Single		1	1						
490150	MANOP6300DEM01	Operations Manual - Dual				1	1				
490151	MANOP6300TEM01	Operations Manual - Triple & Quad						1	1	1	1
490152	QR6300SE	Quick Reference - Single Engine		1	1						
490153	QR6300DE	Quick Reference - Dual Engines				1	1				
490154	QR6300TE	Quick Reference - Triple Engine						1	1		
490155	QR6300QE	Quick Reference - Quad Engine								1	1
490148	MANIN6300M02	Installation Manual		1	1	1	1	1	1	1	1
DMI #	SeaStar #	Add-A-Station Kits	DMI #	489838	489840	489852	489864	489876	489888	(i6314A)	(i6354A)
			SeaStar #	(i6311A)	(i6351A)	(i6312A)	(i6352A)	(i6313A)	(i6353A)		
				Single Engine	Single Engine w/Trim	Dual Engine	Dual Engine w/Trim	Triple Engine	Triple Engine w/Trim	Quad Engine	Quad Engine w/Trim
Control Heads											
490057	CHKCB67650B	Single Top Mount, Control Head Kit (Black)		1							
490069	CHKCB67651B	Single Top Mount, Control Head Kit with Trim (Black)			1						
490083	CH67550B	Dual Top Mount Control Head (Black)				1					
490095	CH67551B	Dual Top Mount Control Head with Trim (Black)					1				
490111	CHKCB67581B	Dual Top Mount Control kit for Triples w/Trim (Black)							1		
Spec. Ord.	CHKCB67590B	Dual Top Mount Control kit for Quads (Black)								1	
Spec. Ord.	CHKCB67591B	Dual Top Mount Control kit for Quads w/Trim (Black)									1
Harnesses/Tees											
489953	CM10060	Micro-Tee Adapter		1	1	1	1	1	1	1	1
489939	CM10030	Communication Cable, Extension, M/F 30'		1	1	1	1	1	1	1	1

- Fun & Flotation
- Anchor & Dock
- Safety
- Electronics
- Trolling Motors
- Lighting
- Electrical
- Topside Acc.
- Cockpit & Deck
- Instruments
- Steering, Controls
- Perform.
- Fuel System
- Engine & Parts
- Engine Care
- Propellers
- Seating & Pedestals
- Tops & Covers
- Pumps
- Cleaning & Care
- Paint & Paint Acc.
- Hardware, Fasteners
- Trailering
- Misc.
- Comm.

ZF Mathers MicroCommander Electronic Engine Controls



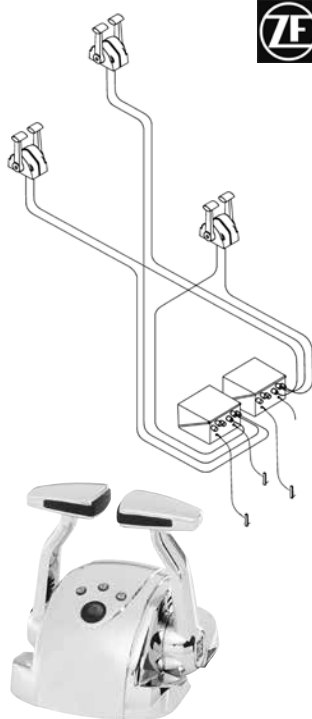
455232



455226



455239



455231

• Cost competitive with hydraulic systems and the price is lower than pneumatic systems.

CONTROLS ANY ENGINE:

- Gas or diesel inboards, I/O's or outboards.
- Dual control available for twin engine boats.
- Easy to install or retrofit.
- Step-by-step instructions are available.
- Each system consist of: One actuator per engine, one single or dual control lever per station, one multiconductor cable per station, per engine, one power unit: 12 VDC 10 amp circuit per shaft and standard 33C push-pull cable and brackets for throttle and clutch connections.

MULTI-STATION CONTROL:

- One to five stations can be installed per actuator and stations can be added at any time.

EASY STATION TRANSFER:

- Only one station is active at a time.
- However, you can move from station to station & take control simply by pushing a transfer button.
- Each station has one.

CONTROL INDICATOR LIGHTS

- When the light is on, it indicates that particular station has control.
- The light at all other stations will be off.

HIGH AND LOW IDLE SETTINGS:

- Low is ideal for slow trolling.
- High, which is adjustable to as much as 10% of the full speed range, enhances starting and warming up the engine or docking and maneuverability in tight quarters.

BUILT-IN DENTENTS:

- These indicate "Neutral", "Ahead" and "Astern" lever positions.
- They are spring loaded, rolling detents that last a lifetime and provide a firm, smooth feel.

DOUBLE INTERLOCKED CONTROLS:

- To start the engine, operator must have controls in "on" mode, lever must be in neutral and it can be moved thru the ahead speed range to start and warm-up engine without engaging the clutch.
- Fast reversals are sequenced to protect the drive train and engine.

ENGINE ROOM ACTUATOR:

- The actuator is located in the engine area, is water resistant against water spray and can be mounted in any attitude.
- It houses the electronics and two servo motors, one for throttle and one for shift.
- It is connected to the engine throttle and shift levers by short 33C type cables.
- It is connected to the controls by an 8-conductor shielded electric cable.

- Fun & Flotation
- Anchor & Dock
- Safety
- Electronics
- Trolling Motors
- Lighting
- Electrical

Steering, Controls

Perform.

Fuel System

Engine & Parts

Engine Care

Propellers

Seating & Pedestals

Tops & Covers

Pumps

Cleaning & Care

Paint & Paint Acc.

Hardware, Fasteners

Trailer

Misc.

Comm.

Top Mount Controls

Order No.	Mfg. No. / Description	Price
455239	(3341002003) Black T Handle, Single	\$333.00 D
455226	(3341002004) Black T Lever, Dual	\$511.00 D
455228	(3341002007) Black with Chrome Lever, Dual	\$711.00 D
455232	(3341004002) Black Powder Coated, Dual	\$1,227.00 D
455234	(3341004003) Black with Chrome Lever	\$1,253.00 D
455231	(3341004004) Chrome, Dual	\$1,410.00 D

Connection Cables

• Sold per foot.

Order No.	Mfg. No. / Description	Price
455252	(00350) 8-Conductor Connection Cable, 500'	\$1.80/ft. LQ
455249	(20-8CSTRTCOA) 8-Conductor Connection Cable, 1,000'	\$1.63/ft. D
455265	(00349) Power Supply Wire, 14/2 Red/Black	\$2.66/ft. A

Accessories



Order No.	Mfg. No. / Description	Price
455283	(1122H) Relay 24 volt	\$306.00 LQ
455484	(0501333437) Circuit Breaker, 10 amp	\$118.00 A
698021	10 amp Circuit Breaker	\$14.98 E
455533	(19372-124-K) Fuse ETF-3, 15 amp	\$4.50 B

Control Actuator

• Order connection cable and 33C type cables separately.

Order No.	Mfg. No. / Description	Price
455214	(3340004073) Actuator, MicroCommander	\$2,610.00 D

ZF Mathers Accessories

Order No.	Mfg. No. / Description	Price
455164	(3340180005) Cable Grip, 3/4"	\$5.98 A
455176	(NP-11) Cable Grip Nut, 3/4"	\$1.03 LQ
455224	(3341002016) Single Chrome Handle with Knob	\$428.00 D
483317	(AT11-1001) Air Treatment Component Service Kit	\$88.00 B
483367	(AD12-5001) Air Drive Service Kit	\$205.00 B
455407	(10232) Regulator	\$447.00 B
483521	(PA3-4201) Actuator Service Kit	\$190.00 B
453565	(SB06595) Alignment Disc	\$71.40 A
453574	(SB12261) Retractor Pin Kit	\$445.00 A

Order No.	Mfg. No. / Description	Price
453578	(SB07385) Brake Tool	\$50.00 A
455643	(COMP-4-SAFT) Lithium Battery	\$20.00 A
483468	(MG20-0200) Gauge Assembly, 0-100 Speed	\$167.00 B
483470	(MG21-0200) Gauge Assembly, 0-200 Ahead	\$167.00 B
483482	(MG21-0300) Gauge Assembly, 0-200 Astern	\$167.00 B
483494	(MG21-0400) Gauge Assembly, 0-200 Brake	\$167.00 B
483299	(6259-218) Microswitch for Press SW	\$36.00 LQ
483418	(CH5-5406) Overhaul Kit	\$300.00 B
483444	(CI-1074) Overhaul Kit Booster	\$278.00 B

ZF Mathers CruiseCommander



- CruiseCommand is a revolutionary control system for vessels with electronic engines and solenoid gears.
- CruiseCommand offers single lever control, four station capability and easy station transfer, station-in-command indicators, speed/shift sequence protection, neutral start interlock, high and low idle speed and audible and visual indicators.
- CruiseCommand features plug-in connections and an external keypad setup.
- The watertight enclosure never needs opening, making this a maintenance-free system.
- Built-in features include an LED troubleshooting display, synchronization and troll.
- Pluggable connections make installation nearly effortless.
- Determine cable length, engine and gear requirements, then plug in the system.
- Customized kits are provided to meet specific needs for production builders.
- An external keypad setup on the CruiseCommand enclosure makes configuring the controls easier than ever.
- Punch in a code and the processor makes the correct adjustments.
- Configurations can be changed at any time to meet new specifications.
- CruiseCommand's self-diagnostic software operates a multifunction LED display located on the front panel of each processor.
- This display allows for uncomplicated checking of battery voltage and clutch status for each engine, lever positions on each control head and multi-station transfer button status.
- CruiseCommand packs a lot of features into a small processor, including built-in troll and engine synchronization

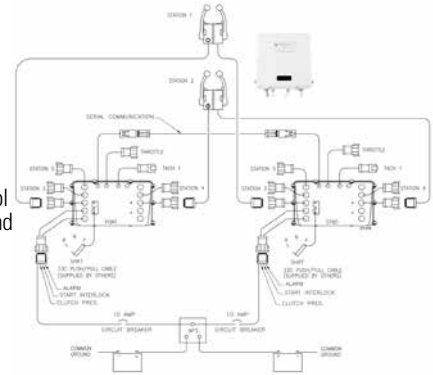
Order No.	Mfg. No. / Description	Price
455205	(3340002001) CruiseCommand Control Processor	\$2,297.00 D
700434	(APS-70) Automatic Power Selector	\$134.98 E

ZF Mathers 9000 Series MicroCommander and ClearCommand



Example of Twin Screw - 2 Station Electronic Throttle Mechanical Shift

Note: Multi Engine applications, consult factory for specific needs and requirements.



- A single-lever electronic control system designed for precise, instant control of mechanical engines and gears on yachts and commercial vessels.
- Designed for vessels utilizing mechanical and electronic throttle and shift combinations.
- Standard features on both products include an LED display which utilizes self diagnostic software.
- The LED display codes for setup or system status.
- All system functions are incorporated on one circuit board, allowing easy customization of features.
- Increased vessel efficiency is achieved with engine synchronization, standard on every 9000 Series processor.
- One lever synchronization is programmed into all processors and allows multi-engine control with one lever.
- The circuit board is conformal coated to protect against humidity, contamination, dust and dirt.
- Meets EMC, CE and current environmental standards as well as UL 1500 with built in ignition protection.
- IP rating 44.

Contact Your Salesman or Donovan Marine for Your Specific Needs.

Requirements:

- (2) Power/Start Interlock Wire Harness
- (4) Control Head Wire Harness
- (1) Serial Wire Harness - On Twin Engine Applications
- (2) Tachometer Feedback Wire Harness - Synch Applications Only
- (2) 92102 Processors
- (1) APS - Automatic Power Selector
- (2) 10 AMP Circuit Breaker
- (2) 33C Push-Pull Cable (Supplied by Others)
- (2) Throttle Harness

Order No.	Mfg. No. / Description	Price
455219	(3340004007) Engine, Electronic, Clutch, Solenoid	\$2,986.00 C
455229	(3340004048) Engine, Servo 2, Clutch, Servo 1	\$3,050.00 D
455238	(3341002027) Single Black T-Lever Control	\$333.00 D
455475	(3340004011) Electronic Throttle/Shift	\$4,362.00 D
645756	(E1H-H500) Pressure Switch	\$148.98 C
455217	(3340004025) ClearCommand, Electronic Throttle, Mechanical	\$2,622.00 D
455222	(3340004014) ClearCommand, 4st Pluggable	\$3,381.00 C
455478	(3340004010) ClearCommand, Electronic Throttle/Shift	\$4,427.00 D

ZF Mathers Accessories

Order No.	Mfg. No. / Description	Price
483503	(14512) Transfer Panel Dimmer ABS	\$490.00 LQ
483519	(PA1-1501) Positioner Service Kit	\$73.00 B
483533	(PA3-4100) Service Kit	\$190.00 B
483537	(RV5-1500-2) Relay Valve	\$1,040.00 B
483545	(RV5-1601) Relay Valve Service Kit	\$50.00 B
483557	(RV8-1601) Relay Valve Service Kit	\$68.00 B
483560	(SB20-1601) Repair Kit	\$749.00 B
483569	(SB06652) Reline Kit, Caliper	\$636.00 B
483570	(SB12260) Piston Kit	\$406.00 B
483608	(SRK-QE45) Quick Exhaust Service Kit	\$49.00 B
483343	(AD12-2301) Spool Valve Speed Interrupt	\$238.00 B
483381	(CH5-5402) Update/Overhaul Kit	\$275.00 B
483646	(VS2-1001) Service Kit for Shuttle	\$19.00 B

Order No.	Mfg. No. / Description	Price
483634	(VS2-1000) Shuttle Valve	\$66.00 B
483329	(AD12-2101) Spool Valve Clutch	\$365.00 B
483420	(CI-1038) Spool Valve Service Kit	\$50.00 B
483610	(SV2-3501) Spool Valve Service Kit	\$42.00 B
483331	(AD12-2201) Spool Valve Supply	\$430.00 B
483498	(MS568-13838) Throttle ClearCommand ABS	\$2,025.00 LQ
453566	(15719-40) Wire Harness	\$258.00 LQ
483501	Wire Harness	\$145.00 LQ
483500	(13408-10) Wire Harness	\$125.00 LQ
455220	(96202) ClearCommand - Elect Eng, Sol Gear	\$3,189.00 C
455255	(334118000501) 4200 Ct Head Kit	\$1,514.00 M
455481	(12776) Potentiometer Feed Back	\$545.00 A

- Fun & Flotation
- Anchor & Dock
- Safety
- Electronics
- Trolling Motors
- Lighting
- Electrical
- Topside Acc.
- Cockpit & Deck
- Instruments
- Steering, Controls
- Perform.
- Fuel System
- Engine & Parts
- Engine Care
- Propellers
- Seating & Pedestals
- Tops & Covers
- Pumps
- Cleaning & Care
- Paint & Paint Acc.
- Hardware, Fasteners
- Trailering
- Misc.
- Comm.

Steering and Controls Data Sheet

Please Provide As Much Information As Possible

Company Name: _____

Phone Number: _____ Contact: _____

Hull Dimensions: Length _____ Beam _____ Draft _____

Hull Type (check one): Displacement _____ Planning _____

Weight _____ Max. Speed (knots) _____

Use of Vessel: _____

(Sportfisherman, Tug Boat, Shrimper, etc.)

Engine(s): Quantity _____ Horsepower (each) _____

Reduction Gear Ratio: _____ :

Propeller Shaft: Diameter: _____ Length: _____

Propeller(s) Size: Diameter: _____ X Pitch: _____

Number of Blades _____

Number of Steering Stations: _____

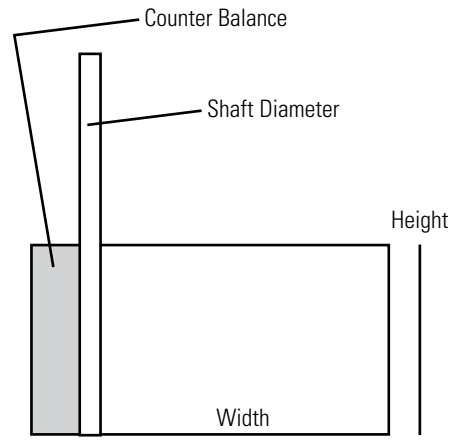
Rudder(s) Size: Length _____ X Height _____

Shaft Diameter _____ Counter Balance _____

Number of Rudders: _____

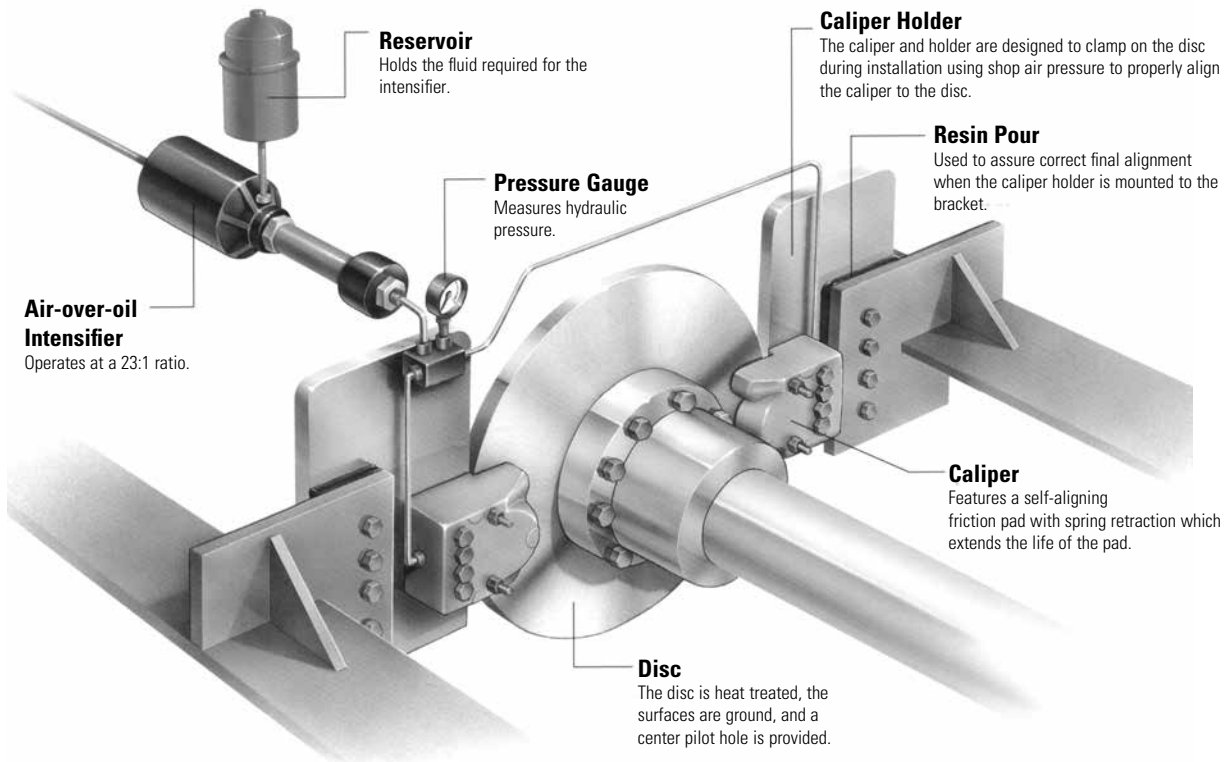
Maximum Rudder Angle: _____ °

Special Notes:



- Fun & Flotation
- Anchor & Dock
- Safety
- Electronics
- Trolling Motors
- Lighting
- Electrical
- Topside Acc.
- Cockpit & Deck
- Instruments
- Steering, Controls**
- Perform.
- Fuel System
- Engine & Parts
- Engine Care
- Propellers
- Seating & Pedestals
- Tops & Covers
- Pumps
- Cleaning & Care
- Paint & Paint Acc.
- Hardware, Fasteners
- Trailer
- Misc.
- Comm.

ZF Mathers Propeller Shaft Brakes



Air-over-oil Intensifier
Operates at a 23:1 ratio.

Reservoir
Holds the fluid required for the intensifier.

Pressure Gauge
Measures hydraulic pressure.

Caliper Holder
The caliper and holder are designed to clamp on the disc during installation using shop air pressure to properly align the caliper to the disc.

Resin Pour
Used to assure correct final alignment when the caliper holder is mounted to the bracket.

Caliper
Features a self-aligning friction pad with spring retraction which extends the life of the pad.

Disc
The disc is heat treated, the surfaces are ground, and a center pilot hole is provided.

Price On Request

- Mathers ShaftBrakes are designed to provide maximum drive train protection and faster, more precise maneuvering and control.
- Masters ShaftBrakes are recommended for use with any marine propulsion system using engines over 500 horsepower with reduction ratios of 4:1 or greater.

Brake Model	Disc Size	Number of Calipers	Torque
SB30-06612	1-3/8" x 24" Dia.	1	110,000 lbs.
SB31-06613	1-3/8" x 24" Dia.	2	220,000 lbs.
SB32-07390	1-3/8" x 30" Dia.	1	145,000 lbs.
SB32-06614	1-3/8" x 30" Dia.	2	290,000 lbs.
SB33-06615	1-3/8" x 36" Dia.	2	355,000 lbs.
SB36-07638	1-3/8" x 42" Dia.	2	425,000 lbs.
SB34-07126	1-3/8" x 36" Dia.	3	530,000 lbs.
SB35-06616	1-3/8" x 36" Dia.	4	710,000 lbs.
SB36-06617	1-3/8" x 42" Dia.	4	850,000 lbs.
SB37-06618	1-3/8" x 48" Dia.	4	990,000 lbs.
SB38-07454	1-3/8" x 54" Dia.	4	1,200,000 lbs.
SB37-06619	1-3/8" x 48" Dia.	6	1,500,000 lbs.

Consider these benefits:

- Reduces vessel maneuvering time. A vessel's forward velocity will slow faster with a stopped propeller.
- Added life for reduction gears and clutches. ShaftBrakes stop the propeller shaft with every change of direction, automatically. ShaftBrakes absorb the load which would normally be transmitted to the engaging clutch, thus extending clutch life.
- When used with Mathers propulsion controls, will help prevent engine stall. Certain types of marine engines tend to stall during high speed maneuvers or emergency reversals. Mathers ShaftBrakes and Mathers Controls can prevent that from happening.
- Superior to drum type brakes. Both installation and servicing are easier and calipers can be relined for considerably less cost than can drum brake components. Also, calipers do not have boots, which are costly to replace on drum brakes.
- Mathers propeller ShaftBrakes use hydraulic actuated calipers which are self-adjusting and spring retracting to alleviate unnecessary pad wear.
- A complete ShaftBrake package consists of the disc, caliper holder(s), caliper(s), and control kit.

MPI Products Split Conduit Tubing



- Corrugated split polyethylene provides excellent conduit for multiple wire or cable routings.
- Creates quality appearance in wiring systems.
- 1-1/2".

Order No. Mfg. No. / Description Price
772043 (123-1126) Length 50' **\$86.98 H**

7 x 19 Aircraft Quality Cable - Running Rigging

- Preformed stainless steel aircraft cable.
- Corrosion resistant steel.
- Very flexible.
- Diameter 1/8".



Order No. Mfg. No. / Description Price
553328 (SC12579 7X19) Length 250' **\$445.98 LQ**



MPI Products Outboard Hose and Cable Cover



- High quality, crush resistant plastic offers excellent flexing properties and abrasion resistance.
- Material is resistant to bilge acids, fuel solutions and ultra violet rays.
- For all bracket mounted outboard motors.
- ID 2", bend radius 3".
- Black.

Order No. Mfg. No. / Description Price
641819 (127-2003) Length 10' **\$48.98 H**
641818 (127-2006) Length 50' **\$230.98 H**

- Fun & Flotation
- Anchor & Dock
- Safety
- Electronics
- Trolling Motors
- Lighting
- Electrical
- Topside Acc.
- Cockpit & Deck
- Instruments
- Steering, Controls**
- Perform.
- Fuel System
- Engine & Parts
- Engine Care
- Propellers
- Seating & Pedestals
- Tops & Covers
- Pumps
- Cleaning & Care
- Paint & Paint Acc.
- Hardware, Fasteners
- Trailering
- Misc.
- Comm.

SeaStar OMC Control Cables - 400 Series



- Control cables specifically made for the marine environment to meet or exceed all industry standards are offered in a broad selection to fit all popular engine and boat requirements.
- Shift and throttle cables are measured overall in inches and roundup to next foot.
- Stainless steel core wire with stainless steel and brass fittings.
- **OMC 400 - CC170 (Pre-1979).**

Order No.	Description	Price	Order No.	Description	Price
648088	Length 7'	\$32.98 Q	648141	Length 13'	\$36.98 Q
648090	Length 8'	\$33.98 Q	648153	Length 14'	\$37.98 Q
648103	Length 9'	\$33.98 Q	648165	Length 15'	\$38.98 Q
648115	Length 10'	\$34.98 Q	648177	Length 16'	\$38.98 Q
648127	Length 11'	\$34.98 Q	648189	Length 17'	\$40.98 Q
648139	Length 12'	\$35.98 Q	648191	Length 18'	\$41.98 Q

SeaStar OMC XTREME Control Cables



- Unique design incorporates a patent-pending splined-core which allows easy movement and minimum lost motion.
- Designed for complex and/or long cable runs (or to simply create a superior feel) Simply the best cable in the business.
- Ideal for foot throttle applications on performance boats/bass boats.
- **CCX205 - For (1979 - current) BRP, OMC and Johnson/Evinrude controls and engines.**

Order No.	Description	Price	Order No.	Description	Price
495440	Length 6'	\$40.98 Q	495475	Length 16'	\$52.98 Q
495442	Length 7'	\$42.98 Q	495487	Length 18'	\$54.98 Q
495444	Length 8'	\$43.98 Q	495499	Length 20'	\$57.98 Q
495446	Length 9'	\$45.98 Q	495502	Length 22'	\$64.98 Q
495449	Length 10'	\$46.98 Q	495506	Length 26'	\$70.98 Q
495451	Length 12'	\$47.98 Q	495508	Length 28'	\$73.98 Q
495463	Length 14'	\$49.98 Q			

SeaStar Mercury Generation II Control Cables



- Control cables specifically made for the marine environment to meet or exceed all industry standards are offered in a broad selection to fit all popular engine and boat requirements.
- Shift and throttle cables are measured overall in inches and roundup to next foot.
- Stainless steel core wire with stainless steel and brass fittings.
- **CC189 - For Mariner/Mercury/Mercruiser (2003 to date) 4000 Series Controls.**

Order No.	Description	Price	Order No.	Description	Price
647610	Length 10'	\$37.98 R	647616	Length 16'	\$42.98 R
8020381	Length 11'	\$39.98 H	8020387	Length 17'	\$44.98 H
647612	Length 12'	\$40.98 R	647618	Length 18'	\$43.98 R
8020383	Length 13'	\$41.98 H	647620	Length 20'	\$44.98 R
647614	Length 14'	\$41.98 R	647622	Length 22'	\$56.98 R
8020385	Length 15'	\$42.98 H	647624	Length 24'	\$62.98 R

SeaStar OMC Control Cables - 479 Series



- Control cables specifically made for the marine environment to meet or exceed all industry standards are offered in a broad selection to fit all popular engine and boat requirements.
- Shift and throttle cables are measured overall in inches and roundup to next foot.
- Engine connection kit included, attached to output end.
- Stainless steel core wire with stainless steel and brass fittings.
- **OMC 479 - CC205 (1979 and Later).**

Order No.	Description	Price	Order No.	Description	Price
648521	Length 10'	\$31.98 R	648595	Length 17'	\$37.98 R
648533	Length 11'	\$32.98 R	648608	Length 18'	\$38.98 R
648545	Length 12'	\$32.98 R	648610	Length 19'	\$38.98 R
648557	Length 13'	\$35.98 R	648622	Length 20'	\$39.98 R
648569	Length 14'	\$35.98 R	648634	Length 22'	\$59.98 R
648571	Length 15'	\$36.98 R	648636	Length 24'	\$60.98 R
648583	Length 16'	\$36.98 R			

Uflex MACH14 Control Cables



- MACH 14 (for BRP).
- For BRP - Evinrude (OMC) engines manufactured from 1979 to date.
- High efficiency for smooth operation.
- High flexibility for reduced bend radius.
- Ideal for long complex cable routings.
- Maintenance free.
- Stainless steel cables end fittings.
- High resistance blue outer jacket against abrasion, UV and chemicals.

Order No.	Description	Price	Order No.	Description	Price
8031310	Length 8'	\$34.98 E	8031345	Length 15'	\$43.98 E
8031315	Length 9'	\$36.98 E	8031350	Length 16'	\$44.98 E
8031320	Length 10'	\$37.98 E	8031355	Length 17'	\$46.98 E
8031325	Length 11'	\$38.98 E	8031360	Length 18'	\$47.98 E
8031330	Length 12'	\$39.98 E	8031365	Length 19'	\$48.98 E
8031335	Length 13'	\$41.98 E	8031370	Length 20'	\$49.98 E
8031340	Length 14'	\$42.98 E	8031375	Length 22'	\$52.98 E

SeaStar Mercury Generation II XTREME Control Cables



- Unique design incorporates a patent-pending splined-core which allows easy movement and minimum lost motion.
- Designed for complex and/or long cable runs (or to simply create a superior feel) Simply the best cable in the business.
- Ideal for foot throttle applications on performance boats/bass boats.
- **CCX189 - For Mercury Gen II (2003 to date) 4000 Series Controls.**

Order No.	Description	Price	Order No.	Description	Price
647626	Length 26'	\$72.98 R	647630	Length 30'	\$80.98 R

SeaStar Mercury/Mercruiser Control Cables - 600A Series



- Control cables specifically made for the marine environment to meet or exceed all industry standards are offered in a broad selection to fit all popular engine and boat requirements.
- Shift and throttle cables are measured overall in inches and roundup to next foot.
- Stainless steel core wire with stainless steel and brass fittings.
- **CC179 - For Mariner/Mercruiser (1965 to date); Force (1993 to date) with Mercury controls. All Mariner engines with Mercury/Mariner controls (except pre-1993 40 HP and lower models). All 1993 to date Force (US Marine) with Force/US Marine/Mercury controls.**

Order No.	Description	Price	Order No.	Description	Price
648684	Length 10'	\$30.98 R	648759	Length 17'	\$38.98 R
648696	Length 11'	\$31.98 R	648761	Length 18'	\$39.98 R
648709	Length 12'	\$32.98 R	648773	Length 19'	\$40.98 R
648711	Length 13'	\$33.98 R	648785	Length 20'	\$42.98 R
648723	Length 14'	\$35.98 R	648797	Length 22'	\$53.98 R
648735	Length 15'	\$36.98 R	648800	Length 24'	\$54.98 R
648747	Length 16'	\$37.98 R			

Uflex MACH5 Mercury Generation I Control Cables



- For Mercury, Mercruiser and Mariner over 50 HP.
- High efficiency for smooth operation. High flexibility for reduced bend radius.
- Ideal for long complex cable routings.
- Maintenance free. Stainless steel cables end fittings.
- High resistance blue outer jacket against abrasion, UV and chemicals.

Order No.	Description	Price	Order No.	Description	Price
8031405	Length 9'	\$36.98 E	8031435	Length 15'	\$43.98 E
8031410	Length 10'	\$37.98 E	8031440	Length 16'	\$44.98 E
8031415	Length 11'	\$38.98 E	8031445	Length 17'	\$46.98 E
8031420	Length 12'	\$39.98 E	8031450	Length 18'	\$47.98 E
8031425	Length 13'	\$41.98 E	8031455	Length 19'	\$48.98 E
8031430	Length 14'	\$42.98 E	8031460	Length 20'	\$49.98 E

SeaStar Mercury XTREME Control Cables



- Unique design incorporates a patent-pending splined-core which allows easy movement and minimum lost motion.
- Designed for complex and/or long cable runs (or to simply create a superior feel) Simply the best cable in the business.
- Ideal for foot throttle applications on performance boats/bass boats.
- **CCX179 - For 600A Mercury Gen I Series controls and engines.**

Order No.	Description	Price	Order No.	Description	Price
495150	Length 6'	\$40.98 Q	495184	Length 16'	\$52.98 Q
495151	Length 7'	\$42.98 Q	495196	Length 18'	\$55.98 Q
495152	Length 8'	\$43.98 Q	495209	Length 20'	\$57.98 Q
495153	Length 9'	\$44.98 Q	495212	Length 22'	\$63.98 Q
495158	Length 10'	\$45.98 Q	495214	Length 24'	\$66.98 Q
495160	Length 12'	\$47.98 Q	495216	Length 26'	\$69.98 Q
495172	Length 14'	\$49.98 Q	495218	Length 30'	\$77.98 Q

SeaStar Mariner Control Cables - 630 Series



- Control cables specifically made for the marine environment to meet or exceed all industry standards are offered in a broad selection to fit all popular engine and boat requirements.
- Shift and throttle cables are measured overall in inches and roundup to next foot.
- Stainless steel core wire with stainless steel and brass fittings.
- **Mariner 630 - CC210 (Pre-1993 40 HP and Less) with Mariner/Mercury controls.**

Order No.	Description	Price	Order No.	Description	Price
650724	Length 10'	\$45.98 G	8020410	Length 17'	\$57.98 H
8020404	Length 11'	\$49.98 H	650732	Length 18'	\$58.98 G
650726	Length 12'	\$48.98 G	650734	Length 20'	\$62.98 G
650728	Length 14'	\$51.98 G	650736	Length 22'	\$68.98 G
650730	Length 16'	\$54.98 G			

Fun & Flotation

Anchor & Dock

Safety

Electronics

Trolling Motors

Lighting

Electrical

Topside Acc.

Cockpit & Deck

Instruments

Steering, Controls

Perform.

Fuel System

Engine & Parts

Engine Care

Propellers

Seating & Pedestals

Tops & Covers

Pumps

Cleaning & Care

Paint & Paint Acc.

Hardware, Fasteners

Trailering

Misc.

Comm.

SeaStar Control Cables - 3300 Series



- For I/O's, inboards and outboards.
- Standard 3300 - CC230 - Control cables specifically made for the marine environment to meet or exceed all industry standards are offered in a broad selection to fit all popular engine and boat requirements.
- Stainless steel core wire with stainless fittings.
- 3" travel, 10-32 threads, 8" minimum bend radius.
- Clamp fittings at both ends.

SeaStar 3300CC XTREME Control Cables



- Unique design incorporates a patent-pending splined-core which allows easy movement and minimum lost motion.
- Designed for complex and/or long cable runs (or to simply create a superior feel) Simply the best cable in the business.
- Ideal for foot throttle applications on performance boats/bass boats.
- 3" travel, 10-32 threads, 4" minimum bend radius.
- Clamp fittings at both ends.
- **CCX633 - Universal type for Yamaha, Honda, Nissan, Suzuki, Tohatsu and other controls and engines.**

SeaStar 33C Red-Jaket Cables



- CC332 - Industry standard.
- 3" travel, 10-32 threads, 8" minimum bend radius.
- Clamp fittings at both ends.

Order No.	Description	Price	Order No.	Description	Price
647783	Length 10'	\$33.98 R	647858	Length 17'	\$39.98 R
647795	Length 11'	\$35.98 R	647860	Length 18'	\$40.98 R
647808	Length 12'	\$35.98 R	647872	Length 19'	\$42.98 R
647810	Length 13'	\$36.98 R	647884	Length 20'	\$42.98 R
647822	Length 14'	\$36.98 R	647896	Length 22'	\$45.98 R
647834	Length 15'	\$38.98 R	647909	Length 24'	\$46.98 R
647846	Length 16'	\$38.98 R			

Uflex MACHZero Control Cables



- MACHZero (3300 style).
- High efficiency for smooth operation. High flexibility for reduced bend radius.
- Ideal for long complex cable routings. Maintenance free.
- Stainless steel cables end fittings.
- High resistance blue outer jacket against abrasion, UV and chemicals.
- Stroke: 3.4". 10-32 thread.

Order No.	Description	Price	Order No.	Description	Price
8031050	Length 8'	\$35.98 G	8031110	Length 20'	\$59.98 G
8031055	Length 9'	\$37.98 G	8031115	Length 21'	\$61.98 G
8031060	Length 10'	\$39.98 G	8031120	Length 22'	\$63.98 G
8031065	Length 11'	\$41.98 G	8031130	Length 24'	\$67.98 G
8031070	Length 12'	\$43.98 G	8031140	Length 26'	\$71.98 G
8031075	Length 13'	\$45.98 G	8031150	Length 28'	\$75.98 G
8031080	Length 14'	\$47.98 G	8031160	Length 30'	\$79.98 G
8031085	Length 15'	\$49.98 G	8031165	Length 32'	\$84.98 G
8031090	Length 16'	\$51.98 G	8031170	Length 34'	\$100.98 G
8031095	Length 17'	\$53.98 G	8031175	Length 36'	\$105.98 G
8031100	Length 18'	\$55.98 G	8031180	Length 38'	\$110.98 G
8031105	Length 19'	\$57.98 G	8031185	Length 40'	\$116.98 G

Uflex C8 Standard Control Cables



- High efficiency for smooth operation.
- High flexibility for reduced bend radius.
- Ideal for long complex cable routings.
- Maintenance free.
- Stainless steel cables end fittings.
- Stroke: 3.4". 10-32 thread (like C8 & 3300)

Order No.	Description	Price	Order No.	Description	Price
8031200	Length 4'	\$25.98 E	8031245	Length 13'	\$29.98 E
8031205	Length 5'	\$25.98 E	8031250	Length 14'	\$30.98 E
8031210	Length 6'	\$25.98 E	8031255	Length 15'	\$31.98 E
8031215	Length 7'	\$26.98 E	8031260	Length 16'	\$31.98 E
8031220	Length 8'	\$26.98 E	8031265	Length 17'	\$32.98 E
8031225	Length 9'	\$27.98 E	8031270	Length 18'	\$32.98 E
8031230	Length 10'	\$27.98 E	8031275	Length 19'	\$33.98 E
8031235	Length 11'	\$28.98 E	8031280	Length 20'	\$34.98 E
8031240	Length 12'	\$29.98 E			

- Fun & Flotation
- Anchor & Dock
- Safety
- Electronics
- Trolling Motors
- Lighting
- Electrical
- Topside Acc.
- Cockpit & Deck
- Instruments
- Steering, Controls
- Perform.
- Fuel System
- Engine & Parts
- Engine Care
- Propellers
- Seating & Pedestals
- Tops & Covers
- Pumps
- Cleaning & Care
- Paint & Paint Acc.
- Hardware, Fasteners
- Trailing
- Misc.
- Comm.

SeaStar XTREME Control Cables - 4300 CC Series



- Xtreme's unique breakthrough design assures incredible smoothness and efficiency with hardly any lost motion even in the longest and most complex cable routings!
- This means superior feel at the control, in any boat . . . performance that until now was considered impossible.
- 3" travel, 1/4"-28 threads, 5" minimum bend radius. Clamp fittings at both ends.
- Replaces 43C supreme cables.
- CCX433 - Universal type cables.

Order No.	Description	Price	Order No.	Description	Price
648848	Length 6'	\$81.98 G	648975	Length 32'	\$137.98 G
648850	Length 8'	\$85.98 G	648989	Length 34'	\$141.98 G
648862	Length 10'	\$89.98 G	648999	Length 36'	\$148.98 G
648874	Length 12'	\$97.98 G	649004	Length 38'	\$151.98 G
648888	Length 14'	\$100.98 G	649016	Length 40'	\$155.98 G
648898	Length 16'	\$104.98 G	649029	Length 42'	\$160.98 G
648901	Length 18'	\$108.98 G	649030	Length 44'	\$164.98 G
648913	Length 20'	\$112.98 G	649043	Length 46'	\$168.98 G
648926	Length 22'	\$116.98 G	649054	Length 48'	\$174.98 G
648937	Length 24'	\$119.98 G	649067	Length 50'	\$178.98 G
648948	Length 26'	\$123.98 G	649078	Length 52'	\$183.98 G
648951	Length 28'	\$131.98 G	649081	Length 56'	\$202.98 G
648962	Length 30'	\$134.98 G	649092	Length 60'	\$238.98 G

SeaStar XTREME Control Cables - 6400 Series



- Unique design incorporates a patent-pending splined-core which allows easy movement and minimum lost motion.
- Designed for complex and/or long cable runs (or to simply create a superior feel) Simply the best cable in the business.
- Ideal for foot throttle applications on performance boats/bass boats.
- **CCX643 - 4" travel, 5/16"-24 threads, 8" minimum bend radius.**
- Clamp fittings at both ends.

Order No.	Description	Price	Order No.	Description	Price
493700	Length 10'	\$169.98 Q	493748	Length 14'	\$184.98 Q
493724	Length 12'	\$179.98 Q			

SeaStar Cable Fittings



Order No.	Mfg. No. / Description	Price
491150	(032010) Cable Clamp (2 Holes) for 33C Series	\$6.98 R
494067	(047641) Stop Pivot for 33C Series, 1/4"	\$29.98 Q
494081	(037664) Conduit Clamp for 33C Series	\$8.98 Q
494079	(037693) Stop Collar for 33C Series	\$14.98 Q

Uflex C22 Standard Control Cables



- C22 Universal Engine Control Cable (4300 style).
- Stainless steel clamp fittings.
- Recommended for heavy duty applications.
- Stroke: 3.1"
- 1/4-28 thread.

Order No.	Description	Price	Order No.	Description	Price
8020106	Length 6'	\$85.98 G	8020132	Length 32'	\$150.98 G
8020108	Length 8'	\$89.98 G	8020134	Length 34'	\$166.98 G
8020110	Length 10'	\$93.98 G	8020136	Length 36'	\$182.98 G
8020112	Length 12'	\$97.98 G	8020138	Length 38'	\$198.98 G
8020114	Length 14'	\$101.98 G	8020140	Length 40'	\$214.98 G
8020116	Length 16'	\$105.98 G	8020142	Length 42'	\$231.98 G
8020118	Length 18'	\$109.98 G	8020144	Length 44'	\$247.98 G
8020120	Length 20'	\$113.98 G	8020146	Length 46'	\$263.98 G
8020122	Length 22'	\$117.98 G	8020148	Length 48'	\$279.98 G
8020124	Length 24'	\$121.98 G	8020150	Length 50'	\$295.98 G
8020126	Length 26'	\$125.98 G	8020152	Length 52'	\$312.98 G
8020128	Length 28'	\$129.98 G	8020156	Length 56'	\$344.98 G
8020130	Length 30'	\$134.98 G	8020160	Length 60'	\$376.98 G

SeaStar 33LV Vernier Cables



- Great for throttles or other applications where precise control is desired.
- Push the button for fast easy setting of approximate position, then turn the knob for micro adjustment.
- Positive, adjustable brake maintains settings regardless of vibration or governor back pressure.
- Release button for quick adjustment and fast shutdown.
- Cable only (Fig. 307141-000), order head below (Fig. 307941-003).

Order No.	Mfg. No. / Description	Price
494006	(CC34505) Length 5' 33LV Cable Only	\$44.98 G
494030	(CC34510) Length 10' 33LV Cable Only	\$53.98 G
494056	(CC34520) Length 20' 33LV Cable Only	\$82.98 G

ORDER ONE HEAD FOR EACH CABLE ORDERED FOR NEW APPLICATION

Order No.	Mfg. No. / Description	Price
493992	(317310) Head Only	\$82.98 Q

- Fun & Flotation
- Anchor & Dock
- Safety
- Electronics
- Trolling Motors
- Lighting
- Electrical
- Topside Acc.
- Cockpit & Deck
- Instruments
- Steering, Controls
- Perform.
- Fuel System
- Engine & Parts
- Engine Care
- Propellers
- Seating & Pedestals
- Tops & Covers
- Pumps
- Cleaning & Care
- Paint & Paint Acc.
- Hardware, Fasteners
- Trailering
- Misc.
- Comm.

- Fun & Flotation
- Anchor & Dock
- Safety
- Electronics
- Trolling Motors
- Lighting
- Electrical
- Topside Acc.
- Cockpit & Deck
- Instruments
- Steering, Controls
- Perform.
- Fuel System
- Engine & Parts
- Engine Care
- Propellers
- Seating & Pedestals
- Tops & Covers
- Pumps
- Cleaning & Care
- Paint & Paint Acc.
- Hardware, Fasteners
- Trailer
- Misc.
- Comm.

SeaStar Engine Connection Kits



- These kits provide control cable connection hardware, either for cable to engine/transmission or for cable to control unit.

ENGINE-SPECIFIC CONNECTION KITS FOR OEM CABLES

- For 1973-1978 OMC OEM ("400" type) cables with bare wire ends.
- Note: Included clip is not used on stern drives.

Order No.	Mfg. No. / Description	Price
649220	(CA27208P) E/J O/B Kit, 35 HP and Less	\$66.98 LQ
649232	(CA27247P) E/J O/B Kit, Over 35 HP and OMC Sterndrive, All	\$24.98 Q

ENGINE-SPECIFIC CONNECTION KITS FOR 3300/33C CABLES

Order No.	Mfg. No. / Description	Price
649244	(CA27320P) E/J O/B Kit, 1979 - Date, OMC Sterndrive, All	\$25.98 Q
649256	(CA27321P) E/J O/B Kit, Pre 1979	\$36.98 Q
491720	(CA27319P) Mer O/B Kit 1965 - Date, Mer Sterndrive, All	\$28.98 Q

SeaStar Cable Adapter Kit



- Use with 33C Cable.

Order No.	Mfg. No. / Description	Price
491706	(301729) Johnson/Evinrude	\$40.98 Q

SeaStar Outboard and I/O Cable Connection Kits



Chrysler	Kit Number	Cable
1975 and Later	300465	33C (Two Cables)
Evinrude/Johnson		
55-235 HP, 1978 to date	491706 (301729)	33C (Two Cables)
25 thru 40 HP, Up thru 1985	041652	Type "O" (Two Cables)
	035640	33C (Two Cables)
50 HP & Over, 1973 & Later	068086	Type "O" (Two Cables)
9.9 & 15 HP, 1974 & Later	301543, plus OMC kit also required	33C (Two Cables)
Mercury		
40-300 HP	301901	33C (Two Cables)
Mercuriser I/O and OMC Sterndrive		
Mercuriser I/O	302123	33C (Two Cables)
OMC Sterndrive	300557	33C (Two Cables)

SeaStar Pre-Engineered Clutch Connection Kits



	For Dual Station 3300/33C Cables	For Dual Station 4300/43C Cables	To Convert from 3300/33C Dual Station to 4300/43C Dual Station, Add:
Borg Warner			
70, 71 and 72 Inline with Red Gear, Rear Entry	301474	301474	300665
71C & 72C Drop Center Front Entry	-	-	300665
Capital			
12400, 2, 3 and 4 HD and HE	036680	036680	040773
Paragon			
HF-7	036680	036680	040773
Twin Disc			
MG 508, 509, 510, 510A, 512, 514C	042577	N/A	300665
514CHP, 518, 521, 527, 530 and 540			
MG502, 506 and 507	063696	N/A	300665

SeaStar Special Ordered Pre-Engineered Throttle Connection Kits



	For Single Station 3300/33C Cables	For Dual Station 4300/43C Cables	To Convert from 3300/33C Dual Station to 4300/43C Dual Station, Add:
Caterpillar			
334, 3304 and 3306	036680	036680	040773
343, 3406 and 3408	036680	036680	040773
Cummins			
All with MVSGOV	036680	036680	040773
V, VT, KT, KTA 1975 - Up	300580	300580	300665
General Motors			
3, 4 and 6-71 with Var. Spd. Gov.	N/A	N/A	300665
6, 8 and 12 V-71, 6 and 8 V-92 with Var. Spd. Gov.	N/A	N/A	300665
2, 3 and 4-53 with Left and Right Hand Gov.	036680	036680	040773
GV-53 Rear and Front Entry	036680	036680	040773
6 and 8V-71 Front Entry Shutdown Kit	036680	036680	040773
Universal			
Atomic 4	036680	036680	040773
Atomic 1 and 2 63C Clutch and 33C Throttle	036680	036680	040773

These Connection Kits are Special Order Only!

SeaStar Control Cable Fittings and Hardware

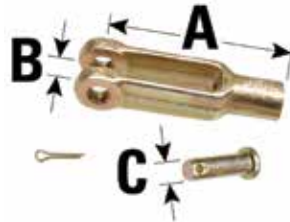
SeaStar Ball Joint Kits (Complete with Nut and Lockwasher)



Quick-Release Type

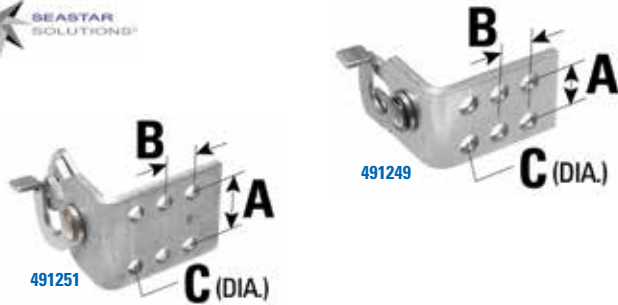
DMI #	MFG #	Description	Series	A	B	C	Price
490678	(031126)	Quick-Release Type	33C	31/32"	9/16"	1/4"-28	\$16.98 Q
490665	(031799-001)	Quick-Release Type	33C	29/32"	7/16"	10-32	\$17.98 Q
490688	(035242)	Quick-Release Type	33C	1-1/8"	7/8"	5/16"-24	\$58.98 Q
490729	(029104)	Quick-Release Type	4300	31/32"	9/16"	1/4"-28	\$26.98 Q
490716	(032267)	Quick-Release Type	4300	31/32"	7/8"	5/16"-24	\$28.98 Q
490751	(029108)	Quick-Release Type	6400	1-1/8"	7/8"	5/16"-24	\$47.98 Q
490766	(CA28021P)	Solid Type	6400	1-1/8"	3/4"	5/16"-24	\$19.98 LQ

SeaStar Clevis Kits



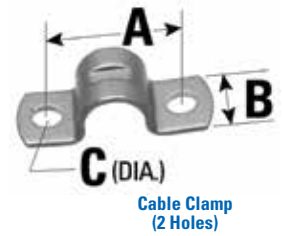
DMI #	MFG #	Description	Series	A	B	C	Price
490828	(031125)	Clevis	33C	2"	9/32"	1/4"	\$19.98 Q
490817	(031800)	Clevis	33C	1-9/16"	3/16"	3/16"	\$19.98 Q
490855	(029025)	Clevis	4300	2"	9/32"	1/4"	\$21.98 Q
490919	(029132-001)	Clevis	6400	2-1/4"	11/32"	5/16"	\$22.98 Q
490932	(042034)	Clevis	6400	2-1/2"	7/16"	3/8"	\$41.98 Q

SeaStar Cable Hook Clips



DMI #	MFG #	Description	Series	A	B	C	Price
491249	(036174)	Single Cable Hook Clip	33C	1/2"	3/8"	13/64"	\$14.98 Q
491251	(035531)	Dual Cable Hook Clip	33C	3/4"	3/8"	13/64"	\$38.98 Q

SeaStar Cable Clamps and Shims



Cable Clamp (2 Holes)



491214

DMI #	MFG #	Description	Series	A	B	C	Price
491163	(031509)	Cable Clamp, 2 Holes	33C	1"	1/2"	12/64"	\$2.04 R
491150	(032010)	Cable Clamp, 2 Holes	33C	7/8"	1/2"	3/16"	\$6.98 R
491175	(031532)	Cable Clamp, 2 Holes	4300	1"	1/2"	7/32"	\$3.30 R
491187	(021227)	Cable Clamp, 4 Holes	4300	1"	1-1/4"	3/4"	\$16.98 Q
491214	(031538)	Shim for 491163 and 491175	1"	1/2"	13/64"	\$1.85 R	
491198	(037885)	Cable Clamp & Shim	6400	1-1/4"	3/4"	9/32"	\$11.98 Q

SeaStar Pivots



DMI #	MFG #	Description	Series	A	B	C	Price
490983	(031029)	Pivot	33C	1/4"	7/16"	5/8"	\$12.98 Q
490994	(031539)	Pivot	33C	1/4"	7/16"	23/32"	\$16.98 R
491011	(039890)	Pivot	33C	1/4"	7/16"	15/16"	\$23.98 Q
491047	(031537)	Pivot	4300	1/4"	1/2"	7/8"	\$16.98 Q
491036	(039110)	Pivot	4300	1/4"	7/16"	3/4"	\$15.98 R

SeaStar Terminal Eyes

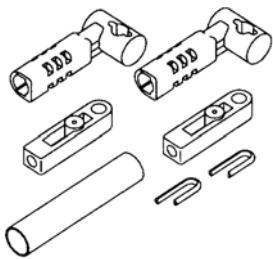


491136

DMI #	MFG #	Description	Series	A	B	C	Price
491100	(300646)	Nylon	33C	1"	5/16"	1/2"	\$6.98 R
491113	(037639)	Aluminum	4300	1"	5/16"	1/2"	\$15.98 R
491136	(301456)	Terminal Pin Kit - Includes: Eye Terminal Pin (300965), Ring, Nut and Washer, For 6400 Series					\$16.98 Q

- Fun & Flotation
- Anchor & Dock
- Safety
- Electronics
- Trolling Motors
- Lighting
- Electrical
- Topside Acc.
- Cockpit & Deck
- Instruments
- Steering, Controls
- Perform.
- Fuel System
- Engine & Parts
- Engine Care
- Propellers
- Seating & Pedestals
- Tops & Covers
- Pumps
- Cleaning & Care
- Paint & Paint Acc.
- Hardware, Fasteners
- Trailering
- Misc.
- Comm.

Uflex Accessories for Engine Controls



- Adapts C2, C8, MACHZero and all 33C style cables for use with Mercury engines.

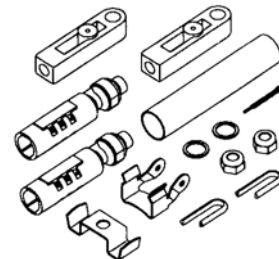
Order No.	Description	Price
8030000	(K56)	\$33.98 Q

Uflex Cable End Fitting



- Fits C2, C8, MACHZero and all 33C style cables.

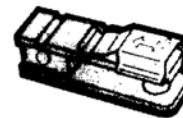
Order No.	Description	Price
2006865	(L12)	\$14.98 H



- Adapts C2, C8, MACHZero and all 33C style cables for use with BRP - Evinrude engines.

Order No.	Description	Price
8030005	(K57)	\$33.98 Q

Uflex Clevis



FITS C2, C8, MACHZERO AND ALL 33C STYLE CABLES

- 10-32 UNF.

Order No.	Description	Price
2006870	(L25)	\$24.98 H

- Fun & Flotation
- Anchor & Dock
- Safety
- Electronics
- Trolling Motors
- Lighting
- Electrical
- Topside Acc.
- Cockpit & Deck
- Instruments
- Steering, Controls**
- Perform.
- Fuel System
- Engine & Parts
- Engine Care
- Propellers
- Seating & Pedestals
- Tops & Covers
- Pumps
- Cleaning & Care
- Paint & Paint Acc.
- Hardware, Fasteners
- Trailer
- Misc.
- Comm.