

Champion Spark Plugs

DMI #	MFG #	Plug No.	Pack	Price
283200	765880	CJ8	8	\$2.96 LQ
283008	765847	J4C	8	\$4.44 H
283022	765916	J4C	24*	\$105.98 H
283109	765851	J6C	8	\$4.44 H
283123	765911	J6C	24*	\$105.98 H
283212	765848	J8C	8	\$3.56 H
283489	765876	L16V	4	\$5.98 L
283539	765899	L20V	8	\$4.11 H
283705	765862	L76V	4	\$5.98 H
283717	765905	L76V	24*	\$111.98 H
283755	765843	L77JC4	4	\$3.59 H
283779	765908	L77JC4	24*	\$68.98 H
283907	765859	L78C	4	\$3.79 H
283919	765871	L78V	4	\$5.98 H
283915	765909	L78VSP	24*	\$97.98 H
283882	936M	L78YC	4	\$4.57 LQ
284024	765861	L82C	4	\$3.76 L
284036	765881	L82YC	4	\$3.76 L
283370	958	QC10PEP	6	\$11.98 LQ
283372	7919	QC10PEPB	6	\$12.98 H
283387	9005	QC10WEP	4	\$15.98 L
283399	956M	QC12PEP	6	\$9.98 H
283401	7953	QC12PEPB	6	\$12.98 H
283260	9809	QC8WEP	4	\$14.98 H

DMI #	MFG #	Plug No.	Pack	Price
283490	765856	QL16V	4	\$12.98 H
283731	898	QL76V	8	\$12.98 H
283806	941M	QL77CC	6	\$5.98 Q
283781	765838	QL77JC4	4	\$5.98 H
283793	765910	QL77JC4	24*	\$112.98 H
283922	765857	QL78C	4	\$5.98 H
283930	765900	QL78V	4	\$8.98 LQ
283933	765839	QL78YC	4	\$5.98 L
283934	765906	QL78YC	24*	\$142.98 L
284037	765844	QL82C	4	\$6.98 L
284062	765907	QL82C	24*	\$115.98 L
284039	765873	QL82YC	4	\$6.98 L
284048	765913	QL82YC	24*	\$121.98 L
284163	765855	QL86C	4	\$6.98 L
284240	765853	QL87YC	4	\$6.98 L
283224	765841	RA8HC	8	\$3.56 H
283462	765879	RJ12C	4	\$3.30 G
284310	765864	RL82C	4	\$3.57 L
283060	765882	RN5C	6	\$3.40 LQ
283313	765883	RN9YC	4	\$3.35 LQ
283390	765870	RP10HC	4	\$5.98 H
283464	765842	RS12YC	6	\$3.56 H
283476	765860	RV12YC	4	\$3.56 H
283467	406S	RV12YC	24*	\$82.98 LQ



DMI #	MFG #	Plug No.	Pack	Price
283486	765904	RV154C4	24*	\$88.98 H
283488	765846	RV15YC4	4	\$3.56 H
283250	765852	RV8C	4	\$3.02 H
284315	942M	RV91MC	4	\$4.98 LQ
283325	765863	RV9YC	4	\$3.40 LQ
283503	765858	UL18V	4	\$4.76 H
283818	765849	UL77V	4	\$9.98 H
283820	765912	UL77V	24*	\$189.98 H
283971	765854	UL81C	8	\$5.98 L
283480	765845	XC12PEPB	4	\$15.98 L
283481	765915	XC12PEPB	24*	\$315.98 H

*Shop Pack

NGK Spark Plugs

DMI #	MFG #	Plug No.	Pack	Price
498508	7534	B6HS	4	\$2.98 LQ
498522	3510	B6S	10	\$2.69 H
498596	5110	B7HS	10	\$2.98 H
498611	2129	B7HS-10	10	\$2.98 H
498623	704	B7HS-10	25*	\$66.98 H
498748	5510	B8HS	10	\$2.98 H
498762	5126	B8HS-10	10	\$3.00 H
498777	705	B8HS-10	25*	\$66.98 H
499005	3626	B9HS-10	10	\$2.98 H
498490	6962	BKR6E	4	\$2.98 H
4970036	6364	BKR6ES	4	\$2.83 H
498480	6993	BKR6Eku	10	\$8.98 H
498481	5553	BKR6ES-11	4	\$2.98 H
498652	5881	BKR7Eku	10	\$8.98 H
498641	4952	BKR7ES-11	4	\$2.98 H
4970041	7333	BP6ES	4	\$2.83 H
498538	6326	BP6HS-10	10	\$2.98 H
498659	7829	BP7HS-10	10	\$2.98 H
498849	4838	BP8H-N-10	10	\$2.98 H
498850	710	BP8H-N-10	25*	\$66.98 H
498837	3823	BP8HS-10	10	\$2.98 H
498813	6729	BP8HS-15	10	\$2.98 H
4970051	7222	BPR4ES	4	\$2.83 H
498571	7734	BPR5ES	4	\$2.98 H
498520	1006	BPR6EF	25*	\$99.98 H
498526	3623	BPR6EFS	10	\$2.98 H
498529	7131	BPR6ES	4	\$2.98 H
498572	2623	BPR6FS	10	\$2.98 H
498584	2633	BPR6HS-10	10	\$2.98 H
498669	5534	BPR7ES	4	\$2.98 H
4970062	6422	BPR7HS	10	\$2.90 H
498661	1092	BPR7HS-10	10	\$3.98 H
498855	3923	BPR8ES	10	\$2.98 LQ
499107	7788	BPR9ES	10	\$3.49 LQ
498609	4495	BPZ8H-N-10	10	\$9.98 H
498615	1018	BPZ8H-N-10	25*	\$299.98 H
498562	1107	BPZ8HS	25*	\$299.98 H
498859	3133	BPZ8HS-10	10	\$9.98 H
498595	7696	BPZFR6H	4	\$18.98 H
498534	4323	BR6FS	10	\$2.98 H
498546	708	BR6FS	25*	\$72.98 H
498536	3922	BR6HS	10	\$4.77 L

DMI #	MFG #	Plug No.	Pack	Price
4970077	1090	BR6HS-10	10	\$2.85 H
498700	5122	BR7ES	10	\$3.19 LQ
498570	1207	BR7HS	25*	\$99.98 H
498712	4122	BR7HS	10	\$2.98 H
498602	1113	BR7HS-10	25*	\$99.98 H
498673	1098	BR7HS-10	10	\$2.98 H
498825	713	BR8ES	25*	\$72.98 H
498863	5422	BR8ES	10	\$3.05 H
498865	7986	BR8ES-11	10	\$2.98 LQ
498887	1157	BR8HCS-10	10	\$7.98 H
498866	4322	BR8HS	10	\$2.98 H
498875	1134	BR8HS-10	10	\$2.98 H
498879	709	BR8HS-10	25*	\$72.98 H
498964	5722	BR9ES	10	\$3.19 LQ
499104	7548	BR9EYA	10	\$4.49 LQ
499043	4522	BR9HS	10	\$3.19 H
499050	4551	BR9HS-10	10	\$2.98 H
499066	707	BR9HS-10	25*	\$72.98 H
498902	6431	BU8H	10	\$3.50 H
498924	703	BU8H	25*	\$86.98 H
498320	2622	BUHW	10	\$3.98 H
498332	701	BUHW	25*	\$92.98 H
499079	702	BUHW2	25*	\$92.98 H
498356	5626	BUHW-2	10	\$3.98 H
498386	2522	BUHX	10	\$3.50 H
498394	5526	BUHXW-1	10	\$3.98 H
498947	7447	BUZ8H	10	\$9.98 H
499081	2147	BUZHW	10	\$9.98 H
498422	2173	BUZHW-2	10	\$9.98 H
498724	3579	BZ7HS-10	10	\$5.98 H
498588	7023	CR6HS	10	\$3.00 H
499098	6955	CR9EB	10	\$6.98 H
499091	4548	CR9EK	10	\$8.98 F
498590	3481	DCPR6E	10	\$4.29 H
498736	3932	DCPR7E	10	\$4.25 H
499089	4339	DCPR8E	10	\$4.25 H
4970124	2887	DPR5EA-9	10	\$3.00 H
498495	5531	DPR6EA-9	10	\$3.00 H
498496	3108	DPR6EB-9	10	\$2.98 H
498430	4623	DR5HS	10	\$3.29 H
498740	7839	DR7EA	10	\$3.00 H
498450	5588	ILFR6G	4	\$19.98



DMI #	MFG #	Plug No.	Pack	Price
498455	4212	ILFR6GE	4	\$18.98 H
499096	6544	IMR9D-9H	4	\$18.98 H
4970135	5599	ITR4A15	4	\$13.98 H
498448	5887	IZFR5J	4	\$18.98 H
498447	5899	IZFR5J	4	\$18.98 H
498591	4095	IZFR6FII	4	\$18.98 H
498456	4462	IZFR6J	4	\$18.98 H
498479	6376	LFR5A-11	10	\$7.98 H
498501	1116	LFR5A-11	25*	\$159.98 E
498593	3672	LFR6A-11	10	\$7.98 H
498622	1119	LFR6A-11	25*	\$139.98 E
498617	92650	LKR6E	-	\$7.98 H
498616	1643	LKR7E	-	\$7.98 H
498446	4363	PZFR5F-11	4	\$18.98 H
499087	4253	PZFR7G-G	4	\$18.98 LQ
499094	5196	R6918C-9	10	\$49.98 LQ
498449	2238	TR5	4	\$3.00 H
499101	7164	TR55IX	4	\$11.98 H
498440	6630	UR4	4	\$3.00 H
498457	7052	YR5	4	\$3.00 H
499085	4043	ZFR4F-11	4	\$3.50 H
4970167	2262	ZFR5F-11	4	\$3.50 H
498709	5913	ZFR7F	10	\$3.50 H

*Shop Pack

- Fun & Flotation
- Anchor & Dock
- Safety
- Electronics
- Trolling Motors
- Lighting
- Electrical
- Topside Acc.
- Cockpit & Deck
- Instruments
- Steering, Controls
- Perform.
- Fuel System
- Engine & Parts
- Engine Care**
- Propellers
- Seating & Pedestals
- Tops & Covers
- Pumps
- Cleaning & Care
- Paint & Paint Acc.
- Hardware, Fasteners
- Trailerling
- Misc.
- Comm.

Champion OMC Spark Plug Assortment



- Kit contains Champion Spark Plug Shop Packs of:
 Qty: 1 **283123** (J6C)
 Qty: 2 **283779** (L77JC4)
 Qty: 1 **283793** (QL77JC4)
 Qty: 2 **283934** (QL78YC)
 Qty: 1 **284048** (QL82YC)

Order No.	Mfg. No. / Description	Price
B99999L	(SP-1)	\$649.98 MAP

AC Delco Spark Plugs



- Available in Norwich only.
- 8 per box except **203264** which is sold individually.

Order No.	Mfg. No. / Description	Price
203050	(41-993) Platinum Mercury	\$15.98 K
203062	(41-983) Platinum Mercury	\$15.98 K
203276	(MR43T) 14mm, 31/64" Reach, 5/8"	\$4.98 K
203264	(MR43LTS) SOLD EACH	\$4.98 K

Spark Plug Cross Reference Chart

Champion No.	NGK No.	Champion No.	NGK No.	Champion No.	NGK No.	Champion No.	NGK No.	Champion No.	NGK No.
CJ8	BM6A	L78YC	BP8HS-10	QL78C	BR8HS	RJ12YC	XR5	RS9YC	BPR6EF
J4C	B7S	L82C	B7HS	QL78V	BUZHW-2	RL78C	BR8HS	RS9YC	BPR6EFS
J4C	B8S	L82YC	BP7HS	QL78YC	BPR7HS	RL82C	BR7HS	RV12C	YR5
J6C	B6S	L86C	B6HS	QL82C	BR7HS	RL82YC	BPR7HS-10	RV12YC	UR5
J8C	B6S	L87YC	BP6HS	QL82C	BR7HS-10	RL87YC	BPR6HS-10	RV15YC4	UR4
L20V	BUH	L90C	B5HS	QL82C	BZ7HS-10	RN2C	BR9ES	RV8C	BR6FS
L6VC	BU-8H	P10Y	D6HA	QL82YC	BPR7HS	RN3C	BR7ES	RV9YC	BPR6FS
L76V	BUHW	QL16V	BUZ8H	QL86C	BR6HS	RN3C	BR8ES	UL18V	BUHX
L77J2	B9HS-10	QL6VC	BUZ8H	QL87YC	BPR6HS	RN5C	BR6ES	UL77V	BUHXW-1
L77JC4	B7HS-10	QL76V	BUZHW	RA8HC	DCPR7E	RN6YC	BPR8ES	UL81C	B7HS
L78C	B8HS	QL77CC	BR8HS	RC9MC4	FR5	RN7YC	BPR7ES	Z9Y	CR6HS
L78V	BUHW-2	QL77J4	BZ7HS-10	RF10C	AR6FS	RN9YC	BPR6ES		
L78YC	BP8HN-10	QL77JC4	BZ7HS-10	RJ12C	BR6S	RS12YC	TR4		

Marpac Universal Motor Flusher - Rectangular Cup



- Fits most engines with side water inlets.
- Installs easily - No tools needed.
- Flush away sand, silt, salt and alkali to prevent clogging and corrosion to extend engine life.

Order No.	Description	Price
7-0574	Motor Flusher - Rectangular Cup	\$4.99 G
7-0574S	Display Box of 24 Motor Flushers	\$122.98 I

Marpac Universal Motor Flusher - Round Cup



- Fits most engines with side water inlets.
- Installs easily - No tools needed.
- Flush away sand, silt, salt and alkali to prevent clogging and corrosion to extend engine life.

Order No.	Description	Price
7-0576	Motor Flusher - Round Cup	\$4.98 G
7-0576S	Display Box of 24 Motor Flushers	\$128.98 G

Boater Sports Larger Motor Flusher



- Designed for larger outboards.
- Flush contaminants from cooling system and allows idling for engine adjustments.
- Install in seconds using a garden hose.
- Needs no tools.

Order No.	Mfg. No. / Description	Price
1-53302	(53302)	\$8.99 R

Boater Sports Basic Motor Flusher



- Motor flusher fits most outboards and I/O outdrives.
- Flush contaminants from cooling system and allows idling for engine adjustments.
- Install in seconds using a garden hose.
- Needs no tools.

Order No.	Mfg. No. / Description	Price
1-53300	(53300)	\$5.99 H

Moeller Universal Motor Flusher



- No tools required.
- Easy-to-use.
- For use on all lower units with side water inlets.

Order No.	Mfg. No. / Description	Price
808720	(099076-00)	\$5.98 H

Marpac Dual Water Feed Motor Flusher



- Flush sand, silt and saltwater.
- Ideal for larger horsepower engines.
- Rectangular inlet cups create a better seal.
- For use with all lower units that have side water inlets.

Order No.	Description	Price
7-0573	Dual Water Feed Motor Flusher	\$17.98 G

Moeller Dual Feed Motor Flusher



- A customer-favorite for all engines over 50 horsepower.
- Improved water flow with rectangular cups will virtually eliminate water leakage for higher-pressure flushing.
- For use on all lower units with side water inlets; includes Volvo.

Order No.	Mfg. No. / Description	Price
808717	(099082-00)	\$29.98 LQ

Marpac Inboard Engine Flusher - Adjustable Length



- Installs easily without tools.
- Helps extend engine life.
- Flushes away sand, silt, salt and alkali.
- Adjusts from 18" to 30" with just a twist.
- Check, tune and flush your inboard engine anywhere on dry land.
- For use on gas or diesel inboard engines with thru-hull water intakes.

Order No.	Description	Price
7-0579	Inboard Engine Flusher - Adjustable Length	\$11.98 G

Moeller Inboard Engine Adjustable Motor Flusher



- No tools required; Telescoping flusher installs in minutes.
- Large cup prevents water blow-by or fall-off during usage.
- Telescoping tube allows precise alignment for hard-to-reach areas.

Order No.	Mfg. No. / Description	Price
808719	(099081-00)	\$28.98 LQ

Perko Flush Pro Engine Flushing Systems



- Freshwater flushing of your inboard is as simple as connecting a garden hose.
- Clear polymer.
- Stainless steel spring.
- Transparent body allows for visual inspection of water flow.
- Durable check valve system activated by water pressure from a garden hose.
- Check valve automatically shuts off hull intake when water pressure is applied.

Order No.	Mfg. No. / Description	Price
539467	(0456 DP6) For Hose Size: 1"	\$117.98 R
539481	(0456 DP7) For Hose Size: 1-1/4"	\$117.98 R

Boater Sports Dual Flow Motor Flusher



- Universal dual flow motor flusher.
- Works on most outboards and I/O's.
- Great way to test run a motor before heading to the water.

Order No.	Mfg. No. / Description	Price
1-53304	(53304)	\$14.95 L

Boater Sports Inboard Motor Flusher



- Designed for larger outboards.
- Flush contaminants from cooling system and allows idling for engine adjustments.
- Install in seconds using a garden hose.
- Needs no tools.

Order No.	Mfg. No. / Description	Price
1-53299	(53299)	\$16.95 H

Moeller Pro Series Inboard Motor Flusher



- Easy to install in seconds for out of the water engine flushing applications.
- Designed to fit inboards, performance ski boats, etc., with a thru hull water intake.
- Stainless steel T fitting slides into the intake slot in either direction for a quick fit.
- No more trying to fit between the trailer bunks and secure a pole to the ground.

Order No.	Mfg. No. / Description	Price
808718	(099085-00)	\$39.98 LQ

T-H Marine Quick Flush™ Outboard Flush Kits



- Makes flushing outboard quick and easy.
- Unique patented slide valve replaces outboard flushing port plug.
- O-ring seal closes off port when operating engine.
- Quick connect on hose snaps onto valve for flushing.
- No plug to remove and no difficult turning of hose into port.
- Kit includes: Slide valve, hose quick connector and washer.

Order No.	Mfg. No. / Description	Price
641274	(QF-1K-DP) For Johnson/Evinrude, Except ETEC	\$24.98 H
641262	(QF-2K-DP) For Mercury and Most Other Outboards	\$24.98 H

- Fun & Flotation
- Anchor & Dock
- Safety
- Electronics
- Trolling Motors
- Lighting
- Electrical
- Topside Acc.
- Cockpit & Deck
- Instruments
- Steering, Controls
- Perform.
- Fuel System
- Engine & Parts
- Engine Care**
- Propellers
- Seating & Pedestals
- Tops & Covers
- Pumps
- Cleaning & Care
- Paint & Paint Acc.
- Hardware, Fasteners
- Trailering
- Misc.
- Comm.

- Fun & Flotation
- Anchor & Dock
- Safety
- Electronics
- Trolling Motors
- Lighting
- Electrical
- Topside Acc.
- Cockpit & Deck
- Instruments
- Steering, Controls
- Perform.
- Fuel System
- Engine & Parts
- Engine Care**
- Propellers
- Seating & Pedestals
- Tops & Covers
- Pumps
- Cleaning & Care
- Paint & Paint Acc.
- Hardware, Fasteners
- Trailer
- Misc.
- Comm.

Star Brite Pro Star Ultra High Performance Trim and Tilt Fluid



- High-tech formulation significantly outperforms traditional trim and tilt fluids.
- Provides unsurpassed protection against wear and ensures maximum performance.
- Ideal for use in all trim and tilt, trim tab, power steering and other hydraulic systems.
- Meets or exceeds OEM specs; won't void warranties.
- Unique environmentally - responsible formula is bio-renewable and biodegradable.

Order No.	Mfg. No. / Description	Price
451914	(026710) 10 oz. Tube	\$10.98 G
451916	(026732) 32 oz. (Quart)	\$12.98 G

Sierra Power Trim and Tilt Fluid



- Formulated for high operating pressure.
- Anti-foam additives assures uniform flow with reduced air contamination in hydraulic systems.
- Designed for heavy duty use at high operating pressures in applications subject to varied temperature ranges.
- Provides proper lubrication and corrosion protection for internal hydraulic components.

Order No.	Mfg. No. / Description	Price
189750	(18-9750-0) 10 oz. Tube	\$7.98 H

Star Brite Pro Star Super Premium Synthetic Blend 4 Stroke Oil - 10W 30



- Designed for 4 stroke high-performance outboards, gasoline inboards and sterndrives.
- Surpasses API requirement for SJ, CF-4 and CH-4.
- Certified under NMMA's new FC-W category.
- Meets or exceeds all criteria for viscosity, filter plugging, foaming and aeration.
- Additive package optimizes engine cleanliness, prevents sludge build up.
- Synthetic/organic blend assures excellent low-temperature properties for quicker starts.
- Provides maximum protection in severe, high RPM applications.

Order No.	Mfg. No. / Description	Price
189422	(28132) 32 fl. oz. (Quart)	\$9.98 H
189423	(28100) Gallon	\$34.98 G

Sierra Full Synthetic 4 Stroke Engine Oil - SAE 10W-30



- Formulated specifically for 4 stroke outboard and sterndrive engine technology.
- A special blend of synthetic base oil and a balanced additive system that exceeds the FC-W requirements for marine engine oils.
- Recommended for use in both outboard and sterndrive applications.
- Offers faster lubrication at start up in low temperatures, excellent protection at high temperatures, and greater resistance to oxidation for lower oil consumption.

Order No.	Mfg. No. / Description	Price
1896902	(18-9690-2) Quart	\$13.98 H

Star Brite Power Trim and Tilt Fluid



- Exceeds OEM warranty requirements.
- Formulated to provide consistent (no-fade) performance in all marine trim and tilt applications.
- Anti-foam, anti-wear, anti-oxidation and advanced stabilizing additives assure optimum performance in hydraulic trim tabs, power tilt and power steering systems.
- Enhanced to protect seals, hoses and other components from drying, cracking or corroding.

Order No.	Mfg. No. / Description	Price
451910	(28510) 10 oz. Tube	\$6.98 G
451912	(028532) 32 oz. (Quart)	\$8.98 G

OMC® SystemMatched™ Power Trim/Tilt and Steering Fluid



- Specially formulated to provide the viscosity, aniline point and lubricity necessary to insure proper pump performance and seal life in Evinrude/Johnson power tilts, power trim/tilts and stern drive power steering units.
- Used in all OMC outboards and sterndrives.

Order No.	Mfg. No. / Description	Price
B765731	(765731) 10 oz. Tube	\$6.99 MAP

Star Brite Pro Star Super Premium Synthetic Blend 4 Stroke Oil - 10W 40



- Designed for 4 stroke high performance outboards, gasoline inboards and sterndrives.
- Surpasses API requirement for SJ, CF-4 and CH-4.
- Certified under NMMA's new FC-W category.
- Additive package optimizes engine cleanliness, prevents sludge build up.
- Synthetic/organic blend assures excellent low-temperature properties for quicker starts.
- Provides maximum protection in severe, high RPM applications.

Order No.	Mfg. No. / Description	Price
451908	(028232) 32 fl. oz. (Quart)	\$10.98 H
451907	(028200) Gallon	\$34.98 G

Sierra Premium Blend 4 Stroke Engine Oil - SAE 10W-30



- Excellent anti-wear characteristics.
- Reduces friction.
- Formulated to offer maximum corrosion protection.
- Reduces sludge keeps engine cleaner for better efficiency.
- Low temperature viscosity offers better cold starting.
- Meets and exceeds quality performance API SJ, CF-2, CH-4, NMMA FC-W Certified

Order No.	Mfg. No. / Description	Price
1894202	(18-9420-2) Quart	\$7.75 H
1894203	(18-9420-3) Gallon	\$26.82 H
189427	(18-9420-7) 55 Gallon Drum	\$1,240.37 K

Sierra Semi-Synthetic Engine Oil - SAE 10W-40



- Direct Suzuki replacement oil.
- Semi-Synthetic formulation for superior protection under high loads and operating stress.
- NMMA FC-W Certified/API-SL.

Order No.	Mfg. No. / Description	Price
1895512	(18-9551-2) Quart	\$7.28 H
1895513	(18-9551-3) Gallon	\$25.03 H

Star Brite Pro Star Super Premium Heavy Duty Engine Oil - SAE 15W 40



- Exceeds the highest performance specifications for engines requiring CI service.
- Recommended for engines requiring API CF-2 level performance.
- API Service Classifications: CI, CH-4, CG-4, CF-4, CF, CE, CD/SJ, SH and EC.
- Heavy duty formulation minimizes engine wear to provide long engine life.

Order No.	Mfg. No. / Description	Price
451903	(028032) 32 fl. oz. (Quart)	\$9.98 LQ
451902	(028000) Gallon	\$29.98 G

Star Brite Pro Star Premium Synthetic Blend 4 Stroke O/B Oil - 25W 40



- Designed for 4 stroke high performance outboards, gasoline inboards and sterndrives.
- Surpasses API requirement for SJ, CF-4 and CH-4.
- Certified under NMMA's new FC-W category.
- Meets or exceeds all criteria for viscosity, filter plugging, foaming and aeration.
- Additive package optimizes engine cleanliness, prevents sludge build up.
- Synthetic/organic blend assures excellent low-temperature properties for quicker starts.

Order No.	Mfg. No. / Description	Price
451911	(028332) 32 fl. oz. (Quart)	\$9.98 H
451909	(028300) Gallon	\$34.98 G

Sierra Synthetic Blend Engine Oil - 25W-40



- Superior corrosion protection.
- Outstanding friction reduction and wear protection.
- Removes thermal breakdown under high RPM's, extreme temperature and loads.
- Extensively tested for outstanding performance.
- NMMA FC-W Certified/API-SL.

Order No.	Mfg. No. / Description	Price
1894402	(18-9440-2) Quart	\$8.98 H
1894404	(18-9440-4) 5 Quart	\$36.22 H

Rotella T Engine Oil - SAE 15W-40



- Conventional heavy duty diesel engine oil compatible with most vehicles.
- Industry-tested for up to 50% less engine wear.
- Enhanced engine cleanliness and viscosity control.
- Designed to control piston deposits in late model engines.
- Conventional motor oil compatible with most vehicles.

Order No.	Mfg. No. / Description	Price
980056	(550019905) Quart	\$8.98
980107	(550019913) Gallon	\$33.98
980120	(550019919) 2.5 Gallon	\$79.98
980130	(550019916) 5 Gallon	\$146.98
980140	(550019918) 55 Gallon Drum	\$1,506.98

Kendall Premium Synthetic Engine Oil - 15W-40



- A premium quality, part-synthetic API CJ-4 engine oil developed for use in 4 stroke cycle diesel engines designed to meet 2007 and later EPA on-highway exhaust emissions standards.
- Exclusive Liquid Titanium protection additive provides enhanced oxidation resistance and protection against engine wear.

Order No.	Mfg. No. / Description	Price
980910	(1056017) Quart	\$5.98 G
980920	(1057832) 5 Gallon Pail	\$113.98 LQ

Sierra Premium Blend 4 Stroke Engine Oil - SAE 25W-40



- Formulated to provide excellent lubrication and corrosion protection.
- Stern drive and inboard engines operate under high load and running stresses.
- Developed for the marine environment and will out perform standard 4-cycle automotive engine oils.
- Meets or exceeds quality performance API SJ, CF-4, CH-4.
- Recommended for use in Mercruiser and OMC.
- NMMA FC-W Certified.

Order No.	Mfg. No. / Description	Price
189400	(18-9400-2) Quart	\$7.83 H
1894004	(18-9400-4) 5 Quart	\$37.23 K

Sierra Semi-Synthetic Engine Oil - SAE 25W-50



- For use in supercharged Mercury Verado.
- Offered in liter, 4 liter and 16 gallon containers.
- Semi-Synthetic formulation for superior protection under high loads and operating stress.
- NMMA FC-W Certified/API-SL.

Order No.	Mfg. No. / Description	Price
1895523	(18-9552-3) 4 Liter	\$39.72 H

- Fun & Flotation
- Anchor & Dock
- Safety
- Electronics
- Trolling Motors
- Lighting
- Electrical
- Topside Acc.
- Cockpit & Deck
- Instruments
- Steering, Controls
- Perform.
- Fuel System
- Engine & Parts
- Engine Care**
- Propellers
- Seating & Pedestals
- Tops & Covers
- Pumps
- Cleaning & Care
- Paint & Paint Acc.
- Hardware, Fasteners
- Trailerling
- Misc.
- Comm.

Rotella T Triple Protection Engine Oil



- Have excellent wear protection that promotes engine durability.
- Low ash content minimizes formation of deposits and keeps intake ports clean.
- Outstanding oxidation resistance that maximizes service life.
- Excellent rust and corrosion protection of critical engine parts.
- High dispersancy-detergency protects against sludge and varnish deposits.

Order No.	Mfg. No. / Description	Price
980420	(550019903) 30W Quart	\$7.98
980359	(5073795) 30W Gallon	\$36.98 LQ
980385	(550019857) 30W Gallon - 3 Pack	\$31.98
980400	(550019891) 30W 5 Gallon	\$132.98
980380	(550019856) 30W 55 Gallon Drum	\$1,257.98
980425	(550019904) 40W Quart	\$7.98
980390	(550019858) 40W Gallon - 3 Pack	\$31.98
980410	(550019892) 40W 5 Gallon	\$131.98
980395	(550019860) 40W 55 Gallon Drum	\$1,257.98
980415	(550019893) 50W 5 Gallon	\$162.98

Star Brite Pro Star Super Premium Heavy Duty Engine Oil - SAE 30



- Recommended for engines requiring API CF-2 level performance.
- Exceeds warranty requirements for all diesel and gasoline engines specifying SAE 30 grade and API service classification including Caterpillar, Cummins, Detroit Diesel, Mack, Navistar, and Volvo. Exceeds Mack EO-K/2 and Allison C4 specs and CID; A-A-52306A requirements.
- API Service Classifications; CF-2, CD-II, CD, CF, CE/SJ, SH and SG specs/regs.
- Heavy duty formulation minimizes engine wear to provide long engine life.

Order No.	Mfg. No. / Description	Price
451894	(027832) 32 fl. oz. (Quart)	\$8.98 G
451892	(027800) Gallon	\$29.98 LQ

Star Brite Pro Star Super Premium Heavy Duty Engine Oil - SAE 40



- Recommended for engines requiring API CF-2 level performance.
- Exceeds warranty requirements for all diesel and gasoline engines specifying SAE 30 grade and API service classification including Caterpillar, Cummins, Detroit Diesel, Mack, Navistar, and Volvo. Exceeds Mack EO-K/2 and Allison C4 specs and CID; A-A-52306A requirements.
- API Service Classifications; CF-2, CD-II, CD, CF, CE/SJ, SH and SG specs/regs.
- Heavy duty formulation minimizes engine wear to provide long engine life.

Order No.	Mfg. No. / Description	Price
451898	(027932) 32 fl. oz. (Quart)	\$8.98 LQ
451896	(027900) Gallon	\$29.98 LQ

OMC® Systematched™ Ultra 4 Stroke Oil - 5W-40



- Ultra Viscosity Stability: Resists viscosity and thermal breakdown.
- Ultra Sludge Protection: Engines stay cleaner and run more efficiently.
- Ultra Friction Reducing Properties: Improve fuel economy and power.
- Ultra Film Strength and Additive Package: Reduces wear and offers superior corrosion protection.

Order No.	Mfg. No. / Description	Price
B764365	(764365) Quart	\$8.99 MAP

OMC® Systematched™ 4 Stroke Oil



- Cobra oil is a high viscosity lubricant designed for high performance stern drives.
- Handles the newest API service ratings of SG and CD.
- Meets or exceeds GM-6094-M, Ford ESE-MCC 153-E, API service SE-SF-SG-CC-CD.
- Acceptable for any diesel engine which requires a 30 weight oil.

Order No.	Mfg. No. / Description	Price
B775595	(775595) Quart	\$7.99 MAP
B775596	(775596) Gallon	\$21.99 MAP

Sierra Full Synthetic Engine Oil - SAE 30



- Recommended for gasoline and diesel inboard and sterndrive engines.
- Superior engine protection during startups, operation and storage.
- Reduces friction and wear for extended engine life.
- Longer lubrication effectiveness than mineral oils.
- Reduces oil consumption and improves fuel economy.
- API-CF/SL.

Order No.	Mfg. No. / Description	Price
1894102	(18-9410-2) Quart	\$9.82 H
1894104	(18-9410-4) 5 Quart	\$43.47 H

Star Brite Premium 2 Cycle Engine Oil - TC-W3



- Meets or exceeds manufacturer's specifications.
- Ashless formula provides superior protection.
- Environmentally friendly, clean burning fuel that reduces emissions.
- Engineered for operation under extreme conditions.
- For use in oil injection, 2 cycle and pre-mix engines.

Order No.	Mfg. No. / Description	Price
452185	(19016) 16 fl. oz. Sold Each (12 Per Case)	\$5.98 G
452190	(19032) 32 fl. oz. (Quart) Sold Each (12 Per Case)	\$8.98 G
452196	(19000) Gallon Sold Each (6 Per Case)	\$30.98 Q
452200	(19025) 2.5 Gallons 2 Per Case	\$151.98 G

Fun & Flotation

Anchor & Dock

Safety

Electronics

Trolling Motors

Lighting

Electrical

Topside Acc.

Cockpit & Deck

Instruments

Steering, Controls

Perform.

Fuel System

Engine & Parts

Engine Care

Propellers

Seating & Pedestals

Tops & Covers

Pumps

Cleaning & Care

Paint & Paint Acc.

Hardware, Fasteners

Trailer

Misc.

Comm.

Star Brite Super Premium 2 Cycle Engine Oil - TC-W3



- Synthetic Super Premium TC-W3.
- Meets or exceeds manufacturers' specifications-will not void engine warranty.
- NMMA approved-meets or exceeds their stringent TC-W3 requirements.
- Exceeds performance specifications for FICHT, Optimax and HPDI engines.
- Contains PIB viscosity modifier to greatly improve lubricity and to reduce smoking.
- High-detergent formula removes deposits from fuel delivery system.
- Ashless formula minimizes piston ring sticking and protects against preignition problems.
- Environmentally friendly, reduces emissions.
- Engineered for operation under extreme conditions.
- For use in oil injection, 2 cycle and pre-mix engines.
- Super premium additive package makes this oil one of the cleanest burning, smoothest running, best lubricating TC-W3 oils you can buy.
- For use in Yamaha, Suzuki, Evinrude, Mercury, Johnson, Sea-Doo, Polaris, Jet Ski and any other outboard.

Order No.	Mfg. No. / Description	Price
452158	(19232) 32 fl. oz. (Quart) Sold Each (12 Per Case)	\$9.98 H
452161	(19200) Gallon Sold Each (6 Per Case)	\$31.98 H
452172	(19225) 2.5 Gallons Sold Each (2 Per Case)	\$80.98 G
452125	(19255) 55 Gallon Drum	\$1,550.98 G

Star Brite Premium 2 Cycle Engine Oil - TC-W3 Displays



- Free-standing display sits on a quarter pallet and has two sides of 32 oz. and gallon product.

PREMIUM DISPLAY

- Display includes: (12) **452196** (19000) Gallon and (30) **452190** (19032) 32 oz.

Order No.	Mfg. No. / Description	Price
431318	(19099)	\$599.98 H

SUPER PREMIUM DISPLAY

- Display includes: (12) **452161** (19200) Gallon and (30) **452158** (19232) 32 oz.

Order No.	Mfg. No. / Description	Price
431320	(19299)	\$647.98 H



Marpac MixMate™ Oil-Fuel Mixing Bottle



- Oil to gas measuring device for 2 cycle engines.
- Includes oil - gas mixture ratios: 100-1, 50-1, 24-1 and 10-1.
- All measurements shown are in gallons and liters.

Order No.	Mfg. No. / Description	Price
7-6022	MixMate	\$5.98



Sierra 2 Cycle Engine Oil - TC-W3



- Ideal for oil injection systems or pre-mix applications.
- Significantly reduced aquatic toxicity to fish compared to other outboard oils on the market today.
- Reduces ring sticking, deposit formation and exhaust port blockage. Less friction allowing for easier starting.
- Formulated to improve performance and extend engine life by reducing wear on critical engine components.
- Excellent performance with lower quality fuels.
- Exceeds the industry standards established in 1997.

PREMIUM BLEND TC-W3

Order No.	Mfg. No. / Description	Price
1895001	(18-9500-1) Pint	\$5.45 H
1895002	(18-9500-2) Quart	\$10.47 H
1895003	(18-9500-3) Gallon	\$37.57 H

DIRECT INJECTION TC-W3

- Mercury Optimax, Yamaha HPDI, BRP Ficht, DI.

Order No.	Mfg. No. / Description	Price
1895303	(18-9530-3) Gallon	\$39.05 H

FULL SYNTHETIC TC-W3 2-STROKE OUTBOARD

Order No.	Mfg. No. / Description	Price
1895403	(18-9540-3) Gallon	\$49.33 H

OMC® Systematched™ 2 Stroke Premium Engine Oil - Semi-Synthetic Formula



- Reduces exhaust smoke for cleaner operation.
- Minimizes carbon deposits and keeps engine cleaner for better performance and longer life.
- Formulated to match the warranty requirements of Evinrude and Johnson Outboard Engines.
- Designed for pre-mix, oil injection and direct injection engines.
- Exceeds NMMA TC-W, TC-WII, TC-W3 and TC-W3RL specifications.

Order No.	Mfg. No. / Description	Price
B767002	(767002) Pint	\$5.99 MAP
B767003	(767003) Gallon	\$38.99 MAP



OMC® Systematched™ 2 Stroke Premium Engine Oil - Mineral Formula



- Provides 25% greater detergency than minimum TC-W3 requirements.
- Minimizes carbon deposits and keeps engine cleaner for better performance and longer life.
- Formulated to match the original warranty requirements of carbureted Evinrude and Johnson outboard engines.
- Exceeds NMMA TC-W, TC-WII, and TC-W3 and TC-W3RL specifications.

Order No.	Mfg. No. / Description	Price
B767000	(767000) Pint	\$4.49 MAP
B767001	(767001) Gallon	\$24.99 MAP



- Fun & Flotation
- Anchor & Dock
- Safety
- Electronics
- Trolling Motors
- Lighting
- Electrical
- Topside Acc.
- Cockpit & Deck
- Instruments
- Steering, Controls
- Perform.
- Fuel System
- Engine & Parts
- Engine Care**
- Propellers
- Seating & Pedestals
- Tops & Covers
- Pumps
- Cleaning & Care
- Paint & Paint Acc.
- Hardware, Fasteners
- Trailering
- Misc.
- Comm.

Star Brite Oil and Lube Display



• Display contains:

- (2) 28714 - Lever Action Grease Gun - 14 oz. Cartridge
- (4) 28703 - Pistol Grease Gun - 3 oz. Cartridge
- (2) 26003 - Wheel Bearing Grease - 3 oz. Cartridges 2/pack
- (2) 28401 - Adaptor fitting for Nissan, Yamaha, Tohatsu, Honda Lower Unit
- (2) 28402 - Adaptor fitting for Suzuki Lower Unit
- (2) 27400 - Lower Unit Quart Pump
- (2) 28600 - Lower Unit Lube Tube
- (2) 28901 - Oil Filter Wrench - 2-13/16" x 3-5/32"
- (2) 28902 - Oil Filter Wrench - 3-1/2" x 3-7/8"
- (4) 26016 - Wheel Bearing Grease - 16 oz. Cartridge
- (5) 26014 - Wheel Bearing Grease - 14 oz. Cartridge
- (2) 28510 - Power Trim and Tilt Fluid - 10 oz. Tube
- (2) 27010 - High Viscosity Lower Unit Gear Lube 80W 90 - 10 oz. Tube
- (2) 27110 - Hypoid 90W Lower Unit Gear Lube - 10 oz. Tube
- (2) 28532 - Power Trim and Tilt Fluid - 32 oz.
- (2) 27732 - Transmission Fluid/Mercon/Dexron - 32 oz.
- (2) 27032 - High Viscosity Lower Unit Gear Lube 80W 90 - 32 oz.
- (2) 27232 - Synthetic Lower Unit Gear Lube 80W 90 - 32 oz.
- (2) 27132 - Hypoid 90W Lower Unit Gear Lube - 32 oz.
- (4) 19216 - Super Premium 2 Cycle Engine Oil - TC-W3 - 16 oz.
- (12) 19232 - Super Premium 2 Cycle Engine Oil - TC-W3 - 32 oz.
- (12) 19200 - Super Premium 2 Cycle Engine Oil - TC-W3 - Gal.
- (2) 28132 - Pro Star Super Premium Synthetic Blend 4 Stroke Oil 10W 30 - 32 oz.
- (2) 28100 - Pro Star Super Premium Synthetic Blend 4 Stroke Oil 10W 30 - Gal.
- (2) 28232 - Pro Star Super Premium Synthetic Blend 4 Stroke Oil 10W 40 - 32 oz.
- (4) 28200 - Pro Star Super Premium Synthetic Blend 4 Stroke Oil 10W 40 - Gal.
- (2) 28032 - Pro Star Super Premium Heavy Duty Engine Oil SAE 15W 40 - 32 oz.
- (2) 28000 - Pro Star Super Premium Heavy Duty Engine Oil SAE 15W 40 - Gal.
- (2) 27832 - Pro Star Super Premium Heavy Duty Engine Oil SAE 30 - 32 oz.
- (2) 27800 - Pro Star Super Premium Heavy Duty Engine Oil SAE 30 - Gal.
- (2) 27932 - Pro Star Super Premium Heavy Duty Engine Oil SAE 40 - 32 oz.
- (2) 27900 - Pro Star Super Premium Heavy Duty Engine Oil SAE 40 - Gal.

Order No.	Mfg. No. / Description	Price
431325	(83505)	\$1,300.98 H

Sierra Type C Gear Lube



- Formulated for older model outboards and I/O's equipped with electric shift.
- Reduces friction and protects gears, bearings and other gearcase components.

Order No.	Mfg. No. / Description	Price
451841	(18-9620-0) 10 oz. Tube	\$8.98 H
189622	(18-9620-2) Quart	\$9.98 H
189625	(18-9620-5) 5 Gallon	\$149.33 F

Sierra Hi-Performance Synthetic Blend Lower Unit Gear Lube



- Synthetic blended marine formulation reduces operating friction for increased performance and protection of gears, bearings and other gear case components.
- Recommended for use in high performance and high load operating conditions in both outboard and I/O lower units.
- GL-5 Rated.

Order No.	Mfg. No. / Description	Price
451878	(18-9650-0) 10 oz. Tube	\$9.98 H
451879	(18-9650-2) Quart	\$12.98 H
189651	(18-9650-5) 5 Gallon	\$191.98 H

Sierra Premium Blend Lower Unit Gear Lube



- Recommended for all general marine applications requiring a GL-5 class lubricant.
- Ideal for replacing all old hypoid 90 application needs.
- Formulated for use in freshwater or saltwater conditions and all standard marine applications.
- Reduces friction and protects gears, bearings and other gearcase components.

Order No.	Mfg. No. / Description	Price
189600	(18-9600-0) 10 oz. Tube	\$6.98 H
189602	(18-9600-2) Quart	\$9.98 H
189605	(18-9600-5) 5 Gallon	\$146.98 H

Sierra Synthetic Gear Lube



- Specifically formulated to optimize gear life by reducing friction and providing superior wear protection in severe operating conditions.
- The unique synthetic formulation is shear stable and resists oxidation to ensure high performance over a wide range of ambient operating temperatures.
- API GL-5, MIL-L-210E.

Order No.	Mfg. No. / Description	Price
1896802	(18-9680-2) Quart	\$16.98 H
1896805	(18-9680-5) 5 Gallon	\$225.98 H
1896807	(18-9680-7) 55 Gallon Drum	\$2,475.93 H

Sierra 5 Gallon Bucket Lube Pump



- For filling lower units on outboards and stern drives.
- Designed for use with Sierra 18-9600-5, 18-9620-5 and 18-9650-5.

Order No.	Mfg. No. / Description	Price
189788	(18-9788)	\$113.70 H

- Fun & Flotation
- Anchor & Dock
- Safety
- Electronics
- Trolling Motors
- Lighting
- Electrical
- Topside Acc.
- Cockpit & Deck
- Instruments
- Steering, Controls
- Perform.
- Fuel System
- Engine & Parts
- Engine Care
- Propellers
- Seating & Pedestals
- Tops & Covers
- Pumps
- Cleaning & Care
- Paint & Paint Acc.
- Hardware, Fasteners
- Trailer
- Misc.
- Comm.

Star Brite Pro Star Ultra High Performance Lower Unit Lube - 80W90



- High-tech formulation significantly outperforms traditional lower unit gear lubes.
- Provides unsurpassed protection against wear, corrosion and heat.
- Ideal for use in all outboard and sterndrive lower units.
- Meets or exceeds OEM specs; wont void warranties.
- Unique environmentally-responsible formula is bio-renewable and biodegradable.



Order No.	Mfg. No. / Description	Price
451897	(026810) 10 oz. Tube	\$9.98 G
451899	(026832) 32 oz. (Quart)	\$15.98 G

Star Brite Hypoid 90W Lower Unit Gear Lube



- For API GL-5 service.
- For outboards and stern drives with mechanical shift mechanisms.
- Formulated with special anti-wear additives, rust and corrosion inhibitors.
- Will not void manufacturers warranties.
- The ultimate lubrication for maximum performance and economy.



Order No.	Mfg. No. / Description	Price
451906	(27110) 10 oz. Tube	\$6.98 G
451905	(27132) 32 oz. (Quart)	\$9.98 G
451904	(27105) 5 Gallon Pail	\$165.98 R

Star Brite Premium Lower Unit Lubrication Kit



- Contains one 451815 (27032) High Viscosity Lower Unit Gear Lube (32 oz.) and (27400) quart pump.
- Allows easy DIY servicing of lower units.



Order No.	Mfg. No. / Description	Price
451895	(029030)	\$22.98 G

Star Brite Premium Type C Lower Unit Gear Lube



- Recommended for electric shift gear cases used on Johnson/Evinrude Outboards (1962-1972), OMC Sterndrives (1977 and earlier) and other Type C applications.
- Meets or exceeds OEM requirements will not void manufacturers' warranty.

Order No.	Mfg. No. / Description	Price
451890	(027310) 10 oz. Tube	\$8.98 LQ
451891	(27332) 32 oz. (Quart)	\$9.98 G

Star Brite High Viscosity Lower Unit Gear Lube - 80W90



- For MIL-PSF-2105E, API MT-1, API GL-5, MACK GO-J, MACK GO-H.
- Recommended for use in Mercury, Mercruiser, Johnson, Evinrude, OMC, Force, Mariner, Nissan, Suzuki, Yamaha and Volvo.
- Will not void manufacturers warranties.
- For lower units of all outboard motors and sterndrives.
- Formulated with special anti-wear additives, rust and corrosion inhibitors.



Order No.	Mfg. No. / Description	Price
451803	(27010) 10 oz. Tube	\$6.98 G
451815	(27032) 32 oz. (Quart)	\$9.98 G

Star Brite Synthetic Blend Lower Unit Gear Lube - 80W90



- For API GL-5, MT-1 service SAE J2360, MACK GO-J.
- Special extreme pressure and anti-wear additives.
- Recommended for all engines over 100 HP.
- Protects against rust and corrosion.
- Meets or exceeds OEM requirements-will not void manufacturers warranty.
- Recommended for use in Mercury, Mercruiser, Johnson, Evinrude, OMC, Force, Mariner, Nissan, Suzuki, Yamaha and Volvo.



Order No.	Mfg. No. / Description	Price
451776	(27232) 32 oz. (Quart)	\$10.98 G
451800	(27205) 5 Gallon Pail	\$189.98 R

Star Brite Lower Unit Fill Kit



- Contains: (2) 10 oz. tubes of 451803 (27010) High Viscosity Lower Unit Gear Lube and (28600) lower unit lube tube.



Order No.	Mfg. No. / Description	Price
451893	(029020)	\$22.98 G

Shell Omala S4 GX Gear Oil



- Shell Omala S4 GX is formulated using an advanced additive system in combination with specially selected synthetic base fluids to provide outstanding resistance to breakdown over long duration and/or high temperature operation.
- This performance is recognized by Flender AG where a formal approval for 20,000 hours (four years) at 80° C usage as been granted.
- Shell Omala S4 GX can operate successfully at bulk temperatures up to 120° C.



Order No.	Mfg. No. / Description	Price
980440	(550026272) 5 Gallon	\$411.98

- Fun & Flotation
- Anchor & Dock
- Safety
- Electronics
- Trolling Motors
- Lighting
- Electrical
- Topside Acc.
- Cockpit & Deck
- Instruments
- Steering, Controls
- Perform.
- Fuel System
- Engine & Parts
- Engine Care
- Propellers
- Seating & Pedestals
- Tops & Covers
- Pumps
- Cleaning & Care
- Paint & Paint Acc.
- Hardware, Fasteners
- Trailering
- Misc.
- Comm.

OMC® Systematched™ Gearcase Lubricant



- For use in Evinrude/Johnson Outboards 100 HP and lower that specify OMC Systematched Hi-Vis Gearcase Lube & all outboard engine lower units from 100 HP & lower.*
- Thermal stability agents help prevent lubricant breakdown and sludge accumulation.
- Offers high film strength and protection in wet environments.
- Marine-specific emulsifiers help protect against corrosion caused by water intrusion.

* Not intended for OMC electric shift lower units.

Order No.	Mfg. No. / Description	Price
B765725	(765725) 10 oz.	\$6.99 MAP
B766212	(766212) 5 Gallon	\$235.99 MAP

Marpac Universal Gear Lube Pump



189794

- Quart size pump for outboard lower units, power trim and tilt units.
- Fits outboards and stern drives with 3/8-16 threaded screw.
- Fits outboards: Johnson/Evinrude, Mercury/Mariner, Suzuki 25 HP & larger and Yamaha 8 HP & larger.
- Fits sterndrives: OMC, OMC Cobra, OMC SX Cobra, Mercruiser, Speedmaster and Volvo Penta SX™.
- 8 mm threaded adapter included for: Yamaha, Honda, Mercury 4 stroke (over 115 HP), Nissan and Tohatsu.

Order No.	Mfg. No. / Description	Price
7-6020	Universal Gear Lube Pump	\$12.98 G

ADAPTOR FITTINGS

Order No.	Mfg. No. / Description	Price
189794	(28401) 8mm For: Honda, Yamaha, Nissan and Tohatsu	\$6.98 H
451497	(28402) 10mm For: Suzuki and Honda	\$6.98 G

Shell Tellus S2 V Hydraulic Lubricant



- High performance hydraulic fluids that use Shell's unique patented technology.
- Excellent viscosity control under both severe mechanical stress and across a wide range of temperatures.
- They provide outstanding protection and performance in most mobile equipment and other applications subjected to wider ranges of ambient or operating temperatures.
- Industrial Hydraulic Fluid for wide temperature range.

Order No.	Mfg. No. / Description	Price
980435	(550026267) 5 Gallon	\$188.98 I

OMC® Systematched™ Ultra Gearcase Lubricant



- For use in Evinrude/Johnson Outboards and all outboard engine lower units from 115 HP and higher.*
- Can also be used in OMC King Cobra and OMC Cobra.
- Special friction reducers, anti-foam agents, and extreme pressure additives to systematically promote gear life and performance.
- Runs cooler for longer seal life and has improved load carrying capabilities for enhance durability in the harshest marine conditions.
- Will not decompose under heavy loading and does not turn black and create a heavy hydrogen sulfide (rotten egg) odor after use.
- Marine-specific emulsifiers help protect against corrosion and lubricant breakdown caused by water intrusion.

* Not intended for OMC electric shift lower units.

Order No.	Mfg. No. / Description	Price
B765723	(766155) 10 oz.	\$5.99 MAP
B766212	(766212) 5 Gallon	\$235.99 MAP

Boater Sports Lower Unit Lube Pump



- Lower unit quart pumps fit standard quart bottles.
- Fits domestic engines and adapter fittings are available to fit most imported engines.

Order No.	Mfg. No. / Description	Price
1-52610	(52610)	\$7.95 J

OMC® Systematched™ Gear Lube Pump



- This easy to use pump was designed for use with 16 oz. or 32 oz. bottles of gear lubricant.
- The nylon fitting screws into the gearcase fitting to help prevent drips and spills.
- This pump is reusable.

Order No.	Mfg. No. / Description	Price
B765730	(765730)	\$12.99 MAP

Sierra Oil Pump



- Ideal for "do-it-yourself" owners.
- Quart size application is perfect for most marine drives.
- Includes lube fitting for domestic lower units with flexible fill line.

Order No.	Mfg. No. / Description	Price
189781	(18-9781)	\$14.53 H

Pennzoil Dexron Automatic Transmission Fluid

Order No.	Mfg. No. / Description	Price
980907	(550042065)	\$6.98 I

Scepter 18" Flex Funnel



- Made from a tough, high-density polypropylene.
- Great for gas/oil mix 2-cycle engines need.
- Stabilizing handle on all standard funnels conveniently allows for smooth steady pouring.

Order No.	Mfg. No. / Description	Price
237507	(003603)	\$9.98 LQ

Star Brite Spill Buster Funnel



- Use for motor oil, transmission fluid, wiper fluid, antifreeze, etc.
- Fits 1 quart bottles, 1 gallon bottles and most other plastic bottles (except fuel containers).

Order No.	Mfg. No. / Description	Price
360605	(37210)	\$6.98 H

Star Brite 3 Piece Funnel Set



- Kit contains three sizes of funnels to fit most filling applications of water, oil, fuel, antifreeze, powders and more.
- Durable plastic construction for years of use; can be easily cleaned.
- Hang tabs and deep spouts make funnels easy to store and help prevent spills.

Order No.	Mfg. No. / Description	Price
360602	(038010)	\$8.98 G

Racor Filter Funnels



- Heavy duty, fast-flow, filter-in-a-funnel that separates damaging free water and contaminants from gasoline, diesel, heating oil and kerosene.
- Rugged construction.
- PTFE coated stainless steel filter.

Order No.	Mfg. No.	GMP / Micron	Price
314859	(RFF1C)	2.7 / 127	\$28.98 LQ
314860	(RFF3C)	3.9 / 127	\$33.98 LQ
314861	(RFF8C)	5.0 / 127	\$65.98 G
314862	(RFF15C)	15 / 74	\$92.98 G

Boater Sports Funnel and Detach Flex Hose



- Flex funnel and detachable flex hose for extra length.
- Made from tough, high density polypropylene.
- Screen included to filter out sediment and large particulate.

Order No.	Mfg. No. / Description	Price
1-53282	(53282)	\$3.95 J

Marpac Fluid Xtractors



- Portable fluid extractor empties in 16 pumps or less.
- No power source needed. Warm or cold fluid extraction.
- Includes: Extraction tube kit.

Order No.	Description	Price
7-0951	Holds 4.0 Liters or 4.2 Quarts or 1.1 Gallons	\$96.98 G
7-0950	Holds 6.5 Liters or 6.9 Quarts or 1.7 Gallons	\$119.98 G

Sierra Oil Extractor



- For quick, easy and clean oil changes
- Large 8.8 Liter (2.3 Gallon) capacity not only can extract fluids, but is capable of dispensing too!
- Simply move the bi-directional valve and this unit will create a vacuum or move the valve the other direction and it creates pressure to dispense the fluid.
- Built-in shut-off valve to prevent overfilling.
- Comes complete with 5 feet of flexible hose and two rigid dipstick tubes.

Order No.	Description	Price
185220	(18-5220-4)	\$252.55 H

- Fun & Flotation
- Anchor & Dock
- Safety
- Electronics
- Trolling Motors
- Lighting
- Electrical
- Topside Acc.
- Cockpit & Deck
- Instruments
- Steering, Controls
- Perform.
- Fuel System
- Engine & Parts
- Engine Care**
- Propellers
- Seating & Pedestals
- Tops & Covers
- Pumps
- Cleaning & Care
- Paint & Paint Acc.
- Hardware, Fasteners
- Trailering
- Misc.
- Comm.

Jabsco Utility Hand Pumps with Transfer Hose Kit



415251



415249

- Jabsco manual operated pump.
- Ultimate heavy duty hand pump for utility and emergency uses.
- Made with long-life brass cylinders, high quality oil-resistant plungers and impact-absorbing end caps.
- Pumps never need coaxing and give full suction on the first stroke.
- Cylinder diameter: 1-1/4".
- Normal pumping capability is 30 strokes per minutes.

STROKES PER GALLON: 26

- Stroke length: 7-1/2". Overall length 12".
- Hose connection: 1/2".
- Hose supplies: 3' of 1/2", 40" of 5/16" and 40" of 1/4".

Order No.	Mfg. No. / Description	Price
415251	(33799-0000)	\$87.98 G

STROKES PER GALLON: 40

- Stroke length: 4-5/8". Overall length 10-1/4".
- Hose connection: 1/2".
- Hose supplies: 2' of 1/2" and 40" of 1/4".

Order No.	Mfg. No. / Description	Price
415237	(34060-0130)	\$63.98 G

- Stroke length: 4-5/8". Overall length 10-1/4".
- Marine engine oil drain pump with 3/4" female garden hose fitting on suction connection for OMC; and Mercruiser 3/4" NH threaded dip-stick tube. Includes: 2' of 1/2" hose.

Order No.	Mfg. No. / Description	Price
415249	(34060-0010)	\$58.98 G

Note: Explosion hazard. Do not pump gasoline, solvents, thinners or other flammable liquids. To do so can cause an explosion resulting in injury or death.

Jabsco Drill Pump



- Pumps up to 3.5 gpm.
- Self-priming to 3'.
- Provide a very versatile means of transferring fluid almost anywhere an electric drill with 1/4" to 3/8" chuck can be operated.
- Includes: 3.5 GPM self-priming drill pump that chucks into standard 1/4" or 3/8" drill, (2) 3/4" garden hose thread port adaptors, 3' of 1/2" hose, probe adaptor and 1/4" x 40" dipstick probe.
- Note: Not for pumping gasoline or flammable liquids.

Order No.	Mfg. No. / Description	Price
415275	(17215-0000) Complete Kit	\$58.98 Q
415287	(17250-0003) Drill Pump Only	\$40.98 F
415353	(17255-0003-P) Repl. Impeller/Shaft Assembly	\$31.98 G

Marpac Universal Hand Pump



- Self-priming design, great for pumping oil, water and other fluids.
- Siphons tank contents for quick and easy removal of large liquid quantities.
- Small size stores practically anywhere, such as tackle boxes.
- Not for use with gasoline or diesel.



Order No.	Description	Price
7-2232	Universal Hand Pump	\$23.98 G

Marpac Oil Drain Plugs



- Keep the oil in and the water out.
- Includes with plugs, gasket and O-ring.
- Sold 5 packages per display box.



Order No.	Description	Price
7-5999	Plug Gasket Mercury Lower Unit	\$3.85 G
7-6000	Magnetic Drain Plug Mercury Lower Unit	\$6.98 G
7-6005	Magnetic Drain Plug Yamaha Lower Unit	\$29.98 G
7-6006	Plug Gasket Yamaha Lower Unit	\$4.19 G
7-6017	Plug Gasket OMC Lower Unit	\$3.57 G

Jabsco Permanent Oil Drain Kit



- Includes drain plug fitting, oil drain hose, cap and hose hanger clamp.
- It is an ideal oil drain kit for use in conjunction with a 415287 (17250-0003) drill pump or 415249 (34060-0010) hand pump.
- Drain plug fitting size is 1/2" - 20.



Order No.	Mfg. No. / Description	Price
415299	(18080-0000)	\$79.98 Q

Boater Sports 12 Volt Oil Changer Kit



- Pumps hot oil out through the dipstick tube without mess.
- Completely self-contained 12 volt electric rotary pump has the extra power to drain oil from larger vehicles.
- Includes battery clips with eight foot leads.
- Magnetized bottom holds the unit to steel surfaces.
- NOTE: Oil must be hot.



Order No.	Mfg. No. / Description	Price
1-52608	(52608)	\$27.95

Jabsco Flat Tank Economy Engine Oil Changer



- Will extract up to 50 weight of oil at a temperature of 70° F through the engine's dip stick tube, usually in less than 5 minutes.
- Includes: Powerful suction pump with integral power switch, 14 quart holding container, 7' power cord with alligator clips and 8' oil and heat resistant suction tube.



Order No.	Mfg. No. / Description	Price
415340	(17860-2012) 12 volt	\$192.98 G

- Fun & Flotation
- Anchor & Dock
- Safety
- Electronics
- Trolling Motors
- Lighting
- Electrical
- Topside Acc.
- Cockpit & Deck
- Instruments
- Steering, Controls
- Perform.
- Fuel System
- Engine & Parts
- Propellers
- Seating & Pedestals
- Tops & Covers
- Pumps
- Cleaning & Care
- Paint & Paint Acc.
- Hardware, Fasteners
- Trailering
- Misc.
- Comm.

Jabsco Economy Engine Oil Changer



- Will extract up to 50 weight of oil at a temperature of 70° F through the engine's dip stick tube, usually in less than 5 minutes.
- The oil changer includes: Powerful suction pump with integral on/off switch, 10 quart bucket oil receiver with pouring spout, 7' power cord with alligator clips and 8' oil and heat resistant suction tube.
- 12 volt.

Order No.	Mfg. No. / Description	Price
415338	(17850-1012)	\$199.98 G

Jabsco Porta Quick Oil Changer



- Makes quick, clean and easy oil changes on-board any boat, because it uses the vessel's own power supply to operate the powerful oil reservoir mounted flexible impeller pump.
- Includes: Reversible pump, 14 quart holding container, 8' power cord with alligator clips, 4' neoprene hose with 40" Teflon dipstick probe and female garden hose connector.
- 12 volt.

Order No.	Mfg. No. / Description	Price
415326	(17800-2000)	\$299.98 G
418601	(9200-0023-P) Impeller	\$46.98 E

Johnson Pump Gear Oil Change Pump



- All in one complete oil change kit.
- Can run dry!
- Flow 2.6 GPM.
- 6 foot hose length.
- Light and compact gear pump with pump body and gears made of PTFE.
- In cold weather, the gears move the oil more easily than impeller pumps.
- Comes complete with oil dip stick, extraction tube, connection wires and battery clamps.

Order No.	Mfg. No. / Description	Price
470090	(80-47508-01) 12 volt, Fuse Size: 8 amp	\$165.98 G
470091	(80-47508-02) 24 volt, Fuse Size: 6 amp	\$165.98 G
470747	(65000) 12 volt, On Bucket, w/Reinforced Flange Face Design	\$211.98 Q

Shurflo Oil Change System



- These pumps are self-priming, easy to install and are extremely versatile-perfect for a variety of uses including winterizing, oil changing and liquid transfer.
- Ignition protected.
- Buna impeller.
- 5' cable with battery clips.
- Hose kit included and 3.5 gallon storage container.
- Flow rate: 3.75 GPM.
- 12 volt.

Order No.	Mfg. No. / Description	Price
353235	(8050-305-426)	\$194.98 G

Star Brite Star Tron Ring Clean +



- Formulated with latest technology deposit control compounds, plus a proprietary enzyme package designed to remove existing deposits and help prevent the formation of new deposits.
- Improves fuel combustibility to keep engines clean and operating at peak performance levels.
- Keeps carburetors, fuel injectors, intake ports and combustion chambers clean.
- Works in all gas and diesel engines; use every time fuel is added to keep engines in optimal condition.

Order No.	Mfg. No. / Description	Price
627180	(95616) 16 fl. oz.	\$17.98 G

Star Brite Star Tron Carbon Eliminator



- Formulated with the latest technology deposit control compounds, plus a proprietary enzyme package specifically developed to remove even the toughest deposits.
- Formula uses enzyme technology to remove carbon, gum and varnish deposits.
- Free sticky rings to improve performance, reduce fuel consumption, restore power and extend engine life.
- Easy to use; spray directly into carburetor or air intake.
- For use in all gasoline and diesel engines.
- Use at the beginning of each season and every 100 hours of operation.

Order No.	Mfg. No. / Description	Price
627190	(95712) 11.75 fl. oz.	\$12.98 G

OMC® Systematched™ Engine Tune Up Spray



- Removes gum, varnish and excessive carbon deposits from rings, pistons, valves and ports.
- Spray through the intake of a running engine for improved performance.

Order No.	Mfg. No. / Description	Price
B765740	(765740) 13 oz.	\$13.99 MAP

CRC Marine Engine Tune Up and Decarbonizer



- Breaks down carbon, varnish, and other harmful deposits in the combustion chamber.
- Dramatically improves power and performances.
- Solves many rough-idle or power loss problems.

Order No.	Mfg. No. / Description	Price
675807	(06121) 13 fl. oz.	\$8.98 H

CRC Motor Treatment



- Cleans gum, varnish and carbon from the fuel system, injectors, pistons, and combustion chamber.
- Removes moisture from fuel and oil systems and lubricates engine components.

Order No.	Mfg. No. / Description	Price
290535	(05316) 16 fl. oz.	\$10.98 LQ

- Fun & Flotation
- Anchor & Dock
- Safety
- Electronics
- Trolling Motors
- Lighting
- Electrical
- Topside Acc.
- Cockpit & Deck
- Instruments
- Steering, Controls
- Perform.
- Fuel System
- Engine & Parts
- **Engine Care**
- Propellers
- Seating & Pedestals
- Tops & Covers
- Pumps
- Cleaning & Care
- Paint & Paint Acc.
- Hardware, Fasteners
- Trailering
- Misc.
- Comm.

- Fun & Flotation
- Anchor & Dock
- Safety
- Electronics
- Trolling Motors
- Lighting
- Electrical
- Topside Acc.
- Cockpit & Deck
- Instruments
- Steering, Controls
- Perform.
- Fuel System
- Engine & Parts
- Engine Care
- Propellers
- Seating & Pedestals
- Tops & Covers
- Pumps
- Cleaning & Care
- Paint & Paint Acc.
- Hardware, Fasteners
- Trailer
- Misc.
- Comm.

Marpro Carb and Choke Cleaner



- Sprays away varnish and gum.
- Cleans chokes.
- Cleans PCV valves.
- Smooths out the idle and frees sticking parts.

Order No. Description Price
6-4070 12 oz. **\$7.98** |

CRC Marine Carb and Choke Cleaner



- Designed to maximize carburetor performance.
- Quickly dissolves carburetor deposits such as gum, sludge and varnish to improve fuel system performance and enhance fuel economy.

Order No. Mfg. No. / Description Price
289353 (06064) 12 oz. **\$7.98** H

OMC® SystemMatched™ Carb and Choke Cleaner



- High concentrate solvent that removes the toughest gum and varnish deposits.

Order No. Mfg. No. / Description Price
B765743 (765743) 11 oz. **\$8.99** MAP

Gold Eagle Carb and Choke Cleaner



- Dissolves gum, varnish, dirt and carbon deposits.
- Helps restore performance and gas mileage.
- Assures faster starts, smooth idling.

Order No. Mfg. No. / Description Price
2890034 (GC15) 12.5 oz. **\$3.50** Q

CRC Top Engine Cleaner



- Breaks down carbon, varnish and other harmful deposits in the combustion chamber.
- Dramatically improves power and performances.
- Solves many rough idle or power loss problems.

Order No. Mfg. No. / Description Price
290530 (05312) 16 oz. **\$13.98** LQ

Sierra Carbon Free



- Specially designed to improve engine performance and efficiency.
- Thoroughly removes gum, varnish and carbon deposits.
- Cleans intake ports, valves, pistons and combustion chambers.
- Frees sticky rings.
- Designed for regular maintenance of 2 and 4 cycle engines.

Order No. Mfg. No. / Description Price
189570 (18-9570-0) 12 oz. **\$16.36** H

Star Brite Engine Protector



- Protects exterior engine surfaces from rust and corrosion during storage.
- Safe for all metal, rubber, plastic and painted surfaces.
- Simple spray on application.
- Salt spray tested.
- Environmentally safe - does not contain CFCs.

Order No. Mfg. No. / Description Price
999124 (85312) 12 oz. **\$13.98** LQ

CRC Marine Cleaner and Degreaser



- Cleans and degreases marine engines and non-sensitive electrical parts and equipment in place.
- Breaks through tough grease on motors, gears, chains and other metal parts.
- Leaves no residue; non-flammable.

Order No. Mfg. No. / Description Price
290243 (06019) 19 fl. oz. **\$14.98** H

CRC Marine Degreaser - Non-Chlorinated



- Degreases metal parts and non-sensitive marine equipment; removes grease, dirt and oil; leaves no residue.

Order No. Mfg. No. / Description Price
290245 (06020) 14 fl. oz. **\$11.98** H

Marykate Grease Away Engine Degreaser



- Heavy duty engine degreaser.
- Formulated for outboards, inboards, stern drives, machinery, tools and more.
- Spray on/rinse off.
- Contains no petroleum solvents.

Order No. Mfg. No. / Description Price
2899059 (MK5232) 32 fl. oz. **\$16.98** H

Sta-Bil® Fogging Oil



- Stops corrosion in stored engines.
- Coats internal engine components.
- Lubricates and protects cylinders.
- For all 2 and 4-cycle engines.

Order No.	Mfg. No. / Description	Price
Z007957	(22001) 12 fl. oz.	\$6.50 LQ

Star Brite Fogging Oil



- Spray formula coats all interior engine surfaces with a heavy duty polymer coating that prevents corrosion during winter storage.
- Special formula makes starting the engine after storage quick and easy.

Order No.	Mfg. No. / Description	Price
460888	(84812) 12 fl. oz.	\$5.98 G
460889	(84800) Gallon	\$32.98 G

CRC Marine Engine Stor® Fogging Fluid



- As fogging fluid, it protects outboard motors, marine engines and internal combustion engines, insures longer life.
- As long tem metal protectant, it keeps pistons, rings and cylinder walls corrosion free.
- Protects electrical connections in use/storage.

Order No.	Mfg. No. / Description	Price
289175	(06068) 13 oz.	\$7.98 H
289151	(06072) 13 oz., For OMC Motors	\$9.98 H

OMC® SysteMatched™ Fogging Oil



- Spray through the intake of a running engine to protect internal engine components from corrosion caused by condensation that develops during storage or extended periods of non-use.

Order No.	Mfg. No. / Description	Price
B765741	(765741) 12 oz.	\$8.99 MAP
B765742	(765742) Gallon	\$54.99 MAP

OMC® SysteMatched™ Inject Valve and Hose



- For use with fogging oil and internal engine cleaner spray cans to give them injection capabilities.

Order No.	Mfg. No. / Description	Price
B765727	(765727)	\$3.99 MAP

Sierra E-Go! Fuel Injector Cleaning Kit



- For: Mercury, Yamaha, Honda.
- Use 18-8606 E-GO! Blast Fuel Injector Cleaner.
- Contains: Cleaning System Container (18-8601), Hose (18-8602), Small Fitting (18-8603), Large Fitting (18-8604) and Case (18-8605).

Order No.	Mfg. No. / Description	Price
188600	(18-8600)	\$462.97 H

Sierra E-Go! Blast Fuel Injector Cleaner



- Cleans all fuel injector types.
- Prevents rough idling and stalling.
- Reduces intake and port deposits.
- Maximizes fuel economy.
- For: Mercury, Yamaha, Honda.
- Replaces: Mercury 92-8M0062765.
- Use with 18-8600 Fuel Injector Cleaning Kit.

Order No.	Mfg. No. / Description	Price
188606	(18-8606) 16 fl. oz.	\$20.18 H

OMC® Systematched™ Oil Filters



GM LONG FILTER WITH THREAD 13/16" X 16" NPT

- L6, V8 All H.P. 1965-Thru. Replaces: 173233.

Order No.	Mfg. No. / Description	Price
B765564	(765564)	\$10.99 MAP

GM LONG FILTER WITH THREAD 18mm X 1.5

- V6 H.P. 1983-Thru. Replaces: 173834.

Order No.	Mfg. No. / Description	Price
B765576	(765576)	\$10.99 MAP

GM SHORT FILTER WITH THREAD 13/16" X 16" NPT

- L4, L6, V8 H.P. 1965-Thru. Replaces: 502902.

Order No.	Mfg. No. / Description	Price
B765568	(765568)	\$9.99 MAP

FORD LONG FILTER WITH THREAD 3/4" X 16" NPT

- L6, V8 All H.P. 1975-Thru. Replaces: 173231.

Order No.	Mfg. No. / Description	Price
B765586	(765586)	\$10.99 MAP

- Fun & Flotation
- Anchor & Dock
- Safety
- Electronics
- Trolling Motors
- Lighting
- Electrical
- Topside Acc.
- Cockpit & Deck
- Instruments
- Steering, Controls
- Perform.
- Fuel System
- Engine & Parts
- Engine Care**
- Propellers
- Seating & Pedestals
- Tops & Covers
- Pumps
- Cleaning & Care
- Paint & Paint Acc.
- Hardware, Fasteners
- Trailering
- Misc.
- Comm.

Sierra Outboard Oil Filters



Epoxy coating all canisters for corrosion resistance. Using a heavy-wall steel canister for further corrosion protection. Using high-efficiency filter media that meets or exceeds the OE's filtration. Backed by Sierra's industry leading warranty.

Sierra Outboard Oil Filter



- Fits: F9.9/T9.9 1990-2005.
- Replaces: Mercury: 825467A1, 825467T1; Yamaha: 6G8-13440-00-00.

Order No. **187901** Mfg. No. / Description (18-7901) Price **\$15.58 H**

Sierra Outboard Oil Filter



- Thread Spec: 20mm x 1.5.
- Fits: F15 1998-1999, F25 1998-1999, F40 1999-2000, F50/T50 1995-1999, F80/F100 1999.
- Replaces: Yamaha: 3FV-13440-00-00.

Order No. **187902** Mfg. No. / Description (18-7902) Price **\$13.67 H**

Sierra Outboard Oil Filter



- Thread Spec: 3/4" x 16NPT.
- Replaces: Yamaha: 69J-13440-00-00; Mercury: 35-822626T7, Q15.

Order No. **187906** Mfg. No. / Description (18-7906-1) Price **\$9.98 H**

Sierra Outboard Oil Filter

- Thread Spec: 20mm x 1.5.
- Fits: F9.9/T9.9 2006-2007, F15 2000-2007, F25/T25 2000-2006, F30 2001-2006, F40 2001-2006, F50/T50 2000-2005, F60/T60 2002-2005, F75/F90 2003-2006, F80 2000-2003, F100 2000-2002, F115 2001-2006.
- Replaces: Honda: 15400-PFB-007; Nissan: 3R0076150M; Yamaha 5GH-13440-00-00.

Order No. **187911** Mfg. No. / Description (18-7911-1) Price **\$11.63 H**

Sierra Outboard Oil Filter



- Thread Spec: 20mm x 1.5.
- Replaces: Mercury: 35-822626Q2, Q04.

Order No. **187914** Mfg. No. / Description (18-7914) Price **\$8.55 H**

Sierra Outboard Oil Filter



- Thread Spec: 3/4" x 16NPT.
- Replaces: Suzuki 16510-87J00; OMC 778885; OMC 5031411.

Order No. **187915** Mfg. No. / Description (18-7915-1) Price **\$9.82 H**

Sierra Outboard Oil Filter



- Thread Spec: 3/4" x 16NPT.
- Replaces: OMC 434839.

Order No. **187916** Mfg. No. / Description (18-7916) Price **\$11.50 H**

Sierra Outboard Oil Filter



- Thread Spec: 24mm x 1.5.
- For: Verado 200-300 HP, Inline 6 cylinder.
- Replaces: 35-883701K01, 35-877769K01.

Order No. **187918** Mfg. No. / Description (18-7918) Price **\$17.78 H**

Sierra Outboard Oil Filter



- Thread Spec: 24mm x 1.5.
- Replaces: Mercury 35-896546T, 35-877767K01.

Order No. **187921** Mfg. No. / Description (18-7921) Price **\$8.75 H**

Sierra Outboard Oil Filter



- Thread Spec: 3/4" x 16NPT.
- Fits: F350.
- Replaces: Yamaha N26-13440-00-00.

Order No. **187954** Mfg. No. / Description (18-7954) Price **\$28.95 H**

Sierra Outboard Oil Filter



- Thread Spec: 18mm x 1.5.
- Replaces: Volvo: 3827069.

Order No. **187974** Mfg. No. / Description (18-7974) Price **\$27.88 H**

Sierra Outboard Oil Filter



- Replaces: Yamaha 5GH-13440-20.

Order No. **188700** Mfg. No. / Description (18-8700) Price **\$12.67 H**

Sierra Sterndrive and Inboard Oil Filter



- Short Ford.
- Thread Spec: 3/4" x 16NPT.
- Replaces: Chrysler: 3549957, L-19, L-1008; Mercruiser: 803470; OMC: 502904; Volvo: 430143, 1266286, 3517857.

Order No. **187878** Mfg. No. / Description (18-7878-1) Price **\$12.37 H**

Sierra High Performance Oil Filter



- Short GM, Chrome.
- Replaces: Chris-Craft: 16.81-08746; Crusader: 201104, Indmar: 50-1001; Mercruiser: 35-802885Q, 32716, 866340Q02, Q03, 866340K01, Mercruiser Vazer; OMC: 173232, 502902; Pleasurecraft: R077002; Volvo-Penta: 835440; Yamaha: YSC-10231-20-0C.

Order No. **187824C** Mfg. No. / Description (18-7824C) Price **\$11.38 H**

- Fun & Flotation
- Anchor & Dock
- Safety
- Electronics
- Trolling Motors
- Lighting
- Electrical
- Topside Acc.
- Cockpit & Deck
- Instruments
- Steering, Controls
- Perform.
- Fuel System
- Engine & Parts
- Engine Care
- Propellers
- Seating & Pedestals
- Tops & Covers
- Pumps
- Cleaning & Care
- Paint & Paint Acc.
- Hardware, Fasteners
- Trailerling
- Misc.
- Comm.

Sierra Outboard Oil Filters



Epoxy coating all canisters for corrosion resistance. Using a heavy-wall steel canister for further corrosion protection. Using high-efficiency filter media that meets or exceeds the OE's filtration. Backed by Sierra's industry leading warranty.

Sierra Outboard Oil Filter



- Replaces: 15400-POH-305PE, 15400-POH-305, 15400-ZJI-004, 15400-PLM-A01PE.

Order No.	Mfg. No. / Description	Price
187909	(18-7909)	\$10.18 H

Sierra Outboard Oil Filter



- Fits: 75/90/115 H.P. (S/N 1B366823 (2006) & Up).
- Replaces: 35-877761K01, 35-877761Q01.

Order No.	Mfg. No. / Description	Price
187758	(18-7758)	\$9.42 H

Sierra Outboard Oil Filter



- Replaces: Honda 15400-PFB-014, Mercury: 35-822626Q1, Q03.
- Thread Spec: 20mm x 1.5.

Order No.	Mfg. No. / Description	Price
187913	(18-7913)	\$9.55 H

Sierra Diesel Oil Filter



- Thread Spec: 3/4" x 16NPT.
- Replaces: Universal: 299381; Volvo-Penta: 834337.

Order No.	Mfg. No. / Description	Price
187884	(18-7884)	\$13.22 H

Sierra Diesel Oil Filter



- Thread Spec: 20mm x 1.5.
- Replaces: Westerbeke: 30220; Yanmar: 124450-35100.

Order No.	Mfg. No. / Description	Price
187910	(18-7910-1)	\$9.35 H

Sierra Diesel Oil Filter



- Thread Spec: 20mm x 1.5.
- Replaces: Yanmar: 124450-35110, 124550-35110, 171056-35110, 171056-35111.

Order No.	Mfg. No. / Description	Price
187917	(18-7917)	\$23.68 H

Sierra Diesel Oil Filter



- Thread Spec: 1" x 12NPT.
- Replaces: Volvo: 423135, 4785974.

Order No.	Mfg. No. / Description	Price
187926	(18-7926)	\$24.05 H

Sierra Diesel Oil Filter



- Thread Spec: 1-1/8" x 16NPT.
- Replaces: Caterpillar: 1R-0714.

Order No.	Mfg. No. / Description	Price
187927	(18-7927)	\$49.48 H

Star Brite Adjustable Oil Filter Wrench



- Oversized handle for maximum torque.

Order No.	Mfg. No. / Description	Price
451605	(028908) Fits Canister Filters from 2-3/4" to 4" Diameter	\$12.98 G

Sierra Transmission Filter Kit



- For Mercruiser V8 Inboard with Hurth Transmission.
- Replaces: 35-815419.

Order No.	Mfg. No. / Description	Price
187964	(18-7964)	\$122.65 H

- Fun & Flotation
- Anchor & Dock
- Safety
- Electronics
- Trolling Motors
- Lighting
- Electrical
- Topside Acc.
- Cockpit & Deck
- Instruments
- Steering, Controls
- Perform.
- Fuel System
- Engine & Parts
- Engine Care
- Propellers
- Seating & Pedestals
- Tops & Covers
- Pumps
- Cleaning & Care
- Paint & Paint Acc.
- Hardware, Fasteners
- Trailer
- Misc.
- Comm.

Fun & Flotation

Anchor & Dock

Safety

Electronics

Trolling Motors

Lighting

Electrical

Topside Acc.

Cockpit & Deck

Instruments

Steering, Controls

Perform.

Fuel System

Engine & Parts

Propellers

Seating & Pedestals

Tops & Covers

Pumps

Cleaning & Care

Paint & Paint Acc.

Hardware, Fasteners

Trailer

Misc.

Comm.

Permatex Ultra Black® RTV Silicone Gasket Maker



- OEM specified.
- Fast-curing formula.
- Sensor-safe, low odor, noncorrosive.
- Meets performance specs of OE silicone gaskets.
- Retains high flexibility, oil resistance properties through use of patented adhesion system.
- Temperature range -65° F to 500° F (-54° C to 260° C) intermittent; resists auto and shop fluids and vibration.
- Suggested applications: Valve covers, oil pans, intake manifold end seals, timing covers, water pumps and thermostat housings.

Order No. **545167** Mfg. No. / Description (82180) 3.35 oz. Tube Price **\$8.98** Q

Permatex Anaerobic Gasket Maker



- OEM specified.
- Noncorrosive gasketing material designed primarily for use on aluminum, iron and steel flanged mating surfaces.
- Ideal for on-the-spot and emergency repairs, or when a conventional gasket is unavailable.
- Fills gaps up to .015" and cures to a solvent resistant seal that will not tear or decay during service.
- Suggested applications: Water pumps, thermostat housings, crank case flanges drive unit joints and O-ring replacement.

Order No. **5450115** Mfg. No. / Description (51817) .20 oz. Tube Price **\$5.98** H

Order No. **545042** Mfg. No. / Description (51813) 1.69 oz. Tube Price **\$19.98** Q

Permatex High-Temp Red RTV Silicone Gasket Maker



- OEM specified.
- Formulated for hi-temp applications or heavy duty use.
- Replaces almost any cut gasket by making gaskets that resist crackling, shrinking and migrating caused by thermal cycling.
- Coats pre-cut gaskets to increase reliability.
- Temperature range -65° F to 650° F (-54° C to 343° C) intermittent; resists auto and shop fluids.

Order No. **545129** Mfg. No. / Description (81160) 3 oz. Tube Price **\$7.98** Q

Permatex Ultra Copper® RTV Silicone Gasket Maker



- OEM specified.
- For high operating temperatures common in 4 cylinder, turbocharged or high-performance engines.
- Sensor-safe, low odor, noncorrosive.
- Superior adhesion.
- Temperature range -65° F to 700° F (-54° C to 371° C) intermittent; resists auto and shop fluids and vibration.
- Suggested applications: Exhaust manifolds/headers, valve covers, oil pans, intake manifold end seals, water pumps and exhaust tubes.

Order No. **545155** Mfg. No. / Description (81878) 3 oz. Tube Price **\$8.98** Q

Permatex Sensor-Safe Blue RTV Silicone Gasket



- OEM specified.
- The original Permatex Blue now with low odor formula.
- Will not foul oxygen sensors.
- Replaces almost any cut gasket.
- Makes reliable "formed-in-place" gaskets that resist cracking, shrinking and migrating.
- Coats pre-cut gaskets to increase reliability.
- Temperature range -65° F to 500° F (-54° C to 260° C) intermittent; resists auto and shop fluids.
- Suggested applications: Valve covers, oil pans, intake manifold end seals, timing covers, water pumps and thermostat housings.

Order No. **545092** Mfg. No. / Description (80022) 3 oz. Tube Price **\$4.99** Q

Boatlife Marine Instant Gasket



- Silicone gasket compound withstands temperatures up to 500° F.
- Quickly and easily replaces any size gasket.
- Fast-curing, high-performance formula will not corrode metal.
- Ideally suited for marine engines.
- Noncorrosive.
- Neutral cure.

Order No. **248575** Mfg. No. / Description (1075) 2.8 fl. oz. Tube Price **\$16.98** I

Permatex Aviation Form-A-Gasket® No. 3 Sealant Liquid



- Slow-drying, non-hardening brush-top sealant approved for use in aviation as well as automotive applications.
- Temperature range -65° F to 400° F (-54° C to 204° C); resists gasoline, oil and grease.
- Suggested applications: Close-fitting machined surfaces, sealing hoses and solid gaskets.

Order No. Mfg. No. / Description Price
545080 (80019) 4 oz. Bottle **\$7.98** Q

Permatex Super "300" Form-A-Gasket® Sealant



- Non-hardening sealant designed to resist heat transfer fluids such as oil or antifreeze.
- Temperature range -65° F to 400° F (-54° C to 204° C); resists antifreeze, aviation fuels, aggressive detergent bearing oils and lubricants.

Order No. Mfg. No. / Description Price
5450129 (80057) 4 oz. Bottle **\$7.98** H

Permatex Form-A-Gasket® No. 2 Sealant



- Slow-drying, non-hardening brush-top sealant approved for use in aviation as well as automotive applications.
- Temperature range -65° F to 400° F (-54° C to 204° C); resists gasoline, oil and grease.
- Suggested applications: Valve cover gaskets and oil pan gaskets.

Order No. Mfg. No. / Description Price
545078 (80015) 1.5 oz. Tube **\$4.29** Q

Loctite® Gasket Maker



- Gel sealant can be used in place of cut gaskets to seal cylinder block to crankcase half on many current Outboard, Inboard and I/O models.
- Used to make, coat or repair gaskets in minutes.
- Red.

Order No. Mfg. No. / Description Price
189017 (37394) 50 ml. **\$31.58** H

Permatex Gasket Remover - Low VOC Formula



- This low VOC formulation combines powerful gasket remover strength with an innovative delivery system.
- Its fast-foaming action penetrates the most stubborn or baked-on gaskets in 15-20 minutes.
- The built-in brush-tip was designed for easy application and allows for scrubbing on intricate surfaces.
- This product is NOT recommended for use on silicone gaskets.

Order No. Mfg. No. / Description Price
5450119 (80645) 4 oz. Power Can **\$16.98** H

3M Ultrapro™ High Temp Silicone Gasket



- A rapid curing form-in-place silicone gasket adhesive/sealant for use on engines.
- It is a flexible, noncorrosive, oxygen sensor safe compound that can be used as a gasket material for valve covers, oil pans and other engine and transmission applications.
- Can be used in applications up to 600° F including valve covers, oil and transmission pans, intake manifolds, water pumps, timing chain covers and thermostat housings.

Order No. Mfg. No. / Description Price
856382 (08672) 3 oz. Tube, Black **\$16.98** H

Fun & Flotation

Anchor & Dock

Safety

Electronics

Trolling Motors

Lighting

Electrical

Topside Acc.

Cockpit & Deck

Instruments

Steering, Controls

Perform.

Fuel System

Engine & Parts

Engine Care

Propellers

Seating & Pedestals

Tops & Covers

Pumps

Cleaning & Care

Paint & Paint Acc.

Hardware, Fasteners

Trailering

Misc.

Comm.

Marpro Color Matched Engine Spray Paint



- Easy to use aerosols deliver professional results every time.
- Ideal for entire outboard and sterndrive reconditioning or touch up!
- Acrylic lacquer formula for a long lasting glossy base coat marine finish.
- It also protects with UV inhibitors!
- Excellent solvent, gasoline and wear resistance.
- Meet VOC requirements.
- 12 oz. canister.
- To achieve the finest deep gloss finish available use Marpro Clear Coat 6-6995 as the final coat.
- Price per can.

HONDA MOTOR COLORS

6-7021 Silver Metallic **\$9.98** |

JOHNSON/EVINRUDE MOTOR COLORS

6-6954 Light Blue (Metallic), OEM #173547, 1978-1987 **\$9.98** |

6-6961 White, OEM #173744, 1981-Present **\$9.98** |

MERCURY MOTOR COLORS

6-1258 Phantom Black, OEM #92-78373-12, 1960-Present **\$9.98** |

OMC DRIVE SYSTEM COLORS

6-6979 Charcoal (Metallic), OEM #395127, 1985-Present **\$9.98** |

SUZUKI MOTOR COLORS

6-7040 Shadow Black **\$9.98** |

6-7045 Charcoal Grey **\$9.98** |

YAMAHA MOTOR COLORS

6-6969 Metallic Blue Silver OEM #LUB-87PNT-SL-VR, 1985-Present **\$9.98** |

6-7003 Metallic Dark Blue **\$9.98** |

6-7004 Dark Blue/Gray OEM 4D **\$9.98** |

6-7008 Dark Blue OEM 8D **\$9.98** |



Marpro Outboard Motor Spray Paint Display



- This display includes the following:
 - (4) 6-1258 - Phantom Black, Mercury
 - (4) 6-6954 - Light Blue (Metallic), J/E
 - (4) 6-6961 - White, Johnson/Evinrude
 - (4) 6-6979 - Charcoal (Metallic), OMC
 - (4) 6-6969 - Metallic Blue Silver, Yamaha
 - (4) 6-7003 - Metallic Dark Blue, Yamaha
 - (4) 6-7021 - Silver Metallic, Honda
 - (4) 6-7040 - Shadow Black, Suzuki
 - (4) 6-7045 - Charcoal Gray, Suzuki
 - (4) 6-6995 - Clear Coat
 - (4) 6-0800 - Cold Zinc Galvanizing
 - (4) 6-5605 - Zinc Chromate Primer, Green

Order No.	Description	Price
6-9998	Outboard Motor Spray Paint Display	\$417.98 G
6-9999	Display Rack Only	\$43.98 B

Marpro Inboard/Generator Engine Colors



- Factory matched colors.
- Resistant to oil and gasoline.
- Fuses to the engine surface.
- Can be recoated anytime.
- Quick dry formula formulated for the marine environment.
- 12 oz. can.

Order No.	Description	Price
6-0214	New Caterpillar Yellow	\$9.98
6-0225	GM Green	\$9.98

Marpro Clear Coat

- Provides that professional finish to reach a deep clear coat finish.
- Specifically formulated for the Marine environment with U.V. inhibitor restore older finishes to a higher gloss.
- Many manufactures use this final clear coat finish over color base coats to provide added depth and protection.
- Can be reapplied at any time with minor surface cleaning prep.
- Meet VOC requirements.

Order No.	Description	Price
6-6995	12 oz. Can	\$9.98



Marpro Zinc Chromate Primers



- Superior bonding to aluminum lower units.
- Formulated to work with engine paints.
- For use below water line.
- Protects against corrosion.
- Quick-dry formula.
- 12 oz. can.

Order No.	Description	Price
6-5605	Green	\$12.98
6-5606	Yellow	\$12.98

Marpro Cold Zinc Galvanizing



- 95% pure zinc formula.
- Recommended for steel and iron surfaces (including welded joints).
- Perfect for hardware corrosion protection.
- Resists abrasions and solvents.
- Quick-dry formula.

Order No.	Description	Price
6-0800	13 oz. Can	\$9.98

Marpro Drivesleek™ Outdrive Paint



- Full season protection.
- Excellent for outdrives, propellers, shafts, bow thrusters, rudders, trim tabs.
- Compatible with other existing coatings.
- 12 oz. can.

Order No.	Description	Price
7-2594	Black	\$28.98 E
7-2595	Primer	\$26.98

Fun & Flotation

Anchor & Dock

Safety

Electronics

Trolling Motors

Lighting

Electrical

Topside Acc.

Cockpit & Deck

Instruments

Steering, Controls

Perform.

Fuel System

Engine & Parts

Engine Care

Propellers

Seating & Pedestals

Tops & Covers

Pumps

Cleaning & Care

Paint & Paint Acc.

Hardware, Fasteners

Trailing

Misc.

Comm.

SkegShield Skeg Guards

- Protect your outboard or stern drive from damage with SkegShield skeg protector. Made of durable 316 marine grade mirror finished stainless steel.
- Reinforced lower edge for protection that makes SkegShield twice as strong as the OEM skeg and an EXCLUSIVE drain hole to prevent water retention & corrosion.
- NO Welding - NO Messy glue, adhesive or epoxy NO curing or down time.
- Be back on the water in under 30 minutes and we don't affect performance.
- 3 year warranty.

- Johnson/Evinrude: 85-140 HP, 2 Stroke 1980-2001.
- OMC: Cobra 4 Cylinder Stern 1986-1994 (No King Cobra).

Order No. Mfg. No. / Description Price
4830042 (SS00506) **\$142.98** H

- Evinrude: 150-225 HP, 2 Stroke 1986-2003; 150-200 HP ETEC, 2 Stroke, 20" Shaft, 2004 - Current.
- Johnson: 150-225 HP, 2 Stroke 1986-2003.
- OMC: Cobra 6 and 8 Cylinder Stern 1986-1994 (No King Cobra).
- Suzuki: 300 HP, 4 Stroke 2009 - Current.

Order No. Mfg. No. / Description Price
990083 (SS00508) **\$142.98** H

- Evinrude: 40-50 HP, 4 Stroke 1999-2003 (by Suzuki).
- Mercury/Mariner: 40-60 HP, 2 and 4 Stroke 2003 - Current.

Order No. Mfg. No. / Description Price
4830047 (SS00513) **\$142.98** H

- Johnson/Evinrude: 60-140 HP, 4 Stroke 1999-2003.
- Suzuki (No DFA): 90-140 HP, 4 Stroke 2003 - Current.

Order No. Mfg. No. / Description Price
4830052 (SS00518) **\$142.98** H

- Force: 70 and 90 HP, 2 Stroke 1998-2002.
- Honda: 75-115 HP, 4 Stroke 1995-2007.
- Mercury/Mariner: 40-60 HP, 2 and 4 Stroke (Big Foot) 2003 - Current; 70-80 HP, 2 and 4 Stroke 1984 - Current; 90-125 HP, 2 and 4 Stroke 1983 - Current (Including Optimax).
- Nissan/Tohatsu: 70-140 HP, 2 Stroke 1993 - Current.
- Yamaha: 60-100 HP, 2 Stroke 1998-2001.

Order No. Mfg. No. / Description Price
990022 (SS00504) **\$142.98** H

- Mercruiser: Alpha I Drives 1985-1990.

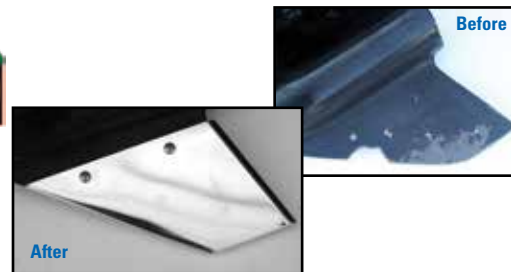
Order No. Mfg. No. / Description Price
990021 (SS00501) **\$142.98** H

- Mercruiser: Alpha I Generation II 1991 - Current.

Order No. Mfg. No. / Description Price
990033 (SS00502) **\$142.98** H

- Mercruiser: Bravo 1 and 3 Drives 1990 - Current.

Order No. Mfg. No. / Description Price
990057 (SS00503) **\$142.98** H



- Force: 70-75 HP, 2 Stroke 1991-1997.
- Honda: 35-50 HP, 4 Stroke 1991 - Current; 90 HP, 4 Stroke 2008 - Current.
- Mercury/Mariner: 40-60 HP, 2 Stroke 1986-2002.
- Suzuki (No DFA): 40-70 HP, 4 Stroke 2003 - Current.
- Nissan/Tohatsu: 35-50 HP, 2 Stroke 1993 - Current.
- Yamaha: 40-48, 50-85 HP, 2 Stroke 1984-2000.

Order No. Mfg. No. / Description Price
4830051 (SS00517) **\$142.98** H

- Mercury/Mariner: 135-200 HP, 2 and 4 Stroke 1978-2005; 225 HP, 2 Stroke 1978-1995.

Order No. Mfg. No. / Description Price
990069 (SS00505) **\$142.98** H

- Mercury/Mariner: 150-275 HP, 2 and 4 Stroke 2005 - Current (Including Verado and Optimax); 225 HP, 2 Stroke 1996-2004.

Order No. Mfg. No. / Description Price
990092 (SS00514) **\$142.98** H

- Suzuki: 150-225 HP, 2 Stroke 1986-2002; 150-225 HP, 4 Stroke 2003 - Current.

Order No. Mfg. No. / Description Price
4830053 (SS00519) **\$142.98** H

- Yamaha: 115-130 HP, 2 Stroke 1984-2002; 150 HP, 2 and 4 Stroke 1984 - Current; 150-350 HP, 4 Stroke 2004 - Current; 175-250 HP, 2 Stroke 1984-2002 and all Stern Drives 1989-1993.
- Suzuki: 250 SS and 300 SS HP, 4 Stroke 2006 - Current.

Order No. Mfg. No. / Description Price
990015 (SS00512) **\$142.98** H

- Yamaha: 115-130 HP, 2 Stroke 2003 - Current; 115-130 HP, 4 Stroke 2000 - Current.

Order No. Mfg. No. / Description Price
990098 (SS00516) **\$142.98** H

- Yamaha: 60-100 HP, 2 and 4 Stroke 2002 - Current.

Order No. Mfg. No. / Description Price
990095 (SS00515) **\$142.98** H

- Yamaha: VMAX 200 HP 1998-2005, 225 HP 1998-2004, 250 HP 2002-2004.

Order No. Mfg. No. / Description Price
4830056 (SS00522) **\$142.98** H

SkegShield/KeelShield® Display

- Display includes:
- 482016 (KS-5WHT) Keelshield - White, Length 5'
- 482020 (KS-6WHT) Keelshield - White, Length 6'
- 482028 (KS-7WHT) Keelshield - White, Length 7'
- 482022 (KS-7BLK) Keelshield - Black, Length 7'
- 990015 (SS00512) SkegShield - Suzuki/Yamaha
- 990021 (SS00501) SkegShield - Mercruiser
- 990022 (SS00504) SkegShield - Force/Honda/Mer/Mar/Nis/Toh/Yamaha
- 990033 (SS00502) SkegShield - Mercruiser
- 990057 (SS00503) SkegShield - Mercruiser
- 990069 (SS00505) SkegShield - Mercury/Mariner
- 990083 (SS00508) SkegShield - Johnson/Evinrude/OMC/Suzuki
- Header Card with (2) Wide Base Sign Holder

Order No. Mfg. No. / Description Price
990099 SkegShield/KeelShield Display **\$1,886.98** G



Fun & Flotation

Anchor & Dock

Safety

Electronics

Trolling Motors

Lighting

Electrical

Topside Acc.

Cockpit & Deck

Instruments

Steering, Controls

Perform.

Fuel System

Engine & Parts

Engine Care

Propellers

Seating & Pedestals

Tops & Covers

Pumps

Cleaning & Care

Paint & Paint Acc.

Hardware, Fasteners

Trailering

Misc.

Comm.

Skeg Depot Replacement Skegs



- Manufactured to truly match the original size and shape.
- Polished to a smooth finish ready to prime and paint.
- The strongest and most labor and time saving "Replacement" skegs available.

Order No.	Mfg. No. / Description	Price
JOHNSON/EVINRUDE		
2004550	(S-E23L) 25-35 HP, Later Models	\$35.98 H
MERCURISER		
2004610	(S-M1991) Alpha I, 1991 thru 1999	\$35.98 H
YAMAHA		
2004690	(S-Y45) 40-50 HP	\$35.98 H
2004700	(S-YV6) 115-220 HP	\$35.98 H

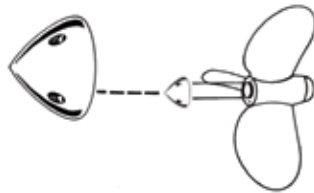
Camp Sea Strainer Zinc Anode



- Dimensions: 3-7/8" L x 1-1/2" W.

Order No.	Mfg. No. / Description	Price
338510	(SZ1)	\$6.98 L

Camp Maxi-Prop Propeller Zinc Anode



- Shaft size: 3/4", 7/8", 1", 1-1/8".
- For 2001 and older propellers only.

Order No.	Mfg. No. / Description	Price
338097	(63M)	\$7.98 H

Camp Grouper Zinc Anode



- Comes with 20 ft. of galvanized wire rope and an electrical connector with instruction sheet enclosed.
- 6 lbs.

Order No.	Mfg. No. / Description	Price
269330	(GP-1)	\$82.98 K

T-H Marine Replacement Skegs



- Solid cast aluminum replacement skegs for outboard and sterndrive (I/O) lower units.
- Easily cut to shape.
- Welds to existing lower unit to bring back original performance, handling and appearance.
- **642431** - 85 to 140 HP.

Order No.	Mfg. No. / Description	Price
642428	(RS-1-DP) For Bombardier, E/J, OMC & Yamaha V6 O/B's	\$28.98 R
642431	(RS-2-DP) For Bombardier, E/J, OMC & Yamaha V4 O/B's	\$28.98 R
642404	(RS-4-DP) For Mercury V6 O/B's & Mercruiser Sterndrives	\$28.98 R

T-H Marine Torque Tab



- A simple solution to eliminate right hand steering torque caused by directional rotation of propeller.
- Can be painted to match your boats lower unit.
- Inexpensive, simple to install and does not impact your boats speed, performance or handling.
- Cast aluminum construction comes with installation hardware and instructions.

Order No.	Mfg. No. / Description	Price
641353	(TAB-1-DP)	\$23.98 H

Tear Drop Zinc Anodes



Order No.	Mfg. No. / Description	Price
269755	(MDT-20) Dimensions: 3-1/2" L x 1-3/4" W	\$6.98 I
269779	(MDT-21) Dimensions: 5-1/4" L x 2" W	\$15.98 I

Martyr Sea Strainer Aluminum Anode (Doka)



- Dimensions: 3.25" L x 1.20" W x .45" T.

Order No.	Mfg. No. / Description	Price
620157	(CM656934A)	\$2.99 H

Martyr Bennett Trim Tab Anode Kit



- Zinc anodes for salt water.
- Fits Bennett Trim Tabs.
- Kit includes: (2) Anodes and stainless steel mounting hardware.

Order No.	Mfg. No. / Description	Price
620159	(CMBNT1AKITZ)	\$17.98 H

Fun & Flotation

Anchor & Dock

Safety

Electronics

Trolling Motors

Lighting

Electrical

Topside Acc.

Cockpit & Deck

Instruments

Steering, Controls

Perform.

Fuel System

Engine & Parts

Engine Care

Propellers

Seating & Pedestals

Tops & Covers

Pumps

Cleaning & Care

Paint & Paint Acc.

Hardware, Fasteners

Trailer

Misc.

Comm.

Zinc anodes should be use for saltwater applications.
Aluminum anodes should be used for saltwater or brackish water applications.
Magnesium anodes should be used for freshwater applications.

Anodes for Honda

Meets all MIL-A-18001-H specifications. Used as sacrificial anodes to protect propellers, struts, bearings, etc. from underwater electrolysis.

EMP Honda Outboard Zinc Anode



- BF75-BF90 HP, 1997-98.
- Replaces: 41107-ZW1-003ZA.

Order No.	Mfg. No. / Description	Price
4-6011	(93-04000)	\$11.77 H

Sierra Honda Outboard Anodes



- BF75-BF90 HP, 1997-98.
- Replaces: 41107-ZW1-003ZA.

Order No.	Mfg. No. / Description	Price
186011	(18-6011) Zinc	\$12.55 H
186011A	(18-6011A) Aluminum	\$13.10 H

Sierra Honda Outboard Magnesium Anode



- BF75-BF90 HP, 1997-98.
- Replaces: 41107-ZW1-003ZA.

Order No.	Mfg. No. / Description	Price
186241	(18-6241)	\$13.92 H

Anodes for Johnson/Evinrude and OMC

Meets all MIL-A-18001-H specifications. Used as sacrificial anodes to protect propellers, struts, bearings, etc. from underwater electrolysis.

Johnson/Evinrude Outboard Zinc Anode



- For all outboards.

Order No.	Mfg. No. / Description	Price
269033	(C173)	\$8.98 K

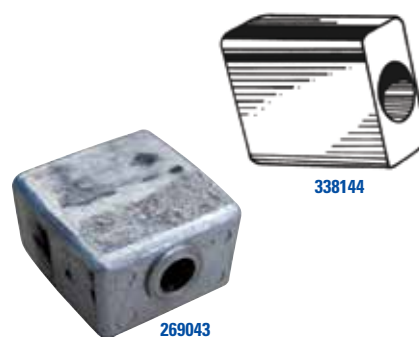
Johnson/Evinrude Outboard Zinc Anode



- Dimensions: 3" x 4-5/8".

Order No.	Mfg. No. / Description	Price
269040	(392123)	\$35.98 I

Johnson/Evinrude Outboard Zinc Anodes



269043

338144

OMC Outdrive Zinc Anode - Low Profile



- Low profile.

Order No.	Mfg. No. / Description	Price
338128	(38554112)	\$30.98 H

OMC Outdrive Zinc Anode - Cobra



- Cobra.

Order No.	Mfg. No. / Description	Price
269038	(984547)	\$35.98 H

OMC Outdrive Zinc Anode - Transom Bar



- Length 7-5/8".
- Hole centers 6-15/16".

Order No.	Mfg. No. / Description	Price
269034	(367)	\$16.98 I

OMC Outdrive Zinc Anode - Cobra



- Cobra.

Order No.	Mfg. No. / Description	Price
269037	(CM984513Z)	\$37.98 L

OMC/Volvo Outdrive Zinc Anode



Order No.	Mfg. No. / Description	Price
338124	(3854130)	\$29.98 K

Sierra Johnson/Evinrude Outboard Zinc Anode



- Replaces: 431708.
- Fits 1988-90 45-300 HP.
- For use on Prop Shaft Bearing Carrier.

Order No.	Mfg. No. / Description	Price
186095	(18-6095)	\$18.67 H

Sierra OMC/Cobra Sterndrive and J/E Zinc Anode



- For use on gearcases. 1982-13.
- Replaces: 393023, 436745.

Order No.	Mfg. No. / Description	Price
338144	(398331) Clamp Bracket	\$14.98 H
269043	(393023) 1" x 1-3/8"	\$8.98 I
269044	(433580) 50-225 HP, 1991 to Pre.	\$17.98 H

Order No.	Mfg. No. / Description	Price
186024	(18-6024)	\$14.05 H

- Fun & Flotation
- Anchor & Dock
- Safety
- Electronics
- Trolling Motors
- Lighting
- Electrical
- Topside Acc.
- Cockpit & Deck
- Instruments
- Steering, Controls
- Perform.
- Fuel System
- Engine & Parts
- Engine Care**
- Propellers
- Seating & Pedestals
- Tops & Covers
- Pumps
- Cleaning & Care
- Paint & Paint Acc.
- Hardware, Fasteners
- Trailering
- Misc.
- Comm.

Zinc anodes should be use for saltwater applications.
Aluminum anodes should be used for saltwater or brackish water applications.
Magnesium anodes should be used for freshwater applications.

Anodes for Mercury and Mercruiser

Meets all MIL-A-18001-H specifications. Used as sacrificial anodes to protect propellers, struts, bearings, etc. from underwater electrolysis.

Mercury/ Mariner Outboard Zinc Anodes



Order No.	Mfg. No. / Description	Price
269004	(818298)	\$11.98 R
269005	(826134) 90-120 HP, 2 Required	\$6.98 R

Mercury Zinc Waffle Plate - 75-115 HP



- 75-115 HP.
- Dimensions: 7-5/8" x 2".

Order No.	Mfg. No. / Description	Price
269028	(43396)	\$16.98 I

Mercruiser Zinc Anode



Order No.	Mfg. No. / Description	Price
268979	(34762)	\$5.98 R

Mercury Outboard Zinc Anode



Order No.	Mfg. No. / Description	Price
269026	(76214)	\$11.98 I

Mercury/Mariner Outboard Zinc Anode



- 200, 225, 250 HP, V-155 - V-200 and All Bravos.
- Replaces: Mercury Marine 76214, 76214T3, 76214Q5.

Order No.	Mfg. No. / Description	Price
186016	(18-6016)	\$21.75 H

Mercury/Mariner Outboard Magnesium Anode



- 200, 225, 250 HP, V-155 - V-200 and All Bravos.
- Replaces: Mercury Marine 76214, 76214T3, 76214Q5.

Order No.	Mfg. No. / Description	Price
186244	(18-6244)	\$21.75 H

Mercruiser Zinc Nut



- 1-1/4" OD, Length 1-1/8".

Order No.	Mfg. No. / Description	Price
269084	(55989)	\$6.98 I

Mercury Long Zinc Tab



Order No.	Mfg. No. / Description	Price
269022	(34127)	\$16.98 LQ

Mercury Racing Zinc Tab



Order No.	Mfg. No. / Description	Price
269027	(46399)	\$10.98 I

Mercury Short Zinc Tab



- Base OD 3-1/2".

Order No.	Mfg. No. / Description	Price
269010	(31640)	\$14.98 I

Mercury/Mariner Outboard Zinc Anode



- Use on inline 3, 4 and 6 cylinder, V6.
- Replaces: Mercury Marine 31640, 31640A1, 31640Q4, 31640T6.

Order No.	Mfg. No. / Description	Price
186011	(18-6011)	\$12.55 H

Mercury/Mariner Outboard Magnesium Anode



- Use on inline 3, 4 and 6 cylinder, V6.
- Replaces: Mercury Marine 31640, 31640A1, 31640Q4, 31640T6.

Order No.	Mfg. No. / Description	Price
186241	(18-6241)	\$13.92 H

- Fun & Flotation
- Anchor & Dock
- Safety
- Electronics
- Trolling Motors
- Lighting
- Electrical
- Topside Acc.
- Cockpit & Deck
- Instruments
- Steering, Controls
- Perform.
- Fuel System
- Engine & Parts
- Propellers
- Seating & Pedestals
- Tops & Covers
- Pumps
- Cleaning & Care
- Paint & Paint Acc.
- Hardware, Fasteners
- Trailer
- Misc.
- Comm.

Zinc anodes should be use for saltwater applications.
 Aluminum anodes should be used for saltwater or brackish water applications.
 Magnesium anodes should be used for freshwater applications.

Mercuriser Zinc Anode - Alpha



Order No.	Mfg. No. / Description	Price
268983	(806105)	\$13.98 R
269000	(806189)	\$3.79 K
269002	(815933)	\$14.98 R
269030	(43994) Dim.: 3-3/4" x 3"	\$19.98 I

Sierra Mercuriser Magnesium Anode - Alpha One (Gen II)



• For Alpha One (Gen II), 1991 and up.

Order No.	Mfg. No. / Description	Price
186079	(18-6079) Replaces: 806105	\$34.15 H
186099	(18-6099) Replaces: 821629	\$35.57 H
186114	(18-6114) Replaces: 806189	\$17.48 H

Sierra Mercuriser Magnesium Anode - R/MR/Alpha One



Order No.	Mfg. No. / Description	Price
186243	(18-6243) Sterndrive & Transom Assembly 1983-90	\$29.02 H

Sierra Mercuriser Zinc Anode - Alpha One (Gen II)



• For Alpha One (Gen II), 1991 and up.

Order No.	Mfg. No. / Description	Price
186080	(18-6080) Replaces: 821629	\$33.22 H

Martyr Alpha I Generation I Aluminum Anode Kit



• Fits Alpha I Generation I Engine 1983 -1990.

Order No.	Mfg. No. / Description	Price
620164	(CMALPHAG1KIT)	\$37.98 H

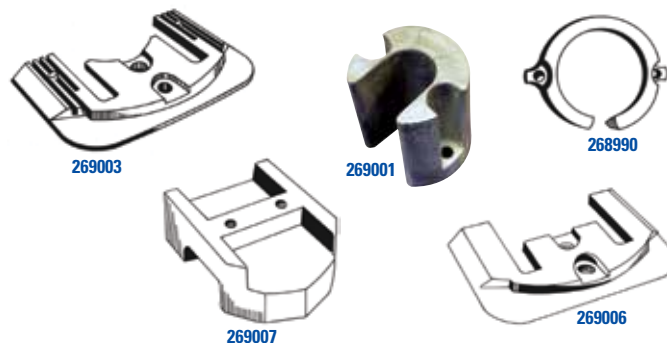
Martyr Alpha I Generation I Aluminum Trim Tab Anode Kit



• Fits Alpha I Generation I Engine.

Order No.	Mfg. No. / Description	Price
620178	(CM31640KITA)	\$12.98 H

Mercuriser Zinc Anodes - Bravo



Order No.	Mfg. No. / Description	Price
268990	(806188)	\$11.98 R
269001	(806190)	\$5.98 R
269003	(817373)	\$14.98 R
269006	(821630)	\$14.98 R
269007	(821631)	\$24.98 R

Martyr Alpha I Generation II Aluminum Anode Kit



• Fits Alpha I Generation II Engine 1991 - Present.

Order No.	Mfg. No. / Description	Price
620163	(CMALPHAKITA)	\$61.98 H

Sierra Mercuriser Magnesium Anode - Bravo



• All Bravos.

Order No.	Mfg. No. / Description	Price
186089	(18-6089) Replaces: 806190	\$38.53 H
186240	(18-6240) Replaces: 821630	\$33.43 H

Martyr Bravo I Aluminum Anode Kit



• Fits Bravo I Engine 1988 - Present.

Order No.	Mfg. No. / Description	Price
620162	(CMBRAVO1KITA)	\$49.98 H

- Fun & Flotation
- Anchor & Dock
- Safety
- Electronics
- Trolling Motors
- Lighting
- Electrical
- Topside Acc.
- Cockpit & Deck
- Instruments
- Steering, Controls
- Perform.
- Fuel System
- Engine & Parts
- Engine Care**
- Propellers
- Seating & Pedestals
- Tops & Covers
- Pumps
- Cleaning & Care
- Paint & Paint Acc.
- Hardware, Fasteners
- Trailering
- Misc.
- Comm.

Zinc anodes should be use for saltwater applications.
 Aluminum anodes should be used for saltwater or brackish water applications.
 Magnesium anodes should be used for freshwater applications.

Martyr Bravo II and III Aluminum Anode Kit

Martyr



- Fits Bravo II 1989 - Present and Bravo III 1989-2003.

Order No.	Mfg. No. / Description	Price
620168	(CMBRAVO23KIT)	\$44.98 H

Martyr Bravo III Aluminum Anode Kit

Martyr



- Fits Bravo III 2004 - Present.

Order No.	Mfg. No. / Description	Price
620170	(CMBRAVO3KITA)	\$57.98 H

Martyr Bravo III Aluminum Anode Kit

Martyr



- Fits Bravo III 2004 - Present.

Order No.	Mfg. No. / Description	Price
620169	(CM762144KITA)	\$16.98 H

Martyr Verado Aluminum Anode Kits

Martyr



Order No.	Mfg. No. / Description	Price
620165	(CMVERADO4KIT) Fits Verado 4 Engine	\$47.98 H
620167	(CMVERADO6KIT) Fits Verado 6 Engine	\$64.98 H

Suzuki Outboard Zinc Anode



- 150-200 HP.

Order No.	Mfg. No. / Description	Price
338156	(55125-87D00)	\$9.98 H

Volvo Outdrive Zinc Anodes



Order No.	Mfg. No. / Description	Dimensions	Price
269285	(832598) 250-270 HP	Dimensions: 7-3/8" L	\$27.98
269286	(852835) 290B HP	Dimensions: 5-1/4" L	\$31.98

Duo Prop Zinc for Volvo Sterndrive



- For Models: Duo Prop.

Order No.	Mfg. No. / Description	Price
269292	(875821)	\$24.98

Martyr Volvo Aluminum Anode Kits

Martyr



Order No.	Mfg. No. / Description	Price
620171	(CM280DPKITA) Fits Volvo 280 Dual Prop Engine	\$36.98 LQ
620173	(CMSXKITA) Fits Volvo SX Engine	\$60.98 LQ
620175	(CM290KITA) Fits Volvo 290 Engine	\$36.98 LQ
620177	(CM290DPKITA) Fits Volvo 290 Dual Prop Engine	\$39.98 LQ

- Fun & Flotation
- Anchor & Dock
- Safety
- Electronics
- Trolling Motors
- Lighting
- Electrical
- Topside Acc.
- Cockpit & Deck
- Instruments
- Steering, Controls
- Perform.
- Fuel System
- Engine & Parts
- Engine Care
- Propellers
- Seating & Pedestals
- Tops & Covers
- Pumps
- Cleaning & Care
- Paint & Paint Acc.
- Hardware, Fasteners
- Trailer
- Misc.
- Comm.

Zinc anodes should be use for saltwater applications.
 Aluminum anodes should be used for saltwater or brackish water applications.
 Magnesium anodes should be used for freshwater applications.

Anodes for Yamaha

Meets all MIL-A-18001-H specifications. Used as sacrificial anodes to protect propellers, struts, bearings, etc. from underwater electrolysis.

Yamaha Outboard Zinc Anode



- 70 HP.

Order No.	Mfg. No. / Description	Price
338120	(6884537102)	\$22.98 I

Yamaha Outboard Zinc Anode



- 150-200 HP.

Order No.	Mfg. No. / Description	Price
338118	(6J9-45371-00)	\$14.98 H

Yamaha Outboard Zinc Anode



- 90-200 HP.
- Base OD 3-5/8"

Order No.	Mfg. No. / Description	Price
269295	(6E54537101)	\$38.98 I

Sierra Yamaha Outboard Zinc Anode



- 70-90 HP, 1986-06.
- Replaces: 688-45371-02-00.

Order No.	Mfg. No. / Description	Price
186070	(18-6070)	\$15.45 H

Sierra Yamaha Outboard Zinc Anode



- 150-200 HP and F150 HP, 1986-06.
- Replaces: 6J9-45371-01-00.

Order No.	Mfg. No. / Description	Price
186035	(18-6035)	\$25.28 H

Sierra Yamaha Outboard Zinc Anode



- 115-130 HP, 1984-04 and V6 Special 1984-86.
- Replaces: 6E5-45371-01-00.

Order No.	Mfg. No. / Description	Price
186097	(18-6097)	\$31.68 H

Yamaha Outboard Zinc Anode



269298



269297

Order No.	Mfg. No. / Description	Price
269297	(6K1-45371-00) Standard Rotation	\$29.98 R
269298	(6K1-45371-02) Counter Rotation	\$38.98 R

Sierra Yamaha Outboard Magnesium Anode



- 150-200 HP and F150 HP, 1986-06.
- Replaces: 6J9-45371-01-00.

Order No.	Mfg. No. / Description	Price
186112	(18-6112)	\$34.07 H

Yamaha Outboard Zinc Anode



- 225-250 HP.

Order No.	Mfg. No. / Description	Price
338093	(61A45371)	\$14.98 H

Sierra Yamaha Outboard Zinc Anode



- 150-200 HP 1986.
- Replaces: 6K1-45371-00-00.

Order No.	Mfg. No. / Description	Price
186034	(18-6034)	\$56.42 H

Sierra Yamaha Zinc Trim Tab Anode



- Replaces: 61A-45371-00-00.

Order No.	Mfg. No. / Description	Price
186119Z	(18-6119Z)	\$37.23 H

Yamaha Outboard Zinc Anode



- 115-200 HP.

Order No.	Mfg. No. / Description	Price
338106	(6G5-45251-01)	\$21.98 H

Sierra Yamaha Outboard Zinc Anode



- 150-200 H.P. 1986-2006.
- Replaces: 6G5-45251-01-00.

Order No.	Mfg. No. / Description	Price
186090	(18-6090)	\$25.13 H

Martyr Yamaha Aluminum Anode Kits

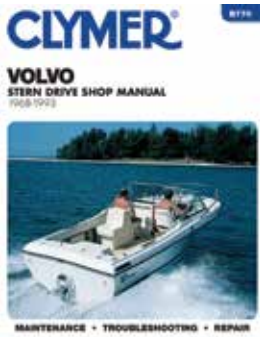


Order No.	Mfg. No. / Description	Price
620179	(CMY150CRKITA) Fits Yamaha 150-200 HP Outboards (Counter Rotation)	\$31.98 H
620181	(CMY150KITA) Fits Yamaha 150-200 HP Outboards	\$34.98 H
620183	(CMY200250KIT) Fits Yamaha 200-250 HP Outboards	\$35.98 H
620185	(CMYHP200300K) Fits Yamaha High Performance 200-300 HP Outboards	\$35.98 H

- Fun & Flotation
- Anchor & Dock
- Safety
- Electronics
- Trolling Motors
- Lighting
- Electrical
- Topside Acc.
- Cockpit & Deck
- Instruments
- Steering, Controls
- Perform.
- Fuel System
- Engine & Parts
- Engine Care
- Propellers
- Seating & Pedestals
- Tools & Covers
- Pumps
- Cleaning & Care
- Paint & Paint Acc.
- Hardware, Fasteners
- Trailering
- Misc.
- Comm.



- Step-by-step instructions for every job.
- Every conceivable part, assembly and system is covered in detail and illustrated by hundreds of photos, drawings and tables prepared specifically for each title.
- Also features a 32-page full color section covering lubricants, corrosion prevention, propeller design, tools, test equipment, shop safety and mechanic's tips.
- All manuals are 8-1/2" x 11" in size.



603044



603040

Clymer Motor Repair Manuals

Order No.	Mfg. No.	Description	Price
CHRYSLER			
180075	(B750)	3.5-140 HP Outboards 1966-1984	\$36.98 H
EVINRUDE/JOHNSON			
180068	(B732)	2-40 HP Outboards 1973-1990 (Includes Electrics)	\$36.98 H
180088	(B733)	2-300 HP Outboards 1991-1994 (Includes Jet Drives & Sea Drives)	\$36.98 H
180067	(B734)	1.5-125 HP Outboards 1956-1972	\$36.98 H
180083	(B7352)	2-70 HP Outboards 1995-2003 (Includes Jet Drives)	\$36.98 H
180070	(B736)	48-235 HP Outboards 1973-1990 (Includes Sea Drives)	\$36.98 H
180082	(B7372)	88-300 HP Outboards 1995-2002 (85-300 HP Outboards)	\$36.98 H
FORCE			
180076	(B7514)	4-150 HP Outboards 1984-1999 (Includes L-Drives)	\$36.98 H
HONDA			
180097	(B7572)	2-130 HP Outboards 1976-1999 (4 Stroke - Includes Jet Drives)	\$36.98 H
MARINER			
180077	(B714)	2-220 HP Outboards 1976-1989 (Includes Electric Motors)	\$36.98 H
MERCURUISER			
180062	(B740)	Stern Drives 1964-85 (Includes 1986-1987 TR and TRS Models)	\$36.98 H
180093	(B742)	Alpha One, Bravo One, Bravo Two & Bravo Three Stern Drives, 1986-1994	\$36.98 H
180095	(B744)	Alpha One, Bravo One, Bravo Two & Bravo Three Stern Drives, 1995-1997	\$36.98 H
603009	(B7452)	Mercruiser Stern Drives 1998-2004	\$36.98 H
MERCURY			
180091	(B710)	4-90 HP Outboards 1995-2000 (4 Stroke)	\$36.98 H
603081	(B712)	75-225 HP Outboards 2001-2003 (4 Stroke)	\$36.98 H
180065	(B721)	3.5-40 HP Outboards 1972-1989 (Includes Electric Motors)	\$36.98 H
180085	(B722)	3-275 HP Outboards 1990-1993	\$36.98 H
180086	(B723)	2.5-60 HP Outboards 1994-1997 (2 Stroke - Includes Jet Drives)	\$36.98 H
180087	(B724)	75-275 HP Outboards 1994-1997 (2 Stroke - Includes Jet Drives)	\$36.98 H
6030023	(B725)	2.5-60 HP Outboards 1998-2006 (2 Stroke)	\$39.98 L
180066	(B726)	45-225 HP Outboards 1972-1989	\$36.98 H
180055	(B727)	75-250 HP Outboards 1998-2009 (2 Stroke)	\$36.98 H
OMC			
180061	(B730)	Stern Drives 1964-1986	\$36.98 H
180072	(B738)	Cobra Stern Drives 1986-1993 (Includes 1988 & 1989 King Cobra Models)	\$36.98 H
SUZUKI			
180050	(B780)	2-140 HP Outboards 1977-1984	\$36.98 H
180051	(B781)	2-225 HP Outboards 1985-1991 (Includes Jet Drives)	\$36.98 H
180052	(B778)	2-65 HP Outboards 1992-1999 (2 Stroke - Includes Jet Drives)	\$36.98 H
180053	(B779)	75-225 HP Outboards 1992-1999 (2 Stroke - Includes Jet Drives)	\$36.98 H
180060	(B782)	9.9-70 HP Outboards 1997-2000 (4 Stroke)	\$36.98 H
VOLVO			
180084	(B770)	Stern Drives 1968-1993	\$36.98 H
180089	(B7712)	Penta Stern Drives 1994-2000	\$36.98 H
603012	(B775)	Penta Stern Drives 2001-2004	\$36.98 H
YAMAHA			
180071	(B783)	2-225 HP Outboards 1984-1989 (2 Stroke)	\$36.98 H
180073	(B784)	2-250 HP Outboards 1990-1995 (2 Stroke)	\$36.98 H
180074	(B785)	2-250 HP Outboards 1996-1998 (2 Stroke - Includes Jet Drives)	\$36.98 H
180092	(B786)	2-90 HP Outboards 1999-2002 (2 Stroke)	\$36.98 H
180079	(B788)	9.9-100 HP Outboards 1985-1999 (4 Stroke)	\$36.98 H
180094	(B789)	115-250 HP Outboards 1999-2002 (2 Stroke)	\$36.98 H
603077	(B791-2)	75-225 HP Outboards 2000-2004 (4 Stroke)	\$36.98 H
SEA-DOO PERSONAL WATERCRAFT			
6030076	(W820)	1996-1999	\$39.98 L
DISPLAY RACKS - FOR IN-STORE PROMOTION. PERFECT FOR COUNTERS AND PEGBOARDS.			
Order No.	Mfg. No. / Description	Price	
603040	(CM-EASEL) Easel Holds 20 Manuals	\$34.98 H	
603042	(CM-20) Spinner Holds 20 Manuals	\$34.98 H	
603044	(CM-6) Rack Holds 6 Manuals	\$34.98 H	

- Fun & Flotation
- Anchor & Dock
- Safety
- Electronics
- Trolling Motors
- Lighting
- Electrical
- Topside Acc.
- Cockpit & Deck
- Instruments
- Steering, Controls
- Perform.
- Fuel System
- Engine & Parts
- Engine Care
- Propellers
- Seating & Pedestals
- Tops & Covers
- Pumps
- Cleaning & Care
- Paint & Paint Acc.
- Hardware, Fasteners
- Trailer
- Misc.
- Comm.