

Groco Full-Flow Flanged Safety Seacocks

GROCO.

- Handle has square hole that accepts standard ratchet; helps access hard-to-reach valves, or ease actuation of hard-to-operate valves.
- Side port has a Quick-Release plug for emergency bilge pumping, and a Service Adaptor for routine winterization and maintenance.
- Full pipe-size flow.
- Serviceable while installed.
- Stainless steel ball and stem.
- Base has bonding attachment.
- PTFE seats and seals.
- Two driver ports permit handle relocation.
- Service adaptor included.



Order No.	Mfg. No. / Description	Price
S/O	(SBV-1250) Bottom Port 1-1/4" NPS Top Port 1-1/4" NPT	POR
S/O	(SBV-1500) Bottom Port 1-1/2" NPS Top Port 1-1/2" NPT	POR
S/O	(SBV-2000) Bottom Port 2" NPS Top Port 2" NPT	POR
S/O	(SBV-2500) Bottom Port 2-1/2" NPS Top Port 2-1/2" NPT	POR
S/O	(SBV-3000) Bottom Port 3" NPS Top Port 3" NPT	POR

Groco Full-Flow Flanged Ball-Type Seacocks

GROCO.

- Includes one grease zerk fitting for lubrication (use only with the valve in the open position), and one drain plug. The zerk can also be used for draining.
- Tri-flange base and mount hole pattern provide easy retrofit when replacing most popular brands.
- Patented selectable handle rotation.
- Handle has square hole to accept standard ratchet, to help reach valves in hard-to-reach locations and ease actuation of difficult to operate valves.
- Full pipe-size flow. Stainless steel ball and stem.
- PTFE seats and seals. Serviceable while installed.
- Drain plug on both sides.
- Base has bonding attachment.



Order No.	Mfg. No. / Description	Price
S/O	(BV-750) Bottom Conn. 3/4" NPS Top Conn. 3/4" NPT	POR
S/O	(BV-1000) Bottom Conn. 1" NPS Top Conn. 1" NPT	POR
S/O	(BV-1250) Bottom Conn. 1-1/4" NPS Top Conn. 1-1/4" NPT	POR
S/O	(BV-1500) Bottom Conn. 1-1/2" NPS Top Conn. 1-1/2" NPT	POR
S/O	(BV-2000) Bottom Conn. 2" NPS Top Conn. 2" NPT	POR
S/O	(BV-2500) Bottom Conn. 2-1/2" NPS Top Conn. 2-1/2" NPT	POR
S/O	(BV-3000) Bottom Conn. 3" NPS Top Conn. 3" NPT	POR
S/O	(BV-4000) Bottom Conn. 4" NPS Top Conn. 4" NPT	POR
S/O	(BV-5000) Bottom Conn. 5" NPS Top Conn. 5" NPT	POR

Groco SE Series - Large Engine Water Strainers

GROCO.



- For high powered engines with 4", 5" or 6" intake.
- Cap and basket have replaceable zinc anode protection.
- Low restriction for maximum cooling water flow.
- No inside tie rods.
- Cover unscrews for easy filter basket cleaning.
- O-rings seal all mating surfaces.
- Improved cylindrical filter basket.
- Bronze castings. Lucite sight glass. Stainless steel filter basket.

MODEL SE SERIES

- Cylinder diameter 13". Cylinder height 18.4".

Order No.	Mfg. No. / Description	Price
373934	(SE-4000) 4" NPT	\$7,160.98 I

MODEL SEF SERIES

- Cylinder diameter 16.5". Cylinder height 18.4". Mounting bolts: 3/4".

Order No.	Mfg. No. / Description	Price
373939	(SEF4000) 4" Flange	\$8,333.98 Q
S/O	(SEF-5000) 5" Flange	POR
S/O	(SEF-6000) 6" Flange	POR

ACCESSORIES

Order No.	Mfg. No. / Description	Price
373950	Repair Kit	\$45.98 F
373951	(SE-4001A) Cap	\$667.98 F
373959	(SE-4003-1) Monel Basket	\$1,352.98 I

Groco VD Series - Vertical Duplex Water Strainers

GROCO.

- When engines or other connected equipment must run continuously, filter basket cleaning is made possible by the dual strainer design.
- An integral valve located between the strainers directs the flow to one filter chamber or the other.
- The in-use filter continues to protect your equipment while the filter not in use may be serviced.
- #304 stainless steel filter baskets are standard.



Order No.	Mfg. No. / Description	Price
S/O	(VD-1250-S) 1-1/4" NPT 12" H x 13" W x 6.8" D	POR
S/O	(VD-1500-S) 1-1/2" NPT 14.5" H x 16" W x 8" D	POR
S/O	(VD-2000-S) 2" NPT 16.5" H x 16" W x 8" D	POR
S/O	(VD-2500-S) 2-1/2" NPT 17.5" H x 17.5" W x 8" D	POR

- Fun & Flotation
- Anchor & Dock
- Safety
- Electronics
- Trolling Motors
- Lighting
- Electrical
- Topside Acc.
- Cockpit & Deck
- Instruments
- Steering, Controls
- Perform.
- Fuel System
- Engine & Parts
- Engine Care
- Propellers
- Seating & Pedestals
- Tops & Covers
- Pumps
- Cleaning & Care
- Paint & Paint Acc.
- Hardware, Fasteners
- Trailering
- Misc.

Groco BS Series - Bilge Strainers

GROCO.

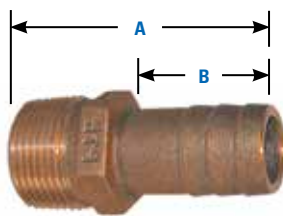


- Use for preventing large debris in the bilge area from entering bilge pumps.
- Ideal for use with Groco SBV-P Series Safety Seacock with side port.
- Threaded NPT for use with straight or 90° pipe to hose adaptors.

Order No.	Mfg. No.	Threaded NPT	Dimensions	Height	Price
S/O	(BS-750)	3/4"	1.88" x 2.13"	2"	POR
S/O	(BS-1000)	1"	1.88" x 2.13"	2"	POR
S/O	(BS-1250)	1-1/4"	3.4" x 3.63"	2"	POR
S/O	(BS-1500)	1-1/2"	3.4" x 3.63"	2"	POR
S/O	(BS-2000)	2"	5.25" x 3.63"	2"	POR
S/O	(BS-2500)	2-1/2"	5.25" x 3.63"	2"	POR
S/O	(BS-3000)	3"	5.25" x 3.63"	2"	POR

Groco PTH - Straight Standard Flow Bronze Pipe to Hose Fittings

GROCO.



Order No.	Mfg. No.	Thread NPT	Hose ID	A	B	Price
S/O	(PTH-4000)	4"	4"	4.25"	2.00"	POR
S/O	(PTH-5000)	5"	5"	4.25"	2.00"	POR

Groco Thru-Hull Connectors

GROCO.



- Cast bronze.
- Flange is machined to fit hull and grooved to retain bedding compound.
- Neck is threaded to approximately 3/8" from flange.

Order No.	Mfg. No. / Description	Price
S/O	(TH-4000-W) Pipe 4"	Flange OD 7.00" POR
S/O	(TH-5000-W) Pipe 5"	Flange OD 8.18" POR

Conbraco Bronze Water Gauge

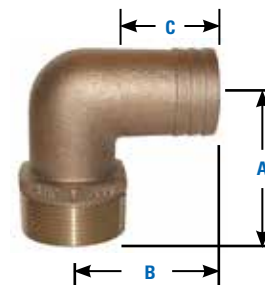


- Ball checks standard on 20-150 models.
- Equipped with two copper guard rods.
- Standard 1/4" needle drain valve in lower arm.
- Pipe size: 1/2".
- Glass: 5/8" OD x 12" length.
- Wheel type: Aluminum.
- CRN Registered OF6616.5C.

Order No.	Mfg. No. / Description	Price
312948	(20-150-03)	\$103.98

Groco PTHC - 90° Standard Flow Bronze Pipe to Hose Fittings

GROCO.



Order No.	Mfg. No.	Thread NPT	Hose ID	A	B	C	Price
S/O	(PTHC-4000)	4"	4"	5.05"	5.25"	2.85"	POR
S/O	(PTHC-5000)	5"	5"	5.50"	6.20"	3.30"	POR

- Fun & Flotation
- Anchor & Dock
- Safety
- Electronics
- Trolling Motors
- Lighting
- Electrical
- Topside Acc.
- Cockpit & Deck
- Instruments
- Steering, Controls
- Perform.
- Fuel System
- Engine & Parts
- Engine Care
- Propellers
- Seating & Pedestals
- Tops & Covers
- Pumps
- Cleaning & Care
- Paint & Paint Acc.
- Hardware, Fasteners
- Trailering
- Misc.

FCI Watermakers Aquamiser+



Order No.	Framed	Modular	GPD/LPD	GPH/LPH	HP	KW	Voltage
S/O	A216S	AM216S	250/946	10/39	1.5	1.52	120/220, 50/60 Hz
343201	A516S	AM516S	500/1892	21/79	1.5	1.52	120/220, 50/60 Hz
S/O	A616S	AM616S	600/2270	25/95	1.5	1.52	120/220, 50/60 Hz
S/O	A816S	AM816S	800/3027	33/126	1.5	1.52	120/220, 50/60 Hz
S/O	A1226S	AM1226S	1200/4541	50/189	2.5	2.29	120/220, 50/60 Hz
S/O	A1826S	AM1826S	1800/6811	75/284	2.5	2.29	120/220, 50/60 Hz

Order No.	Mfg. No. / Description	Price
343235	(50-2576) Remote Display Panel	\$875.00 A

STANDARD FEATURES

- Staged starting of motors.
- Timed start-up (Prime, Init, Run).
- TDS monitoring of product water.
- Automatic diverting of water above 500 PPM.
- Programmable Fresh Water Flush for automatic and weekly operation; or, convenient one-touch button for manual operation.
- Overpressure protection (HP fault).
- Loss of Prime/Fouled Filter detection (LP fault).

The Aquamiser Plus Series offers programmable settings and remote display capability through an advanced control marine reverse osmosis system. This value-driven solution is ideal for smaller water production needs. With outputs of 250 to 1800 GPD, the Aquamiser Plus marine watermaker will provide the safety and controls needed to operate both dependably and efficiently. These marine reverse osmosis systems are available in framed and modular configurations to be utilized in tight spaces and bulkheads. Small only in size, the Aquamiser Plus marine R/O unit features extensive controls, including a fully automatic fresh water flush system for unattended maintenance. Scheduled weekly or biweekly flushes will help keep your marine water maker fresh and ready for your next voyage.



WITH REMOTE DISPLAY

- Remote system control up to 150' away.
- Readout of product TDS.
- Automatic tank level controls.
- Programmable times/set points and display settings.

FCI Watermakers Max-Q



STANDARD FEATURES

- State-of-the-art engineering and electronics, UROC-Universal R/O Controller with computer interface and multiple remote station capability.
- RS-485 connection for display and monitoring up to 4000 ft. away.
- 316SS low-pressure pump with closed impeller design.
- Programmable Fresh Water Flush with recurring automatic flush feature.
- Digitally monitors water pressure and flow.
- Quiet, efficient operation.
- Conservatively rated to insure performance under varying conditions.
- Commercial sized pre-filtration.
- 316SS high-pressure pump and fittings.
- Pressure vessels with 316SS product and pressure ports, stress-eliminating engineering with LIFETIME WARRANTY.
- Washdown duty motors (epoxy coated, neoprene gaskets).
- User-friendly with ergonomic design for ease of use.
- 4-point vibration isolation mounts for quiet operation.
- 2-year product warranty.

Order No.	Framed	Modular	GPD/LPD	GPH/LPH	HP	KW	Voltage
S/O	MQ726S	MQM726S	700/2649	29/110	2.5	2.29	120/220/380, 1-ph, 3-ph, 50/60 Hz
343204	MQ1226S	MQM1226S	1275/4825	53/201	2.5	2.29	120/220/380, 1-ph, 3-ph, 50/60 Hz
S/O	MQ1826S	MQM1826S	1850/7000	77/292	2.5	2.29	120/220/380, 1-ph, 3-ph, 50/60 Hz

Order No.	Mfg. No. / Description	Price
343232	(50-2185) Universal Reverse Osmosis Controller (UROC)	\$875.00 A

The Max-Q Series is among the most advanced marine watermaker ever manufactured. You can customize your watermaking needs with FCI's exclusive UROC technology - the industry's first remote monitoring and control system for watermakers. Monitor and run your marine reverse osmosis system from a remote location or a personal computer. Both framed and modular configurations produce fresh, clean water with outputs of 600, 1200 or 1800 GPD. Because each component is test and chosen for its ability to withstand long-term operation, every Max-Q marine water making system is engineered and designed to operate in the harshest of marine environments. Our units are so advanced we have eliminated the need for pressure gauges and flow meters, leaving you with worry-free operation and years of dependable service.



- Fun & Flotation
- Anchor & Dock
- Safety
- Electronics
- Trolling Motors
- Lighting
- Electrical
- Topside Acc.
- Cockpit & Deck
- Instruments
- Steering, Controls
- Perform.
- Fuel System
- Engine & Parts
- Engine Care
- Propellers
- Seating & Pedestals
- Tops & Covers
- Pumps
- Cleaning & Care
- Paint & Paint Acc.
- Hardware, Fasteners
- Trailer
- Misc.

FCI Watermakers Neptune



STANDARD FEATURES

- The Neptune Series is available in 3 convenient configurations State-of-the-art engineering.
- UROC - Universal Reverse Osmosis Controller with computer interface.
- 316SS low-pressure pump with closed impeller design (producing 50% more pressure with the same horsepower).
- 316SS high-pressure pump.
- Multiple station capabilities.
- Programmable Fresh Water Flush with recurring automatic flush feature.
- Commercially designed to operate 24/7, 365 days per year.
- Pressure vessels with 316SS pressure and product ports, stress-eliminating engineering.
- 80 sq. ft. of commercial pre-filtration.
- Conservatively rated to ensure performance under varying conditions.
- Built-in cleaning ports.
- Washdown duty motors (epoxy coated, neoprene gaskets).
- 4-point vibration isolation mounts.
- One year warranty.

- Fun & Flotation
- Anchor & Dock
- Safety
- Electronics
- Trolling Motors
- Lighting
- Electrical

	Horizontal	GPD	M3	GPH/LPH	HP	KW	Voltage	
Topside Acc.	NH12263S	1275	5	53/201	3	2.98	220/380/460, 3-ph, 50/60 Hz	
Cockpit & Deck	NH18263S	1850	7	77/292	3	2.98	220/380/460, 3-ph, 50/60 Hz	
	NH25263S	2500	9	104/394	5	4.47	220/380/460, 3-ph, 50/60 Hz	
Instruments	NH31236S	3100	12	129/489	7.5	6.34	220/380/460, 3-ph, 50/60 Hz	
	NH43263S	4300	16	179/678	7.5	6.34	220/380/460, 3-ph, 50/60 Hz	
Steering, Controls	NH55263S	5500	21	229/867	7.5	6.34	220/380/460, 3-ph, 50/60 Hz	
	NH75263S	7500	28	313/1183	10	8.20	220/380/460, 3-ph, 50/60 Hz	
Perform.	NH95263S	9500	36	396/1498	10	8.20	220/380/460, 3-ph, 50/60 Hz	
	Wall-Mount	Modular	GPD	M3	GPH/LPH	HP	KW	Voltage
Fuel System	-	NM12263S	1200	5	50/189	3	3.05	220/380, 3-ph, 50/60 Hz
	-	NM18263S	1800	7	75/284	3	3.05	220/380, 3-ph, 50/60 Hz
Engine & Parts	-	NM24263S	2400	10	100/378	5	4.58	220/380, 3-ph, 50/60 Hz
Engine Care	NWM31263S	NM31263S	3100	13	129/489	7.5	6.48	220/380, 3-ph, 50/60 Hz
	NWM43263S	NM43263S	4300	17	179/678	7.5	6.48	220/380, 3-ph, 50/60 Hz
	NWM55263S	NM55263S	5500	22	229/867	7.5	6.48	220/380, 3-ph, 50/60 Hz

When your needs demand continuous-duty, commercial-grade watermaking, the solution is crystal clear. The FCI Neptune Series is efficient and extremely reliable. These water systems deliver great volumes of fresh water with capacities of 1200 to 9500 GPD. Ideal for commercial vessels, island homes, oil platforms, hotels, or large yachts, a Neptune industrial water maker will provide wherever clean, pure, fresh water is needed. Employing FCI's pioneering UROC Technology, a Neptune commercial reverse osmosis unit enables advanced, total control and user-friendly system customization. Commercial necessities also include built-in cleaning ports on the framed units, washdown duty motors, 316SS high- and low-pressure pumps and commercial-sized pre-filters. Available in three configurations: Horizontal framed, Modular and the Wall-Mount system which combines the flexibility of modular installation with framed unit convenience. In addition, the Wall-Mount features uncompromised design, such as built-in pre-filters that slide out and lock back into place for easy maintenance. When your water demands are high and space is an issue, the wall-mount and modular series are a perfect fit. The entire Neptune series offers quality, dependability and years of worry-free operation in the most diverse marine environments.

- Propellers
- Seating & Pedestals
- Tops & Covers
- Pumps
- Cleaning & Care
- Paint & Paint Acc.
- Hardware, Fasteners
- Trailing
- Misc.
- Comm.

Order No.	Mfg. No. / Description	Price
343213	(20-0019) Filter Cartridge - 5 Micron 2-1/2" x 9-3/4"	\$11.00 A
343216	(20-0020) Filter Cartridge - 20 Micron 2-1/2" x 9-3/4"	\$11.00 A
343219	(20-0025) Carbon Filter 2-1/2" x 9-3/4"	\$15.75 A
343223	(20-2261) Filter Cartridge - 5 Micron 5" x 13"	\$68.75 A
343226	(48-0199) Cat Pump Oil Pint	\$12.70 A
343229	(48-2374) Oil Pint	\$12.70 A

Fire Hoses



339819

- Single jacket, high grade, UL accepted fire hose.
- Rubber lined.
- Test pressure: 500 psi.
- Length 50'.

Order No.	Description	Price
380218	IPT 1-1/2"	\$197.98 F
380220	NST 1-1/2"	\$197.98 F
380232	NST 2-1/2"	\$366.98 F
339819	IPT to NST Brass Adapter	\$27.98 F

Hump Type Hose Rack



- This hose rack allow lined hose to be neatly and conveniently racked away from the work area.
- Size hose: 1-1/2" or 1-3/4".
- Dimensions: 29" W x 17" H x 4-3/8" D.

Order No.	Mfg. No. / Description	Price
380307	(1420-1)	\$182.98 F
249011	(1420-16) Stainless Steel	\$678.98 F

Common Spanner Wrench



- Used for tightening 1-1/2" connections on fire hose.

Order No.	Mfg. No. / Description	Price
380282	(876-15 COMM)	\$16.98 M

Universal Spanner Wrench



- Handle end has pry lever, gas cock shut-off and door stop.
- Length 10".
- Used for tightening 1-1/2" connections on fire hose.

Order No.	Mfg. No. / Description	Price
380294	(874-4)	\$23.98 F

Angle Hose Valves

- Cast brass body, with red enamel wheel handle.
- Female inlet with tapered iron pipe threads.
- Male outlet, specify hose thread desired.

380341



IPT (INTERNATIONAL PIPE THREAD) END

Order No.	Mfg. No. / Description	Price
380321	(170-1511MSPH) 1-1/2" IPT	\$126.98 F

NST (NATIONAL STANDARD THREAD) END

Order No.	Mfg. No. / Description	Price
380333	(170-1521MNST) 1-1/2" NST	\$126.98 F
380335	(170-2521MNST) 2-1/2" NST	\$238.98 F
380341	(662-1521 NST) Cap with Chain	\$19.98 F

Akron Universal Spanner Wrench



- The all-purpose wrench for 3/4" to 3" rocker lug and pin lug couplings.
- Features a belt hook eye, hammer head and a gas cock shutoff.
- Akrolite construction.

Order No.	Mfg. No. / Description	Price
587088	(10.) Length 11-1/2"	\$46.98 F

Leader Line Wye



- Leader line wyes are used to split one 2-1/2" line into two 1-1/2" lines.
- Each side has an independent ball valve.
- Brass.

Order No.	Mfg. No. / Description	Price
339822	(430) 1-1/2" NST	\$561.98 E

Akron Leader Line Wye



- Brass construction.
- Designed for heavy duty use.
- High strength polymer handles and balls standard.
- Length 7-1/2", width 5-1/4".
- Female inlet 2-1/2", (2) male outlet 1-1/2".

Order No.	Mfg. No. / Description	Price
588537	(2681NST)	\$709.98 F

Akron Brass In-Line Foam Educator



- Rated to 90 GPM at 200 PSI inlet pressure.
- Works effectively with nozzles rated from 50 to 100 PSI.
- Factory set at 6% pickup rate, easily changed to 3%.
- Includes: Foam shutoff valve and 60" pickup hose.
- Length 9-1/2". Female inlet 1-1/2", male outlet 1-1/2".

Order No.	Mfg. No. / Description	Price
588528	(2328)	\$1,213.98 F

Akron In-Line Foam Educator



- Rated to 95 GPM at 150 PSI inlet pressure.
- Works effectively with nozzles rated from 50 to 100 PSI.
- 1-1/2" swivel inlet x 1-1/2" male.
- Field adjustable 1%, 2%, 3% and 6% foam settings.
- Removable foam pickup tube with metering dial for easy service and testing.

Order No.	Mfg. No. / Description	Price
588526	(2325)	\$1,128.98 F

- Fun & Flotation
- Anchor & Dock
- Safety
- Electronics
- Trolling Motors
- Lighting
- Electrical
- Topside Acc.
- Cockpit & Deck
- Instruments
- Steering, Controls
- Perform.
- Fuel System
- Engine & Parts
- Engine Care
- Propellers
- Seating & Pedestals
- Tools & Covers
- Pumps
- Cleaning & Care
- Paint & Paint Acc.
- Hardware, Fasteners
- Trailering
- Misc.

Akron Foam Aeration Nozzle with Pickup Tube



- Combination Akrolite and lightweight Pyrolite construction.
- Preset at 6% easily changed to 1/2%, 1% or 3%.
- Expansion rate up to 14:1.
- Pressure rated at 100 PSI.
- Inlet 1-1/2".
- Length 38".
- Flow at 100 PSI: 95 GPM.
- Weight 6 lbs.

Order No.	Mfg. No. / Description	Price
588523	(3951 1-1/2)	\$1,467.98 F

Brass Plain Fire Hose Nozzles



- Plain cast brass nozzle.
- For use on fire hose racks and reels and for other industrial applications where shut off valves are not required at the nozzle.
- Dimensions: 1-1/2" x 10" x 1/2".
- Couplings 1-1/2".

Order No.	Description	Price
380244	IPT	\$72.98 M
380256	NST	\$72.98 M

Akron Coast Guard Shipboard Vari-Nozzles



- Brass construction.
- Low friction ball and dual seats for smooth operation.
- Molded teeth.
- Rubber-like bumper and handle.
- Constant gallonage in fog and straight stream patterns.
- Flush without shutting down.
- A combination fog and straight stream nozzle designed for more efficiency with AFFF or water on-board ships.
- Flow at 100 PSI: 95 GPM.
- Length 8-5/8", width 4-1/4".
- Inlet 1-1/2".

PISTOL GRIP - USCG #162.027/15/0		
Order No.	Mfg. No. / Description	Price
588515	(3020NST) NST	\$1,017.98 Q

WITHOUT PISTOL GRIP - USCG #162.027/16/0		
Order No.	Mfg. No. / Description	Price
588518	(3022NST) NST	\$951.98 Q

Akron Omega 3" Single Waterway Monitor



- Brass construction.
- Full 3" waterway.
- Cast-in turning vanes for more efficient flow.
- 360° horizontal and 150° vertical travel.
- Elevation 90° above to 60° below horizontal.
- Height 17"., width 11-1/2".
- Inlet 3" fl. Outlet 2-1/2". Flow: 1,250 GPM.
- Weight 72 lbs.

Order No.	Mfg. No. / Description	Price
588539	(3526NST)	\$2,581.98 F
588542	(489) Plain Deluge Tip	\$453.98 F

Polycarbonate Fire Hose Nozzles



- High impact polycarbonate nozzles.
- Ideal for locations where brass theft is a concern.
- Adjustable fog/shut-off only.
- 78 GPM.
- 1-1/2".

Order No.	Mfg. No. / Description	Price
264111	(E15IPT) IPT	\$38.98 F
264113	(E15NST) NST	\$38.98 F

Brass Heavy Duty Industrial Fog Nozzles



- Heavy duty, low cost, brass fog nozzle, especially recommended for those locations where frequent service demands quality.
- Water flow can be quickly changed from, straight-to fog-to-shut-off with a flick of the wrist.
- Large rubber bumper protects the outer perimeter of nozzle tip and also provides a firm gripping surface.
- Specially designed to give uniform flow in all positions.
- 1-1/2".

Order No.	Mfg. No. / Description	Price
380246	(520-1511) IPT	\$105.98 E
380248	(520-1521) NST	\$105.98 E

Akron Coast Guard Nozzles with Fog Tip



- Brass construction.
- Combination fog and straight stream nozzles for shipboard fire fighting.
- Required equipment for all commercial vessels under US registry.

MODEL 2032

- Fog flow at 100 PSI: 55 GPM.
- Length 9-3/4", width 4-3/4", height 4-3/4".
- Inlet 1-1/2".
- USCG Approval #162.027/09/0.

Order No.	Mfg. No. / Description	Price
587090	(2032 USCG) IPT	\$1,008.98 Q
587103	(2032) NST	\$1,008.98 Q
588559	(2033) Fog Tip w/Chain	\$192.98 F
588561	(706254) 6" Chain	\$7.98 F

MODEL 2046

- Fog flow at 100 PSI: 106 GPM.
- Length 11-1/2", width 5-3/4", height 5-1/2".
- Inlet 2-1/2".
- USCG Approval #162.027/10/0.

Order No.	Mfg. No. / Description	Price
587108	(2046 USCG) NST	\$1,212.98 Q

Akron Coast Guard Applicator with Fog Head



- Applicators with stainless steel tubing to Coast Guard specifications.
- Improved head and end connectors for increased strength and durability.
- Includes: Style 1034 fog head.
- Flow at 100 PSI: 54.
- Length 48", width 1-1/4", height 7".
- Inlet 1-1/2".
- 60° bend.
- USCG Approval #162.027/09/0.

Order No.	Mfg. No. / Description	Price
588535	(2415 USCG)	\$425.98 F

- Fun & Flotation
- Anchor & Dock
- Safety
- Electronics
- Trolling Motors
- Lighting
- Electrical
- Topside Acc.
- Cockpit & Deck
- Instruments
- Steering, Controls
- Perform.
- Fuel System
- Engine & Parts
- Engine Care
- Propellers
- Seating & Pedestals
- Tops & Covers
- Pumps
- Cleaning & Care
- Paint & Paint Acc.
- Hardware, Fasteners
- Trailer
- Misc.
- Comm.

Fire Axes



- Curved handle painted red.
- Handle length 36".

Order No.	Mfg. No. / Description	Price
465636	(08306) 4.5 lbs.	\$134.98 F
303141	(08312) 6 lbs.	\$99.98 F

Akron Horizontal Tool Bracket



- Heavy duty tool bracket with covered jaws for securing various tools.
- Designed for 1-1/2" and 2-1/2" applicators and other tools, such as axe handles with a 1-1/8" to 1-3/4" OD.
- Length 4-1/8".

Order No.	Mfg. No. / Description	Price
588547	(40 HORZ)	\$78.98 F

Datrex Hatchet with Lanyard



- USCG Approved hatchet with lanyard for use in lifeboats.

Order No.	Mfg. No. / Description	Price
320789	(BB0072M)	\$25.98 F

Lakeland Adjustable Suspenders



- Fully adjustable.
- Red.

Order No.	Mfg. No. / Description	Price
264119	(135R)	\$47.98 F

Perko Fig. 325 Fire Axe Bracket



- Stainless steel.
- For 6" blade width.
- Socket screw size: 10 R.H.
- Bracket screw size: 6.

Order No.	Mfg. No. / Description	Price
537386	(0325 000 STS)	\$26.98 Q

Firefighting Hood



- Nomex/Lenzing firefighting hood with comfort.
- Plus liner.

Order No.	Mfg. No. / Description	Price
264117	(1027492)	\$58.98 F

Lifeline - 100' Stainless Steel with Bronze Snaps

Order No.	Mfg. No. / Description	Price
248536	100' Lifeline	\$105.98 F

Thorogood Fire Boots



- Upper: Flame/heat-resisting rubber.
- Construction: Vulcanized rubber/shoe fit engineered.
- Lining: 3.5mm polyester needled felt with heel reinforcement.
- Shank: Steel triple ladder shank.
- Insole: Removable superknit covered polyurethane.
- Midsole: Stainless steel puncture resisting bottom plate.
- Outsole: Flame/heat resisting white "traction lug".
- Special features: Meets both NFPA requirements. UL Certified. Blood borne pathogen compliant. ASTM F 2413-05 M/I/75/C/75 oversized steel toe. Electrical hazard. Double reinforced pull loops. Cushioned shin guard. Light-reflecting instep and heel patches.

Order No.	Mfg. No. / Description	Price
235151	(8076003-9) Size: 9M	\$385.98 F
232152	(8076003-10) Size: 10M	\$385.98 F
232155	(8076003-11) Size: 11M	\$385.98 F
232153	(8076003-12) Size: 12M	\$385.98 F
232154	(8076003-13) Size: 13M	\$385.98 F

MSA Cairns® Invader 664 Composite Fire Helmet



Please Note: Images shows a Red Fire Helmet.



- The headband adjusts from 6-3/8" to 8-3/8" to properly fit a wide variety of head sizes.
- Front headband adjusts for proper SCBA mask fit.
- Impact cap provides superior impact and thermal protection.
- Rugged, high-temperature edge trim will not melt or drip.
- Non-corroding, through-color fiberglass composite shell resists cracking and chipping.
- Soft yellow Nomex chinstrap features one-hand quick-release buckle and postman slide for quick removal and adjustment.
- Yellow Nomex earlap for increased neck/ear coverage and protection.
- 3-position rear ratchet height adjust for a secure and comfortable fit.
- 4" standard faceshield.
- Headband liner: Economy flannel.
- Trim type: Scotchlite. Trim color: Lime/Yellow. Trim shape: Tetrabar.
- Hat sizes: 6-3/8" to 8-3/8".

Order No.	Mfg. No. / Description	Price
284529	(CMODA5711131) Yellow	\$328.98 F

Glove Crafters Fire Pro II Fire Fighting Gloves

- Flame and heat resistant 3.5 to 4.0 oz. eversoft cowhide leather with a 60+ TPP rating for overall heat protection.
- Double layer of 6 oz. FR modacrylic liner on back of hand for added heat protection.
- Full sock liner made of 6 oz. no drip no melt stitch-bonded FR modacrylic.
- 3 mil breathable Pyrotect Barricade barrier is 100% water proof, protects from viral/chemical penetration and blood borne pathogens.
- 4" Nomex wristlet with leather pull patch.
- Gauntlet style has a 2 inch all leather cuff sewn at top of glove.
- This glove is made from all USA manufactured fabrics/leather and produced in the USA with a highly skilled work force.
- This glove meets the NFPA 1971-2013 standard and is SEI certified.

Order No.	Mfg. No. / Description	Price
542098	(FPIIKW1005L) Large	\$124.98 F
542099	(FPIIKW1005XL) X Large	\$124.98 F



- Fun & Flotation
- Anchor & Dock
- Safety
- Electronics
- Trolling Motors
- Lighting
- Electrical
- Topside Acc.
- Cockpit & Deck
- Instruments
- Steering, Controls
- Perform.
- Fuel System
- Engine & Parts
- Engine Care
- Propellers
- Seating & Pedestals
- Tops & Covers
- Pumps
- Cleaning & Care
- Paint & Paint Acc.
- Hardware, Fasteners
- Trailering
- Misc.

Lakeland Fire Turnout Gear - OSX Attack



- OSX Attack Coat features:
 - 7.5 oz. Nomex outer shell.
 - Aralite/Stedair 3000 liner system.
 - NYC Style 3M Lime Yellow Triple Trim.
 - Radio pocket.
 - Mic strap.
 - Flashlight snap with strap.
 - Expansion/handwarmer pockets on jackets.
 - Arashield reinforcements.
 - Exclusive "Easy Grip" DRD (Drag Rescue Device).
- OSX Attach Turnout Pants features:
 - NYC Style 3M Lime Yellow Triple Trim.
 - Waist high pants.
 - Arashield reinforcements.

Order No.	Mfg. No. / Description	Price
261789	(OSXA10SUITL) Large Fits Chest Size: 42" - 44"	\$1,824.98 F
261790	(OSXA10SUITXL) X Large Fits Chest Size: 46" - 48"	\$1,824.98 F
261791	(OSXA10SUITXX) XX Large Fits Chest Size: 50" - 52"	\$1,824.98 F

Pelican Big Ed™ 3700 Flashlight



- The unbreakable ABS body resists chemicals, water and corrosion.
- Rubber side grips prevent slipping and the push button switch on the side is easy to operate.
- For hands-free use, a heavy duty stainless steel clip is built in.
- Uses a hi-intensity Xenon lamp that produces a beam strong enough to cut through thick smoke and dust.
- A back-up emergency lamp is housed behind the reflector.
- Battery replacement is easy with its quick change battery ejection system.
- Uses (4) C Cell Batteries (Not included).
- Length 7".

Order No.	Mfg. No. / Description	Price
511275	(3700)	\$179.98 Q

MSA AirHawk® II Air Masks



AirFrame Carrier and Harness Assembly

Facepiece



773259

- Lightweight, durable and economical, this SCBA keeps contaminants at bay.
- Built from six major components: Facepiece, carrier and harness assembly, cylinder, first-stage regulator, mask-mounted regulator and End-of-Service-Time Indicator (EOSTI).
- Advantage 4000 Facepiece features: Adapters to convert Advantage Facepiece to Twin-Cartridge Respirator or RD40 Facepiece, one-way check valve prevents exhaled air from entering mask-mounted regulator, molded polycarbonate lens and four-point silicone head harness for exceptional comfort and security.
- AirFrame carrier and harness assembly for comfortable, stable wear.
- Detachable components for easy maintenance.
- Easy-release friction buckles.
- Cylinder: Aluminum - 30 minutes.

AIRHAWK II AIR MASKS

Order No.	Mfg. No. / Description	Price
773235	(10095805) Polyester Net Head Harness No Case	\$2,001.98 D
773238	(10095804) Rubber Head Harness Hard Case	\$2,148.98 D

ACCESSORIES

Order No.	Mfg. No. / Description	Price
773247	(492435) Carrying Case	\$323.98 D
773259	(809872-SP) Spare Aluminum Cylinder and Valve Assy.	\$778.98 D

WALKAWAY MOUNTING BRACKET

- This storage unit can be mounted with screws on rescue or fire vehicles or any permanent surface.
- The spring clips permit the wearer to strap on the apparatus unassisted.
- By stepping forward, the wearer snaps out of the bracket.

Order No.	Mfg. No. / Description	Price
773239	(39851)	\$283.98 D

Complete Line of SCBA's Available Call for Pricing

- Fun & Flotation
- Anchor & Dock
- Safety
- Electronics
- Trolling Motors
- Lighting
- Electrical
- Topside Acc.
- Cockpit & Deck
- Instruments
- Steering, Controls
- Perform.
- Fuel System
- Engine & Parts
- Engine Care
- Propellers
- Seating & Pedestals
- Tops & Covers
- Pumps
- Cleaning & Care
- Paint & Paint Acc.
- Hardware, Fasteners
- Trailer
- Misc.

Please Note: Some products on this page can not be shipped via UPS



Commercial

Bridger™ Model 85 Line Throwing Gun



- It is a custom made line launcher 45/70 caliber gun capable of throwing a line from 300' to 750' or more.
- Kit includes: (1) Bridger Shoulder Line Gun, (1) red wooden box with solid brass hardware, (10) solid brass line projectiles, (4) 700' 140 lb. test nylon shot lines, (1) Aero metal line canister, (3) rewinding spindles, (25) blank cartridges - heavy load, (1) can gun oil, (1) cleaning solvent, (1) cleaning rod, (1) cleaning brush, (1) package patches and (1) set plastic instructions and gun lock.
- USCG Approval #160.031/6/3.
- Dimensions: 34" L x 12" W x 8" H.

Order No.	Mfg. No. / Description	Price
502674	(CG85) Line Throwing Gun	\$2,698.98 B
502686	(HL25) 45/70 Blank Cartridges, 25 Per Box	\$105.98 C
502690	(BP01) Brass Projectiles	\$23.98 C
502695	(45170P) Cleaning Patches, 40 Per Pack	\$4.74 C
502698	(SL700T) 700' 140 lb. Test Nylon Shot Line, Tan	\$79.98 B

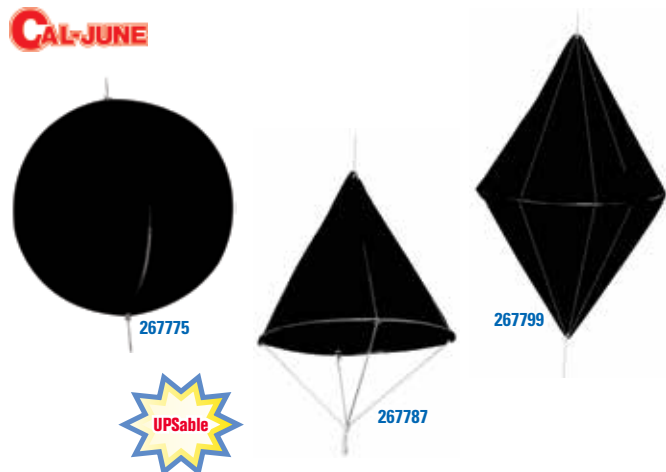
Rescue Quoit with Heaving Line



- 100' 5/16" of twisted polypropylene heaving line.
- Floats.

Order No.	Mfg. No. / Description	Price
436472	(DX1512M/1421)	\$60.98 C

Jim-Buoy Day Mark Signals - Black



- All units manufactured from heavy duty vinyl coated nylon fabric with stainless steel or galvanized framing.
- Fully collapsible when stored.
- Simplicity of design offers rapid and rigid display when required.

Order No.	Mfg. No. / Description	Price
267775	(1900) Ball Shape Diameter 24"	\$121.98 F
267787	(1901) Cone Shape Diameter 24" x 24"	\$71.98 H
267799	(1902) Diamond Shape Diameter 24" x 48"	\$109.98 R

Datrex IKAROS Line Thrower Complete



- A self contained portable line-throwing appliance incorporating integral rocket and lighter.
- The unit projects a line 300 meters in calm weather.
- Line length: 300 metres. Line diameter: 4 mm. Line strength: >2,300 N.
- For use as pilot lines for cables and ropes in rescue operations at sea.
- Can be use between vessels, from ship to shore or for rescuing people.
- BV-SOLAS certified. USCG Approved to SOLAS.
- Global Approvals: USCG, CA-DOT, BV/MED/SOLAS.

Order No.	Mfg. No. / Description	Price
436105	(CI 3461P) 4 Pack	\$704.98 F
436107	(CI3461SNG) Single	\$801.98 F
436116	(CI 3462P) Replacement Rocket with Integral Igniter	\$346.98 F
436128	(CI 3463P) Buoyant Head (2 Per Ship Set Required)	\$120.98 F

Datrex Sea Dye Marker - Yellow/Green



- Dye weight: 3.5 oz.
- Minimum solubility: 85%.
- Dimensions of pack: 5" x 6-1/8".
- Sea dye marker meeting the MIL standard 17980D.

Order No.	Mfg. No. / Description	Price
436318	(DX1517M) Yellow/Green	\$30.98 I

Datrex IKAROS Red Parachute Rockets



- For long range distress signaling on ships, lifeboats and life rafts.
- 350 meters flare ejection altitude, 30,000 candela, 40 seconds burning time.
- Meets SOLAS requirements. USCG Approvals #160.036/12/0 & #160.136/2/0.
- Comes packed in watertight flare box.

Order No.	Description	Price
320800	Complete Kit with 12 Flares	\$989.98 I
320802	Complete Kit with 6 Flares	\$421.98 I

Pains Wessex Para Red Rocket



- For day and night use.
- Long range parachute distress signal.
- Visible up to 30 miles.
- Burns for 40 seconds at 30,000 candela at a height of 984 ft.
- Approved to latest USCG and SOLAS specifications.

Order No.	Mfg. No. / Description	Price
497025	(50672)	\$75.98 I

- Fun & Flotation
- Anchor & Dock
- Safety
- Electronics
- Trolling Motors
- Lighting
- Electrical
- Topside Acc.
- Cockpit & Deck
- Instruments
- Steering, Controls
- Perform.
- Fuel System
- Engine & Parts
- Engine Care
- Propellers
- Seating & Pedestals
- Tops & Covers
- Pumps
- Cleaning & Care
- Paint & Paint Acc.
- Hardware, Fasteners
- Trailer
- Misc.

Comm.

Please Note: Some products on this page can not be shipped via UPS



Datrex IKAROS Hand-Held Red Flares



- For short range distress signalling on ships, lifeboats and life rafts.
- Light intensity: 15,000 candela. Burn time: 60 seconds.
- USCG Approved.
- Meets SOLAS requirements.

Order No.	Mfg. No. / Description	Price
436370	(CI3415P) Sold 6 Per Case	\$25.98
436371	(NH341501SNG) Sold Each	\$55.98

Pains Wessex Red Hand Flare



- Encased in a steel tube for safety.
- Burns for 60 seconds at a minimum of 15,000 candela.
- Designed to withstand the toughest of marine environments, hand-held flares are long range distress signals.
- Fitted with an integral pull, twist and strike firing mechanism.

Order No.	Mfg. No. / Description	Price
497013	(52900)	\$23.98

Orion Commercial Vessel Signal Kit



- Contains: (3) Parachute flares, (6) Red handheld flares, (3) Floating orange smoke signal, (1) Heavy duty, waterproof, dry box - high visibility orange polypropylene is corrosion resistant and floats.
- Meets USCG Regulations for Ocean Vessels traveling in the ocean more than 50 miles from coastline.

Order No.	Mfg. No. / Description	Price
519148	(821)	\$512.98 E

Orion Alert/Locate Commercial Distress Signal Kit



- Contains: (3) Parachute flares, (6) Red handheld flares, (3) Orange smoke signals and (1) Heavy duty, waterproof, dry box - high visibility orange polypropylene is corrosion resistant.
- Meets USCG Regulations for Ocean Vessels traveling 3 - 50 miles from coastline or Great Lakes Vessels traveling more than 3 miles from coastline.

Order No.	Mfg. No. / Description	Price
519136	(820)	\$334.98 F

Jim-Buoy Life Ring Buoys



- Nylon vinyl skin. Urethane foam core. USCG Approved.

WHITE LIFE RING BUOYS WITH BECKETS

Order No.	Mfg. No. / Description	Price
266002	(JB-19) Diameter 19"	\$83.98 H
266038	(JB-W-20) Diameter 20"	\$92.98 H
266052	(JB-W-24) Diameter 24"	\$102.98 H
266076	(JB-W-30) Diameter 30"	\$118.98 H

ORANGE LIFE RING BUOYS WITHOUT BECKETS

Order No.	Mfg. No. / Description	Price
266090	(JBO-X-20) Diameter 20"	\$94.98 H
266153	(JBO-X-24) Diameter 24"	\$98.98 H
266165	(JBO-X-30) Diameter 30"	\$116.98 H

ORANGE LIFE RING BUOYS WITH RETRO-REFLECTIVE TAPE

Order No.	Mfg. No. / Description	Price
266191	(JBO-X-24T) Diameter 24"	\$115.98 H
266216	(JBO-X-30T) Diameter 30"	\$132.98 H
266305	(JBSO-30) Diameter 30", SOLAS Approved	\$109.98 H

Datrex Life Ring Buoys



- Molded from high impact linear low-density polyethylene.
- The becket/grab lines are replaceable.

LIFERING

- 24" orange buoy with retro-reflective tape for installation on commercial fishing vessels, yachts and other boats that are not required to carry the 30" buoys.
- USCG and Canadian Coast Guard Approved.

Order No.	Mfg. No. / Description	Price
436423	(DX0240RD)	\$109.98

DECKBUOY

- 30" orange buoy with retro-reflective tape.
- Used onboard commercial vessels, offshore installations and larger yachts.
- USCG, Canadian Coast Guard and BV/MED Approved.

Order No.	Mfg. No. / Description	Price
436426	(DX0325D)	\$129.98

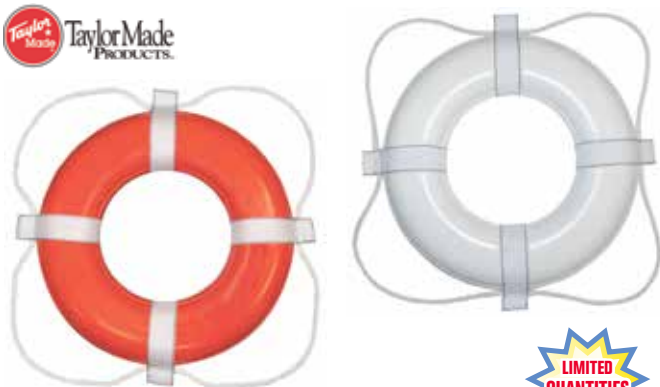
BRIDGEBUOY

- 30" orange buoy with retro-reflective tape.
- For use with MOB-signals and a quick release ring buoy bracket.
- USCG, Canadian Coast Guard and BV/MED Approved.

Order No.	Mfg. No. / Description	Price
436430	(DX0340D)	\$129.98

- Fun & Flotation
- Anchor & Dock
- Safety
- Electronics
- Trolling Motors
- Lighting
- Electrical
- Topside Acc.
- Cockpit & Deck
- Instruments
- Steering, Controls
- Perform.
- Fuel System
- Engine & Parts
- Engine Care
- Propellers
- Seating & Pedestals
- Tops & Covers
- Pumps
- Cleaning & Care
- Paint & Paint Acc.
- Hardware, Fasteners
- Trailering
- Misc.
- Comm.

Taylor Made Vinyl Coated Foam Life Rings



LIMITED QUANTITIES

- All rings contain unicellular polyurethane foam for buoyancy.
- Floating polypropylene grab lines contain UV stabilizers to ensure sunlight resistance.
- Sewn-in beackets to secure grab line.
- Inspected and tested in accordance with U.S. Coast Guard regulations.

WHITE WITH WHITE ROPE

Order No.	Mfg. No. / Description	Price
828285	(361) Diameter 24", Minimum Buoyancy: 16.5 lbs.	\$94.98 LQ

ORANGE WITH WHITE ROPE

Order No.	Mfg. No. / Description	Price
828290	(363) Diameter 20", Minimum Buoyancy: 16.5 lbs.	\$74.98 LQ

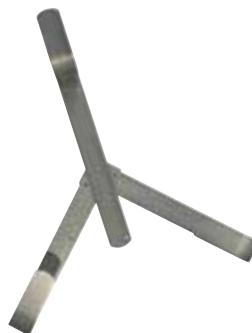
Jim-Buoy Hard Shell Ring Buoy



- Orange, rock-hard, cross linked polyethylene outer shell.
- Molded-in rope holes for easy rope replacement.
- Black 3/8" polypropylene rope UV resistant.
- SOLAS and USCG Approvals #160.050/155/0 and #160.150/11/0.
- Diameter 30".

Order No.	Mfg. No. / Description	Price
266242	(HSO-30)	\$106.98 H

Marpac Life Ring Brackets



- Heavy duty, commercial grade.
- Fits ring buoys 30" in diameter.
- Designed for commercial duty with heavy duty welds.
- Pre-drilled holes for simplified mounting.

Order No.	Description	Price
5-0010	Aluminum	\$88.98 G
5-0015	Stainless Steel	\$129.98 G

Billy Pugh Life Ring Buoy



- Molded of high impact polyethylene.
- The color will not dent or peel.
- Rigged with black polypropylene rope terminated with hand splice.
- USCG Approved throwable device for all vessels.
- USCG Approval #160.050/120/1.
- Polyurethane foam buoyant material provides a minimum buoyant force of 32 lbs.
- SOLAS Approved with tape.

Order No.	Mfg. No. / Description	Price
484460	(A-301SOLAS) Diameter 30"	\$91.98 D

Billy Pugh Rescue Ring



- Flexible flotation device that closes around victim when pulled.
- Diameter 30".

Order No.	Mfg. No. / Description	Price
484464	(RR-30)	\$693.00 B

Marpac Ring Buoy Bracket



- Stainless steel.
- Predrilled.
- Width 3/4".

Order No.	Description	Price
7-0097	Ring Buoy Bracket	\$12.98 R

Jim-Buoy Life Ring Racks - Commercial Quality



- Features heavy duty, welded stainless steel construction throughout for a lifetime of maintenance-free use.
- Pre-drilled holes for stanchion and life line mounting, as well as cabin wall installations.

Order No.	Mfg. No. / Description	Price
266418	(1123-24) Diameter 24"	\$100.98 F
266420	(1123-30) Diameter 30"	\$131.98 F

STAINLESS STEEL U-BOLTS AND NUTS

- Stainless steel U-bolts and nuts for stanchion and life line mounting.

Order No.	Mfg. No. / Description	Price
266456	(1123-X) Sold 4 Per Card	\$11.98 G

- Fun & Flotation
- Anchor & Dock
- Safety
- Electronics
- Trolling Motors
- Lighting
- Electrical
- Topside Acc.
- Cockpit & Deck
- Instruments
- Steering, Controls
- Perform.
- Fuel System
- Engine & Parts
- Engine Care
- Propellers
- Seating & Pedestals
- Tops & Covers
- Pumps
- Cleaning & Care
- Paint & Paint Acc.
- Hardware, Fasteners
- Trailer
- Misc.

Billy Pugh Ring Buoy Release Mechanism (Cages Only)



- Galvanized metal.
- Meets USCG requirements 46 CFR 94-43-10(c) 33.40-5, 75.43-10, 108.515.
- Dimensions: 36" x 31" x 10-1/2".
- Sold 2 cages per set.

Order No.	Mfg. No. / Description	Price
484547	(RBRM-1)	\$2,333.00 B

Billy Pugh Containerized Fast Throw Lines



- Keeps rope from tangling on deployment.
- Maintains the strength of the rope as the rope is protected from UV degradation inside the PVC container.
- Once deployed, the rope cannot be returned to the tube for resale.
- Length 100'

Order No.	Mfg. No. / Description	Price
484555	(CFTL-1 FAST) 1/4" Poly Pro	\$132.00 B
484559	(CFTL-3) 3/8" Poly Pro	\$207.00 B

Flexdel Life Ring Touch Up Paint



- Why replace your faded out Life Ring?
- Original OEM supplier with EXACT matching colors.
- Available in Coast Guard Approved Orange and White.

Order No.	Mfg. No. / Description	Price
761806	(49016) Orange Pint	\$16.98 D
761808	(49015) White Pint	\$16.98 D

Stearns Ring Buoy Rope with Bag



- Throw line attaches to ring buoy for easy storage and quick deployment.
- Storage bag features cinch and grab straps.
- Made from weather-resistant, tough Cordura fabric.
- Contains 90' of highly visible 3/8" polypropylene floating rope.

Order No.	Mfg. No. / Description	Price
630504	(1023ORG00000)	\$57.98 F

Billy Pugh Windsock



- International orange nylon.
- High quality rip stop nylon wind socks.
- Galvanized brackets and extended brackets resist corrosion and wear.
- Standard 18" opening.
- Length 60".

Order No.	Mfg. No. / Description	Price
484523	(WS-18)	\$117.00 B
484535	(WS-18B) Bracket	\$108.00 B

Jim-Buoy Horseshoe Buoy



- Standard model.
- A tough, yellow vinyl coated nylon cover with heavy duty zipper over closed-cell plastic core.
- Will not rot or mildew.
- Stainless steel hardware throughout.
- Bracket not included.
- USCG Approval #160.064/076/0.

Order No.	Mfg. No. / Description	Price
266444	(920)	\$117.98 E

Handi-Man Stainless Steel Horseshoe Life Preserver Holder



Does not contain Horseshoe Life Preserver

- Attaches to boat's rail.
- Constructed of stainless steel for long life in the marine environment.
- Dimensions: 14" H x 6-1/2" W x 14" L.

Order No.	Mfg. No. / Description	Price
731505	(960009)	\$85.98 H

- Fun & Flotation
- Anchor & Dock
- Safety
- Electronics
- Trolling Motors
- Lighting
- Electrical
- Topside Acc.
- Cockpit & Deck
- Instruments
- Steering, Controls
- Perform.
- Fuel System
- Engine & Parts
- Engine Care
- Propellers
- Seating & Pedestals
- Tops & Covers
- Pumps
- Cleaning & Care
- Paint & Paint Acc.
- Hardware, Fasteners
- Trailer
- Misc.
- Comm.

Survitec Group Life Raft First Aid Kit



- Comes in a transparent zip pouch.
- Case dimensions: 7" x 9" x 3".
- Includes: Adhesive bandages, gauze compress, 4" gauze bandages, 4" bandage compress, ammonia inhalants, eye dressing packs, wire splint, aspirin tablets, 2" bandage compresses, triangular bandage, eye washes and tourniquet.
- USCG Approved.



Order No. Mfg. No. / Description Price
436421 (50-180) **\$68.98 G**

Datrex Emergency Drinking Water - Overwrap



- Purified water for immediate use.
- Easy to dispense from a pre-measured sachet.
- Lightweight and extremely compact.
- 1.5 liter overwrap package.
- 12 liters per case.
- 5 year shelf life.
- USCG Approval #160.026/55/0.
- Meets SOLAS 74/83.



Order No. Mfg. No. / Description Price
436412 (DX100EW 12) **\$6.98 C**

Datrex Food Ration



- High energy value and ready to eat.
- Non thirst provoking.
- All natural ingredients.
- No preservatives. Superior coconut flavor.
- Case dimensions: 13-1/4" x 8" x 9-1/2".
- 2,400 kcal/10,000 kj ration per package. 5 year shelf life.
- USCG Approval #160.046/21/0. Meets SOLAS 74/83.



Order No. Mfg. No. / Description Price
436419 (DX2400F) **\$7.98 C**

Datrex H2OR Hydrostatic Release Unit for Life Rafts



- Two year disposable.
- Easy installation.
- Activates on a depth < 4 m.
- 6.3 oz. (180 g) weight.
- BV-SOLAS certified.
- Meets SOLAS 74/83.
- USCG Approvals #160.062/5/0 & #160.162/3/2.



Order No. Mfg. No. / Description Price
436471 (H2006365009) **\$148.98 C**

Datrex Jackknife with Lanyard and Can Opener



- Includes lanyard.
- Weight: 132 grams.
- Approved for use in lifeboats and life rafts.
- USCG Approval #160.043/6/0.



Order No. Mfg. No. / Description Price
320790 (DX1510M) **\$31.98 F**

Datrex Signal Mirror with Lanyard



- For use in lifeboats and life rafts.
- Weight: 225 grams.
- USCG Approval #160.020/14/0.



Order No. Mfg. No. / Description Price
436445 (DX1502M) **\$20.98 C**

eGear Whistle and Signal Mirror Combination



- Package includes: The pealess, all-weather JetScream whistle and the corrosion-tested 2x3 StarFlash Signal Mirror, conveniently attached with lanyard.

Order No. Mfg. No. / Description Price
586386 (2061130006M) **\$20.98 LQ**

eGear StarFlash® Floating Signal Mirror



- Made of 100% lexan polycarbonate.
- Lanyard hole for attachment.
- Mirrored surface: Vacuum desposition metalization.
- Targeting star: Retroreflective fabric.
- Dimensions: 3" H x 2" W x 1/4" D.

Order No. Mfg. No. / Description Price
586382 (20-1WG0611-M) **\$13.98 LQ**

Survitec Group Anti-Seasick Tablets



- Packaged in individual cellophane strip packs.
- 12 pills per strip pack and heat-sealed with instructions in plastic bag.



Order No. Mfg. No. / Description Price
436394 (50-364) **\$3.40 C**

Datrex Fishing Kit

- For use in lifeboats and life rafts.
- Weight: 287 grams.
- USCG Approval #160.061/8/1.



Order No. Mfg. No. / Description Price
436433 (DX1514M) **\$55.98 C**

Fun & Flotation

Anchor & Dock

Safety

Electronics

Trolling Motors

Lighting

Electrical

Topside Acc.

Cockpit & Deck

Instruments

Steering, Controls

Perform.

Fuel System

Engine & Parts

Engine Care

Propellers

Seating & Pedestals

Tops & Covers

Pumps

Cleaning & Care

Paint & Paint Acc.

Hardware, Fasteners

Trailerling

Misc.

Comm.

- Fun & Flotation
- Anchor & Dock
- Safety
- Electronics
- Trolling Motors
- Lighting
- Electrical
- Topside Acc.
- Cockpit & Deck
- Instruments
- Steering, Controls
- Perform.
- Fuel System
- Engine & Parts
- Engine Care
- Propellers
- Seating & Pedestals
- Tops & Covers
- Pumps
- Cleaning & Care
- Paint & Paint Acc.
- Hardware, Fasteners
- Trailing
- Misc.
- Comm.

Datrex Bailer with Lanyard



- For use in lifeboats and life rafts.
- Weight: 224 grams.

Order No.	Mfg. No. / Description	Price
851015	(BN0088M)	\$17.98 C

eGear Emergency Blanket



- Compact, lightweight and waterproof.
- Can be used for heat deflection, wind and rain barrier, or a rescue signal.
- Opens up to 55" x 87".
- Easily spotted from a distance.

Order No.	Mfg. No. / Description	Price
586414	(26-310-011) Pegable Bag	\$1.98 LQ

Cord 1.5m Ext Ship-Batty

Order No.	Mfg. No. / Description	Price
514314	(20053)	\$141.98 F

"Davit Launched Instructions" Label - Vinyl

Order No.	Mfg. No. / Description	Price
851279	(DRZ6221)	\$32.98 B

Stearns Driflex Nylon Rainsuits



- Constructed of heavy duty .30mm PVC/polyester.
- High-wear areas of elbows and knees are reinforced to ensure durability.
- Jacket features snap front, corduroy lined collar, vented back and underarm air vents.
- Dual-entry pockets.
- Pants have elastic waist, snap fly and snap adjustable leg openings.

Order No.	Mfg. No. / Description	Price
630663	(2000004076) Medium Yellow	\$49.98 LQ
630699	(2000004079) XX Large Yellow	\$49.98 LQ
630703	(8155-3XL) XXX Large Yellow	\$61.98 LQ

Junkin First Aid Blanket



- This warm utility blanket is machine washable.
- Excellent for indoor and outdoor general utility purposes.
- Made of 70% wool - 30% man-made fibers.
- Dimensions: 62" W x 82" L.

Order No.	Mfg. No. / Description	Price
429224	(JSA-502)	\$43.98 C

Junkin Fire Blanket with Vinyl Coated Nylon Bag



- 80% wool and 20% man-made fiber-treated with fire-resistant chemical.
- Machine washable.
- Conforms to Federal Flammable Fabrics Act CS-191-53.
- Includes: Vinyl coated nylon bag.
- Dimensions: 62" W x 84" L.

Order No.	Mfg. No. / Description	Price
429212	(JSA-1003)	\$109.98 C

Survival Instructions

Order No.	Mfg. No. / Description	Price
851053	(DRZ2447)	\$6.98 C

Life Saving Signal Card

Order No.	Mfg. No. / Description	Price
851041	(DCA01020)	\$12.98 C

Boss Lined PVC Rain Suit - 35mm



- Polyester lined, 3 piece 35mm PVC rain suit.
- Adjustable elastic suspenders
- Detachable hood.
- Non-corrosive, non-conductive plastic snaps.
- Storm-fly front on bibs and jacket.
- Take-up snaps on ankles and cuffs.
- Two snap pockets on jacket.
- Yellow.

Order No.	Mfg. No. / Description	Price
303287	(3PRO290Y MED) Medium	\$16.98 G
303289	(3PRO290Y LG) Large	\$16.98 G
303290	(3PRO290Y XL) X Large	\$16.98 G
303291	(3PRO290Y XXL) XX Large	\$16.98 G
303293	(3PRO290YG 3X) XXX Large	\$16.98 G
303294	(3PRO290Y4X) XXXX Large	\$16.98 G

Mustang Survival H.I.T. Inflatable Work Vest



350623



- USCG Type V Inflatable Work Vest.
- Can also be worn as a Type II inflatable.
- 1F auto Hydrostatic Inflator Technology protects against inadvertent inflation.
- Durable PU-coated nylon shell offers improved puncture and abrasion resistance.
- 5 year maintenance-free inflator with status indicator window.
- Custom-molded inflator cover reduces wear and protects inflator cap.
- SecureZip closure features recessed zipper to protect teeth from oil, grease and other contaminants.
- CO2 cylinder contained inside cell to protect against corrosion.
- Retro-reflective SOLAS Tape on front and back outer shell.
- Strobe light holder, safety whistle and additional SOLAS reflective tape visible when inflated.
- Includes back-up oral inflation tube and manual activation cord.
- Universal Adult [16 years + / 80 lbs. +] with chest size 30" - 52".
- Provides 35 lb. of buoyancy when inflated.

Order No.	Mfg. No. / Description	Price
350609	(MD3188-2) Orange	\$398.98 F
350623	(MA7214) Re-Arm Kit	\$105.98 E

Crewsaver Crewfit 35 Commercial Work Vest



- 35 lbs. of buoyancy.
- Automatic inflation mechanism.
- Halkey Roberts.
- Heavy duty cover.
- Indicator window.
- USCG Type III/V Approval.
- SOLAS Reflective Tape.
- Safety orange.
- Velcro enclosure.
- Compact design.
- Lays flat.

Order No.	Mfg. No. / Description	Price
586015	(55-95050A)	\$393.98 F

Stearns Ocean Mate™ SOLAS Life Vests



- Ocean Mate 1 Vest meets 2010 SOLAS requirements.
- Heavy duty hardware with an attached SOLAS whistle.
- Lifting loop for rescues from boats or helicopters.
- Buddy line that attaches to other PFDs.
- Durable Crosstech Flotation Foam and nylon ripstop shell.
- SOLAS-grade reflective tape and light attachment for added visibility in the water.
- USCG/MED/SOLAS Approved Type I.
- Complies with LSA Code 2003 Ed, MSC. 200(80) and MED.

Order No.	Mfg. No. / Description	Price
630520	(2000011387) Child For Children 33 lbs. to 95 lbs.	\$90.98 F
630522	(2000019691) Adult For Adults Over 90 lbs.	\$90.98 F
436477	(3000001441) Extension Strap for Oversize Adults	\$15.98 F

Imperial Basic Ferry Boat PFD



- An inherently-buoyant, self-righting lifejacket designed to be worn for extended survival in rough, open water where superior flotation characteristics are necessary.
- Reversible yoke-style flotation device.
- Stackable for easy storage.
- 110 sq. in. of SOLAS-grade reflective tape.
- Attachment loop on vest.
- Fitted with a whistle and buddy line.
- Minimum 22 lbs. of buoyancy for adult, 11 lbs. for child.
- USCG Approved Type I.

Order No.	Mfg. No. / Description	Price
586013	(161RT) Child For Children Under 90 lbs.	\$67.98 I
586012	(160RT) Adult For Adults Over 90 lbs.	\$67.98 I
586000	(160RT-4PK) Adult Set of Four in a Hassock Bag	\$158.98 F

Imperial Basic Offshore PFD



- A basic offshore personal flotation device (PFD) is an inherently-buoyant lifejacket recommended for use in offshore or rough waters where rescue may be delayed.
- Has a unique reversible design.
- Weather and fade-resistant polyester fabric.
- 126 sq. in. of SOLAS-grade reflective tape.
- Light loop and whistle attachment over shoulder.
- Minimum 24 lbs. of buoyancy.
- Adult universal size: For adults over 90 lbs.
- USCG Approved Type I, CFR 160.055 compliant.

Order No.	Mfg. No. / Description	Price
585996	(198RT) Adult	\$76.98 I

Imperial Deluxe Offshore PFD



- A deluxe offshore personal flotation device (PFD) is an inherently buoyant lifejacket designed for blue water vessels.
- Holds Safety of Life at Sea (SOLAS) Approval.
- Foldable and stackable for easy storage.
- Weather and fade-resistant polyester fabric.
- 110 sq. in. of SOLAS-grade reflective tape.
- Fitted with a whistle and buddy line.
- Minimum 22 lbs of buoyancy.
- USCG Approved Type I.

Order No.	Mfg. No. / Description	Price
586208	(230RT) Adult For Adults Over 90 lbs.	\$77.98 F
586205	(60-23078398) Belt Extender	\$77.98 F

- Fun & Flotation
- Anchor & Dock
- Safety
- Electronics
- Trolling Motors
- Lighting
- Electrical
- Topside Acc.
- Cockpit & Deck
- Instruments
- Steering, Controls
- Perform.
- Fuel System
- Engine & Parts
- Engine Care
- Propellers
- Seating & Pedestals
- Tops & Covers
- Pumps
- Cleaning & Care
- Paint & Paint Acc.
- Hardware, Fasteners
- Trailering
- Misc.

Stearns Work Zone Gear™ Life Vests



- Comfortable, high-visibility protection on the water.
- Durable construction - lightweight Crosstech flotation foam and polyester outer shell.
- Two body straps and zippered front for a customized fit.
- Large arm holes and low necklines for easy movement.
- Two pockets with hook and loop tape closures keep tools close.
- D-ring for attaching gear.
- Minimum 15.5 lbs. of buoyancy.
- 3M Scotchlite Reflective Material SOLAS - grade 6187 on panels.
- USCG Approved Type III.

Order No.	Mfg. No. / Description	Price
630562	(2000011410) Medium Chest Size: 40" - 42"	\$64.98 F
630574	(2000011357) Large Chest Size: 44" - 46"	\$64.98 F
630586	(2000011412) X Large Chest Size: 48" - 50"	\$64.98 F
630598	(2000011413) XX Large Chest Size: 50" - 52"	\$64.98 F
630600	(2000011414) XXX Large Chest Size: 54" - 56"	\$64.98 F

Stearns First Mate™ Life Vest



- Durable construction; soft flotation foam, 200D nylon shell and Vislon zipper.
- Four hook-and-loop pockets to keep tools close.
- Two sturdy D-rings to hang gear.
- 3M Scotchlite Reflective Material SOLAS - grade 6755 panel patches for added visibility.
- Contoured design and side-adjustment tabs for quick, customized fit.
- Minimum 15.5 lbs. of buoyancy.
- USCG Approved Type III.

Order No.	Mfg. No. / Description	Price
630555	(2000011408) 4X Large/7X Large Chest Size: 48" - 68"	\$96.98 F

Mustang Survival Industrial Mesh Vests



- Offers maximum visibility, mobility, cooling and comfort with features such as large arm holes, mesh shoulders and 32 square inches of SOLAS reflective tape across the front and back of the vest.
- Large front pocket with Velcro closure.
- Side adjustments for dual sizing.
- Strength tested to 50 MPH.
- USCG Approved Type III.

Order No.	Mfg. No. / Description	Price
350670	(MV1254) Small/Medium Chest Size: 34" - 42"	\$70.98 F
350671	(MV1254) Large/X Large Chest Size: 42" - 50"	\$70.98 F
350672	(MV1254) XX Large/XXX Large Chest Size: 50" - 58"	\$78.98 F

Stearns Versatile™ Life Vests



- Durable construction; durable nylon shell, marine mesh lining and PVC flotation foam.
- Plenty of workplace storage; four roomy hook and loop pockets, a couple D-rings and eyelets to attach safety equipment.
- 3M Scotchlite Reflective Material SOLAS - grade 6755 on panels for added visibility.
- Flotation foam inserts offer up buoyancy and maneuverability.
- Side tabs allow you to quickly adjust the vest for a customized fit.
- Distinctive orange color alerts those nearby to the location of wearer.
- Vislon zipper makes quick work of putting on the vest.
- Minimum 15.5 lbs. of buoyancy.
- USCG Approved Type III.

Order No.	Mfg. No. / Description	Price
630613	(I4650RG03000) Medium Chest Size: 40" - 42"	\$100.98 F
630625	(I4650RG04000) Large Chest Size: 44" - 46"	\$100.98 F
630637	(I4650RG05000) X Large Chest Size: 48" - 50"	\$100.98 F
630649	(I4650RG06000) XX Large Chest Size: 50" - 52"	\$100.98 F
630648	(I4650RG07000) XXX Large Chest Size: 54" - 56"	\$104.98 F

Flowt Comfort Mesh Life Vests



- 200 Denier polyester shell resists oil and UV deterioration.
- Large armholes and open sides for maximum comfort.
- Two 1-1/2" encircling body belts with zipper front.
- Three belts on **585983** - XX Large/XXX Large.
- Retroreflective material on front and back.
- 15.5 lbs. buoyancy.
- USCG Approved Type III.

Order No.	Mfg. No. / Description	Price
585971	(41400-L/XL) Large/X Large Chest Size: 40" - 52"	\$61.98 F
585983	(41400-2X/3X) XX Large/XXX Large Chest Size: 50" - 60"	\$61.98 F

Stearns Deck Hand II™ Life Vest



- 10-panel design and side adjustments provide a flexible, contoured fit.
- Breathable marine mesh lining wicks away excess moisture.
- 3M Scotchlite Reflective Material SOLAS - grade reflective strips improve visibility.
- Heavy duty encircling belt, rustproof Vislon zipper and chest pocket.
- 15.5 lbs. of buoyancy.
- USCG Approved Type III.

Order No.	Mfg. No. / Description	Price
630524	(I4160RG03000) Medium Chest Size: 40" - 42"	\$65.98 LQ

- Fun & Flotation
- Anchor & Dock
- Safety
- Electronics
- Trolling Motors
- Lighting
- Electrical
- Topside Acc.
- Cockpit & Deck
- Instruments
- Steering, Controls
- Perform.
- Fuel System
- Engine & Parts
- Engine Care
- Propellers
- Seating & Pedestals
- Tops & Covers
- Pumps
- Cleaning & Care
- Paint & Paint Acc.
- Hardware, Fasteners
- Trailer
- Misc.
- Comm.

Stearns Work Master™ Life Vest



- Soft, comfortable closed-cell foam.
- Hinged back for added maneuverability.
- Marine mesh liner for added breathability.
- Body belt with strap tunnels to reduce snag hazards.
- Flotation collar keeps a swimmer's head in a position to look for help.
- 62 sq. in. of 3M Scotchlite Reflective Material SOLAS - grade 6755 on panels.
- Quick-adjustment slides and easy-snap buckles for a snug fit.
- Durable webbed 1" straps, heavy duty nylon shell and PVC flotation foam.
- 17.5 lbs. of buoyancy.
- USCG Approved Type III/V.

Order No.	Mfg. No. / Description	Chest Size	Price
630512	(2000004520) Adult	34" - 52"	\$84.98 F

Stearns Force™ II Work Vest



- Aquafoam flotation foam retains buoyancy, even when punctured.
- Compatible with most types of fall protection harnesses for added safety.
- 3M Scotchlite SOLAS - grade reflective strips on the front and back improve visibility.
- Dual encircling belts with snag-resistant buckles securely adhere to the body.
- Self-extinguishing construction reduces fire danger risks.
- Delrin snap hooks and D-ring for added convenience.
- 17.5 lbs. of buoyancy.
- USCG Approved Type V.

Order No.	Mfg. No. / Description	Chest Size	Price
630517	(2000013834) Adult	34" - 52"	\$60.98 F
630651	(2000015183) Oversize	52" - 62"	\$62.98 F

Stearns Removable Pockets for Force™ II Work Vest



- Set of two removable pockets to fit most models of vinyl dip work vests.
- Made from tough 420D nylon ripstop with reflective tape.
- Front pocket made to hold a knife, snacks, etc.
- Large back pockets to accommodate radio and battery equipment, etc.

Order No.	Mfg. No. / Description	Price
630518	(2000011467)	\$34.98 F

Imperial Rigger II Work Vest



- Durable 200 denier polyester covering resists UV deterioration.
- Comfortable to wear, lightweight construction.
- 23.6 square inches of SOLAS-grade reflective tape.
- Two encircling belts with snag-resistant buckles.
- Minimum 17.5 lbs of buoyancy.
- Adult universal size: For adults over 90 lbs., chest size of 32" - 54".
- USCG Approved Type V, CFR 160.053 compliant.

Order No.	Mfg. No. / Description	Price
586202	(290EFRT) Adult	\$70.98 I

Imperial Vinyl-Dipped Work Vest



- An inherently buoyant personal flotation device (PFD) manufactured with a smooth, durable vinyl coating over self-extinguishing contoured flotation foam panels which are resistant to deterioration.
- Foam retains buoyancy even when punctured.
- Opening on back panel accommodates most harnesses.
- Adjustable chest and shoulder straps.
- 17.5 square inches of SOLAS-grade reflective tape.
- Minimum 15.5 lbs. of buoyancy.
- Adult universal size: For adults over 90 lbs., chest size of 32" - 54".
- USCG Approved Type V, CFR 160.053 compliant and CFR 1926.106 (OSHA) compliant.

Order No.	Mfg. No. / Description	Price
585957	(280RT) Adult	\$54.98 F

Taylortec Welding Ready Work Vest



- This vest uses flame resistant webbing, thread, fabric and stainless steel hardware.
- Up to size 6XL, reflective tape, and custom silk screen stenciling.
- USCG Approved Type V, 160.053/95/0.
- 17.5 lbs minimum buoyancy (78 newtons).

Order No.	Mfg. No. / Description	Price
645701	(WV-9-C)	\$66.98 LQ

- Fun & Flotation
- Anchor & Dock
- Safety
- Electronics
- Trolling Motors
- Lighting
- Electrical
- Topside Acc.
- Cockpit & Deck
- Instruments
- Steering, Controls
- Perform.
- Fuel System
- Engine & Parts
- Engine Care
- Propellers
- Seating & Pedestals
- Tops & Covers
- Pumps
- Cleaning & Care
- Paint & Paint Acc.
- Hardware, Fasteners
- Trailering
- Misc.

Stearns Flotation Jacket



Special Order - Allow 2 Weeks for Delivery



- Mid-thigh design with Suisse Aire Flotation Foam and a minimum 15.5 lbs. of buoyancy.
- Storm cuffs, sealed seams, a two-way zipper and concealed hood prevent water from seeping inside.
- 3M Scotchlite reflective shoulder and wrist strips offer enhanced visibility.
- Storm flap, handwarmer and cargo pockets keep chilly hands warm.
- Available in sizes: Small to XXX Large.
- Color: International Orange, Navy, Orange/Navy.
- USCG Approved Type III.

Stearns Bomber Style Flotation Jacket



Special Order - Allow 2 Weeks for Delivery



- This water-resistant, coated nylon shell jacket is filled with PVC foam for a minimum 15.5 lbs. of buoyancy.
- 3M Scotchlite SOLAS-grade reflective strips on arms and shoulders enhance visibility.
- Improved fit waistband and wrists won't soak up water when wet, ensuring true-to-foam wear.
- Multiple pockets with hook-and-loop closure for more secure storage.
- USCG Approved Type III.

Stearns Immersion Suits - Type S



- Cold Water Immersion Suit - Type S (USCG/MED /SOLAS Approved).
- 5mm, stretchable, flame-retardant neoprene for protection from hypothermia in the water.
- Face shields and five-fingered, integrated gloves for easy maneuvering.
- Inflatable neck support keeps a head in a better position to search for help.
- Immersion suit pocket fits most brands of approved lights.
- SOLAS Approved whistle to alert rescue crews.
- 3M Scotchlite Reflective Material SOLAS - grade 3150-A PS with adhesive backing.
- Durable, non-slip soles for safer walking on deck.
- Stainless steel lifting harness for easy recovery from high seas.
- Buddy line with snap hook to attach to other survival suits.
- Each suit comes in its own color-coded storage bag.

Order No.	Mfg. No. / Description	Price
630654	(2000008113) Adult Bag Color: Orange	\$513.98 F
630656	(2000008114) Oversized Adult Bag Color: Green	\$556.98 F

Stearns Thermal Protective Aid



- Designed for hypothermia protection during prolonged exposure in life rafts or lifeboats.
- Polymer-coated fabric repels moisture and reduces heat loss.
- Attached sleeves and taped seams offer added protection against bitter conditions.
- Reflective material around the head and neck.
- Extra-large fit can be pulled on over clothing and PFDs.
- USCG Approved, complies with SOLAS 74/83.

Order No.	Mfg. No. / Description	Price
436469	(ITP1ORG00000) Adult	\$92.98 F

Imperial Immersion Suits (USCG Version)



- Donovan offers a full service station. To pressure test and inspect suits. Suits must be in serviceable condition at all times. The pressure test can reveal leaks that can not be seen with the naked eye. A well maintained suit increases your chance of survival, lasts longer and saves you time and money. An experienced service technician can find seemingly minor defects that can cause major problems.
- The High Rider Ring. It is made of neoprene and attached by zippers making it easy for you to replace yourself. Most other suits have air bladders (high rider rings) that must be brought into a certified station to be replaced.
- Features:
 - One piece, sealed construction made of inherently buoyant 5mm neoprene.
 - Dual-zipper pull tabs.
 - Wide shoulders and legs for quick donning.
 - Three fingered mitt to keep your fingers warmer.
 - Snug-fitting face seal helps keep water out.
 - Back straps keep the ring in place.
 - Suits are true to size.
 - Equipped with whistle.
 - SOLAS-grade reflective tape provides extra visibility of wearer to rescue team.
 - Comes in sturdy storage bag with two handles.

Order No.	Mfg. No. / Description	Price
400325	(80-1409-A-3) Adult	\$405.98 C
400313	(80-1409-J3) Jumbo	\$439.98 C

USCG/SOLAS APPROVED - INTERNATIONAL APPROVAL CHART/MODEL NO.

Ship's Registry	Approval	Adult	Jumbo	Intermed.	Child
USA	USCG #160.171/2/0	1409-A			
USA	USCG #160.171/3/0		1409-J		
USA	USCG #160.171/21/0			1409-0	
USA	USCG #160.171/4/0				1409-C

Features includes: High Rider Ring and storage bag.

Size	Height Range M	Weight Range FT/IN	KG	LBS
Adult	1.49 to 1.9	4' 11" to 6' 3"	50 to 150	110 to 330
Intermediate	1.49 to 1.77	4' 11" to 5' 10"	50 to 81	110 to 180
Jumbo	Over 1.9	Over 6' 3"	Over 150	Over 220
Child	0.99 to 1.27	3' 3" to 4' 2"	20 to 50	44 to 110

- Fun & Flotation
- Anchor & Dock
- Safety
- Electronics
- Trolling Motors
- Lighting
- Electrical
- Topside Acc.
- Cockpit & Deck
- Instruments
- Steering, Controls
- Perform.
- Fuel System
- Engine & Parts
- Engine Care
- Propellers
- Seating & Pedestals
- Tops & Covers
- Pumps
- Cleaning & Care
- Paint & Paint Acc.
- Hardware, Fasteners
- Trailer
- Misc.
- Comm.

Jim-Buoy Life Floats



- International Orange.
- Tough resilient vinyl surface - easily boarded, comfortable in the water - no hard surfaces.
- Lightweight yet easily exceed the most severe USCG tests.
- Double webbing, sunlight or weather never reaches the supporting beackets.
- No exposed metal hardware - all beackets secured inside the float body.
- Solid closed-cell plastic throughout; bullet holes would have only minimal effect on buoyancy.
- Manufactured under the strict supervision of the USCG.
- Shipped by motor freight only.

Order No.	Mfg. No. / Description	Price
266686	(1206) 6 Man Life Float with Tape	\$1,637.98 H
266698	(1208) 8 Man Life Float with Tape	\$1,723.98 H
266701	(1210) 10 Man Life Float with Tape	\$1,981.98 H
266711	(1212) 12 Man Life Float with Tape	\$2,154.98 H
266725	(1215) 15 Man Life Float with Tape	\$2,688.98 H
266749	(1222) 22 Man Life Float with Tape	\$3,274.98 H

MFG #	Person	Length	Width	Diameter	Weight
1206	6	50-1/2"	36-1/2"	8-1/2"	23 lbs.
1208	8	51"	37"	9"	25 lbs.
1210	10	63"	37"	9"	30 lbs.
1212	12	78"	37"	9"	38 lbs.
1215	15	64"	48"	12-1/2"	50 lbs.
1222	22	100"	48"	12-1/2"	70 lbs.

Order No.	Mfg. No. / Description	Price
267840	(500) Vinyl Repair Kit	\$45.98 H

Jim-Buoy Float-Free Link, Painter Cage



- Each unit contains: (1) Stainless steel cage, 100' of black 5/16" polypropylene rope (1,600 lb. test) and wire link.
- All wire links are tagged to identify the raft size it is legal for.
- Rope ends are tagged as to their use.

Order No.	Mfg. No. / Description	Price
267841	(501-SM) 6 - 10 Man	\$156.98 H
267842	(501-MD) 11 - 20 Man	\$156.98 H
267843	(501-LR) 21 or More Man	\$156.98 H

REPLACEMENT LINK ONLY

Order No.	Mfg. No. / Description	Price
267850	(FLT6-10) Small	\$34.98 F
267852	(FLT11-20) Medium	\$34.98 F
267851	(FLT21-25) Large	\$34.98 F

Billy Pugh Life Float Launchers



- Provides an easy, quick method for launching life floats.
- Manufactured from aluminum (also available in galvanized steel) with stainless steel release handle and attachment hardware.

Order No.	Mfg. No. / Description	Price
484597	(LFL-6A) 6 Person	\$1,436.00 B

Billy Pugh Life Floats

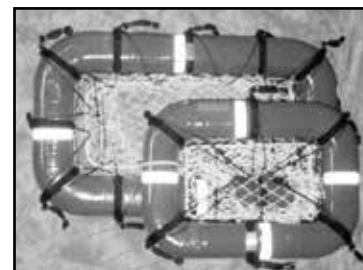


- Manufactured with a hard outer shell and a urethane inner core.
- Include a nylon basket and black polypropylene rope which is mildew, rot and sunlight resistant.
- Can be re-rigged in the field.

Order No.	Mfg. No. / Description	Price
484410	(LF-6) Person Capacity: 6 Dim.: 54" x 39" x 11"	\$1,057.00 D
484422	(LF-12) Person Capacity: 12 Dim.: 77" x 47" x 12"	\$1,452.00 D

The Roe Life Float

- Made with a polyurethane core with a fiberglass exterior.
- It is painted with a two part, orange epoxy paint as a protective layer.
- The tray netting is hand knit with approximately a 2" x 2" mesh using white 1/8" cording.
- Completely repairable.
- USCG Approved.
- Listed as type approved crafts by the The American Bureau of Shipping.



Order No.	Description	Shipping Weight	Price
851952	6 Person Life Float	34 lbs.	\$1,142.98 C
851964	12 Person Life Float	55 lbs.	\$1,561.98 C
851976	15 Person Life Float	63 lbs.	\$1,637.98 C
851988	25 Person Life Float	111 lbs.	\$2,512.98 C

Jim-Buoy Float-Free Link, Painter Cage



- Fits any stack of four rafts or any stack which equals a capacity of 21 or more man.
- For example: A 12 man size raft and two 6 man size rafts would equal 24 man size and would require only one unit for the three rafts.
- Each unit contains: (1) Stainless steel cage, 100' of black 7/16" polypropylene rope (3,000 lb. test) and wire link.

Order No.	Mfg. No. / Description	Price
267845	(504)	\$172.98 H

Billy Pugh Life Float Painter



- Keep your painter lines out of the sun and ready when needed.
- Comes with 150' of nylon line in a PVC container.
- Meets USCG.

Order No.	Mfg. No. / Description	Price
484585	(LFP-150) 1/2" Rope	\$300.00 B

- Fun & Flotation
- Anchor & Dock
- Safety
- Electronics
- Trolling Motors
- Lighting
- Electrical
- Topside Acc.
- Cockpit & Deck
- Instruments
- Steering, Controls
- Perform.
- Fuel System
- Engine & Parts
- Engine Care
- Propellers
- Seating & Pedestals
- Tops & Covers
- Pumps
- Cleaning & Care
- Paint & Paint Acc.
- Hardware, Fasteners
- Trailerling
- Misc.

Billy Pugh Products



- Fun & Flotation
- Anchor & Dock
- Safety
- Electronics
- Trolling Motors
- Lighting
- Electrical
- Topside Acc.
- Cockpit & Deck
- Instruments
- Steering, Controls
- Perform.
- Fuel System
- Engine & Parts
- Engine Care
- Propellers
- Seating & Pedestals
- Tops & Covers
- Pumps
- Cleaning & Care
- Paint & Paint Acc.
- Hardware, Fasteners
- Trailer
- Misc.

SCRAMBLE NETS

- Spreader bars from oak wood or steel.
- Specify type of rope and mesh size.
- Made to order.

ALL WEATHER SWING ROPE

SAFETY PIPE HOOKS

- Features a spring-loaded jaw to hold hook securely in place after crewman has attached hook to pipe casing.
- This eliminates the need to hold hook to pipe casing while slack is being taken out of the cable sling.
- Various sizes available.

Billy Pugh Personnel Work Baskets



- This lightweight basket is designed for those jobs not requiring steel OSHA Man Basket specification.
- This basket is collapsible, flexible but very strong.
- The bottom is fitted with canvas to keep tools or other small objects from falling out.
- Pick-up ring: 7/8" x 5-1/2", with 4 legs - each made of 1" polypropylene.
- Each rope has a tensile strength of 12,600 lbs.
- Top ring: 1-1/2" x 42-1/2" diameter aluminum.
- Overall basket height 14'.

Order No.	Mfg. No. / Description	Outside Diameter	Weight	Price
484499	(PWB-2) 1 - 2 Persons	45"	118 lbs.	\$2,499.00 B
484501	(PWB-4) 3 - 4 Persons	51"	129 lbs.	\$2,645.00 B

Billy Pugh Personnel Net - For Rougher Seas



- API specification 2C Third Edition, March 1983, Section 5.4 (d). S.W.L. R2500LGS with design factor of 10.
- Lifting ring - 7/8" forged steel.
- Hand spliced eyes (no swages). Safety load line.
- Stabilizer unit covered with plastic impregnated fabric netting lines 3/4" 9,950 lbs. test each.
- Top ring 30" padded.
- Bottom ring overall dimensions 72" with padding.
- Padding is shock absorbing, synthetic floatation material.
- Bottom to top ring: 9'. Four entrances to net.
- Overall vertical length 33'.
- Bottom of net - 5 rubber chafe pads.
- ABS equipment type approval program.

Order No.	Mfg. No. / Description	Price
484509	(X-871)	\$3,170.00 B

Billy Pugh Cargo Basket



- Heavy cargo can be moved into basket in collapsed position reducing potential for lifting associated injuries.
- Inner canvas designed to prevent smaller objects from rolling out.
- Rounded/padded design reduces potential for damage to boats.
- Floor is treated steel pipe.
- 5/8" galvanized lifting cables frame and 3/4" treated plywood bottom.
- Overall basket height: 10'. Diameter 6'.
- Side extension 3'. Collapsed height 1'.
- Weight 300 lbs.
- Safe working load 3,500 lbs.
- Cable pick-up slings.

Order No.	Mfg. No. / Description	Price
484511	(X-8CB)	\$3,889.00 B

Billy Pugh Stokes Wire Stretcher



- Stokes steel litter with straps.
- Dimensions: 83" L x 25" W x 9" D.
- App. weight: 28 lbs.

Order No.	Mfg. No. / Description	Price
484634	(S-1 B PUGH) Litter Only	\$440.00 B
484636	(PU-B B PUGH) Pick-Up Bridle	\$211.00 B
484648	(FC-S1) Flotation Collar - 61" x 38" x 5"	\$481.00 B

MSA Diamond® Energy-Absorbing Lanyard



- Durable polyester sheath for increased abrasion and UV resistance.
- Keeps fall arrest forces below 900 lbs.
- Highly visible deployment tag.
- Pouchless design for lighter weight and comfortable wear.
- Single leg configuration. 36C steel snaphooks.
- OSHA and ANSI Approved. CSA Certified.

Order No.	Mfg. No. / Description	Price
773297	(10023932) Length 6'	\$73.98 C

MSA FP Pro™ Harness



- Provides comfortable protection due to its super lightweight features and durable webbing.
- Vest styles with back D-ring.
- Color-contrasting thigh and torso straps simplify donning.
- Bright red polyester webbing for high visibility.
- OSHA and ANSI Approved. CSA Certified.

Order No.	Mfg. No. / Description	Price
773273	(415947)	\$86.98 C

MSA EVOTECH® Full-Body Harness



- Leg strap design keeps leg straps in place.
- Variable width sub-pelvic webbing provides 50% more surface area.
- Dual-color webbing - red pattern on outside, black on inside.
- Web management system provides means of storing excess webbing.
- Qwik-Fit buckle hardware on chest and leg straps.
- Single-hand torso adjustment buckles simplify harness adjustment.
- 3-position back D-ring allows users to determine optimal lanyard connection position.
- RFID enabled - RFID chip provides easy means of tracking and inspecting product.
- Web finials prevent fraying on web ends.
- NanoSphere coating on webbing repels dirt, grease, moisture, etc.
- Reflective piping integrated into harness webbing increases visibility in low-light environments.
- OSHA and ANSI Approved.

Order No.	Mfg. No. / Description	Price
773278	(10113495)	\$188.98 C

- Fun & Flotation
- Anchor & Dock
- Safety
- Electronics
- Trolling Motors
- Lighting
- Electrical
- Topside Acc.
- Cockpit & Deck
- Instruments
- Steering, Controls
- Perform.
- Fuel System
- Engine & Parts
- Engine Care
- Propellers
- Seating & Pedestals
- Tops & Covers
- Pumps
- Cleaning & Care
- Paint & Paint Acc.
- Hardware, Fasteners
- Trailer
- Misc.

Apollo Pilot Ladders

Pilot Ladder Classified by Underwriters Laboratories, Inc. In accordance with USCG Regulation Title 46 Chapter 1 Part 163.003



ADONIC I PILOT LADDER

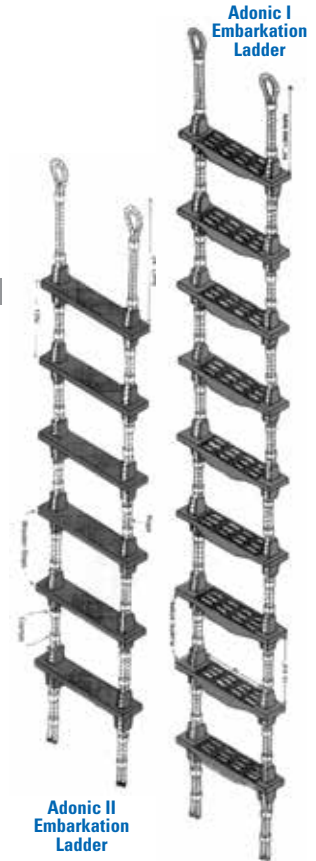
- USCG Approval #163.003/19/0.
- Meets and exceeds SOLAS standards.
- Tested by Underwriters Laboratories, Inc. with a drop test of 150 ft. maximum length.
- Each step tested 2,000 lbs.
- Steps and spreaders: Painted International Orange, molded polyurethane made by Rubber Millers, Inc.
- Rope: Polypro-dacron with white outer jacket and orange inner core for safety.
- Clamp - 6063 alloy aluminum.
- Replacement steps are designed to be replaced quickly and easily right on board the vessel.
- No need to unstring the ladder or special tools required.
- All pilot ladders are sold by the foot.

ADONIC II PILOT LADDER

- USCG Approval #163.003/12/0.
- Meets and exceeds SOLAS standards.
- Each step tested 2,000 lbs.
- Steps and spreaders: Wood oak, non skid grit, diamond groove and painted International Orange.
- Rope: 3/4" Synflex Poly-Plus.
- Clamp - 6063 alloy aluminum.

Apollo Embarkation Ladders

Embarkation-Debarcation Equivalent to Chain Ladder Classified by Underwriters Laboratories, Inc. In accordance with USCG Regulation Title 46 Chapter 1 Part 160.017



Adonic I Embarkation Ladder

Adonic II Embarkation Ladder

ADONIC I EMBARKATION LADDER

- Equivalent to chain ladder.
- USCG Approval #160.017/61/0.
- Meets and exceeds SOLAS standards.
- Tested by Underwriters Laboratories, Inc. with a drop test of 150 ft. maximum length.
- Each step tested 2,000 lbs.
- Steps: Painted International Orange, molded polyurethane made by Rubber Millers, Inc.
- Rope: Polypro-dacron with white outer jacket and orange inner core for safety.
- Clamp - 6063 alloy aluminum.
- Replacement steps are designed to be replaced quickly and easily right on board the vessel.
- No need to unstring the ladder or special tools required.
- All embarkation ladders are sold by the foot.
- All pilot ladders are sold by the foot.

ADONIC II EMBARKATION/DEBARKATION LADDER

- Equivalent to chain ladder.
- USCG Approval #160.017/58/0.
- Meets and exceeds SOLAS standards.
- Each step tested 2,000 lbs.
- Steps: Wood oak, non skid grit, diamond groove and painted International Orange.
- Rope: 3/4" Synflex Poly-Plus.
- Clamp - 6063 alloy aluminum.

- Fun & Flotation
- Anchor & Dock
- Safety
- Electronics
- Trolling Motors
- Lighting
- Electrical
- Topside Acc.
- Cockpit & Deck
- Instruments
- Steering, Controls
- Perform.
- Fuel System
- Engine & Parts
- Engine Care
- Propellers
- Seating & Pedestals
- Tops & Covers
- Pumps
- Cleaning & Care
- Paint & Paint Acc.
- Hardware, Fasteners
- Trailing
- Misc.



- Constructed of high strength, durable PVC coated nylon fabric.
- All rafts are U.S. Coast Guard Approval #160.151 and manufactured in accordance with the current SOLAS Convention.

THIS LIFE RAFT CONFORMS TO:

- 1983 Chapter III Amendments to SOLAS 1974, Regulation 39.
- U.K. Merchant Shipping Act (L.S.A.) 1986 Schedule 4, Part 1.
- U.K. Fishing Vessels (Safety Provisions) Rules 1975, Rule 85.

APPROVED IN ACCORDANCE WITH SOLAS BY THE FOLLOWING MARITIME AUTHORITIES:

- | | |
|---------------------------------|---------------------------------|
| • D.O. Tp (U.K.) | • Marine Marchande (FRANCE) |
| • Marina Mercante (SPAIN) | • R.I.N.A. (ITALY) |
| • Statens Skibstilsyn (DENMARK) | • Scheepvaartinspectie (SWEDEN) |
| • Dot (CANADA) | • U.S.C.G. (U.S.A.) |

USCG - SOLAS RNAGE (PACK A) - COMPLETE WITH:

- | | | | |
|-----------------------------------|------------------------------|---------------------------|-------------------------|
| • Rescue quoit and 98 ft. of line | • Pump | • Fishing kit | • Tin opener |
| • Floating knife | • Survival instruction cards | • Hand flares | • Drinking vessel |
| • Bailer | • Immediate action cards | • Rocket parachute flares | • First aid kit |
| • Sea anchor and 98 ft. of line | • Heliograph | • Smoke signal | • Anti-sickness tablets |
| • Paddle | • Whistle | • Signal card | • Seasickness bags |
| • Sponge | • Torch | • Food | • Protective aid |
| • Repair kit | • Spare batteries and bulb | • Water | |

USCG - SOLAS RNAGE (PACK B) - COMPLETE WITH:

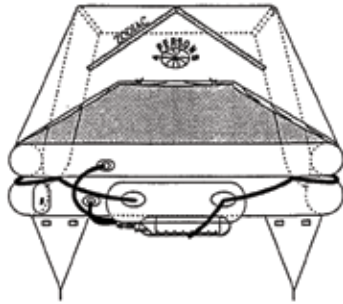
- | | | | |
|-----------------------------------|------------------------------|----------------------------|-------------------------|
| • Rescue quoit and 98 ft. of line | • Repair kit | • Torch | • First aid kit |
| • Floating knife | • Pump | • Spare batteries and bulb | • Anti-sickness tablets |
| • Bailer | • Survival instruction cards | • Hand flares | • Seasickness bags |
| • Sea anchor and 98 ft. of line | • Immediate action cards | • Rocket parachute flares | • Protective aid |
| • Paddle | • Heliograph | • Smoke signal | |
| • Sponge | • Whistle | • Signal card | |

- Fun & Flotation
- Anchor & Dock
- Safety
- Electronics
- Trolling Motors
- Lighting
- Electrical
- Topside Acc.
- Cockpit & Deck
- Instruments
- Steering, Controls
- Perform.
- Fuel System
- Engine & Parts
- Engine Care
- Propellers
- Seating & Pedestals
- Tops & Covers
- Pumps
- Cleaning & Care
- Paint & Paint Acc.
- Hardware, Fasteners
- Trailering
- Misc.



SPECIAL HANDLING MAY APPLY

Life Raft USCG/SOLAS Range - 4 Persons - Pack A



- Raft includes hydrostatic release and deck mounting cradle.

Order No.	Description	Price
458500	Pack A	\$3,916.98 B

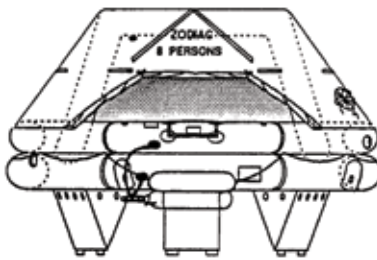
RAFT DIMENSIONS:

	Pack A
Inside Dimensions	1,500 x 1,500
Outside Dimensions	2,000 x 2,000
Total Volume	667 dm ³
Required Volume	576 dm ³
Interior Area	225 dm ²
Required Area	223, 2 dm ²
Weight	69 kg
Drop Height	36 m

CONTAINER DIMENSIONS:

Length	1,160 (3' 9-1/2")
Diameter	530 (1' 9")
Weight	72 kg (158 lbs.)

Life Raft USCG/SOLAS Range - 8 Persons - Pack A



- Raft includes hydrostatic release and deck mounting cradle.

Order No.	Description	Price
458516	Pack A	\$4,360.98 B

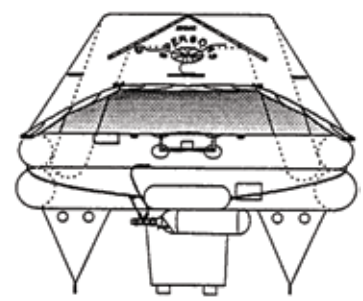
RAFT DIMENSIONS:

	Pack A
Inside Dimensions	2,215 x 1,915
Outside Dimensions	2,865 x 2,479
Total Volume	925 dm ³
Required Volume	768 dm ³
Interior Area	313 dm ²
Required Area	297, 6 dm ²
Weight	79 kg
Drop Height	36 m

CONTAINER DIMENSIONS:

Length	1,160 (3' 9-1/2")
Diameter	530 (1' 9")
Weight	70 kg (174 lbs.)

Life Raft USCG/SOLAS Range - 6 Persons - Pack A



- Raft includes hydrostatic release and deck mounting cradle.

Order No.	Description	Price
458504	Pack A	\$4,138.98 B

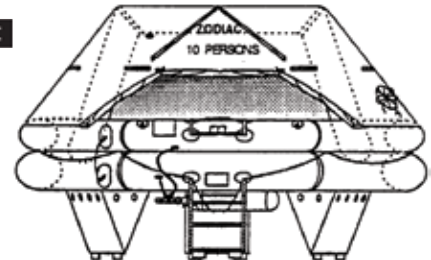
RAFT DIMENSIONS:

	Pack A
Inside Dimensions	1,500 x 1,500
Outside Dimensions	2,000 x 2,000
Total Volume	667 dm ³
Required Volume	576 dm ³
Interior Area	225 dm ²
Required Area	223, 2 dm ²
Weight	69 kg
Drop Height	36 m

CONTAINER DIMENSIONS:

Length	1,160 (3' 9-1/2")
Diameter	530 (1' 9")
Weight	72 kg (158 lbs.)

Life Raft USCG/SOLAS Range - 10 Persons - Pack A



- Raft includes hydrostatic release and deck mounting cradle.

Order No.	Description	Price
458528	Pack A	\$4,877.98 B

RAFT DIMENSIONS:

	Pack A
Inside Dimensions	2,434 x 2,110
Outside Dimensions	3,106 x 2,692
Total Volume	1,108 dm ³
Required Volume	960 dm ³
Interior Area	386 dm ²
Required Area	372 dm ²
Weight	96 kg
Drop Height	36 m

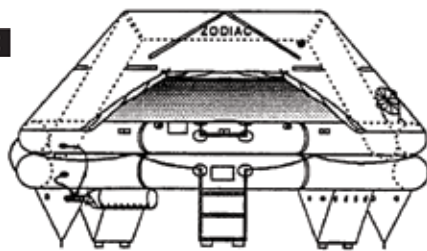
CONTAINER DIMENSIONS:

Length	1,275 (4' 2")
Diameter	585 (1' 11")
Weight	103 kg (226, 8 lbs.)

SPECIAL HANDLING MAY APPLY



Life Raft USCG/SOLAS Range - 12 Persons - Pack A



- Raft includes hydrostatic release and deck mounting cradle.

Order No.	Description	Price
458529	Pack A	\$5,172.98 B

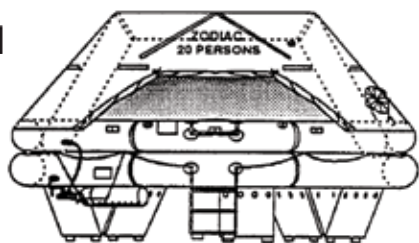
RAFT DIMENSIONS:

	Pack A
Inside Dimensions	2,964 x 2,740
Outside Dimensions	3,676 x 3,398
Total Volume	1,772 dm ³
Required Volume	1,536 dm ³
Interior Area	616, 5 dm ²
Required Area	595, 2 dm ²
Weight	135 kg
Drop Height	36 m

CONTAINER DIMENSIONS:

Length	1,275 (4' 2")
Diameter	615 (2' 1/4")
Weight	119 kg (262.1 lbs.)

Life Raft USCG/SOLAS Range - 20 Persons - Pack A



- Raft includes hydrostatic release and deck mounting cradle.

Order No.	Description	Price
458542	Pack A	\$6,282.98 B

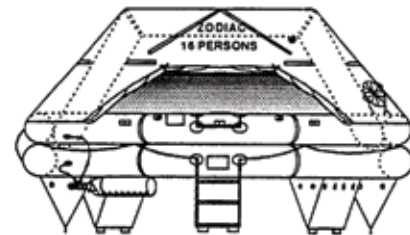
RAFT DIMENSIONS:

	Pack A
Inside Dimensions	3,290 x 3,020
Outside Dimensions	4,050 x 3,722
Total Volume	2,229 dm ³
Required Volume	1,920 dm ³
Interior Area	749 dm ²
Required Area	744 dm ²
Weight	155 kg
Drop Height	36 m

CONTAINER DIMENSIONS:

Length	1,275 (4' 2")
Diameter	735 (2' 5")
Weight	161 kg (254, 6 lbs.)

Life Raft USCG/SOLAS Range - 16 Persons - Pack A



- Raft includes hydrostatic release and deck mounting cradle.

Order No.	Description	Price
458530	Pack A	\$5,764.98 B

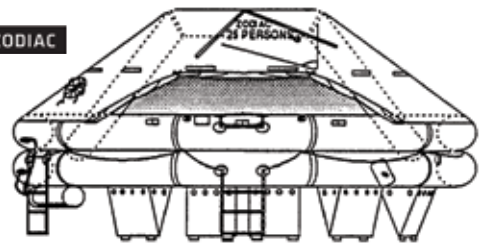
RAFT DIMENSIONS:

	Pack A
Inside Dimensions	2,964 x 2,740
Outside Dimensions	3,676 x 3,398
Total Volume	1,772 dm ³
Required Volume	1,536 dm ³
Interior Area	616, 5 dm ²
Required Area	595, 2 dm ²
Weight	135 kg
Drop Height	36 m

CONTAINER DIMENSIONS:

Length	1,275 (4' 2")
Diameter	615 (2' 1/4")
Weight	134 kg (295, 1 lbs.)

Life Raft USCG/SOLAS Range - 10 Persons - Pack A



- Raft includes hydrostatic release and deck mounting cradle.

Order No.	Description	Price
458554	Pack A	\$6,651.98 B

RAFT DIMENSIONS:

	Pack A
Inside Dimensions	3,520 x 3,720
Outside Dimensions	4,250 x 4,480
Total Volume	2,799 dm ³
Required Volume	2,400 dm ³
Interior Area	1,004, 6 dm ²
Required Area	930, 2 dm ²
Weight	198 kg
Drop Height	36 m

CONTAINER DIMENSIONS:

Length	1,450 (4' 9")
Diameter	735 (2' 5")
Weight	205 kg (451, 5 lbs.)

- Fun & Flotation
- Anchor & Dock
- Safety
- Electronics
- Trolling Motors
- Lighting
- Electrical
- Topside Acc.
- Cockpit & Deck
- Instruments
- Steering, Controls
- Perform.
- Fuel System
- Engine & Parts
- Engine Care
- Propellers
- Seating & Pedestals
- Tools & Covers
- Pumps
- Cleaning & Care
- Paint & Paint Acc.
- Hardware, Fasteners
- Trailering
- Misc.



SPECIAL HANDLING MAY APPLY

Survitec Survival Products OceanMaster Life Rafts



- OceanMaster liferafts are renowned for uncompromising quality and design sophistication.
- In addition to meeting the requirements of the International Convention of the Safety of Life at Sea (SOLAS) 1996, as amended (except for 4-person model), the OceanMaster is manufactured to NATO AQAP 1 quality standards and holds approvals from most major international marine authorities, including the United States Coast Guard and UK Department of Trade.
- Today, there are thousands of OceanMaster liferafts in service on commercial, naval and fishing vessels worldwide.
- Manufactured from polyurethane (PU) coated nylon, ensuring its durability.
- Fully enclosed double skinned high visibility canopy complete with SOLAS-grade reflective tape.
- Non-inflatable easy access boarding ramp.
- Rafts come packed in containers with hydrostatic release unit (HRU) assembly and cradle.
- All models are SOLAS Approved (except for 4-person model) and come with SOLAS "A" Equipment Packs unless otherwise requested.
- USCG Approved.

Order No.	Capacity	Container Type	Dimensions	SOLAS Pack	Price
500071	6 Person	Low Profile	38" x 26.5" x 16.5"	Pack A	\$4,345.98 B
500073	8 Person	Round	50" x 21" x 19"	Pack A	\$4,578.98 B
500074	12 Person	Round	55" x 23" x 21"	Pack A	\$5,431.98 B
500075	16 Person	Round	61" x 23" x 21"	Pack A	\$6,052.98 B
500078	20 Person	Round	64" x 24.5" x 23"	Pack A	\$6,594.98 B
500081	25 Person	Round	64" x 26" x 21"	Pack A	\$6,984.98 B

- Fun & Flotation
- Anchor & Dock
- Safety
- Electronics
- Trolling Motors
- Lighting
- Electrical
- Topside Acc.
- Cockpit & Deck
- Instruments
- Steering, Controls
- Perform.
- Fuel System
- Engine & Parts
- Engine Care
- Propellers
- Seating & Pedestals
- Tops & Covers
- Pumps
- Cleaning & Care
- Paint & Paint Acc.
- Hardware, Fasteners
- Trailer
- Misc.

DBC USCG/SOLAS Seafort Inflatable Life Rafts



Call for Price and Availability

- Approved to SOLAS, USCG and CCG.
- Easily accessed inflatable boarding ramp.
- Heavy butyl fabric construction.
- Large Icelandic ballast pockets providing increased stability.
- Full and efficient product support throughout North America.
- 10 year fabric and seam warranty (subject to annual servicing by DBC approved service station).

Suitcase Container

Type	Equipment Pack	Dimensions	Weight Inc. Cradle
4 Person	Full Ocean/SOLAS 'A'	23" x 31" x 12" (58 x 79 x 30cm)	109 lbs. (49.4kg)
6 Person	SOLAS 'A'	23" x 31" x 15" (58 x 79 x 38cm)	142 lbs. (64.4kg)

Round Container

Type	Equipment Pack	Dimensions (Length x Dia.)	Weight Inc. Cradle
8 Person	SOLAS 'A'	42" x 23" (107 x 59cm)	185 lbs. (84.0kg)
10 Person	SOLAS 'A'	46" x 25" (117 x 64cm)	216 lbs. (98.0kg)
16 Person	SOLAS 'A'	50" x 27" (127 x 69cm)	317 lbs. (144.0kg)
25 Person	SOLAS 'A'	55" x 30" (140 x 76cm)	399 lbs. (181.5kg)
50 Person	SOLAS 'A'	74" x 39" (187 x 73cm)	650 lbs. (294.8kg)

SPECIAL HANDLING MAY APPLY



SurvitecZodiac Open Reversible Inflatable Life Rafts

- Offers double buoyancy chambers which are constructed from specially formulated polyurethane (PU) proofed nylon fabric, which is highly resistant to abrasion and impervious to corrosion in the marine environment.
- Welded seams make this raft impervious to wear and tear.
- IBA Equipment Pack Includes: Compact Paddles, Safety Knife, Heaving Line, Rescue Quoit, Extra Batteries / Bulbs, Anti-Seasick Tablets, Emergency Instructions, Bailer, Hand Pump, 2 Sponges, Repair Kit, Flashlight, Sea Anchor, 2 PRV Bungs, Signal Mirror.

Order No.	Mfg. No. / Description	Price
458350	(DRZ0463) 4 Person Low Profile Container	\$2,527.98 B
458560	(DRZ33115) 4 Person Valise Container	\$2,261.98 B
458360	(DRZ33025) 6 Person Low Profile Container	\$2,926.98 B
458361	(D00700005019) 6 Person Low Profile Container	\$2,926.98 B
458565	(DRZ33116) 6 Person Valise Container	\$2,660.98 B
458336	(007000049M01) 8 Person Round Container	\$2,889.98 B
458337	(DRZ1593) 10 Person Round Container	\$3,591.98 B
458365	(DRZ33026) 10 Person Low Profile Container	\$3,591.98 B
458338	(DRZ1594) 20 Person Round Container	\$4,788.98 B
458370	(DRZ33027) 20 Person Low Profile Container	\$4,907.98 B
458339	(DRZ0447) 30 Person Round Container	\$5,719.98 B
458342	(D00800035719) 30 Person Round Container	\$5,719.98 B
458375	(DRZ33028) 30 Person Low Profile Container	\$5,719.98 B
458380	(D00800037419) 30 Person Low Profile Container	\$5,719.98 B
458340	(DRZ0448) 50 Person Round Container	\$7,049.98 B
458345	(MKIV 50MAN) 50 Person Round Container	\$7,049.98 B



Crewsaver RescueCase Life Raft

- Six person capacity.
- Compact, lightweight and economical making it well suited for coastal and recreational boaters.
- Fabric is bright yellow to help aid in visual detection by rescuers.
- Comes packed in a lightweight and tough 16-1/2"L x 13"W x 6-1/2"H valise.
- Weight: 25 lbs.
- Has five (5) 1000 lbs. ballast pockets along the bottom.
- Includes loading ladder instead of a stirrup to improve the speed to board.
- CO2 inflation system.
- Six-sided construction.
- Multiple lifelines.

Order No.	Mfg. No. / Description	Price
500065	(50-00010)	\$1,045.98 B



SurvitecZodiac RIBO 450 SOLAS Rescue Boat

- This 4.50 m boat is equipped with a righting system and can be launched using a 4-point sling and approved release hook.
- A SOLAS rigid/inflatable rescue boat approved with USCG and EC approval certificates.
- Number of persons: 6.
- Buoyancy volume: 1,458 l / 51.48 cft.
- Length: Overall 14' 9", inside 11' 7". Width: Overall 6' 3", inside 3' 1".
- Buoyancy diameter: From 1' 5" to 1' 7".
- Safety/inflation: 5 airtight compartments, 5 inflation valves and 5 overpressure valves (Leafield).
- Towing: 2 bow towing rings on hull, 2 towing points on transom, 1 bow towing V with on load release shackle and 1 aft towing V snap hook.
- Hoisting: 2 bow lifting points, 2 aft lifting points on transom and 1 lifting sling.
- Fabric: Neoprene orange fabric, reflective tape, buoyancy and peripheral rubbing strake.
- Hull: GRP composite rigid orange hull, 1 hull drain and reflective tape.
- Transom: 1 self bailer and engine aluminum mounting plate + wooden plate.
- Seating: 2 fixed benches and 1 tilting bench.
- Equipment fixed to the rescue boat: Radar reflector, boat hook, (2) righting lines, positioning light, (2) rescue quoits, towing line - 50m and boarding ladder.



Order No.	Mfg. No. / Description	Price
458390	(DRZ34010)	\$19,401.98 B

- Fun & Flotation
- Anchor & Dock
- Safety
- Electronics
- Trolling Motors
- Lighting
- Electrical
- Topside Acc.
- Cockpit & Deck
- Instruments
- Steering, Controls
- Perform.
- Fuel System
- Engine & Parts
- Engine Care
- Propellers
- Seating & Pedestals
- Tops & Covers
- Pumps
- Cleaning & Care
- Paint & Paint Acc.
- Hardware, Fasteners
- Trailering
- Misc.



SPECIAL HANDLING MAY APPLY

Palfinger Marine Aluminum Fast Rescue Boat



- Aluminum Fast Rescue Boat (Type FRSQ 600 A 250HP) complete with 250HP Steyr inboard diesel engine and Hamilton 213 water jet, suitable to accommodate 15 seated persons according to IMO/SOLAS. The equipment fully complies with the latest IMO/SOLAS requirements and LSA Code. The equipment will be certified by USCG and will include a USCG certificate.
- The Fast Rescue Boat is constructed of all seawater resistant aluminum (5083) and a 2-layer paint system suitable for the marine environment (Color: Orange RAL 2004).
- Foam fender included.
- Overall Dimensions: 6.18 m (20.28 ft) LOA x 2.11 m (6.92 ft) BOA x 0.40 m (1.31 ft) Draft.
- Speed: Approximately 30 knots with 3 persons.
- Fixed single point arrangement with offload release hook, type CAR-F 35.
- Excluding survival suits, SART, EPIRB, VHF Radio and complete fitted boat cover.

Order No.	Mfg. No. / Description	Price
514262	(FRSQ600A) Rescue Boat, Alumimum, USCGSQL	Price on Request
514265	(FRSQ600A) Engine Package	Price on Request
514326	(20205) Cord	\$233.98 F

Palfinger Marine USCG/SOLAS Approved Rescue Boat



- The rescue boat, type RSQ 450 A, is designed for long time heavy duty operations under adverse and extreme weather conditions.
- It has been designed especially to rescue people in distress as well as to marshal life rafts.
- It is a rigid rescue boat, completely made of seawater-resistant aluminum.
- The main advantage of aluminum is that it hardly requires any maintenance.
- Contrary to the conventional GRP and especially inflatable rescue boats, the influences of ultraviolet rays and seawater are totally negligible, which obviously works out well to the life span of the RSQ 450 A.
- Its V-shaped hull construction guarantees an optimum planing and subsequent sailing speed with excellent stability characteristics.
- Maximum people: 6.
- Length overall: 4,875 mm. Length hull: 4,320 mm.
- Beam overall: 1,750 mm.
- Lifting arrangement: The rescue boat is equipped with a certified 4-point lifting sling suspension. The certified slings are made from high quality nylon straps. The lifting shackles are made of stainless steel 316.
- Fender: Rubber.



Order No.	Mfg. No. / Description	Price
514112	(RSQ450A) Rescue Boat	\$27,331.98 B
514110	25 HP Engine Kit	\$6,322.98 B
514107	40 HP Engine Kit	\$8,973.98 B
514104	(RSQ450KIT) Anxillary Equipment	\$1,325.98 B

- Fun & Flotation
- Anchor & Dock
- Safety
- Electronics
- Trolling Motors
- Lighting
- Electrical
- Topside Acc.
- Cockpit & Deck
- Instruments
- Steering, Controls
- Perform.
- Fuel System
- Engine & Parts
- Engine Care
- Propellers
- Seating & Pedestals
- Tops & Covers
- Pumps
- Cleaning & Care
- Paint & Paint Acc.
- Hardware, Fasteners
- Trailer
- Misc.
- Comm.

Palfinger Marine Hydraulic Pivoting A Frame Davit



• Application	Rescue Boat Handling.
• Execution	Single line wire rope.
• Safe Working Load (SWL)	3,500 kg (7,716 lbs)
• Outreach	4,014 mm (13.17 ft)
• List/Trim conditions	20°/10°
• Pivoting	Hydraulically by means of accumulated power.
• Hoisting	Electrically (18 m/min)
• Hoisting (Emergency)	Manually by means of ratchet handle.
• Lowering	Gravity lowering.
• Power consumption	Winch motor 18,5 kW; Power pack 3,2 kW.
• Duty class	S2-10min
• Power supply	480V/3ph/60Hz
• Anti-condensation heater	In both starter box & winch motor (230V/40W).
• Length Lowest Waterline	10 m.
• Flag State	EC/MED + USCG

- Hydraulic Pivoting Davit (Type PRHE 35) suitable to handle a FRSQ 600 A 250HP fast rescue boat having a total mass not exceeding 3.500 kg (7,716 lbs) with its full compliment of persons and equipment. The equipment fully complies with the latest IMO/SOLAS requirements and LSA code. The equipment is certified by Bureau Veritas (BV) in accordance with the European Council Directive 96/98 EC on Marine Equipment (M.E.D.), WheelMark. Also includes USCG certificate.
- The above davit includes shock absorber, 42V/450W converter mounted in the starter box for battery charger in fast rescue boat, 2-layer paint system suitable for the marine environment (Color: White RAL 9010) and boat front supports.



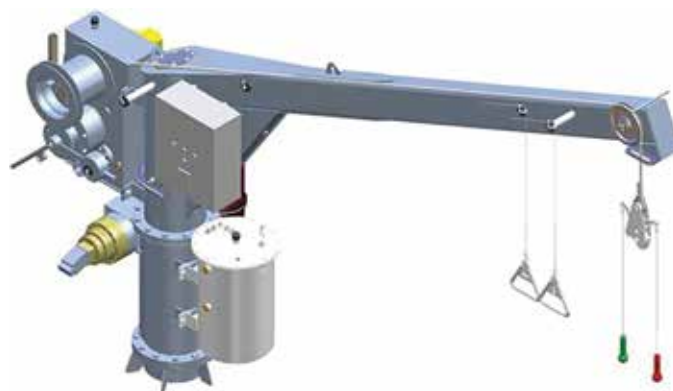
Order No.	Mfg. No. / Description	Price
514267	(PRHE35) HYD Pivot Davit System	\$98,538.98 B

Palfinger Marine Single Arm Hydraulic Slewing Davits



- Hydraulic slewing davit (Type SCH12-3.5R) suitable to handle a rescue boat type Rib 4 meter at a radius of 3.50 meters and a weight of max 1200 kilograms, including persons, fuel and SOLAS Inventory.
- Application: Resuce Boat Handling.
- Safe Working Load (SWL): 1200 kg.
- Fixed Radius: 3.50 m.
- List/Trim Conditions: 20°/10°.
- Slewing: Hydraulically be means of accumulated power.
- Hoisting: Electrically (18 m/min).
- Hoisting (Emergency): Manually by means of crank handle.
- Lowering: Gravity lowering.
- Power Consumption: Winch Motor 5,5 kW. Power Pack 3,2 kW.
- Duty Class: S2-10min.
- Power Supply: 440V/3ph/60Hz.
- Anti-Condensation Heater: In both starter box and winch motor (230V/40W).
- Complete with steel pedestal and hook.
- USCG/SOLAS Approved.

Order No.	Mfg. No. / Description	Price
514098	(SCH12-3.5R) Slews Right	\$51,360.98 B
514096	(SCH12-3.5R) Slews Left	\$57,161.98 B
514099	(CAR35) Auto Release Hook, SOLAS USCG Approval #160. 170NEC006211175BEC	\$1,945.98 B



- Fun & Flotation
- Anchor & Dock
- Safety
- Electronics
- Trolling Motors
- Lighting
- Electrical
- Topside Acc.
- Cockpit & Deck
- Instruments
- Steering, Controls
- Perform.
- Fuel System
- Engine & Parts
- Engine Care
- Propellers
- Seating & Pedestals
- Tops & Covers
- Pumps
- Cleaning & Care
- Paint & Paint Acc.
- Hardware, Fasteners
- Trailering
- Misc.

Palfinger Marine Foldable Knuckle Boom Crane



- Fun & Flotation
- Anchor & Dock
- Safety
- Electronics
- Trolling Motors
- Lighting
- Electrical
- Topside Acc.
- Cockpit & Deck
- Instruments
- Steering, Controls
- Perform.
- Fuel System
- Engine & Parts
- Engine Care
- Propellers
- Seating & Pedestals
- Tops & Covers
- Pumps
- Cleaning & Care
- Paint & Paint Acc.
- Hardware, Fasteners
- Trailer
- Misc.
- Comm.

- Sophisticated crane geometry for effortless work. Strengths and flexibility for loading and unloading.
- Compact construction for numerous applications and use.
- Environmentally friendly hydraulic oils: Can be operated with biodegradable hydraulic oils and lubricants.
- Three-layer marine painting: In addition to the cathodic dip painting (CDP), PALFINGER marine cranes are given a marine coating that is at least 210 µm thick for protection against salt water. This special painting guarantees lasting and resilient surface protection.
- Hydraulic overload protection system: A hydraulic overload protection is optional. In case of an overload situation it prevents all movements that would increase the momentum of the load.
- Slewing angle: The slewing angle of 400 degrees provides the maximum radius of action.
- Welding and bolted versions of crane bases: The anchoring of marine cranes is variable. The crane base can be welded or bolted depending on what the customer wants.
- Maximum Lifting Moment: 55 ft_lbs. Maximum Lifting Capacity: 12,566 lb.
- Maximum Hydraulic Outreach: 45.3 ft. Maximum Manual Outreach: 52.5 ft. Slewing Angle: 400°.
- Maximum Operating Pressure: 4 psi.
- Dead Weight (std.): 79,000 lb. Pump Capacity: 6.6 gal./min.

Order No.	Mfg. No. / Description	Price
514080	(PK8501MA)	Price on Request

Palfinger Marine Accessories

Order No.	Mfg. No. / Description	Price	Order No.	Mfg. No. / Description	Price
514097	(SCH12-3.5RP) Davit Painted	\$52,272.98 B	514175	(90002) SERVICE SET B	\$1,169.98 B
514101	(49PWR-CL) STERNLITE W/POLE	\$25.98 LQ	514178	(90003) SERVICE SET C	\$2,057.98 B
514105	(RBCG) RELEASABLE BOAT CRDL GLV	\$2,135.98 B	514181	(363210030) BRAKE SHOE 04-03 WINCH	\$695.98 B
514106	(NDM HOSE) FUEL HOSE F/NDM440	\$118.98 B	514184	(363210036TA) Spring for Brake Exec. A	\$268.98 B
514113	(10100) BREATHER 3/4" F/WINCH	\$71.98 B	514187	(363210036TB) Spring for Brake Exec. B	\$268.98 B
514114	(KEY) KEY STARTER CAB LOCK	\$95.98 B	514189	(363210036TC) Spring for Brake Exec. C	\$268.98 B
514115	(10105) Breather, 3/8" Bronze	\$79.98 B	514192	(3P-100107EXD) U - RC SHEAVEHOUSE	\$160.98 B
514116	(10101) BREATHER HPU 3/8"	\$73.98 B	514193	(3P-100103) Sheave	\$87.98 B
514117	(10137) Breather, 1/4" Bronze	\$79.98 B	514194	(50600) Pin Spanner, Set of 2	\$220.98 D
514118	(10131) Sight Glass, Brass	\$132.98 B	514196	(3S-CAR35-16) SPRG REV: B	\$37.98 D
514119	(10136) Cable Gland, Brass	\$42.98 B	514198	(3S-CAR35-10) SPRG REV: C	\$57.98 D
514120	(20000) 7KW E-MOTOR 440VOLT	\$1,895.98 B	514200	(3S-CAR35-09) Bushing 1-4401	\$47.98 D
514125	(20050) LIMIT SWITCH	\$1,486.98 B	514202	(3S-CAR35-08) Distance Bushing	\$155.98 D
514129	(30207) HYDRAULIC PUMP	\$4,301.98 B	514203	(3S-CAR35-07) Nut	\$27.98 D
514131	(37031) FLOW CONTROL VALVE	\$282.98 B	514204	(3S-CAR35-06) Shaft	\$69.98 D
514134	(37219) PRESS RELIEF VALVE 350 B	\$858.98 B	514207	(3S-CAR35-05) Latch	\$400.98 D
514144	(39517) PRESSURE SWITCH 290 BAR	\$460.98 B	514208	(10500) Bearing	\$52.98 D
514147	(39518) PRESSURE SWITCH 320 BAR	\$460.98 B	514209	(10009) Slot Spring with Ball	\$104.98 D
514150	(PEDESTAL 400) 400 Steel Pedestal	\$0.00 B	514210	(00934.470.10) Nut	\$17.98 D
514151	(39600) PRESSURE GAUGE 400 BAR	\$204.98 B	514211	(00913.470.05) Hex Socket Set	\$7.98 D
514163	(12062) TRIPLINE - GREEN	\$171.98 B	645742	(4ZT33) Button Head/Grease CPLER	\$28.98 LQ
514166	(12061) TRIPLINE - RED	\$171.98 B	701766	(PRT086-2001) Towing /Painter Line	\$83.98 B
514172	(90001) SERVICE SET A	\$171.98 B	771228	(350-0386) "A" FUEL HOSE 10'	\$47.98 B



PALFINGER

- Heavy duty foldable cranes (PFM)
- Lifting capacity range – 33,069 lbs to 48,061 lbs

Please contact Donovan Marine for further assistance.

PFM. PALFINGER MARINE HEAVY DUTY FOLDABLE KNUCKLE BOOM CRANES.

Lifts extremely heavy loads up to 330.0 mt.



The heavy duty foldable knuckle boom range, PFM, was developed for the highly complex lifting of great loads from 7000 to 21800 kg. Their fields of application are large marine vessels i.e. work boats, navy or research ships. A combination of a telescopic boom and knuckle system makes this giant more flexible compared to common cranes in this field.

www.palfingermarine.com

- Misc.
- Trailering
- Hardware, Fasteners
- Paint & Paint Acc.
- Cleaning & Care
- Pumps
- Tops & Covers
- Seating & Pedestals
- Propellers
- Engine Care
- Engine & Parts
- Fuel System
- Perform.
- Steering, Controls
- Instruments
- Cockpit & Deck
- Topside Acc.
- Electrical
- Lighting
- Trolling Motors
- Electronics
- Safety
- Anchor & Dock
- Fun & Flotation



PALFINGER

- Foldable knuckle boom cranes (PC/PK)
 - Lifting capacity range – 2,293 lbs to 66,139 lbs
- Please contact *Donovan Marine* for further assistance.

PK. PALFINGER MARINE KNUCKLE BOOM CRANES

Compact all-rounders.

www.palfingermarine.com

As a result of their sophisticated crane geometry, work is effortless for PALFINGER MARINE knuckle boom cranes. They make full use of their strength and flexibility when loading and unloading equipment, material, tools and fishing equipment including handling containers. Due to their compact construction, they can easily be accommodated on small ships and docks where space is at a premium.

- Fun & Flotation
- Anchor & Dock
- Safety
- Electronics
- Trolling Motors
- Lighting
- Electrical
- Topside Acc.
- Cockpit & Deck
- Instruments
- Steering, Controls
- Perform.
- Fuel System
- Engine & Parts
- Engine Care
- Propellers
- Seating & Pedestals
- Tops & Covers
- Pumps
- Cleaning & Care
- Paint & Paint Acc.
- Hardware, Fasteners
- Trailer
- Misc.

PKM. PALFINGER MARINE KNUCKLE BOOM CRANES

Maneuverable and strong at the same time.



- Heavy duty knuckle boom cranes (PKM)
 - Lifting capacity range – 4,630 lbs to 19,842 lbs
- Please contact Donovan Marine for further assistance.*



PALFINGER MARINE cranes from the PKM range are at home on working, passenger and marine vessels, yachts and docks. Their boom system means flexible outreach, their knuckle boom makes working at close range more comfortable. Operators enjoy the compact parking position, easy maintenance and flexible winch solutions.

www.palfingermarine.com

- Fun & Flotation
- Anchor & Dock
- Safety
- Electronics
- Trolling Motors
- Lighting
- Electrical
- Topside Acc.
- Cockpit & Deck
- Instruments
- Steering, Controls
- Perform.
- Fuel System
- Engine & Parts
- Engine Care
- Propellers
- Seating & Pedestals
- Tops & Covers
- Pumps
- Cleaning & Care
- Paint & Paint Acc.
- Hardware, Fasteners
- Trailering
- Misc.

- Telescopic boom cranes (PTM)
 - Lifting capacity range – 7,275 lbs to 33,069 lbs
- Please contact *Donovan Marine* for further assistance.

PTM. PALFINGER MARINE
TELESCOPIC CRANES
Flexible helpers on all seas.

PALFINGER MARINE's range of telescopic cranes demonstrate how compact and flexible marine cranes are. The extending telescopic boom enables flexible adjustment of the outreach to any operating conditions. Shorter cable lengths ensure safe load handling at close range. Operators appreciate the ease of maintenance and high level of safety.

www.palfingermarine.com

- Fun & Flotation
- Anchor & Dock
- Safety
- Electronics
- Trolling Motors
- Lighting
- Electrical
- Topside Acc.
- Cockpit & Deck
- Instruments
- Steering, Controls
- Perform.
- Fuel System
- Engine & Parts
- Engine Care
- Propellers
- Seating & Pedestals
- Tops & Covers
- Pumps
- Cleaning & Care
- Paint & Paint Acc.
- Hardware, Fasteners
- Trailer
- Misc.

PSM. PALFINGER MARINE. STIFF BOOM CRANES.

Easily-maintained helpers on the high seas.

PALFINGER



- Stiff boom cranes (PSM)
- Lifting capacity range – 7,716 lbs to 56,438 lbs

Please contact Donovan Marine for further assistance.

Stiff boom cranes by PALFINGER MARINE are impressive due to their exceptional weight/power ratio and their ease to maintain. Their slender design and ability to attach additional winches make them attractive to operators of working, passenger and marine vessels. Demountable crane booms simplify transport.

www.palfingermarine.com

- Fun & Flotation
- Anchor & Dock
- Safety
- Electronics
- Trolling Motors
- Lighting
- Electrical
- Topside Acc.
- Cockpit & Deck
- Instruments
- Steering, Controls
- Perform.
- Fuel System
- Engine & Parts
- Engine Care
- Propellers
- Seating & Pedestals
- Tops & Covers
- Pumps
- Cleaning & Care
- Paint & Paint Acc.
- Hardware, Fasteners
- Trailering
- Misc.

Commercial

Palfinger Marine Marine Crane Specification Sheet

Question

Answer

Customer name

Project name or identification Number

Bid Due Date:

New construction or refurbishing project or Vessel Name/Hull Number

Type of Crane : Knuckle Boom, Telescopic Boom, Stiff Boom

Select Palfinger model required : PK,PSM,PTM,PKM or PFM

Fun & Flotation

Application(s) of crane: Marine, Drilling or Other

Anchor & Dock

Will crane be used in Fresh Water or saltwater applications

Lifting capacity ... kg or Lbs at max outreach ... m or ft

Safety

Sea-state – YES / NO (If NO, Harbour conditions are used)

Electronics

Sea-state condition- See ABS sea state chart attached please select 0-9

Trolling Motors

lifting speed ... m/min or ft/min

hoisting height ... m/min or feet/min

Lighting

CT - constant tension – YES / NO

Electrical

Boat / RIB Handling – YES / NO

Topside Acc.

during launching are people to be sitting in the boat – YES / NO

Cockpit & Deck

If yes, estimated total weight of people and gear. Kg or Lbs

quick release hook required – YES / NO

Instruments

Man riding application – YES / NO-if yes- (Harbor or offshore Operational conditions)

Steering, Controls

lifting capacity ... kg or Lbs at max outreach in m or ft

Perform.

lifting speed ... m/min or ft per min

Fuel System

hoisting height ... m/or ft

Engine & Parts

Power pack – YES / NO if yes please answer next question.

voltage / frequency - 3x 400V / 50Hz or 60 cycle (state Voltage)

Engine Care

ex-proof – YES / NO If yes please answer next question

Propellers

exact grade of ex-proof execution zone (0...2) Temp (T1--T6) Class I---III

Seating & Pedestals

CE - Declaration of conformity – YES / NO

Tops & Covers

Average ambient operating temperature with 24 hour period

Operating Design temperature of vessel or drilling rig

Pumps

Class certificate – GL, LRS, ABS, DNV, BV or other

Cleaning & Care

Man riding basket–YES / NO- if yes please advise if DNV or other approval is required

Paint & Paint Acc.

Type of controls: Local , remote, Radio with cable or full radio control.

Hardware, Fasteners

If any special rules or Regulations which need consideration Yes / No

If awarded what would be the projected start date

Trailing

Required Delivery time ... weeks

Misc.

Completed by

Comm.

Date

Perko Fig. 112 and 309 Series All-Round Lights



- Cast bronze.
- Medium screw base type electrical socket.
- 2 mile visibility.
- For use on power driven vessels under 20 meters in length.
- Uses #8 fasteners.

FIG. 112 ALL-ROUND LIGHT

- Overall height 8-3/4", base OD 3-1/8".
- Requires 15W frosted medium screw bulb.
- Bulb not included.

Order No.	Mfg. No. / Description	Price
527854	(0112 B00 PLB) White	\$322.98

FIG. 309 ALL-ROUND LIGHTS

- Base is tapped for 1/2" pipe.
- Overall height 6-1/2".
- Requires frosted medium screw bulb.
- Bulbs not included.

Order No.	Mfg. No. / Description	Price
527880	(0309 B00 PLB) White, Requires 15W Bulb	\$242.98
527892	(0309 R00 PLB) Red, Requires 25W Bulb	\$242.98
527905	(0309 G00 PLB) Green, Requires 25W Bulb	\$242.98

SPARE MEDIUM SCREW BASE SOCKET

Order No.	Mfg. No. / Description	Price
529620	(0226)	\$17.98

Perko Fig. 309 Series All-Round Lights



- Plain cast bronze.
- Complete with double contact electrical socket.
- For use on vessels 20 meters to 50 meters in length.
- 2 mile visibility.
- Base is tapped for 1/2" pipe.
- Overall height 6-1/2".
- Bulbs not included.

Order No.	Mfg. No. / Description	Price
524822	(0309 A00 PLB) White	\$261.98
524834	(0309 R00 PLB) Red	\$261.98

SPARE BULBS - 30 WATT

Order No.	Mfg. No. / Description	Price
528387	(0374 001 CLR) 12 volt	\$50.98
528399	(0374 002 CLR) 24 volt	\$50.98
528402	(0374 003 CLR) 32 volt	\$50.98
528414	(0374 004 CLR) 120 volt	\$59.98

Perko Fig. 108 Series All-Round Lights



- Black polymer with festoon type electrical socket.
- Base is tapped for 1/2" pipe or can be removed for surface mounting with #10 fasteners.
- For use on power driven vessels under 20 meters in length.
- 2 mile visibility.
- Overall height 6", base OD 3-1/8".
- For 12 or 32 volt systems.
- Bulbs not included.
- *Note: White light has grey tinted lens.

Order No.	Mfg. No. / Description	Price
527828	(0108 000 BLK) White*	\$109.98
527830	(0108 G00 BLK) Green	\$109.98
527842	(0108 R00 BLK) Red	\$109.98

SPARE BULBS - 2 PER PACK

Order No.	Mfg. No. / Description	Price
541638	(0070 DP1 CLR) 12 volt	\$13.98 R
541640	(0070 DP2 CLR) 32 volt	\$14.98 R

Perko Fig. 106 Series Spare Globes



- Spare globes for Perko Figs. 108, 112 and 309 All-Round Lights.

Order No.	Mfg. No. / Description	Price
529000	(0106 000 WHT) White	\$62.98 E
529012	(0106 000 GRN) Green	\$62.98 E
529024	(0106 000 YLW) Yellow	\$62.98 E
529036	(0106 000 RED) Red	\$62.98 E

Perko Fig. 170 Series Navigation Lights



- All black polymer with soft black vinyl mounting gasket.
- For use on sail or power driven vessels under 20 meters in length.
- Overall height 3-5/8", width 4-1/8". Overall projection 2-1/2".
- Uses #10 fasteners.
- 12 volt bulb included.

Order No.	Mfg. No. / Description	Visibility	Visibility Arc	Price
533270	(0170 BSD DP1) Green Side	2 Mile	112-1/2°	\$37.98 R
533271	(0170 BPO DP1) Red Side	2 Mile	112-1/2°	\$37.98 R
533269	(0170 BMO DP1) White Masthead	3 Mile	225°	\$37.98 R
533272	(0170 BSN DP1) White Stern	2 Mile	135°	\$37.98 R

SPARE BULBS - 12 VOLT (2 PER PACK)

• For: 533272 (170 BSN DP1).				
Order No.	Mfg. No. / Description	Price		
541530	(0069 DPO CLR)	\$16.98 R		
• For: 533270 (170 BSD DP1), 533271 (170 BPO DP1) & 533269 (170 BMO DP1).				
Order No.	Mfg. No. / Description	Price		
541638	(0070 DP1 CLR)	\$13.98 R		

- Fun & Flotation
- Anchor & Dock
- Safety
- Electronics
- Trolling Motors
- Lighting
- Electrical
- Topside Acc.
- Cockpit & Deck
- Instruments
- Steering, Controls
- Perform.
- Fuel System
- Engine & Parts
- Engine Care
- Propellers
- Seating & Pedestals
- Tops & Covers
- Pumps
- Cleaning & Care
- Paint & Paint Acc.
- Hardware, Fasteners
- Trailering
- Misc.
- Comm.

Perko Figs. 109, 110 and 111 Series Navigation Lights



527715



527727



527703



527690

- Black polymer.
- For use on power driven vessels under 20 meters in length.
- Overall height 5-1/4".
- Lens height 4-1/4".
- Uses #10 fasteners.
- For 12 or 32 volt bulbs. Bulbs not included.

Order No.	Mfg. No. / Description	Visibility	Visibility Arc	Price
527690	(0109 R00 BLK) Red Side	2 Mile	12-1/2°	\$120.98
527703	(0109 G00 BLK) Green Side	2 Mile	12-1/2°	\$120.98
527715	(0110 000 BLK) White Masthead	3 Mile	225°	\$120.98
527727	(0111 000 BLK) White Stern	2 Mile	135°	\$120.98
527739	(0111 M00 BLK) Yellow Towing	2 Mile	135°	\$120.98

SPARE BULBS (2 PER PACK)

Order No.	Mfg. No. / Description	Price
541638	(0070 DP1 CLR) 12 volt	\$13.98 R
541640	(0070 DP2 CLR) 32 volt	\$14.98 R

Fun & Flotation

Anchor & Dock

Safety

Electronics

Trolling Motors

Lighting

Electrical

Topside Acc.

Cockpit & Deck

Instruments

Steering, Controls

Perform.

Fuel System

Engine & Parts

Engine Care

Propellers

Seating & Pedestals

Tops & Covers

Pumps

Cleaning & Care

Paint & Paint Acc.

Hardware, Fasteners

Trailer

Misc.

Comm.

Perko Figs. 1127 - 1130 Series Navigation Lights



525963



525951



525937



525913



525901

- Black polymer.
- For use on vessels 20 meters to 50 meters in length.
- Complete with pre-wired double contact socket and 3' of 16/3-SO cable.
- Watertight access cap for rebulbing and cleaning.
- UL Standard 1104, 72 COLREGS and US inland rules.
- Overall height 7-1/2". Lens height 4-1/2".
- Uses 1/4" fasteners.
- Use Perko Fig. 374 bulbs. Bulbs not included.

*White lights have grey tinted lens.

Order No.	Mfg. No. / Description	Visibility	Visibility Arc	Price
525901	(1127 GA0 BLK) Green Side	2 Mile	112-1/2°	\$247.98
525913	(1127 RA0 BLK) Red Side	2 Mile	112-1/2°	\$247.98
525937	(1128 A00 BLK) White Masthead	5 Mile	225°	\$247.98
525951	(1129 A00 BLK) White Stern*	2 Mile	135°	\$247.98
525963	(1129 MA0 BLK) Yellow Towing	2 Mile	135°	\$247.98
525987	(1130 A00 BLK) White All-Round*	2 Mile	360°	\$247.98
525999	(1130 GA0 BLK) Green All-Round	2 Mile	360°	\$247.98
526105	(1130 RA0 BLK) Red All-Round	2 Mile	360°	\$247.98

SPARE LENS AND ACCESSORIES

Order No.	Mfg. No. / Description	Price
535419	(0249 000 RED) Spare Red Lens	\$147.98 F
535421	(0249 000 GRN) Spare Green Lens	\$147.98 F
535433	(0249 000 GRY) Spare Gray Lens	\$147.98 F
529466	(0134) Spare Double Contact Socket	\$38.98 F
529860	(1105 000 BLK) Spare Access Cap with Chain	\$49.98
529872	(1119) Spare O-Ring for Cap	\$8.98 F

Perko Fig. 200 Series Navigation Lights



535840



535646

SPARE BULBS - 12 VOLT

- For: 535646 (200 SNB DP1) and 535652 (200 SWB DP1).

Order No.	Mfg. No. / Description	Price
528503	(0375 12V 10W) 10 Watt	\$52.98

- For: 535640 (200 SDB DP1), 535641 (200 PBO DP1) & 535645 (200 MBO DP1).

Order No.	Mfg. No. / Description	Price
528515	(0375 12V 25W) 25 Watt	\$58.98

FIG. 222 PIPE MOUNTING BRACKET

- Black polymer.
- For use on all 200 Series Base Mount Lights in order to mount on 1/2" pipe.
- Screws and soft black mounting gasket for mounting bracket to light.
- Overall OD 3-5/16".

Order No.	Mfg. No. / Description	Price
535840	(0222 DPO BLK)	\$17.98 R

- Black polymer.
- For use on sail or power driven vessels under 20 meters in length.
- Base mount with #10 fasteners or use 535840 (222 DPO BLK) pipe mounting bracket.
- Overall height 4-7/8". Base OD 3-5/16". Lens height 2-3/4".
- Use Perko Fig. 375 12 volt bulb of proper wattage. 12 volt bulb included.

Order No.	Mfg. No. / Description	Visibility	Visibility Arc	Price
535640	(0200 SDB DP1) Green Side	2 Mile	112-1/2°	\$123.98 Q
535641	(0200 PBO DP1) Red Side	2 Mile	112-1/2°	\$123.98 Q
535645	(0200 MBO DP1) White Masthead	3 Mile	225°	\$123.98 Q
535646	(0200 SNB DP1) White Stern	2 Mile	135°	\$123.98 Q
535652	(0200 SWB DP1) White All-Round	2 Mile	360°	\$123.98 Q

Perko Fig. 1377 - 1380 Series L.E.D. Navigation Lights



Order No.	Mfg. No. / Description	Visibility	Visibility Arc	Price
526154	(1377 G00 BLK) Green Side	2 Mile	112-1/2°	\$1,027.98
526159	(1377 R00 BLK) Red Side	2 Mile	112-1/2°	\$1,027.98
526164	(1378 000 BLK) White Masthead	5 Mile	225°	\$1,197.98
526169	(1379 000 BLK) White Stern	2 Mile	135°	\$1,027.98
526174	(1379 M00 BLK) Yellow Towing	2 Mile	135°	\$1,027.98
526179	(1380 000 BLK) White All-Round	2 Mile	360°	\$1,027.98
526184	(1380 G00 BLK) Green All-Round	2 Mile	360°	\$1,027.98
526189	(1380 R00 BLK) Red All-Round	2 Mile	360°	\$1,027.98

- Black polymer.
- For use on vessels 20 meters to 50 meters in length.
- Pre-wired with 3' of 16/3-SO cable.
- Translucent color specific insert on top of light.
- Sealed cap.
- Overall height: 6". Lens height: 3-1/2".
- Uses 1/4" fasteners.
- LED: 120 VAC.

Perko Figs. 1369 - 1374 Series Single Lens Navigation Lights



- Lightweight but durable fiber-filled black polymer.
- For use on vessels over 20 meters in length.
- Pre-wired medium prefocus socket.
- Includes: (1) 3' length of 16/3-SO cable through watertight terminal tubes.
- Watertight access cap for rebulbing and cleaning.
- UL Standard 1104, 72 COLREGS and US inland rules.
- Overall height 9-1/4". Lens height 6-3/4".
- Uses 3/8" mounting bolt.
- Bulbs: 24, 120 and 220 volt (Not included).
- Use Perko Fig. 342 Medium Prefocus Bulbs.
- Rough service bulbs are available.

*White lights have grey tinted lens.

Order No.	Mfg. No. / Description	Visibility	Visibility Arc	Price
523438	(1372 GEO BLK) Green Side	3 Mile	112-1/2°	\$434.98 Q
523440	(1372 REO BLK) Red Side	3 Mile	112-1/2°	\$434.98 Q
523452	(1373 E00 BLK) White Masthead	6 Mile	225°	\$434.98 Q
523464	(1374 E00 BLK) White Stern*	3 Mile	135°	\$434.98 Q
523476	(1374 ME0 BLK) Yellow Towing	3 Mile	135°	\$434.98 Q
523488	(1369 E00 BLK) White All-Round*	3 Mile	360°	\$418.98 Q
523490	(1370 RE0 BLK) Red All-Round	3 Mile	360°	\$418.98 Q

IMPORTANT BULB DATA

• To comply with UL Standard A-1104 (A.B.Y.C.), these lights must be used with the following Perko bulbs: 24 volt use - **528289** (342 024 CLR) bulb, 120 volt use **528286** (342 004 CLR) bulb or **528298** (342 RS4 CLR) bulb when a "Rough Service" bulb is required and 220 volt use **528292** (342 220 CLR) bulb.

Perko Figs. 1364 - 1368 Series Double Lens Navigation Lights



- Lightweight but durable fiber-filled black polymer.
- For use on vessels over 20 meters in length.
- Pre-wired medium prefocus socket.
- Includes: (2) 3' lengths of 16/3-SO cable through watertight terminal tubes.
- Watertight access cap for rebulbing and cleaning.
- UL Standard 1104, 72 COLREGS and US inland rules.
- Overall height 17-1/4". Lens height 6-3/4".
- Uses 3/8" mounting bolt.
- Bulbs: 24, 120 and 220 volt (Not included).
- Use Perko Fig. 342 Medium Prefocus Bulbs.
- Rough service bulbs are available.

*White lights have grey tinted lens.

Order No.	Mfg. No. / Description	Visibility	Visibility Arc	Price
523351	(1364 GEO BLK) Green Side	3 Mile	112-1/2°	\$582.98 Q
523363	(1364 RE0 BLK) Red Side	3 Mile	112-1/2°	\$582.98 Q
523375	(1365 E00 BLK) White Masthead	6 Mile	225°	\$582.98 Q
523387	(1366 E00 BLK) White Stern*	3 Mile	135°	\$582.98 Q
523399	(1366 ME0 BLK) Yellow Towing	3 Mile	135°	\$582.98 Q
523402	(1367 E00 BLK) White All-Round*	3 Mile	360°	\$559.98 Q
523414	(1368 GEO BLK) Green All-Round	3 Mile	360°	\$559.98 Q
523426	(1368 RE0 BLK) Red All-Round	3 Mile	360°	\$559.98 Q

IMPORTANT BULB DATA

• To comply with UL Standard A-1104 (A.B.Y.C.), these lights must be used with the following Perko bulbs: 24 volt use - **528289** (342 024 CLR) bulb, 120 volt use **528286** (342 004 CLR) bulb or **528298** (342 RS4 CLR) bulb when a "Rough Service" bulb is required and 220 volt use **528292** (342 220 CLR) bulb.

- Fun & Flotation
- Anchor & Dock
- Safety
- Electronics
- Trolling Motors
- Lighting
- Electrical
- Topside Acc.
- Cockpit & Deck
- Instruments
- Steering, Controls
- Perform.
- Fuel System
- Engine & Parts
- Engine Care
- Propellers
- Seating & Pedestals
- Tops & Covers
- Pumps
- Cleaning & Care
- Paint & Paint Acc.
- Hardware, Fasteners
- Trailering
- Misc.

Perko Figs. 1169 - 1174 Series Single Lens Navigation Lights

- Heavy duty cast bronze.
- For use on vessels over 20 meters in length.
- Pre-wired medium prefocus socket.
- Includes: (1) 3' length of 16/3-SO cable through a watertight terminal tubes.
- Watertight access cap for rebulbing and cleaning.
- UL Standard 1104, 72 COLREGS and US inland rules.
- Overall height 9-1/4". Lens height 6-3/4".
- Uses 3/8" mounting bolt.
- Bulb: 120 volt only (Not included).
- Use Perko Fig. 342 Medium Prefocus Bulbs.
- Rough service bulbs are available.

*White lights have grey tinted lens.



Order No.	Mfg. No. / Description	Visibility	Visibility Arc	Price
523806	(1172 GEO PLB) Green Side	3 Mile	112-1/2°	\$821.98 Q
523818	(1172 REO PLB) Red Side	3 Mile	112-1/2°	\$821.98 Q
523832	(1173 E00 PLB) White Masthead	6 Mile	225°	\$821.98 Q
523856	(1174 E00 PLB) White Stern*	3 Mile	135°	\$821.98 Q
523868	(1174 ME0 PLB) Yellow Towing	3 Mile	135°	\$821.98 Q
523882	(1169 E00 PLB) White All-Round*	3 Mile	360°	\$789.98 Q
523919	(1170 RE0 PLB) Red All-Round	3 Mile	360°	\$789.98 Q

IMPORTANT BULB DATA

- To comply with UL Standard A-1104 (A.B.Y.C.), these lights must use a Perko Catalog No. - **528286** (342 004 CLR) bulb for 120 volt or **528298** (342 RS4 CLR) bulb when a "Rough Service" bulb is required.

Perko Figs. 1150, 1151 and 1152 Navigation Lights



- Sheet metal, preprimed galvanized steel.
- Medium prefocus socket.
- Watertight terminal tube for 16/3-SO cable.
- Watertight access cap for rebulbing and cleaning.
- UL Standard 1104, 72 COLREGS and US inland rules.
- Uses 1/4" fasteners.
- Bulb: 120 volt only (Not included).
- Use Perko Fig. 342 Medium Prefocus Bulbs.

FOR USE ON VESSELS 20 METERS TO 50 METERS IN LENGTH

- Overall height 11-1/2".
- Lens height 6-3/4".

Order No.	Mfg. No. / Description	Visibility	Visibility Arc	Price
524656	(1150 GE1 GAL) Green Side	2 Mile	112-1/2°	\$616.98 Q
524668	(1150 RE1 GAL) Red Side	2 Mile	112-1/2°	\$616.98 Q
524682	(1151 E01 GAL) White Masthead	5 Mile	225°	\$616.98 Q
524707	(1152 E01 GAL) White Stern	2 Mile	135°	\$616.98 Q
524719	(1152 ME1 GAL) Yellow Towing	2 Mile	135°	\$616.98 Q

FOR USE ON VESSELS OVER 20 METERS IN LENGTH

- Overall height 13-1/2".
- Lens height 7-1/2".

Order No.	Mfg. No. / Description	Visibility	Visibility Arc	Price
524353	(1150 GE2 GAL) Green Side	3 Mile	112-1/2°	\$779.98 Q
524366	(1150 RE2 GAL) Red Side	3 Mile	112-1/2°	\$779.98 Q

Perko Figs. 1164 - 1168 Series Double Lens Navigation Lights



- Heavy duty cast bronze.
 - For use on vessels over 20 meters in length.
 - Pre-wired medium prefocus socket in each compartment.
 - Includes: (2) 3' length of 16/3-SO cable through a watertight terminal tubes.
 - Watertight access cap for rebulbing and cleaning.
 - UL Standard 1104, 72 COLREGS and US inland rules.
 - Overall height 17-1/4". Lens height 6-3/4".
 - Uses 3/8" mounting bolt.
 - Bulb: 120 volt only (Not included). Use Perko Fig. 342 Medium Prefocus Bulbs. Rough service bulbs are available.
- *White lights have grey tinted lens.

Order No.	Mfg. No. / Description	Visibility	Visibility Arc	Price
523503	(1164 GEO PLB) Green Side	3 Mile	112-1/2°	\$1,259.98 Q
523515	(1164 REO PLB) Red Side	3 Mile	112-1/2°	\$1,259.98 Q
523541	(1165 E00 PLB) White Masthead	6 Mile	225°	\$1,259.98 Q
523565	(1166 E00 PLB) White Stern*	3 Mile	135°	\$1,259.98 Q
523577	(1166 ME0 PLB) Yellow Towing	3 Mile	135°	\$1,259.98 Q
523591	(1167 E00 PLB) White All-Round*	3 Mile	360°	\$1,240.98 Q
523628	(1168 GEO PLB) Green All-Round	3 Mile	360°	\$1,240.98 Q
523630	(1168 REO PLB) Red All-Round	3 Mile	360°	\$1,240.98 Q

IMPORTANT BULB DATA

- To comply with UL Standard A-1104 (A.B.Y.C.), these lights must use a Perko Catalog No. - **528286** (342 004 CLR) bulb for 120 volt or **528298** (342 RS4 CLR) bulb when a "Rough Service" bulb is required.

- Fun & Flotation
- Anchor & Dock
- Safety
- Electronics
- Trolling Motors
- Lighting
- Electrical
- Topside Acc.
- Cockpit & Deck
- Instruments
- Steering, Controls
- Perform.
- Fuel System
- Engine & Parts
- Engine Care
- Propellers
- Seating & Pedestals
- Tops & Covers
- Pumps
- Cleaning & Care
- Paint & Paint Acc.
- Hardware, Fasteners
- Trailer
- Misc.
- Comm.

Perko Fig. 1129 Panama Canal Blue Steering Light



- Black polymer.
- For use on vessels of any length.
- Pre-wired double contact socket with 3' of 16/3-SJO cable.
- Overall height 7-1/2". Lens height 4-1/4" .
- Visibility arc 135°.
- Bulb: 12, 24, 32 or 120 volt (Not included).

Order No.	Mfg. No. / Description	Price
525975	(1129 BA0 BLK)	\$409.98 I
529466	(0134) Spare Double Contact Socket	\$38.98 F
529860	(1105 000 BLK) Spare Access Cap with Chain	\$49.98 I
529872	(1119) Spare O-Ring for Cap	\$8.98 F

IMPORTANT BULB DATA

- To comply with Panama Canal Requirements this light must use a Perko Fig. 374 bulb.

Perko Spare 360° Lenses for All-Round Lights



- Fits 1150-1154 and 1169-1172 Series Navigation Lights.
- Overall height 6-3/4". Diameter opening: 5-1/8".

Order No.	Mfg. No. / Description	Price
528807	(0261 001 CLR) White	\$181.98 F
528818	(0261 001 GRN) Green	\$181.98 F
528820	(0261 001 YLW) Yellow	\$181.98 F
528832	(0261 001 RED) Red	\$181.98 F

Perko Spare Lens Retaining Clip with Bolt

- Fits 1164-1168 and 1169-1172 Series Navigation Lights.

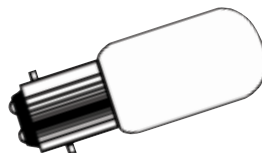
Order No.	Mfg. No. / Description	Price
529808	(1133) Spare Lens Retaining Clip with Bolt	\$27.98 F
529810	(1143) Spare Lens Gasket	\$13.98 F

Perko Access Cap, O-ring and Retainer

- Fits 1169-1172, 1164-1168, 1127-1130, 1150-1154, 1129 (Panama Canal Blue Steering Light) and 1111 (Flashing Yellow Light) Series Navigation Lights.

Order No.	Mfg. No. / Description	Price
529860	(1105 000 BLK) Spare Access Cap, O-ring and Retainer	\$49.98 I
529872	(1119) Spare O-ring for Cap	\$8.98 F

Perko Fig. 374 Double Contact Bayonet Bulbs



- Clear Type T-8. C-8.
- Filament, length 1-3/8".
- Sold each. Standard pack 50.

Order No.	Mfg. No. / Description	Price
528387	(0374 001 CLR) 12 volt 30 watt	\$50.98 I
528399	(0374 002 CLR) 24 volt 30 watt	\$50.98 I
528402	(0374 003 CLR) 32 volt 30 watt	\$50.98 I
528414	(0374 004 CLR) 120 volt 30 watt	\$59.98 I

Perko Fig. 1111 Special Purpose Flashing Yellow Light



- Sheet metal, preprimed galvanized steel.
- For use on vessels of any length.
- Medium pefocus socket.
- Watertight terminal tube for 16/3-SJO cable.
- Overall height 11-1/2". Lens height 6-3/4" .
- 2 mile visibility. Visibility arc 225°.
- Flashes per minute: 50 - 70.
- Bulb: 120 volt only (Not included).
- Designed to meet Federal Requirements for Flashing Yellow 180° - 225° light for barges, canal boats, etc., that are being pushed ahead or towed along side of a tug boat. Refer to U.S. Inland Navigation Rules for details.

Order No.	Mfg. No. / Description	Price
524771	(1111 ME1 GAL)	\$813.98 I
529909	(0133) Spare Flasher Unit	\$227.98 F

IMPORTANT BULB DATA

- To comply with Federal Requirements this light must use a Perko Catalog No. - **528286** (342 004 CLR) bulb for 120 volt or **528298** (342 RS4 CLR) bulb when a "Rough Service" bulb is required.

Perko Dual Medium Prefocus Socket Assembly



- Phenolic - 250 volts - 1,000 watts.
- Plug-in type - prewired with two medium pefocus socket.
- Overall height 3-7/8". Overall diameter 3-7/8".
- For use in double lens lights.
- Fits 1164-1168 Series Navigation Lights.

Order No.	Mfg. No. / Description	Price
529428	(0303)	\$268.98 F

Perko Medium Prefocus Socket



- Phenolic - 250 volts - 1,000 watts.
- Overall height 1-7/8". Overall diameter 1-1/2".
- Supplied with metal mounting cap tapped for 3/8" I.P.S.

Order No.	Mfg. No. / Description	Price
529404	(0347 A00)	\$70.98 F

Perko Fig. 342 Clear Medium Prefocus Bulbs



- Clear.
- Sold each. Standard pack 25.

Order No.	Mfg. No. / Description	Price
528250	(0342 001 CLR) 120 volt 15 watt	\$45.98 F
528262	(0342 002 CLR) 120 volt 25 watt	\$45.98 F
528274	(0342 003 CLR) 120 volt 40 watt	\$45.98 F
528286	(0342 004 CLR) 120 volt 60 watt	\$45.98 F
528289	(0342 024 CLR) 24 volt 55 watt	\$54.98 F
528292	(0342 220 CLR) 220 volt 65 watt	\$58.98 F

DESIGNED FOR ROUGH SERVICE

Order No.	Mfg. No. / Description	Price
528298	(0342 RS4 CLR) 120 volt 60 watt	\$61.98 F

- Fun & Flotation
- Anchor & Dock
- Safety
- Electronics
- Trolling Motors
- Lighting
- Electrical
- Topside Acc.
- Cockpit & Deck
- Instruments
- Steering, Controls
- Perform.
- Fuel System
- Engine & Parts
- Engine Care
- Propellers
- Seating & Pedestals
- Tops & Covers
- Pumps
- Cleaning & Care
- Paint & Paint Acc.
- Hardware, Fasteners
- Trailering
- Misc.
- Comm.

Hubbell Non-Metallic Vaportight Incandescent Fixture



- Ceiling mount.
- UV resistant, gray, glass filled thermoplastic polyester box, mounting adapters and globe guards.
- Excellent temperature operating range of -40° F (-40° C) to +150° C.
- Heat resistant glass globe withstands thermal shock.
- High strength protective globe guard.
- UL listed including UL 1571 and UL 595.
- Accepts up to 150 watt type A incandescent bulb.
- Note: Bulb not included.
- Includes: Fixture, mounting box, guard and heat resistant glass globe.

Order No.	Mfg. No. / Description	Price
398102	(NVX15GHGA) Ceiling Mount	\$172.98 G
398203	(NVBA) Wall Mount Bracket	\$44.98 G
398215	(NVGA) Replacement Guard	\$55.98 G

Pauluhn Lighting Wall Mount Incandescent Fixture



- Cast copper free aluminum housing and guard.
- Lamp holder: Medium base, high temperature PBT.
- Nickel plated copper screw shell.
- Compact fluorescent polycarbonate.
- Clear glass globe.
- Stainless steel hardware.
- Length 11".
- 6" globe.
- A-19, 100 watt lamp.
- UL Marine and USCG Approved.
- Note: Bulb not included.

Order No.	Mfg. No. / Description	Price
686381	(707A)	\$199.98 C

6" Plastic Globes for Deck Light



PRISM, FLAT TOP CYLINDER				
Order No.	Mfg. No. / Description			Price
253423	(518 AMBER) Amber	5.1"		\$21.98 F
SMOOTH, ROUND TOP CYLINDER				
Order No.	Mfg. No. / Description			Price
686278	(507 3/4 THR) Clear	5.1"		\$20.98 C
686280	(507 3/4 THRE) Amber	5.1"		\$21.98 C

Phoenix Non-Metallic Vaporproof Incandescent Fixtures



- Non-metallic, thermoplastic construction.
- Silicone gaskets provide vaportight seal.
- External screws and inserts made out of corrosion resistant brass.
- Clear glass globe.
- Housing and guard standard gray finish.
- UL 1598, 1598A, 844 Listed.
- USCG Accepted.
- Accepts incandescent lamps up to 150 watts.
- Note: Bulb not included.
- 120 volt.

Order No.	Mfg. No. / Description	Price
603800	(VPCINC120GLC) Ceiling Mount	\$158.98 LQ
603808	(VPWINC120GLC) Wall Mount	\$240.98 I

Pauluhn 6" Glass Globes



Order No.	Mfg. No. / Description	Price
686266	(COAC60) Clear	\$13.98 C
686331	(COAC63) Green	\$50.98 C
686343	(COAC65) Amber	\$38.98 C

Pauluhn Medium Screw Replacement Bakelite Sockets



- Four hole model fits current Pauluhn lights.
 - Three hole model fits old Pauluhn and some old Perko lights.
- | Order No. | Mfg. No. / Description | Price |
|-----------|------------------------|-----------|
| 686367 | (INX4000) Four Hole | \$31.98 C |
| 537918 | (INX4001) Three Hole | \$31.98 C |

Pauluhn Replacement 6" Guards



Order No.	Mfg. No. / Description	Price
686230	(INX1036A) Aluminum	\$53.98 C
686242	(INX1036B) Brass	\$74.98 C

- Fun & Flotation
- Anchor & Dock
- Safety
- Electronics
- Trolling Motors
- Lighting
- Electrical
- Topside Acc.
- Cockpit & Deck
- Instruments
- Steering, Controls
- Perform.
- Fuel System
- Engine & Parts
- Engine Care
- Propellers
- Seating & Pedestals
- Tops & Covers
- Pumps
- Cleaning & Care
- Paint & Paint Acc.
- Hardware, Fasteners
- Trailer
- Misc.
- Comm.

McDermott Marker Lights



- The McDermott BZLED Series Marker Lights are typically used as obstruction, loading, bridge and marker lights.
- They are UL listed 8N10, Class 1.
- Division 2.
- Group D for use in hazardous locations.
- Typical lamp life is 5 years.
- Uses one 6 volt spring type battery.
- Minimum visibility 1 mile.



Order No.	Mfg. No. / Description	Price
453504	(BZLED6L6V04) Blue Light No Magnetic	\$155.98 B
453516	(BZLED6L6V04) Blue Light Magnetic	\$177.98 B
453528	(BZLED6L6V04) Red Light Magnetic	\$177.98 B
453530	(BZLED6L6V04) White Light Magnetic	\$177.98 B
453592	(BZBRACKETBOL) Bolt for Bracket	\$2.98 LQ

McDermott L.E.D. Barge Navigation Lights



- Magnetic mount.
- High impact case. Unbreakable lens.
- Built-in carry handle.
- Operates 10 nights on rechargeable battery.
- Certified by USCG, meets all USCG Regulations for 3 mile lights.
- Light kit includes: (1) Port, (1) starboard, (1) amber and a multicharger.

Order No.	Mfg. No. / Description	Price
452487	(BGLEDCASEKIT) Light Kit	\$2,221.98 C
452514	(BGLEDCSEPORT) Port	\$609.98 C
452526	(BGLEDCSESTAR) Starboard	\$609.98 C
452538	(BGLEDCSESTRN) Stern	\$654.98 C
452552	(BGLEDCASEFL) Amber	\$587.98 C
454126	(BGLT-CHG-3) Multicharger	\$411.98 C
454455	(BGLENS CLEAR) Clear Lens	\$38.98 LQ
452650	(BGLEDCASE-ST) Starboard, Includes Fog Feature	\$655.98 C
452655	(BGLEDCASE-PO) Port, Includes Fog Feature	\$655.98 C
452660	(BGLEDCASE-FL) Amber, Includes Fog Feature	\$755.98 C

McDermott L.E.D. Solar Barge Navigation Lights



- Self-contained solar powered.
- No more recharging navigation lights.
- Magnetic mount.
- High impact polycarbonate case.
- Unbreakable lens.
- Built-in carry handle.
- Lamp life: 4 years (steady).
- Meets all USCG Regulations for 3 mile lights.
- Kit includes: (1) Port, (1) starboard and (1) amber.

Order No.	Mfg. No. / Description	Price
452615	(BGLEDCASESOL) Light Kit	\$2,266.98 C
452627	(BGLEDCASESOL) Port	\$722.98 C
452639	(BGLEDCASESOL) Starboard	\$722.98 C
452641	(BGLEDCASESOL) Stern	\$722.98 C
452665	(BGLEDCASESOL) Amber	\$722.98 C

McDermott "Tophat" Series Solar Marker Lights



- Self-contained solar powered marker lights.
- Lamp assembly guaranteed for 3 years.
- Housing: Polycarbonate.
- Lens: Polycarbonate.
- Batteries: Rechargeable.
- Range: 1-1/2 miles.
- Colors available: Red, Amber, Green, Clear and Blue.
- Flashrates available: For Red, Amber, Green and Clear - 10, 15, 24 and 30 FPM. For Red and Amber - 60 FPM. (Depending on your location.)

PLATFORM MOUNT (TOPHAT-PLAT)

- This is a stand alone for flat mounting on docks, etc.

MOUNTS TO ANY FLAT SURFACE (TOPHAT-FLAT)

- Flat mount on restricted space such as on a float buoy.

FITS DIRECTORY INTO 4" BUOY PIPES (TOPHAT-BUNY)

- For mounting directly into a buoy 4" schedule 40 pipe.

McDermott L.E.D. Barge Navigation Lights



- Operates 6 nights on standard dry batteries.
- Operates 2 weeks on Alkaline spring batteries.
- Built-in screen. Polycarbonate case & handle.
- Shuts off in daylight.
- Uses rechargeable or dry batteries.
- Lamp life: 3 - 6 years.
- All lights certified by USCG Approved laboratory.
- Meets all USCG Regulations for Navigation Lights.
- Kit includes: (1) Port, (1) Starboard, (1) Amber and (3) separate chargers.

Order No.	Mfg. No. / Description	Price
452716	(BGLED888KIT) Barge Light Kit with Peep Light Lead	\$1,610.98 C
452730	(BGLED888PORT) Port	\$425.98 C
452742	(BGLED888STAR) Starboard	\$425.98 C
452754	(BGLED888STRN) Stern	\$458.98 C
452778	(BGLED888FL) Amber	\$481.98 C

NAVIGATION LIGHTS WITH NO BATTERY

Order No.	Mfg. No. / Description	Price
452805	(BGLED888KIT) Peep Barge Light Kit No Battery	\$1,198.98 C
452829	(BGLED888PORT) Port No Battery	\$366.98 C
452831	(BGLED888STAR) Starboard No Battery	\$366.98 C
452843	(BGLED888STRN) Stern No Battery	\$366.98 C
452867	(BGLED888FL) Amber No Battery	\$366.98 C

NAVIGATION LIGHTS, EXPLOSION PROOF

Order No.	Mfg. No. / Description	Price
452893	(BG888KITFL) Barge Light Kit Explosion Proof	\$1,300.98 C
452906	(BGLED888PORT) Port Explosion Proof	\$433.98 C
452918	(BGLED888STAR) Starboard Explosion Proof	\$433.98 C
452956	(BGLED888FL) Amber Explosion Proof	\$433.98 C

ACCESSORIES FOR NAVIGATION LIGHTS

Order No.	Mfg. No. / Description	Price
453782	(BP650L) Repl. Rechargeable 6 Volt Battery	\$37.98 C
453845	(BGACHG121888) Separate Charger	\$127.98 C
453870	(BGLECONPLATE) Battery Contact Plate	\$32.98 C

- Fun & Flotation
- Anchor & Dock
- Safety
- Electronics
- Trolling Motors
- Lighting
- Electrical
- Topside Acc.
- Cockpit & Deck
- Instruments
- Steering, Controls
- Perform.
- Fuel System
- Engine & Parts
- Engine Care
- Propellers
- Seating & Pedestals
- Tops & Covers
- Pumps
- Cleaning & Care
- Paint & Paint Acc.
- Hardware, Fasteners
- Trailering
- Misc.

McDermott Upgrade Heads Only



- Lens, LEDs and O-rings.
- Low voltage battery indicator.
- Virtually unbreakable Lexan lens.
- Built-in screens.
- Range: 3 miles.
- Lamp life: 3 - 5 years.

Order No.	Mfg. No. / Description	Price
453100	(BGLED-HEAD) Port	\$254.98 C
453112	(BGLED-HEAD) Starboard	\$254.98 C
453124	(BGLED-HEAD) Stern	\$298.98 LQ
453136	(BGLED-HEAD) Amber	\$254.98 C

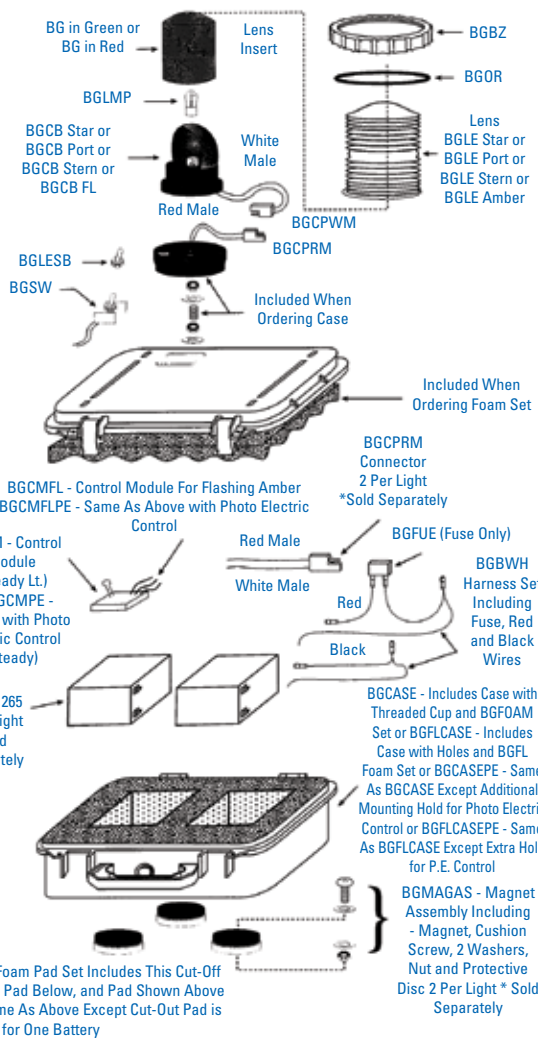
McDermott Accessories



Order No.	Mfg. No. / Description	Price
452471	(BGLEDCASEKIT)	\$2,167.98 C
452791	(BGLEDCASEKIT)	\$1,100.98 C
453262	(TOPHATMAGRS)	\$254.98 B
453471	(BZLED6L6V04)	\$142.98 B
453473	(BZLED6L6V04)	\$142.98 B
454912	(TBFLD50WLED)	\$233.98 C
454919	(TBFLD80WLED)	\$324.98 C
454924	(TBFLD100WLED)	\$442.98 C
454936	(TBFLD200WLED)	\$1,001.98 C
454152	(BGBP1265) Rechargeable Battery for Navigation Lights	\$49.98 C

McDermott Replacement Parts

Order No.	Mfg. No. / Description	Price
454380	(BGCBFL) Complete Lamp Assembly, Lamp and Socket	\$54.98 LQ
454314	(BGCH3-5-S) Charger Module for Charger Station	\$58.98 B
453605	(BGCMPPEPCONT) Control Module for Flashing with Peep Light Extension	\$98.98 B
453617	(BGCMP-PE CONT) Control Module Red/Green/Clear with Photoelectric Control	\$76.98 B
453629	(BGDMFLPECONT) Control Module for Flashing Amber Only with Photoelectric Control	\$88.98 B
454405	(BGINGREEN) Green Insert Filter for Starboard Lights	\$21.98 LQ
454429	(BGCPSTAR) Complete Lamp Assembly for Starboard Lights	\$65.98 LQ
454431	(BGCBPORT) Complete Lamp Assembly for Port Lights	\$65.98 LQ
454458	(BGLENS BASE) Black Base for Mounting Lens on Barge Light	\$23.98 LQ
454491	(BGLESTERN) Clear Lens with Internal Screen for Stern Light	\$53.98 LQ
454530	(BGPE) Metal Cased Photocell Element	\$21.98 B
454607	(BGMAGAS) Magnet Assembly	\$24.98 B
454542	(BGSW) Toggle Switch for Barge Lights	\$10.98 B
454556	(BGCASE) Case Only	\$123.98 LQ
454568	(BGCANNON101N) Cannon Plug with 10" Cable	\$26.98 B
454619	(BGCPRM) 6" Wire with Polarized Plug	\$7.98 B
454631	(BGCPWM) 6" Wire with Rubber Polarized Plug	\$7.98 B
453767	(BGBP12180) Battery for L.E.D. Solas Lights	\$110.98 B
452499	(BGLEDCASEKIT) FLPEEP Barge Light	\$2,340.98 C
219460	(182035) Replacement 12 volt Bulb, .58 amps	\$0.84 I



Barge Lights



Order No.	Mfg. No. / Description	Price
273209	(98-16200) Amber	\$54.98 B
273211	(98-16603) Clear	\$54.98 B
273223	(98-16604) Red	\$54.98 B
273235	(98-16605) Green	\$54.98 B

L.E.D. Barge Lights with Magnets



Order No.	Mfg. No. / Description	Price
273247	(98-23420LM) Amber	\$730.98 B
273259	(98-23804LM) Red	\$489.98 B

JDS Safety Lights Solar Barge Navigation Lights

- Autonomy -12 nights without sun, Solar Panel Monocrystalline: 4v 0.5w.
- 125,000 hour life span.
- Meets IALA, and U.S.C.G. COLREGS.
- Material: Poly Carbonate, Battery: Aluminum Iron Phosphate Battery AA300MAH, Luminous Mode: Constant Type/Varying Type, Light Source: Super luminosity LED, LED Quality: 6 LED in the middle, 1 LED super bright, Waterproof Grade: IP>67, Visibility: 3 Kilometers.



Order No.	Mfg. No. / Description	Product Size	Price
454811	(381520) Constant White	115, 139 mm	\$257.98 LQ
454815	(38152B) Blinking White	115, 139 mm	\$257.98 LQ
454819	(381521) Constant Yellow	115, 139 mm	\$257.98 LQ

- Fun & Flotation
- Anchor & Dock
- Safety
- Electronics
- Trolling Motors
- Lighting
- Electrical
- Topside Acc.
- Cockpit & Deck
- Instruments
- Steering, Controls
- Perform.
- Fuel System
- Engine & Parts
- Engine Care
- Propellers
- Seating & Pedestals
- Tops & Covers
- Pumps
- Cleaning & Care
- Paint & Paint Acc.
- Hardware, Fasteners
- Trailer
- Misc.
- Comm.

McDermott Masthead Lights



- Single head.
- For use on vessels from 20 to 50 meters in length.
- Lamp life up to 30,000 hours.
- Vibration proof.
- Weight 5 lbs.
- Height 10".



Order No.	Mfg. No. / Description	Price
454699	(TB5MASTGL351) Masthead Light 120 volt	\$510.98 C
454698	(TB5LEDMAST12) LED Masthead Light 120 volt	\$522.98 C

McDermott L.E.D. Certified Tugboat All-Around 360° Lights



- For use on vessels from 20 to 50 meters in length.
- Certified to 72 COLREGS for inland/international.
- Meets UL1604 requirements for a range of 2 miles.
- Visibility 2 miles.
- 1 year warranty. 2 year guarantee.
- Tired of constantly replacing lamps!
- Eliminate labor and cost of old type incandescent lamps.
- 120 volt



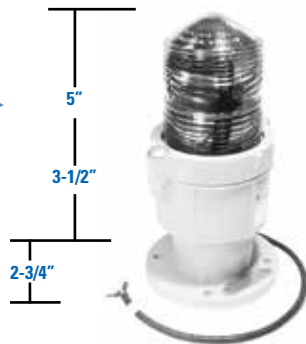
454695



454697

Order No.	Mfg. No. / Description	Price
454695	(TB278RED120V) Red Lens	\$327.98 C
454697	(TB278WHT120V) White Lens	\$327.98 C

McDermott Platform Light



- For use on barges where the 12V DC is provided from an external source, such as a battery pack.
- This allows for extended periods between recharging.
- These lights are also used to mark obstruction markers, navigation aids and dock lights.
- The high-impact, fade resistant, polycarbonate lens and watertight locking O-ring collar are designed to withstand years of marine service.
- Four 3/8" holes in the base allow for easy mounting to any flat surface.
- Meets all USCG Regulations.

Order No.	Mfg. No. / Description	Price
454125	(BGLT-89-STER) Stern White Light	\$254.98 LQ

McDermott L.E.D. Certified Tugboat Navigation Lights



- For use on vessels from 20 to 50 meters in length.
- Certified to 72 COLREGS for inland/international.
- Meets UL1604 requirements for a range of 2 miles.
- Visibility 2 miles.
- 1 year warranty. 2 year guarantee.
- Tired of constantly replacing lamps!
- Eliminate Labor and Cost of Old Type Incandescent Lamps.
- 120 volt.

Order No.	Mfg. No. / Description	Price
454669	(TB2DSTAR120V) Starboard	\$339.98 C
454671	(TB2DPORT120V) Port	\$339.98 C
454683	(TB2STERN120V) Stern	\$339.98 C
454687	(TB2266TW120V) Amber	\$339.98 C

McDermott DriftLight



- A uniquely designed all LED light for marking fish gillnets or lobster traps.
- Also used as a 1 mile anchor light.
- Waterproof, polycarbonate black case.
- Flash - 30 flashes per minute, range - 1 mile, steady mode - anchor light.
- Built in day off switch.
- Snap on mount bracket.
- Uses (4) AA batteries.
- Will operate every night for 4 weeks on (4) AA batteries.
- Includes: Snap out pole adaptor.

Order No.	Mfg. No. / Description	Price
454649	(DRIFTLITEP-W) White	\$91.98 F

DRIFTLIGHT KIT

- This kit includes: 454649 DriftLight - white and 4' pole with float collar.

Order No.	Mfg. No. / Description	Price
454653	(DRIFTLITEPOL) White	\$154.98 LQ

- Fun & Flotation
- Anchor & Dock
- Safety
- Electronics
- Trolling Motors
- Lighting
- Electrical
- Topside Acc.
- Cockpit & Deck
- Instruments
- Steering, Controls
- Perform.
- Fuel System
- Engine & Parts
- Engine Care
- Propellers
- Seating & Pedestals
- Tops & Covers
- Pumps
- Cleaning & Care
- Paint & Paint Acc.
- Hardware, Fasteners
- Trailering
- Misc.

- Fun & Flotation
- Anchor & Dock
- Safety
- Electronics
- Trolling Motors
- Lighting
- Electrical
- Topside Acc.
- Cockpit & Deck
- Instruments
- Steering, Controls
- Perform.
- Fuel System
- Engine & Parts
- Engine Care
- Propellers
- Seating & Pedestals
- Tops & Covers
- Pumps
- Cleaning & Care
- Paint & Paint Acc.
- Hardware, Fasteners
- Trailer
- Misc.

Julian A. McDermott Anchor Lights



453201

- Range: 1 nautical miles
- Mount: Magnetic, Stand-alone
- Light Source: High-powered LEDs
- Material: High-Impact polycarbonate
- Battery Life: 3 months, 6 months available
- Weight: 4 lbs.

Order No.	Mfg. No. / Description	Price
453201	(ANCHOR-RRDLX) Yellow	\$99.98 C
453213	(ANCHOR-RRDLX) Red	\$121.98 C

McDermott L.E.D. Spotlight



- LED Spotlights provide durability with a low amperage draw that maintains the lifespan of your alternator.
- Avoid damaging your charging system by replacing your high power consumption halogen and sodium lamps with our green, low energy consumption LED lights.

Order No.	Mfg. No. / Description	Price
454939	(TBSPOT-LED-1)	\$616.98 C

McDermott Peep Lights



- The Peep Light is a small, inexpensive, cylindrical blue light that attaches to the front mast of a barge using a velcro strap.
- The unit draws its power from a standard marine battery.
- 25' Lead.

Order No.	Mfg. No. / Description	Price
453302	(PEEPLIGHT)	\$89.98 C
453306	(PEEPSOLAR4X4) Solar Peep Light	\$321.98 C
453314	(PEEPLIGHTLED) Peep Light for L.E.D. Barge Light	\$137.98 C

McDermott Anchor Lights



- Expendable white anchor light designed for use on barges.
- Unbreakable screwon lens for easy bulb replacement.
- Unit straps on top of any 6 volt spring terminal battery (NEDA-908).
- Runs all night on one battery and can be reused or left behind during fleeting operations.
- Compact size, several will fit in a coat pocket.
- 1 mile visibility.
- Meets all USCG Regulations.

Order No.	Mfg. No. / Description	Price
453162	(BGANCLT CLR) Clear Lens	\$29.98 C
453174	(BGANCLT RED) Red Lens	\$37.98 C

McDermott L.E.D. Floodlight



- Commercial LED Floodlights give you light that is high-powered, long-lasting, and vibration resistant.
- Powder-coated housings protect components from harsh marine conditions in industrial applications.
- Change to McDermott Commercial LED floodlights and stop changing light bulbs.

Order No.	Mfg. No. / Description	Price
454915	(TBFLD50W12LD)	\$266.98 C

Perko 800 Series Solar-Ray® Searchlights

- Heavy gauge brass and cast bronze.
- White Perko • Kote finish.
- 12, 24, 32 or 120 volts.
- All models feature: Halo deflectors, parabolic glass mirror reflectors for maximum light output and ventilation covers for quick dissipation of heat to help prolong bulb life.
- Hinged front doors have quick release stainless steel latches.
- Weatherproof construction. Interior finished in flat black.

- Lower vent cover on 12" and 14" sizes.
- Slide-lock focusing device behind lower vent.
- Heavy duty yoke mounting.
- Standard pedestal base diameter: 7".
- 10" lights are standard with 2-pin prefocus socket.
- 12" and 14" lights are standard with medium prefocus socket.
- Bulbs are not included and must be ordered separately.



Perko Fig. 885 Wheel or Lever/Gear Control Solar-Ray® Searchlights



- Wheel Control Assemblies.
 - Turn upper wheel for horizontal position.
 - Turn lower wheel for vertical position.
 - Distance between wheels: 2".
 - Maximum ceiling thickness: 3".
- Lever/Gear Control Assemblies.
 - Aim handle for horizontal position.
 - Twist handle for vertical position.
 - Maximum ceiling thickness: 3-1/2".
- Order head and wheel or lever/gear control assemblies separately.

Order No.	Mfg. No. / Description	Price
526876	(0885 OP1 WHT) Standard Head Assembly 10"	\$1,189.98 F
526888	(0885 OP2 WHT) Standard Head Assembly 12"	\$1,570.98 F
526890	(0885 OP3 WHT) Standard Head Assembly 14"	\$2,152.98 F
527208	(0852 000) Wheel Control Assembly 7-1/2" L	\$389.98 F
527211	(0852 0A0) Wheel Control Assembly 14-1/2" L	\$449.98 F
527223	(0852 0B0) Wheel Control Assembly 21-1/2" L	\$503.98 F
527234	(0852 0C0) Wheel Control Assembly 28-1/2" L	\$570.98 F
527247	(0969 0C0) Lever/Gear Assembly 29-1/2" L	\$1,273.98 F

Perko Spare Parts for 800 Series Solar-Ray® Searchlights



Order No.	Mfg. No. / Description	Price
543202	(0890001) Spare Reflector for 10" Searchlights	\$817.98 D
543214	(0890002) Spare Reflector for 12" Searchlights	\$868.98 D
543226	(0890003) Spare Reflector for 14" Searchlights	\$1,906.98 D
530178	(0910) Spare Retaining Clips	\$58.98 F

See next page for spare sockets and bulbs for Perko 800 Series Solar-Ray® Searchlights

Perko Fig. 884 Lever Control Solar-Ray® Searchlights



- Aim handle for horizontal position.
- Move handle up and down for vertical position.
- Maximum ceiling thickness: 4-1/2".
- Order head and lever control assemblies separately.

Order No.	Mfg. No. / Description	Price
526838	(0884 OP1 WHT) Standard Head Assembly 10"	\$1,248.98 F
526840	(0884 OP2 WHT) Standard Head Assembly 12"	\$1,626.98 F
526852	(0884 OP3 WHT) Standard Head Assembly 14"	\$2,156.98 F
527108	(0851 000) Lever Control Assembly 8-1/2" L	\$327.98 F
527119	(0851 0A0) Lever Control Assembly 15-1/2" L	\$389.98 F
527121	(0851 0B0) Lever Control Assembly 22-1/2" L	\$449.98 F
527132	(0851 0C0) Lever Control Assembly 29-1/2" L	\$503.98 F

SPARE PARTS FOR FIG. 851 LEVER CONTROL ASSEMBLY

Order No.	Mfg. No. / Description	Price
530015	(0851SPR021) Ceiling Lock	\$111.98 F
530027	(0851SPR022) Lock Knob	\$29.98 F
530053	(0851SPR025) Upper Bushing	\$25.98 F
530077	(0851SPR027) O-Ring Seal	\$19.98 F
530089	(0851SPR028) Lower Bushing	\$25.98 F
530091	(0851SPR029) Handle Shaft	\$33.98 F
530104	(0314SPR040) Handle	\$33.98 F
530116	(0851SPR031) Fulcrum Collar	\$32.98 F
530128	(0851SPR032) Fulcrum Bar	\$28.98 F
530142	(0884SPR055) Fork Seal Bushing	\$25.98 F
530154	(0884SPR056) Base Seal	\$30.98 F

Perko Fig. 887 Distant Electric Control Solar-Ray® Searchlights



- All aluminum with White Perko • Kote finish.
- For 12, 24 and 120 volt.
- Searchlight head assembly comes with Distant Electric Control Base.
- Remote electric.
- Joystick type controller with variable speed control for both horizontal and vertical positioning.
- Nominal drum diameter: 14". Length drum: 17".

CALL FOR PRICES AND AVAILABILITY

- Fun & Flotation
- Anchor & Dock
- Safety
- Electronics
- Trolling Motors
- Lighting
- Electrical
- Topside Acc.
- Cockpit & Deck
- Instruments
- Steering, Controls
- Perform.
- Fuel System
- Engine & Parts
- Engine Care
- Propellers
- Seating & Pedestals
- Tops & Covers
- Pumps
- Cleaning & Care
- Paint & Paint Acc.
- Hardware, Fasteners
- Trailering
- Misc.



SPECIAL HANDLING MAY APPLY

Bulb and Socket Ordering Information for Perko 800 Series Solar-Ray® Searchlights

- Bulbs are not included in lights and must be ordered separately.
- For best results, the bulb and reflector must be perfectly compatible; therefore be sure to specify the stock number of the bulb desired.
- Peak candlepower is exceedingly sensitive to many factors, (i.e. a light source out of focus by 1/32 inch, under-voltage of only 4% or differences between bulb manufactures) which can cause reduction of range of up to 20%.

Incandescent Bulb Recommendations

DMI #	MFG #	Voltage	Wattage	Socket Type	Socket Code Letter	For Searchlight Size	Rated* Life Hours	Mfg. Bulb Code
528806	806	32	500	Medium Screw	B	10", 12", 14"	50	DLT
219887	807	120	500	Medium Prefocus	E	10", 12", 14", 19"	25	CZX/DAB
	809	120	750	Medium Prefocus	E	12", 14", 19"	25	DPJ
	837	120	750	Medium Prefocus	E	12", 14", 19"	200	DDY
	810	120	1,000	Medium Prefocus	E	12", 14", 19"	25	DRS
	811	120	1,000	Mogul Screw	D	12", 14"	50	DRW

"Quartz" Tungsten Halogen Bulb Recommendations

DMI #	MFG #	Voltage	Wattage	Socket Type	Socket Code Letter	For Searchlight Size	Rated* Life Hours	Mfg. Bulb Code
220070	816	12	100	2-Pin Prefocus	F	10", 12", 14"	50	FDT
	836	24	150	2-Pin Prefocus	G	10", 12", 14"	50	DZE/FDS
219825	844	120	500	Medium Prefocus	E	10", 12", 14", 19"	500	BTL
220020	820	120	600	2-Pin Prefocus	I	10", 12", 14"	75	DYS
219837	845	120	750	Medium Prefocus	E	12", 14", 19"	200	BTP
219851	839	120	900	2-Pin Prefocus	K	12", 14"	75	BVA
219849	846	120	1,000	Medium Prefocus	E	12", 14", 19"	200	BTR
	860	230	1,000	Medium Prefocus	E	12", 14", 19"	950	FKD

• Electric bulbs are not returnable unless the fault is ours.

*Note: These are the "Rated Average Laboratory Life in Hours" of the Bulb Manufacturer. No guarantee to the time indicated.

High Pressure Xenon Short Arc Lamp

- Power input: Rated 500W.
- Supply voltage: 50 volts.
- Operating current: 20 amp.
- Rated volatge: 26 volts.
- Lumunous flux: 13,100 lm.

Order No.	Mfg. No. / Description	Price
696314	(XW500)	\$598.98 E

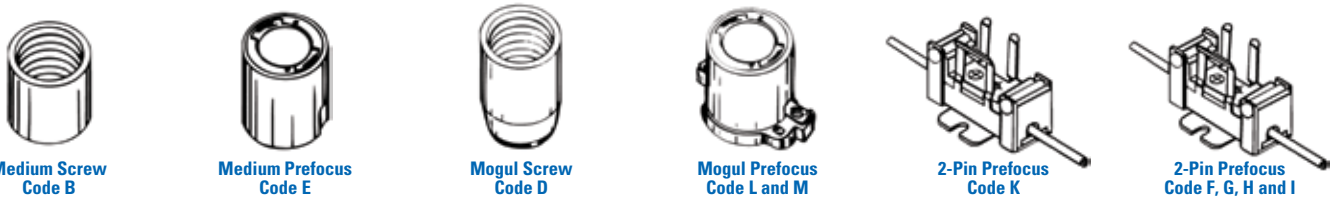
High Pressure Xenon Short Arc Lamp

- Power input: Rated 1,000W.
- Supply voltage: 65 volts.
- Operating current: 50 amp.
- Rated volatge: 20 volts.
- Lumunous flux: 32,000 lm.

Order No.	Mfg. No. / Description	Price
696316	(XW1000/M)	\$598.98 E

Electric Socket and Support Stand Assemblies

- Perko Solar-Ray Searchlights include a socket and support stand based on the bulb or socket information given when ordering.
- The following chart makes it possible for distributors or dealers to order and stock different styles of these assemblies separately for field conversion, thereby covering a large variety of voltage and candlepower requirements with a minimum of inventory. (Donovan numbers are bold).



Socket Type	Socket Code	For 10" Searchlights	Height Stand	For 12" Searchlights	Height Stand	For 14" Searchlights	Height Stand
Medium Screw	B	872 001	1-1/4"	872 002	2-1/4"	872 003	3-1/4"
Medium Prefocus	E	530332 (873 001)	1-5/16"	530344 (873 002)	1-15/16"	530356 (873 003)	2-15/16"
Mogul Screw	D	-	-	874 002	7/16"	874 003	1-1/4"
2-Pin Prefocus (12 volt)	F	875 001	3-1/2"	875 002	4-1/2"	875 003	5-1/2"
2-Pin Prefocus (24 volt)	G	876 001	3-1/4"	876 002	4-1/4"	876 003	5-1/4"
2-Pin Prefocus (32 volt)	H	878 001	3-1/4"	878 002	4-1/4"	878 003	5-1/4"
2-Pin Prefocus (600 watt)	I	530421 (879 001)	3-1/8"	879 002	4-1/8"	879 003	5-1/8"
2-Pin Prefocus (900 watt)	K	-	-	880 002	3-13/16"	880 003	4-13/16"

Order No.	Mfg. No. / Description	Price	Order No.	Mfg. No. / Description	Price
530458	(0894) Medium Screw Socket	Code B \$25.98 F	530332	(0873 001) For 10" Searchlights	\$199.98 F
530469	(0895) Medium Prefocus Socket	Code E \$191.98 F	530344	(0873 002) For 12" Searchlights	\$199.98 F
530471	(0897) Mogul Screw Socket	Code D \$44.98 F	530356	(0873 003) For 14" Searchlights	\$199.98 F
530483	(0899) 2-Pin Prefocus Socket	Codes F, G, H and I \$46.98 F	530421	(0879 001) 2-Pin Prefocus for 10" Searchlights	\$162.98 F

Fun & Flotation

Anchor & Dock

Safety

Electronics

Trolling Motors

Lighting

Electrical

Topside Acc.

Cockpit & Deck

Instruments

Steering, Controls

Perform.

Fuel System

Engine & Parts

Engine Care

Propellers

Seating & Pedestals

Tops & Covers

Pumps

Cleaning & Care

Paint & Paint Acc.

Hardware, Fasteners

Trailerling

Misc.

Comm.

Perko XR Series 15" Xenon Searchlights



- Designed and manufactured to meet the demanding needs of commercial marine applications.
- The short arc Xenon filled lamps produce an extremely bright and very white light which can be focused in the pilothouse into a narrow long range beam.
- High quality Timkin bearings provide for smooth 380° rotation.
- The XR Series model 9304 searchlight can be operated continuously at 500 watts for a maximum brightness of 35,000,000 candlepower and over 3 mile (IES Handbook) range.
- An iridium coated precision reflector provides for maximum light output and sharp focus.
- The remote control panel controls lamp ignition (start-up) and focus from the pilot house.
- Superior cooling is provided by a heavy duty cooling fan which blows air across the lamp inside the sealed housing.
- Heavy duty marine latches.
- Sealed waterproof construction.
- Heavy rolled marine aluminum housing.
- Safety interlock switch.
- Heavy duty rack and pinion assembly.
- Cast marine aluminum yoke and base.
- Quality ball bearings.
- Nominal drum diameter: 13-3/4".
- 120 VAC.
- NOTE: Lamps are included with complete Searchlights.



Order No.	Mfg. No. / Description	Price
544045	(9304L01WH5) Lever/Gear Control	\$17,967.98 F
544050	(9304E01WH5) Distant Electric Control Base	\$24,255.98 F

- Fun & Flotation
- Anchor & Dock
- Safety
- Electronics
- Trolling Motors
- Lighting
- Electrical
- Topside Acc.

Perko 19" Solar-Ray® Searchlight and Control Assemblies

- White Perko • Kote finish.
- These are designed and built with the commercial user in mind where maximum size and brilliance count.
- These units are constructed of marine aluminum with heavy duty castings and heavy gauge reinforced bodies for extra durability.
- Halo deflector.
- Parabolic glass reflector with shock resistant mounting.
- Lower vent cover.
- Hinged front doors have quick release stainless steel latches to provide easy access for bulb replacement.
- Flat black interior finish.
- Slide-lock focusing device behind lower vent.
- Positive non-leaking seals. Heavy duty cast rack and pinion assembly.
- Floating stops in base to allow 400° rotation.
- Extra large cast aluminum base drilled for (4) 1/2" fasteners.



Order No.	Mfg. No. / Description	Price
526600	(1902 004 WHT) Searchlight Head Assembly Only	\$2,599.98 F
526650	(1921 000 WHT) Lever/Gear Control Only, 22" L	\$1,712.98 F
526674	(1922 000 WHT) Wheel Control Only, 20-1/2" L	\$1,752.98 F
543238	(0890004) Spare Reflector	\$2,821.98 D
530229	(0905) Spare Pinion Gear	\$151.98 F

- Solar-Ray searchlight includes a socket, support stand based on the bulb or socket information given when ordering.
- The chart below makes it possible to make your decision.

Socket Type	Socket Code	Socket & Stand Fig. #	Height Stand
Medium Screw	B	872 004	5-3/4"
Medium Prefocus	E	873 004	5-7/16"
Mogul Prefocus (1,500 watt)	L	1930 004	3-5/8"
Mogul Prefocus (1,000 & 2,000 watt)	M	1931 004	3-1/8"
2-Pin Prefocus (900 watt)	K	880 004	7-5/16"

- Cockpit & Deck
- Instruments
- Steering, Controls
- Perform.
- Fuel System
- Engine & Parts
- Engine Care
- Propellers
- Seating & Pedestals
- Tops & Covers
- Pumps
- Cleaning & Care
- Paint & Paint Acc.
- Hardware, Fasteners
- Trailer
- Misc.



SPECIAL HANDLING MAY APPLY

The Carlisle & Finch Co. 500 Watt Xenon Arc Searchlights



Distant Electrical Control



Lever Gear Control

LEVER GEAR CONTROL - DRUM-SIZE NOMINAL 15"

- Fun & Flotation
 - Anchor & Dock
 - Safety
 - Electronics
 - Trolling Motors
 - Lighting
 - Electrical
- This powerful, rugged design, composed of marine grade aluminum and stainless steel, with a high quality salt and scratch resistant powder coat finish. (Optional brass with sparkling chrome finish for yachts).
 - The indestructible, nickel reflector produces a precision 1-Degree beam at a powerful 45 million beam candlepower.
 - The searchlight focus has safety back-up, with no tools required (if the Focus Motor fails, the beam-size can be adjusted quickly and easily, with an external focus knob).
 - The searchlight is mounted on a rugged base, which includes ball bearings held captive within stainless steel races, producing greater than 385 degrees of horizontal rotation with unique sliding stop.
 - Remote electric beam-size focus (1 to 15 degrees).
 - Voltages: 115VAC.
 - Long-life warranted xenon lamp.

Order No.	Mfg. No. / Description	Price
275304	(X9396LG-RF) Head with 70" Lever Gear Control	\$8,006.00 A
275328	(4441X-RF) Control Station	\$345.00 A
275405	(4198PS-1) Power Supply - 115 VAC	\$2,780.00 A

DISTANT ELECTRIC CONTROL

- Instruments
 - Steering, Controls
 - Perform.
 - Fuel System
 - Engine & Parts
- These units have all the features listed above and also the following.
 - "Proportional-Speed" joystick provides aiming and speed control with single-hand.
 - Motorized rugged cast base with horizontal and vertical clutch assemblies and ball bearings contained in stainless steel races.
 - Fast speed searches at 30 degrees per second.
 - Single station or multiple stations.
 - Indoor and outdoor weatherproof control stations.
 - Optional anti-icing heater circuitry in base, rack and trunnions, digital azimuth indicator, manual back-up (in case of motor failure).

Order No.	Mfg. No. / Description	Price
275435	(X9398-RF) Joystick Electric Control	\$10,015.00 A
275441	(C4-1M-1) Control Station	\$690.00 A
275438	(4198PSDE-1) Power Supply	\$3,540.00 A

Accessories and Parts

Description	10" Scht. Part #	12" Scht. Part #	15" Scht. Part #
Cover, Protective	SL3322A	SL3322A	SL3322B
Cover Glass	SL62	SL102	SL1085
Gasket, Base, DMC	SL3318B	SL3318B	SL3318B
Gasket, Base, High	SL3318B	SL3318B	SL3318B
Gasket, Base, Pedestal	SL3318C	SL3318C	SL3318C
Gasket, Base, Standard	SL3318A	SL3318B	SL3318B
Lampholder, Med. Pref. (273918)	SL1250C	SL1250C	SL1250C
Lampholder, Med. Screw	SL1087-1	SL1087-1	SL1087-1
Lampholder, Mogul Bipost			FE132X
Lampholder, Mogul Screw (274302)		SL96X	SL96X
Lampholder, 2-Pin Pref. (273526)	8704	8704	8704
Reflector	SL1083A (273831)	SL107 (273829)	CL14 (273843)

The Carlisle & Finch Co. 1.0kw and 2.5kw Xenon Arc Searchlights



Distant Electrical Control



Lever Gear Control

LEVER GEAR CONTROL - DRUM-SIZE NOMINAL 19"

- Fun & Flotation
 - Anchor & Dock
 - Safety
 - Electronics
 - Trolling Motors
 - Lighting
 - Electrical
- This powerful, rugged design, composed of marine grade aluminum and stainless steel, with a high quality salt and scratch resistant powder coat finish. (Optional brass with sparkling chrome finish for yachts).
 - The indestructible, nickel reflector produces a precision 1-Degree beam at a powerful 80 million (1.0kw) and 150 million (2.5kw) beam candlepower.
 - The searchlight focus has safety back-up, with no tools required (if the Focus Motor fails, the beam-size can be adjusted quickly and easily, with an external focus knob).
 - The searchlight is mounted on a rugged base, which includes ball bearings held captive within stainless steel races, producing greater than 385 degrees of horizontal rotation with unique sliding stop.
 - Remote electric beam-size focus (1 to 15 degrees).
 - Voltages: 3-phase 208/240 VAC, 380 VAC, 480 VAC or 575 VAC.
 - Long-life warranted xenon lamp.

Order No.	Mfg. No. / Description	Price
275417	(XE9664LG-RF) Head with 46" (LTS) Lever Gear Control	\$10,544.50 A
275431	(9754X-RF) Control Station	\$375.00 A
275429	(5275PS2-1) Power Supply	\$4,665.00 A

DISTANT ELECTRIC CONTROL

- Instruments
 - Steering, Controls
 - Perform.
 - Fuel System
 - Engine & Parts
- Motorized rugged cast base with horizontal and vertical clutch.
 - Assemblies and ball bearings contained in stainless steel races.
 - Exceeds 380 degrees horizontal rotation.
 - 8-position joystick provides simultaneous vertical and horizontal movement.
 - Speed control dial changes beam speed from 0 to 27 degrees per second.
 - Single station or multiple stations.
 - Indoor and outdoor weatherproof control stations.
 - Optional anti-icing heater circuitry in base, rack and trunnions.
 - Optional digital azimuth indicator.
 - Optional manual back-up (in case of motor failure).

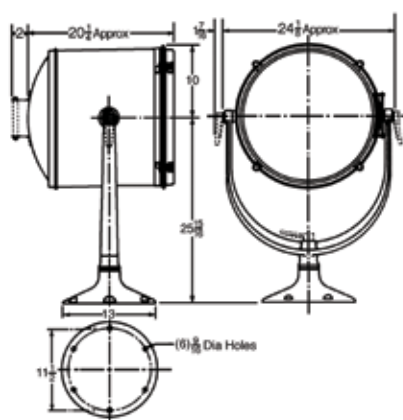
How to Order Searchlights

- Specify size searchlight, type control, type base, type drum, type finish, type lampholder, and give code word or catalog number.
- Give ordering code and volts of lamp.
- Specify length of control (measured from bottom of base to centerline of lever or upper wheel) if other than the standard dimensions shown on the dimension drawings.
- Specify pedestal height (measured from bottom of base to centerline of drum) if different from the standard 48 inches.
- Example: 12" searchlights, lever control, standard base, vented drum, enamel finish, medium prefocus lampholder, code RECITE-E2. Special length control 22" base to centerline lever. Two lamps code 54889-0 120 volts.
- To designate the specific lampholder desired add one of the following suffixes to the code word or catalog number:
 - Medium Screw Lampholder -1
 - Medium Prefocus Lampholder -2
 - Mogul Screw Lampholder -3
 - Mogul Bipost Lampholder -4
 - 2-Pin Prefocus Lampholder -5

SPECIAL HANDLING MAY APPLY



The Carlisle & Finch Co. 19" Incandescent Halogen Searchlights



• Beam characteristics of 19" incandescent searchlights with various lamps.

• Price On Request

LAMP DATA

Watts	Volts	Bulb Size	Base	Filament	Service	Average Hours Life	Code	Peak Beam Candlepower	Horizontal Spread	Vertical Spread
750	120	T20	Medium Prefocus	C13D	Projection	25	DPJ	4,260,000	3.5°	3.6°
1,000	120	T20	Mogul Bipost	C13D	Projection	25	DRE	4,200,000	4.5°	4.2°
1,000	120	T20	Mogul Prefocus	C13D	Projection	25	DSB	4,410,000	4.5°	4.2°
1,000	120	T20	Mogul Screw	C13D	Projection	25	DRW	4,410,000	4.5°	4.2°
1,000	120	G40	Mogul Screw	C13D	Split	25	1M/1M/G40/1	3,200,000	4.4°	5.4°
1,000	120		3 Contact	C13	Flood	25		475,000	15°	15°
1,000	120	T20	Medium Prefocus	C13D	Projection	200	1M/T20P/SP	2,680,000	5°	5°
1,000	120	T20	Medium Prefocus	C13D	Projection	25	DRS	4,410,000	4°	4.3°
1,000	120	T20	Mogul Bipost	C13	Aero	500	1M/T20BP	2,381,000	5.4°	5.4°
1,000	120	T20	Mogul Prefocus	C13	Aero	500	1M/20P/AB	1,750,000	5.4°	5.4°
1,000	120	T20	Mogul Prefocus	C13	Projection	50	DPW	2,700,000	5.6°	5.2°
1,000	120	T20	Mogul Screw	C13	Aero	500	1M/T20AB	1,750,000	5.4°	5.4°
1,000	120	T20	Mogul Screw	C13	Projection	50	DPT	2,700,000	5.6°	5.2°
1,000	120	T20	Medium Prefocus	C13	Projection	50	DRC	2,700,000	3.3°	5.2°
1,500	120	T20	Mogul Bipost	C13D	Projection	25	DTS	4,750,000	4.4°	4.5°
1,500	120	T20	Mogul Prefocus	C13D	Projection	25	DTJ	4,750,000	4.4°	4.5°
1,500	120	G40	Mogul Prefocus	C5	Split	200	1500G40/15	1,750,000	10°	7°
1,500	120	G40	Mogul Screw	C5	Split	200	1500G40/10	1,750,000	10°	7°
2,000	120	G48	Mogul Bipost	C13	Split	200	2M/G48/17	2,750,000	7.4°	6.5°

BEAM CHARACTERISTICS

The Carlisle & Finch Co. 10", 12" and 15" All Brass Incandescent Halogen Searchlights

SEARCHLIGHT LAMP DATA

DMI #	Ref.	Code	watts	volts	Bulb Size	Base	Description	Filament	Average Hrs. Life	10" Scht.	12" Scht.	15" Scht.
220070	21.5	FDT	100	12	T4	2-Pin Prefocus	Tungsten Halogen	C6	50	765,000	1,170,000	1,750,000
	23.01	FDS	150	24	T4	2-Pin Prefocus	Tungsten Halogen	C6	500	935,000	1,380,000	2,030,000
	35	CRX	300	32	T12	Medium Screw	Projection	C13	50	417,000	705,000	1,110,000
219825	46.5	BTM	500	120	T6	Medium Prefocus	Tungsten Halogen	C13D	100	950,000	1,160,000	2,080,000
219887	47	CZX	500	120	T10	Medium Prefocus	Projection	C13D	25	900,000	1,170,000	
	49	DLY	500	32	T20	Medium Prefocus	Projection	C13	50	630,000	750,000	
528806	50	DLT	500	32	T20	Medium Screw	Projection	C13	50	630,000	750,000	
	51	DMX	500	120	T20	Medium Prefocus	Projection	C13	50	475,000	780,000	
	52	DMS	500	120	T20	Medium Screw	Projection	C13	50	475,000	780,000	
220020	53.8	DYS	600	120	G7	2-Pin Prefocus	Tungsten Halogen	CC6	75	**781,000	1,130,000	1,840,000
219899	54.6	DCX	750	120	T20	Medium Screw	Tungsten Halogen	C13D	500	Not Used	1,520,000	2,820,000
	58	DPJ	750	120	T20	Medium Prefocus	Projection	C13D	25	Not Used	1,360,000	3,280,000

LAMPS BELOW TO BE USED IN VENTED DRUMS ONLY

DMI #	Ref.	Code	watts	volts	Bulb Size	Base	Description	Filament	Average Hrs. Life	10" Scht.	12" Scht.	15" Scht.
219849	68.06	BTR	1,000	120	T7	Medium Prefocus	Tungsten Halogen	C13D	200	Not Used	1,520,000	2,820,000
	70	DRS	1,000	120	T20	Medium Prefocus	Projection	C13D	25	Not Used	1,650,000	3,280,000
	80	DRW	1,000	120	T20	Medium Screw	Projection	C13D	25	Not Used	1,650,000	3,130,000

* These lamp manufacturer's figures are relative only. Individual lamps may vary considerably. ** Intermittent duty only (one hour or less).



SPECIAL HANDLING MAY APPLY

- Fun & Flotation
- Anchor & Dock
- Safety
- Electronics
- Trolling Motors
- Lighting
- Electrical
- Topside Acc.
- Cockpit & Deck
- Instruments
- Steering, Controls
- Perform.
- Fuel System
- Engine & Parts
- Engine Care
- Propellers
- Seating & Pedestals
- Tops & Covers
- Pumps
- Cleaning & Care
- Paint & Paint Acc.
- Hardware, Fasteners
- Trailering
- Misc.

The Carlisle & Finch Co. 10", 12" and 15" Incandescent Halogen Searchlight Selection Table



10" INCANDESCENT HALOGEN SEARCHLIGHT

Type Control	Type Base	Type Drum	Enamel Finish (Scht. Code Word)	Polished Finish (Scht. Code Word)	Chromium Finish (Scht. Code Word)	Net Wt.	Shipping Wt.
Local	Standard	Non Vented	RAIN-E	RAIN	CRAIN	15 lbs.	21 lbs.
Local	High	Non Vented	ROSE-E	ROSE	CROSE	22 lbs.	28 lbs.
Local	Pedestal	Non Vented	RAJAH-E	RAJAH	CRAJAH	29 lbs.	59 lbs.
Lever	Standard	Non Vented	REDAN-E	REDAN	CREDAN	19 lbs.	25 lbs.
Lever	High	Non Vented	REFORM-E	REFORM	CREFORM	27 lbs.	33 lbs.
Lever	Pedestal	Non Vented	10SL1624XE	10SL1624X	10SL1624XC	34 lbs.	55 lbs.
Lever-Gear	Standard	Non Vented	10SL8425E	10SL8425P	10SL8425C	22 lbs.	28 lbs.
Lever-Gear	High	Non Vented	10SL8426E	10SL8426P	10SL8426C	30 lbs.	36 lbs.
Lever-Gear	Pedestal	Non Vented	10SL8427E	10SL8427P	10SL8427C	37 lbs.	58 lbs.
Wheel	Standard	Non Vented	RANK-E	RANK	CRANK	19 lbs.	25 lbs.
Wheel	High	Non Vented	ROPE-E	ROPE	CROPE	27 lbs.	33 lbs.
Wheel	Pedestal	Non Vented	10SL1620XE	10SL1620X	10SL1620XC	37 lbs.	55 lbs.
DMC	Standard	Non Vented	10SL200E	10SL200P	10SL200C	32 lbs.	53 lbs.

12" INCANDESCENT HALOGEN SEARCHLIGHT

Type Control	Type Base	Type Drum	Enamel Finish (Scht. Code Word)	Polished Finish (Scht. Code Word)	Chromium Finish (Scht. Code Word)	Net Wt.	Shipping Wt.
Local	Standard	Non Vented	RAKE-E	RAKE	CRAKE	22 lbs.	31 lbs.
		Vented	RATE-E	RATE	CRATE	22 lbs.	31 lbs.
Local	High	Non Vented	ROME-E	ROME	CROME	27 lbs.	36 lbs.
		Vented	RUN-E	RUN	CRUN	27 lbs.	36 lbs.
Local	Pedestal	Non Vented	RETARD-E	RETARD	CRETARD	34 lbs.	64 lbs.
		Vented	12SL1648XE	12SL1648X	12SL1648XC	34 lbs.	64 lbs.
Lever	Standard	Non Vented	REDEEM-E	REDEEM	CREDEEM	26 lbs.	35 lbs.
		Vented	RECITE-E	RECITE	CRECITE	26 lbs.	35 lbs.
Lever	High	Non Vented	REFUGE-E	REFUGE	CREFUGE	32 lbs.	41 lbs.
		Vented	RESIN-E	RESIN	CRESIN	32 lbs.	41 lbs.
Lever	Pedestal	Non Vented	12SL1625XE	12SL1625X	12SL1625XC	39 lbs.	60 lbs.
		Vented	12SL1650XE	12SL1650X	12SL1650XC	39 lbs.	60 lbs.
Lever-Gear	Standard	Non Vented	12SL8186E	12SL8186P	12SL8186C	29 lbs.	38 lbs.
		Vented	12SL8186VE	12SL8186VP	12SL8186VC	29 lbs.	38 lbs.
Lever-Gear	High	Non Vented	12SL8410E	12SL8410P	12SL8410C	35 lbs.	44 lbs.
		Vented	12SL8410VE	12SL8410VP	12SL8410VC	35 lbs.	44 lbs.
Lever-Gear	Pedestal	Non Vented	12SL8428E	12SL8428P	12SL8428C	42 lbs.	63 lbs.
		Vented	12SL8428VE	12SL8428VP	12SL8428VC	42 lbs.	63 lbs.
Wheel	Standard	Non Vented	RASP-E	RASP	CRASP	26 lbs.	35 lbs.
		Vented	REAR-E	REAR	CREAR	26 lbs.	35 lbs.
Wheel	High	Non Vented	RUSE-E	RUSE	CRUSE	32 lbs.	41 lbs.
		Vented	RIPE-E	RIPE	CRIFE	32 lbs.	41 lbs.
Wheel	Pedestal	Non Vented	12SL1621XE	12SL1621X	12SL1621XC	39 lbs.	60 lbs.
		Vented	12SL1649XE	12SL1649X	12SL1649XC	39 lbs.	60 lbs.
DMC	Standard	Non Vented	12SL201E	12SL201P	12SL201C	37 lbs.	58 lbs.
		Vented	12SL203E	12SL203P	12SL203C	37 lbs.	58 lbs.

Fun & Flotation

Anchor & Dock

Safety

Electronics

Trolling Motors

Lighting

Electrical

Topside Acc.

Cockpit & Deck

Instruments

Steering, Controls

Perform.

Fuel System

Engine & Parts

Engine Care

Propellers

Seating & Pedestals

Tops & Covers

Pumps

Cleaning & Care

Paint & Paint Acc.

Hardware, Fasteners

Trailerling

Misc.

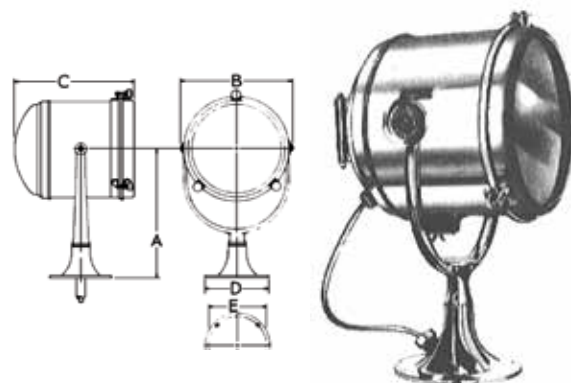
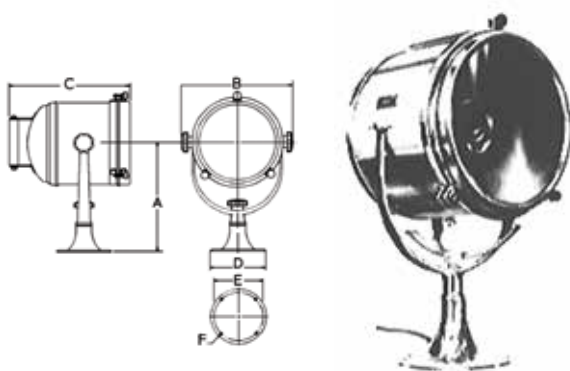
The Carlisle & Finch Co. 10", 12" and 15" Incandescent Halogen Searchlight Selection Table



15" INCANDESCENT HALOGEN SEARCHLIGHT

Type Control	Type Base	Type Drum	Enamel Finish (Scht. Code Word)	Polished Finish (Scht. Code Word)	Chromium Finish (Scht. Code Word)	Net Wt.	Shipping Wt.
Local	Standard	Non Vented	REDGUM-E	REDGUM	CREDGUM	39 lbs.	51 lbs.
		Vented	REDGUM-VE	REDGUM-V	CREDGUM-V	39 lbs.	51 lbs.
Local	High	Non Vented	REEL-E	REEL	CREEL	44 lbs.	56 lbs.
		Vented	REEL-VE	REEL-V	CREEL-V	44 lbs.	56 lbs.
Local	Pedestal	Non Vented	RONTY-E	RONTY	CRONTY	50 lbs.	80 lbs.
		Vented	RONTY-VE	RONTY-V	CRONTY-V	50 lbs.	80 lbs.
Lever	Standard	Non Vented	RADIAL-E	RADIAL	CRADIAL	43 lbs.	55 lbs.
		Vented	RADIAL-VE	RADIAL-V	CRADIAL-V	43 lbs.	55 lbs.
Lever	High	Non Vented	RAINBOW-E	RAINBOW	CRAINBOW	49 lbs.	61 lbs.
		Vented	RAINBOW-VE	RAINBOW-V	CRAINBOW-V	49 lbs.	61 lbs.
Lever	Pedestal	Non Vented	15SL1626XE	15SL1626X	15SL1626XC	56 lbs.	77 lbs.
		Vented	15SL1626XVE	15SL1626XV	15SL1626XVC	56 lbs.	77 lbs.
Lever-Gear	Standard	Non Vented	15SL8184E	15SL8184P	15SL8184C	46 lbs.	58 lbs.
		Vented	15SL8184VE	15SL8184VP	15SL8184VC	46 lbs.	58 lbs.
Lever-Gear	High	Non Vented	15SL8408E	15SL8408P	15SL8408C	52 lbs.	64 lbs.
		Vented	15SL8408VE	15SL8408VP	15SL8408VC	52 lbs.	64 lbs.
Lever-Gear	Pedestal	Non Vented	15SL8429E	15SL8429P	15SL8429C	59 lbs.	80 lbs.
		Vented	15SL8429VE	15SL8429VP	15SL8429VC	59 lbs.	80 lbs.
Wheel	Standard	Non Vented	RACKET-E	RACKET	CRACKET	43 lbs.	55 lbs.
		Vented	RACKET-VE	RACKET-V	CRACKET-V	43 lbs.	55 lbs.
Wheel	High	Non Vented	RABBIT-E	RABBIT	CRABBIT	49 lbs.	61 lbs.
		Vented	RABBIT-VE	RABBIT-V	CRABBIT-V	49 lbs.	61 lbs.
Wheel	Pedestal	Non Vented	15SL1622XE	15SL1622X	15SL1622XC	56 lbs.	77 lbs.
		Vented	15SL1622XVE	15SL1622XV	15SL1622XVC	56 lbs.	77 lbs.
DMC	Standard	Non Vented	15SL202E	15SL202	15SL202C	54 lbs.	75 lbs.
		Vented	15SL202VE	15SL202V	15SL202VC	54 lbs.	75 lbs.

The Carlisle & Finch Co. 10", 12" and 15" All Brass Incandescent Halogen Searchlights



STANDARD BASE MANUAL CONTROLS BELOW

Size	A	B	C	D	E	F
10"	12-3/4"	11"	10"	6-3/8"	5-3/8"	11/32"
12"	15-15/16"	13-1/2"	13-1/4"	8-1/4"	7-3/8"	13/32"
15"	19-7/8"	16-3/4"	14-7/8"	8-1/4"	7-3/8"	13/32"

LOCAL CONTROL STANDARD BASE

Size	A	B	C	D	E	F
10"	12-3/4"	13-1/8"	12"	6-3/8"	5-3/8"	11/32"
12"	15-15/16"	15-5/8"	15-1/2"	8-1/4"	7-3/8"	13/32"
15"	19-7/8"	18-7/8"	16-7/8"	8-1/4"	7-3/8"	13/32"

- Fun & Flotation
- Anchor & Dock
- Safety
- Electronics
- Trolling Motors
- Lighting
- Electrical
- Topside Acc.
- Cockpit & Deck
- Instruments
- Steering, Controls
- Perform.
- Fuel System
- Engine & Parts
- Engine Care
- Propellers
- Seating & Pedestals
- Tops & Covers
- Pumps
- Cleaning & Care
- Paint & Paint Acc.
- Hardware, Fasteners
- Trailering
- Misc.

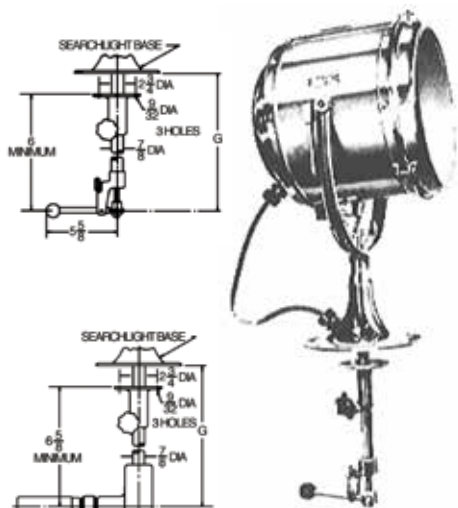
Commercial

The Carlisle & Finch Co. 10", 12" and 15" All Brass Incandescent Halogen Searchlights



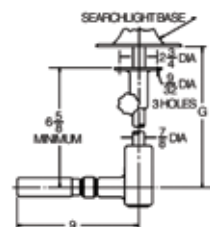
LEVER CONTROL

Size	G
10"	11-3/8"
12"	10-7/8"
15"	10-7/8"



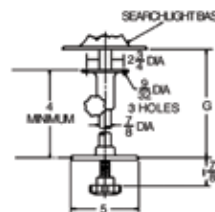
LEVER-GEAR CONTROL

Size	G
10"	11-3/8"
12"	10-7/8"
15"	10-7/8"



WHEEL CONTROL

Size	G
10"	9-1/2"
12"	9"
15"	9"



Other Products • Price On Request

10", 12", 15" Distant Electric Control • 19" Incandescent Searchlights • 24" Searchlights • Xenon Searchlights • Carbon Arc Searchlights
Searchlight Power Supplies • Signaling Searchlights • Marine Floodlights • Navy Searchlights/Navigation Lights • Lighthouse Beacons

The Carlisle & Finch Co. 10" Searchlight with 2-Pin Prefocus Socket



PAINTED FINISH

Order No.	Mfg. No. / Description	Price
274489	(REDAN-E5) Lever Control 18" Longer than Standard	\$1,872.00 D
274542	(RANK-E5) Wheel Control 12" Longer than Standard	\$1,848.00 D

SPARE REFLECTOR FOR 10" SEARCHLIGHT

Order No.	Mfg. No. / Description	Price
273831	(SL1083A) Diameter 9"	\$229.98 B

The Carlisle & Finch Co. 15" Searchlight with Medium Prefocus Socket



PAINTED FINISH - VENTED DRUM

Order No.	Mfg. No. / Description	Price
274655	(RACKET-VE2) Wheel Control 24" Longer than Standard	\$3,041.00 D

SPARE REFLECTOR FOR 15" SEARCHLIGHT

Order No.	Mfg. No. / Description	Price
273843	(SL1084) Diameter 14-3/16"	\$550.98 B

Spare Common Parts for 10", 12" and 15" Searchlights

Order No.	Mfg. No. / Description	Price
274047	(K5482) Pinion Gear f/Wheel Control	\$45.00 A
273969	(SL1937) Reflector Mnt. Clips, 4 Per Light	\$4.50 A
273526	(8704) 2-Pin Prefocus Socket Only	\$32.00 A

The Carlisle & Finch Co. 12" Searchlight with Medium Prefocus Socket



PAINTED FINISH - VENTED DRUM

Order No.	Mfg. No. / Description	Price
274631	(RECITE-E2) Lever Control 18" Longer than Standard	\$2,457.00 D
274605	(REAR-E2.) Wheel Control 24" Longer than Standard	\$2,481.00 D
274592	(REAR-E2) Wheel Control 6" Longer than Standard	\$2,409.00 D

SPARE PARTS FOR 12" SEARCHLIGHT

Order No.	Mfg. No. / Description	Price
273690	(9865XV) Med. Prefocus Socket with Mnt. Stand	\$216.00 A
273829	(SL107) Reflector, Diameter 10-15/16"	\$280.98 B

The Carlisle & Finch Co. 19" Searchlight with Medium Prefocus Socket



PAINTED BRASS AND STAINLESS STEEL DRUM

Order No.	Mfg. No. / Description	Price
274779	(19SL3794DX) Lever Control 24" Longer than Standard	\$3,588.00 B
274782	(19SL3794DX) Lever Control 48" Longer than Standard	\$3,678.00 B
274681	(REDCOAT-D-48) Wheel Control 48" Longer than Standard	\$3,398.00 B

SPARE PARTS FOR 19" SEARCHLIGHT

Order No.	Mfg. No. / Description	Price
273754	(KEF217) Pinion Gear, Wheel/Lever Gear Control	\$45.00 A
273766	(EF240) Reflector, Diameter 18-1/8"	\$744.98 B
273970	(SL1461/1455) Reflector Clamp Assembly 19"	\$14.98 A

Spare Common Parts for 10", 12" and 15" Searchlights

Order No.	Mfg. No. / Description	Price
273918	(SL1250C) Med. Prefocus Socket Only	\$65.00 A
274302	(SL96X) Mogul Screw Socket Only	\$65.00 A

SPECIAL HANDLING MAY APPLY

- Fun & Flotation
- Anchor & Dock
- Safety
- Electronics
- Trolling Motors
- Lighting
- Electrical
- Topside Acc.
- Cockpit & Deck
- Instruments
- Steering, Controls
- Perform.
- Fuel System
- Engine & Parts
- Engine Care
- Propellers
- Seating & Pedestals
- Tops & Covers
- Pumps
- Cleaning & Care
- Paint & Paint Acc.
- Hardware, Fasteners
- Trailing
- Misc.
- Comm.

The Carlisle & Finch Co. 12" Searchlights - Distant Electric Control (DEC)



- Rugged drive unit is housed in watertight corrosion resistant marine aluminum or brass base as specified.
- Slip clutches allow manual override at all times, a convenience when relamping.
- A small heater on drive unit keeps temperature in base housing above ambient to minimize condensation on and in motors.
- Powerful motors in weatherproof base direct the penetrating beam with finger-tip ease from any distance.
- Automatic brakes provide instant start and instant stop with no overtravel.
- Complete flexibility in mounting.
- Searchlight can be controlled from many separate locations.
- Motors operate on 110-125 volts, 50-60 hz (cycles).
- Drum, door, and yoke, etc., constructed of solid brass.
- Base is brass.
- Drum/door and yoke is white enamel.
- Rugged joystick switch controls both motions.
- No limit to distance between searchlight and joystick.
- Second, third, fourth, or more joysticks can be added at any time.
- Just five control conductors and a ground conductor required between searchlight and joystick.
- Either way, one standard unit is used.
- No interlocks required.
- Corrosion resistant and oiltight, the joystick can be mounted almost anywhere.
- Uses medium prefocus lampholder.
- Vented.

Order No. Mfg. No. / Description Price
274908 (125BEV-2) Includes: 12" Brass Control **\$4,114.00 B**

AVAILABLE IN 10", 12" AND 15" PRICE ON REQUEST

The Carlisle & Finch Co. Accessories and Parts



273981

Order No.	Mfg. No. / Description	Price
273971	(SL1461) Fixed Spring	POR
273972	(SL1455) Clamp Spring	POR
273981	(SL3455XA) Lever Gear Assembly	POR
274050	(K4729-1) Pinion Gear for 500 watt Xenon Searchlight	POR
274934	(X9398-RF-NO)	POR
274958	(8672XS) Control Assembly	POR
274959	(4799X-RFS) Control Station	POR
275435	(X9398-RF)	POR
275438	(4198PSDE-1) Power Supply	POR
275441	(C4-1M-1) Control Station	POR

Suez Canal Searchlight - 2,000W/3,000W Halogen



- Designed to meet applicable marine requirements.
- Certified in accordance with Suez Canal Authorities.
- The searchlight is made of seawater resistant aluminum finished in white polyester.
- The searchlight can be stored under deck and easily moved from the storage and mounted on deck, due to its low weight and convenient lifting handles.
- When not in use, it can easily be removed to a bow in a storage room by one person.
- Handles for lifting are provided for this purpose.
- Designed for Halogen lamps 2000W or 3000W included.
- Front glass made of hardened glass.
- Controllable brushed aluminum split reflectors to product two beam sectors in accordance to regulations.
- Equipped with dual reflector lamps with external switch-over arrangement in case of burn out.
- A protection cover can also be attached to the front glass to prevent damages.
- It is gas tight, pressure tested and equipped with a safety valve.
- A 1/4" rubber hose may be connected to the escape valve transferring hot air to a gas-free zone.
- The searchlight drum weighs only 30 kg which simplifies installation.

MANUFACTURED BY NORSELIGHT PRICE ON REQUEST

- Fun & Flotation
- Anchor & Dock
- Safety
- Electronics
- Trolling Motors
- Lighting
- Electrical
- Topside Acc.
- Cockpit & Deck
- Instruments
- Steering, Controls
- Perform.
- Fuel System
- Engine & Parts
- Engine Care
- Propellers
- Seating & Pedestals
- Tops & Covers
- Pumps
- Cleaning & Care
- Paint & Paint Acc.
- Hardware, Fasteners
- Trailering
- Misc.



SPECIAL HANDLING MAY APPLY

Franklin Submersible Bilge Pump

- Oil-free motor with thermal overload protection.
- Designed for continuous duty.
- Permanently lubricated upper/lower ball bearings with double lip seal.
- 5 vane impeller.
- 1-1/2" FNPT discharge, 1-1/4" reducer bushing included.
- Handles up to 1/2" solids.
- 120° F (49° C) liquid temperature rating.
- 115 volts.
- Shut-off: 17.5'.
- CSA approved.



Order No. **496213** Mfg. No. / Description (620120ESP3AV) 1/3 Horsepower with 10' Cord Price **\$284.98 Q**

TOTAL HEAD IN FEET

5'	10'	15'	20'	25'	30'
----	-----	-----	-----	-----	-----

CAPACITIES IN U.S. GPM

496213 (ESP33)	44	34	13	-	-	-
-----------------------	----	----	----	---	---	---

Franklin Companion Flanges - CF Series



Order No. **496315** Mfg. No. / Description (613090) Fits CF - 1.125A 1-1/4" Disc Flange Price **\$79.98 LQ**
 Order No. **496317** Mfg. No. / Description (613110) Fits CF - 1.5A 1-1/2" Disc Flange Price **\$79.98 LQ**

Franklin Submersible Sewage Pump



- All cast iron construction.
- Oil-filled motor with double ball bearing capacitor start designed for high torque with automatic reset.
- Designed for continuous duty.
- Discharge 2" NPT.
- Handles solids up to 2" diameter.
- Power cord sealed at motor housing.
- 120° F (49° C) liquid temperature rating.
- Phase: 1. 60 Hz.
- Manual.
- Shut-off: 27'.
- 115 volts.
- CSA approved.

Order No. **496225** Mfg. No. / Description (620012 WS51M) 1/2 HP Price **\$653.98 Q**
 Order No. **496218** Mfg. No. / Description (639643) Float Switch Price **\$49.98 F**

TOTAL HEAD IN FEET

5'	10'	15'	20'	25'	30'
----	-----	-----	-----	-----	-----

CAPACITIES IN U.S. GPM

496225 (WS51M)	155	120	83	52	14	-
-----------------------	-----	-----	----	----	----	---

Franklin Submersible Bilge Pump

- Oil-free motor.
- Designed for continuous duty.
- 1-1/2" NPT discharge.
- Handles up to 3/4" solids.
- 120° F (49° C) liquid temperature rating.
- 115 volts.
- Shut-off: 31'.
- CSA approved.



Order No. **446216** Mfg. No. / Description (620178ESP5AV) 1/2 Horsepower with 20' Cord Price **\$452.98 Q**

TOTAL HEAD IN FEET

5'	10'	15'	20'	25'	30'
----	-----	-----	-----	-----	-----

CAPACITIES IN U.S. GPM

446216 (ESP50)	-	-	61	51	36	-
-----------------------	---	---	----	----	----	---

Franklin FBSE Series Self-Priming Centrifugal Pumps

- Volute: Cast iron construction with tapped openings for priming, venting and draining.
- Impeller: Semi-open cast iron; ideal for handling fertilizer, salt water, dirty water, and other liquids; blind-hole tapped so liquid will not corrode the shaft.
- Seal: Standard carbon/ceramic faces, FKM elastomers, and 300-series stainless steel components.
- Motor: Reliable, industry-standard; range of 1/2 - 3 hp; higher than NEMA service factor.
- 120° F maximum temperature.
- Heads: To 70 feet. Working pressure: 75 PSI max.
- Capacities: To 126 GPM.



115/230 VOLTS. PHASE 1.

Order No.	Mfg. No. / Description	Dis. x Suc.	Weight	Price
496101	(92931007) 3/4 HP	1-1/4" NPT Dis. x Suc.	42 lbs.	\$739.98 Q
496112	(92931010) 1 HP	1-1/4" NPT Dis. x Suc.	46 lbs.	\$821.98 Q
496124	(92931015) 1-1/2 HP	2" NPT Dis. x Suc.	52 lbs.	\$940.98 Q

230 VOLTS. PHASE 1.

Order No.	Mfg. No. / Description	Dis. x Suc.	Weight	Price
496135	(92931020) 2 HP	2" NPT Dis. x Suc.	60 lbs.	\$1,055.98 Q

208-230/460 VOLTS - BALDOR MOTOR. PHASE 3.

Order No.	Mfg. No. / Description	Dis. x Suc.	Weight	Price
496141	(92933030) 3 HP	2" NPT Dis. x Suc.	60 lbs.	\$1,438.98 Q

MECHANICAL SHAFT SEAL FOR 1/2 - 3 HP

Order No.	Mfg. No. / Description	Price
496441	(305463029)	\$40.98 B

TOTAL DYNAMIC HEAD IN FEET CAPACITIES IN U.S. GPM

Model #	RPM	HP	20'	30'	40'	50'	60'	70'	80'
FBSE-50-S	3450	1/2	55	46	32	10	0	-	-
FBSE-75-S	3450	3/4	65	50	35	10	0	-	-
FBSE-100-S	3450	1	80	70	60	42	20	-	-
FBSE-150-S	3450	1-1/2	102	78	55	35	8	0	-
FBSE-200-S	3450	2	126	103	80	58	32	10	0
FBSE-300-S	3450	3	138	130	120	100	79	55	25
FBSEF-500	3450	5	265	235	205	165	120	75	20
FBSEF-750	3450	7-1/2	290	270	245	215	170	120	70

- Fun & Flotation
- Anchor & Dock
- Safety
- Electronics
- Trolling Motors
- Lighting
- Electrical
- Topside Acc.
- Cockpit & Deck
- Instruments
- Steering, Controls
- Perform.
- Fuel System
- Engine & Parts
- Engine Care
- Propellers
- Seating & Pedestals
- Tops & Covers
- Pumps
- Cleaning & Care
- Paint & Paint Acc.
- Hardware, Fasteners
- Trailer
- Misc.
- Comm.

Franklin FBSEF Series Self-Priming Centrifugal Pumps



- Volute: Rugged cast iron construction with a large chamber for rapid self priming.
- Impeller: Semi-open cast iron; ideal for handling fertilizer, salt water, dirty water, and other liquids; blind-hole tapped so liquid will not corrode the shaft.
- Mechanical seal: Carbon/ceramic faces, FKM elastomers, and 300-series stainless steel components.
- Motor: Reliable, industry-standard; totally-enclosed; fan-cooled TEFC enclosure.
- 212° F maximum temperature.
- Heads: To 92 feet. Working pressure: 75 PSI max.
- Capacities: To 295 GPM.

208-230/460 VOLTS. PHASE 3.

Order No.	Mfg. No. / Description	Price
496162	(92934030) 3 HP 2" NPT Suction/Discharge 77 lbs.	\$1,458.98 Q
496174	(92934050) 5 HP 3" NPT Suction/Discharge 148 lbs.	\$2,081.98 Q
496441	(305463029) Mechanical Shaft Seal for 1/2 - 3 HP	\$40.98 B

Franklin Water Pressure System



- For use where the vertical distance from the water supply does not exceed 25 feet.
- Cast iron casting and seal plate for durability and long life.
- Square D pressure switch preset at 30-50 PSI.
- 1-1/4" NPT suction and brass flow control valve. 1" NPT discharge.
- Pressure gauge included.
- Heavy duty steel constructed tank.
- Welded malleable water connection, will not break during installations.
- Tank's butyl rubber diaphragm system isolates the air charge from system water.
- 115/230 volts.
- Pump complete with 8.5 gallon horizontal pressure tank and foot valve.

Order No.	Mfg. No. / Description	Price
496195	(558277) 1/2 HP	\$809.98 G

Model No.	Motor HP	Total Suction Lift	Pump Capacity in U.S. GPM										Max. Pressure (PSI)
			Discharge Pressure in PSI										
			20	25	30	35	40	45	50	55	60		
JP-050-C	1/2	5'	12.8	12.5	12.3	12.1	11.2	9.5	6.9	4.3	2	64.2	
JP-050-C	1/2	10'	11.5	11.3	11	10.8	10.4	8.5	6.0	3.4	1	62	
JP-050-C	1/2	15'	9.8	9.7	9.6	9.5	9.4	7.3	4.7	2.2	-	59.9	
JP-050-C	1/2	20'	8.3	8.1	7.8	7.7	7.6	5.7	3.5	1	-	57.7	
JP-050-C	1/2	25'	5.6	5.5	5.5	5.4	5.3	4.1	2.3	0.2	-	55.5	

International Shore Connection - Brass



- Shore connection is a 2-1/2" x 7" OD flange threaded with 2-1/2" female hose thread to match on docks.
- Flange is drilled to ANSI Standard and is supplied with bolts, nuts, washers and gaskets.

Order No.	Mfg. No. / Description	Price
324018	(337-2521)	\$258.98 E

Franklin B50S Series Self-Priming Utility Transfer Pump



- 1/2 HP higher than NEMA service factor, dual compartment motor.
- Cast iron casing with large chamber for self-priming.
- Carbon/ceramic mechanical seal.
- Semi-open, cast iron impeller.
- Includes garden hose adapter.
- 120° F (49° C) liquid temperature rating.
- 115 volts.
- With 8' power cord.
- Self-priming to 25 feet.
- 1-1/4" NPT suction and discharge with hose adaptor.
- Flow rates to 45 gallons per minute.

Order No.	Mfg. No. / Description	Price
496202	(621814 B50S)	\$699.98 Q

TOTAL HEAD IN FEET

20'	25'	30'	35'	40'	45'
-----	-----	-----	-----	-----	-----

CAPACITIES IN U.S. GPM

496202 (B50S)	45	39	31	24	16	8
----------------------	----	----	----	----	----	---

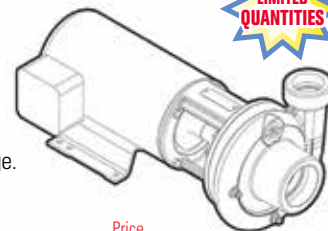
Franklin Centrifugal Pump - Self-Priming Turf Boss



- Volute: Built-in suction check valve facilitates priming and prevents back flow or siphoning.
- Impeller: Cast iron, combining efficient operation with durable construction to allow for use in a broad range of pumping applications.
- Seal: Standard carbon/ceramic faces, Viton elastomers, 300 series stainless components.
- Cast iron diffuser.
- Motor: Standard JM Frame Motors.
- 120° F (49° C) liquid temperature rating.
- Heads: To 170 feet. Working pressure: 75 PSI max.
- Capacities: To 160 GPM.
- 2-1/2" NPT suction and 2" NPT discharge.

Order No.	Mfg. No. / Description	Price
496245	(92980055) 5 HP, Phase 1	\$1,929.98 Q

Franklin Centrifugal Pump - Close-Coupled 8"



LIMITED QUANTITIES

- 212° F maximum temperature.
- Heads: To 300 feet.
- Working pressure: 150 PSI max.
- Capacities: To 375 GPM.
- 3" NPT suction and 2" NPT discharge.
- 3600 RPM.

Order No.	Mfg. No. / Description	Price
355649	(93190311) 15 HP, Phase 3	\$3,844.98 LQ

International Ship Connection - Brass



- This 7" OD flange threaded with 2-1/2" female hose thread to match hose threads on ship.
- Flange is slotted rather than drilled so it can be used with non standard flanges.
- Supplied with bolts, nuts, washers and gaskets.

Order No.	Mfg. No. / Description	Price
324006	(336)	\$252.98 E

- Fun & Flotation
- Anchor & Dock
- Safety
- Electronics
- Trolling Motors
- Lighting
- Electrical
- Topside Acc.
- Cockpit & Deck
- Instruments
- Steering, Controls
- Perform.
- Fuel System
- Engine & Parts
- Engine Care
- Propellers
- Seating & Pedestals
- Tops & Covers
- Pumps
- Cleaning & Care
- Paint & Paint Acc.
- Hardware, Fasteners
- Trailering
- Misc.

Franklin Water Pressure Systems

- For installations where the vertical distance from the pump to the pumping water level does not exceed 25 feet.
- Cast iron casting and seal plate for durability and long life.
- Pressure switch preset at 30-50 PSI.
- 1-1/4" NPT suction and 1" NPT discharge.
- Pressure gauge included.
- Stainless steel motor shaft and dual ball bearings.
- Precision-engineered thermoplastic impeller, diffuser, nozzle and venturi.
- Clean-out plug to easily unclog nozzle.
- 115/230 volts.



Order No.	Mfg. No. / Description	Price
496186	(558279) JPH-50-C High Pressure Pump Only 1/2 HP	\$426.98 Q
496201	(558275MJS75) JP-075-C Standard Pressure Pump Only 3/4 HP	\$602.98 Q
496194	(558276MJS100) JP-100-C Standard Pressure Pump Only 1 HP	\$564.98 Q
496188	(604050) Base Plate for Pump System	\$31.98 LQ
496190	(604457) RL20 Pressure Tank - 20 Gallon	\$289.98 Q
496191	(604459) RL44 Pressure Tank - 44 Gallon	\$583.98 Q
496302	(305446943) Seal Plate	\$37.98 LQ
496338	(224310) Pressure Switch	\$44.98 F

- Fun & Flotation
- Anchor & Dock
- Safety
- Electronics
- Trolling Motors
- Lighting
- Electrical
- Topside Acc.
- Cockpit & Deck
- Instruments
- Steering, Controls
- Perform.
- Fuel System
- Engine & Parts
- Engine Care
- Propellers
- Seating & Pedestals
- Tops & Covers
- Pumps
- Cleaning & Care
- Paint & Paint Acc.
- Hardware, Fasteners
- Trailer
- Misc.

Model No.	Motor HP	Total Suction Lift (ft.)	Pump Capacity in U.S. GPM														Maximum Pressure (PSI)
			Discharge Pressure in PSI														
			20	25	30	35	40	45	50	55	60	65	70	75	80		
JP-075-C	3/4	5	16.2	16	15.8	15.6	15.4	12.1	8.7	5.7	2.9	-	-	-	-	65	
JP-075-C	3/4	10	14.3	14	13.7	13.5	13.2	10.6	7.6	4.6	1.6	-	-	-	-	62.8	
JP-075-C	3/4	15	12.1	11.7	11.3	11	10.6	9.3	6.3	3.2	0.2	-	-	-	-	60.6	
JP-075-C	3/4	20	9.9	9.6	9.3	9	8.7	7.8	4.8	1.9	-	-	-	-	-	58.5	
JP-075-C	3/4	25	7.2	7.1	7	6.9	6.8	6.7	3.5	0.6	-	-	-	-	-	56.3	
JPH-50-C	1/2	5	8.8	8.9	8.6	8.4	8.3	8.1	7.4	6	4.7	-	-	-	-	80.6	
JPH-50-C	1/2	10	7.8	7.7	7.55	7.4	7.25	7.2	6.6	5.4	4.15	-	-	-	-	78.5	
JPH-50-C	1/2	15	6.5	6.4	6.3	6.2	6.1	6	5.3	4.8	3.6	-	-	-	-	76.3	
JPH-50-C	1/2	20	5.3	5.2	5.1	4.9	4.8	4.7	4.6	4.1	2.9	-	-	-	-	74.1	
JPH-50-C	1/2	25	3.7	3.65	3.6	3.55	3.5	3.5	3.45	2.4	2.3	-	-	-	-	71.9	
JP-100-C	1	5	24.8	24.7	23.2	19.8	16.5	13.1	9.5	6.3	3.4	0.5	-	-	-	66.2	
JP-100-C	1	10	21.5	21.2	20.1	18.4	15.2	11.5	7.9	4.9	2.4	-	-	-	-	64.2	
JP-100-C	1	15	18.1	17.8	17.4	16.7	13.8	10.3	6.9	4	1.3	-	-	-	-	62.1	
JP-100-C	1	20	14.4	14.3	14.2	14.6	12.3	9	5.3	2.3	0.2	-	-	-	-	60.1	
JP-100-C	1	25	10.5	10.5	10.4	10.3	8.8	7	4.2	1.3	-	-	-	-	-	57.2	

Globe Drivesaver® Vibration-Reducing Couplings



- The Drivesaver provides a flexible, nonmetallic barrier between your transmission and propeller shaft.
- This barrier reduces drivetrain vibration which reduces noise to you, your crew and the water.
- Absorbs thrust and torque from the propeller shaft, as well as excessive shock from changing gears and high speed planing.
- Provides an impervious barrier that blocks electrical currents from the water so your engine and transmission are protected from damaging corrosion.
- Includes: Bushing kits where necessary.

Order No.	Mfg. No.	Flange Diameter	Bolt Circle	Pilot Diameter	Coupling Diameter	Price
369024	(01-12-0050)	4"	3-1/4"	2-1/2"	5"	\$429.98 LQ
369040	(01-12-0130)	5"	4-1/4"	2-1/2"	6"	\$445.98 H
369036	(01-12-0420)	4-3/4"	3-7/8"	2-1/2"	5-3/8"	\$605.98 H
369042	(01-12-0470)	5-3/4"	4-3/4"	3"	6-13/16"	\$583.98 H
369030	(01-12-0550)	7-1/4"	6"	3-3/4"	8-3/8"	\$668.98 H

Johnson Heavy Duty Stuffing Boxes

DURAMAX MARINE LLC



Model 1786 I.R. Water and Grease Service with Air Seal



Fig. 1787 I.R. Grease Service with Air Seal



Fig. 1788 I.R. Water Service with Air Seal



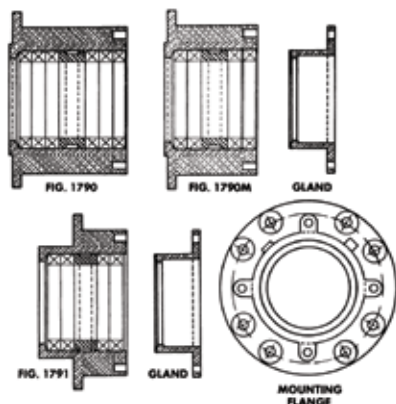
Model 1789 Water Service Only



Model 1790M Grease Service Only



Model 1791 Grease Service Only



- These stuffing box systems are engineered and built to seal out seawater and give unmatched protection for your propulsion system.
- Air Valve Extension - Used to inflate and deflate Air Seal ring. Inflate to 15 psi to engage seal. Maximum 40 psi.
- Water-Lubrication Service Inlet - Inlet is aft of packing and connects to ship's piping. It delivers water-lubrication to shaft bearing.
- Pre-drilled Flanges - Housing flanges are precision-drilled for easy, accurate mounting, unless otherwise specified.
- "Zerk" Grease Service Fitting - Channels grease to packing.
- Packing Retaining Gland.
- Additional Water-Lubrication Service Inlet.
- Ribbed and Perforated Lantern Ring.
- All sizes supplied with grease lantern ring.
- Packing is not included as standard equipment.
- An additional charge will be made when packing is specified.
- Mounting flange holes are drilled standard unless otherwise specified.
- Bronze stuffing boxes sizes 2" through 6-1/4" can be supplied with integral steel mounting flange for bulkhead welding at 20% additional charge.
- When ordering specify steel flange.

ALUMINUM BOX

Fig. 1789	Fig. 1790	Fig. 1790	Fig. 1790M	Fig. 1791
Price Each	Price Each	Price Each	Price Each	Price Each

BRONZE BOX

Order No.	Mfg. No. / Description	Price
427840	(1790M-0278) Bronze, 2-7/8"	\$450.00 LQ

Zinc Tear Drop Anodes



- 1 Cast-in Galvanized Steel Strap, Weld on.
- 5 lbs.
- Dimensions: 3" W x 9" L x 1-1/4" T.

Order No.	Mfg. No. / Description	Price
323600	(GATD6/ZTS6)	\$15.98 C
323602	(ZTS-6)	\$26.98 C

Zinc Plate Hull Anodes



- Zinc Plate.
- 2 Cast-in Galvanized Steel Straps, Weld on.
- 22 lbs.
- Dimensions: 6" W x 12" L x 1-1/4" T.

Order No.	Mfg. No. / Description	Price
323840	(GA-23/ZHS-23)	\$68.98 C
323841	(ZHS-23)	\$107.98 C

Zinc Plate Hull Anodes



- Zinc Plate.
- 1 Cast-in Galvanized Steel Strap, Weld on.
- 11-1/2 lbs.
- Dimensions: 3" W x 12" L x 1-1/4" T.

Order No.	Mfg. No. / Description	Price
323834	(ZSS12)	\$58.98 C
323838	(GA12/ZSS12)	\$37.98 C

Zinc Plate Hull Anodes



- Zinc Plate.
- 2 Cast-in cored holes on 6" centers.
- 22 lbs.
- Dimensions: 6" W x 12" L x 1-1/4" T.

Order No.	Mfg. No. / Description	Price
323843	(GA23C)	\$73.98 C
323844	(ZHC23-BOLT)	\$107.98 C

- Fun & Flotation
- Anchor & Dock
- Safety
- Electronics
- Trolling Motors
- Lighting
- Electrical
- Topside Acc.
- Cockpit & Deck
- Instruments
- Steering, Controls
- Perform.
- Fuel System
- Engine & Parts
- Engine Care
- Propellers
- Seating & Pedestals
- Tops & Covers
- Pumps
- Cleaning & Care
- Paint & Paint Acc.
- Hardware, Fasteners
- Trailering
- Misc.

Commercial

- Fun & Flotation
- Anchor & Dock
- Safety
- Electronics
- Trolling Motors
- Lighting
- Electrical
- Topside Acc.
- Cockpit & Deck
- Instruments
- Steering, Controls
- Perform.
- Fuel System
- Engine & Parts
- Engine Care
- Propellers
- Seating & Pedestals
- Tops & Covers
- Pumps
- Cleaning & Care
- Paint & Paint Acc.
- Hardware, Fasteners
- Trailer
- Misc.

Zinc Plate Hull Anode

- Zinc Plate.
- 2 Cast-in cored holes.
- 11 lbs.
- Dimensions: 3" W x 12" L x 1-1/4" T.

Order No.	Mfg. No. / Description	Price
323876	(ZSC-12)	\$55.98 C

Magnesium Tear Drop Anode with Plasticol Coating

- 1 Cast-in Galvanized Steel Strap, Weld on.
- 1.5 lbs.
- Dimensions: 3" W x 9" L x 1-3/8" T.

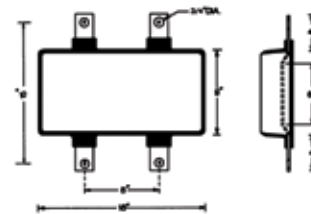
Order No.	Mfg. No. / Description	Price
323852	(GAMGJR)	\$35.98 C

R.E. Thomas Anodes

Order No.	Mfg. No. / Description	Price
040129	(8X-SL) Anode 1-3/4"	\$21.98 B
040131	(9X-SL) Anode 2"	\$19.98 B
040143	(11X-SL) Anode 2-1/2"	\$37.98 B
040167	(5HC) Anode 5"	\$35.98 B
040155	(2R) Bi-Direct Anode 2"	\$8.98 B

Magnesium Hull Anode with Plasticol Coating

- 2 Cast-in 1/4" x 2" Galvanized Steel Straps, Weld on.
- 24 lbs.
- Dimensions: 9" W x 18" L x 2" T.



Order No.	Mfg. No. / Description	Price
323903	(GAMGH24W)	\$214.98 C

Magnesium Launch Anode with Plasticol Coating

- 1 Cast-in Galvanized Steel Strap, Weld on.
- 5 lbs.
- Dimensions: 5" W x 10" L x 2-1/2" T.



Order No.	Mfg. No. / Description	Price
323864	(GAMG5LAUNCH)	\$65.98 C

Metal Distributors Commercial Prop Nut Anode - #8

Order No.	Mfg. No. / Description	Price
269096	(CMPN08Z)	\$195.98 C

Keel Cooler Anodes



Z-1 KEEL COOLER ANODE

- For size 1/2", 3/4", 1" Single Stem and 1-1/4" and 1-1/2" Double Stem 4 tube 1-1/8" fluted.

Order No.	Mfg. No. / Description	Price
338165	(Z-1)	\$11.98 I

Z-2 KEEL COOLER ANODE

- For size 1-1/4" and 1-1/2", 1" Single Stem and 2-1/2" Double Stem 4 tube 1-1/2" turbo tube.

Order No.	Mfg. No. / Description	Price
338167	(Z-2)	\$14.98 I

Z-3 KEEL COOLER ANODE

- For size 2", 2-1/2", 3", 4" Single Stem and 3" and 4" Double Stem.

Order No.	Mfg. No. / Description	Price
338169	(Z-3)	\$29.98 H

Duracooler™

by DURAMAX MARINE^{LLC}

Commercial

Quality 90/10 Cupro-Nickel.

Rectangular tubing, resistant to salt, water corrosion and sea growth.

Superior heat transfer. Compact, one piece.

Through-hull type fittings.

Available in a wide range of models and different tubing sizes.

Engineered for fast, economical, simplified installation.

Custom sized to your engine specifications and operational requirements.



To determine the optimum sizing of a DURACOOLER™ Keel Cooler, please provide the following information:

1. Manufacturer and Engine Model
2. Engine Rating with Horsepower and RPM
3. Coolant Temperature Requirement for entering or exiting the engine
4. Total Heat Rejection to Coolant (BTU/min.)
5. Coolant Flow (GPM)
6. Minimum Hull Speed at full RPM (knots)
7. Maximum Ambient Seawater Temperature
8. Will Anti-Freeze Be Used
9. Dry or Wet Manifolds

Fun & Flotation
Anchor & Dock
Safety
Electronics
Trolling Motors
Lighting
Electrical
Topside Acc.
Cockpit & Deck
Instruments
Steering, Controls
Perform.
Fuel System
Engine & Parts
Engine Care
Propellers
Seating & Pedestals
Tops & Covers
Pumps
Cleaning & Care
Paint & Paint Acc.
Hardware, Fasteners
Trailerling
Misc.

DuraCooler - New Flanged- Mount Design

LOOKS LIKE OTHER KEEL COOLERS - LOOK CLOSER!

In the commercial marine industry you need every competitive advantage you can get. That's why we've developed the DuraCooler - one of the most innovative keel coolers on the market today. Sure DuraCooler looks like other keel coolers, but look a little closer. DuraCooler's unique streamlined header design enhances internal coolant and external seawater flow while reducing system pressure drop. The new design also provides optimum heat transfer efficiency in a smooth tube design, resulting in smaller keel cooler units and a reduction in cooling system costs. Onrepower, replacement or retrofits, this increased cooling capacity within the same installation footprint provides the vessel owner an additional cooling safety factor.

NO MORE THROUGH HULLS FOR KEEL COOLER INSTALLATIONS

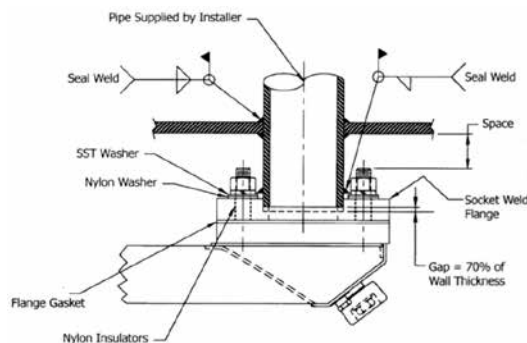
Now the streamlined DuraCooler design is available in a flanged-mount connection design. The new flanged-mounted connection is obtained by means of a cupronickel flange affixed to the top of the DuraCooler header and a mild ASTM steel flange, supplied with the cooler. Weld a schedule 80 steel pipe to the steel flange supplied with the DuraCooler unit, and bolt the cupronickel flange to the steel flange using the supplied hardware. Extend the pipe through the hull and fillet weld the pipe to the hull on both sides. Rest easy knowing that you no longer have a through hull penetration with this design.

NO MORE SPECIAL TOOLS

With the standard nozzle and nut keel cooler attachment method, it can be difficult to access the nut inside the hull. Additionally, with this design you do not have to fabricate a special mounting nut wrench. It is not longer necessary. All standard flanged-mount hardware is located outside the vessel where it is easier to access. Use tools found in a typical toolbox.

PERFECT FOR DOUBLE HULL DESIGNS

So you are designing or building a vessel with a double hull. Standard through hull keel cooler nozzles may not be long enough to penetrate both hulls. The flanged-mount design is ideal.



FEATURES/BENEFITS

- **No through-hull connections** - If a flanged mounted DuraCooler is knocked off the vessel, you won't need to worry about flooding the vessel.
- **No need to fabricate special tools for installation** which will save time and money on installation costs.
- **Space savings inside hull** - If the area inside the hull is tight or equipment makes the internal nut on the through hull fitting inaccessible, the flanged-mount design is ideal
- **Eliminates the need for a cofferdam or seachest** which will save time and money on installation costs.
- **Keel cooler research and development program** - We test actual DuraCoolers and competitive keel coolers under various operating conditions. This data is used to create more accurate recommendations.
- **Simplified Installation** when mounting hardware cannot be easily accessed from the interior of the vessel or for double hull installations.
- **Streamlined header design** allows for less internal pressure drop of coolant flowing through the keel cooler. External water travels more quickly to tubes increasing the heat transfer efficiency to the cooler.

Duramax Marine Keel Coolers



- 90/10 cupro-nickel tubing is resistant to waterflow erosion and serves as an antifoulant.
- Compact, one-piece design makes installation simple.
- Streamlined header design reduces pressure drop in water flowing through the cooler.
- External water travels more quickly to tubes increasing the heat transfer efficiency of the cooler.
- Custom-sized for your engine specifications and operational requirements.
- Available with through-hull type fittings or non-through-hull flanges.
- PATENT PENDING.

Order No.	Mfg. No. / Description	Price
473215	(DC-416144)	\$8,822.98 LQ
473227	(SC-41690-57)	\$7,326.98 LQ
473241	(DC-41696)	\$7,792.98 LQ

Keel Cooler Anodes

- Fits DuraCooler style keel coolers.

Order No.	Mfg. No. / Description	Price
348157	(8200281AK) Kit 1274S	\$187.98 D
348208	(8200119AK) Kit 2624S	\$225.98 D
348210	(8200108AK) Kit 2874S	\$282.98 D
348346	(8200116AK) Kit 1874S	\$261.98 D

Sen Dure Products Engine/Transmission Oil Coolers

- 2 copper tubes have standard 3/8" NPTF.

Order No.	Mfg. No. / Description	Price
605000	(RD209AA05) 1" Hose Bib	\$213.98 I
605001	(RD209EE05) 1-1/4" Hose Bib	\$213.98 I

- Fun & Flotation
- Anchor & Dock
- Safety
- Electronics
- Trolling Motors
- Lighting
- Electrical
- Topside Acc.
- Cockpit & Deck
- Instruments
- Steering, Controls
- Perform.
- Fuel System
- Engine & Parts
- Engine Care
- Propellers
- Seating & Pedestals
- Tops & Covers
- Pumps
- Cleaning & Care
- Paint & Paint Acc.
- Hardware, Fasteners
- Trailing
- Misc.
- Comm.

Duracooler™

Donovan Representative: _____

Customer: _____ Customer Number: _____

Contact: _____

Phone Number: _____ Fax Number: _____

Name of Vessel/Hull #: _____ Cooler Installation: New _____ or Retrofit _____

Hull Dimensions: Length: _____ ft. Beam: _____ ft. Draft: _____ ft.

*Minimum speed at which full HP will be developed: _____ knots.

*Expected maximum ambient sea water temperature: _____ deg. F.

Use of Vessel: _____ (Push boat, crewboat, OSV, trawler, tug, etc.)

Main engines: Quantity: _____, *Manufacturer: _____, *Model: _____

*HP: _____ *RPM: _____, *Exhaust: Wet _____ or Dry _____, *Turbocharger (Y/N): _____

*Specify tier of engine: _____

Location of cooler(s): _____ (bottom or side of hull)

Single or double pass cooler preferred: _____

Manufacturer of gear (if gear is to be cooled): _____ Model: _____

Reduction: _____ /1, If Reintjes gear provide water pump flow _____ GPM

Other engines to be cooled:

Generator:

*Manufacturer: _____, *Model: _____, *RPM: _____, *KW: _____

*Specify tier of engine: _____

Bow Thruster:

*Manufacturer: _____, *Model: _____, *HP: _____, *RPM: _____

*Specify tier of engine: _____

Stern Thruster:

*Manufacturer: _____, *Model: _____, *HP: _____, *RPM: _____

*Specify tier of engine: _____

Compressor or other special application:

Application: _____

*Manufacturer: _____, *Model: _____, *HP: _____, *RPM: _____

Comments: _____

- Fun & Flotation
- Anchor & Dock
- Safety
- Electronics
- Trolling Motors
- Lighting
- Electrical
- Topside Acc.
- Cockpit & Deck
- Instruments
- Steering, Controls
- Perform.
- Fuel System
- Engine & Parts
- Engine Care
- Propellers
- Seating & Pedestals
- Tops & Covers
- Pumps
- Cleaning & Care
- Paint & Paint Acc.
- Hardware, Fasteners
- Trailering
- Misc.

D1600 Series Gridcoolers - Single Pass

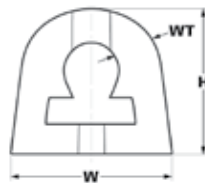
- Fernstrum GRIDCOOLER keel coolers are the smallest, most efficient keel coolers available.
- The rectangular tube design is more efficient and durable than grooved round tubing.
- 100% parts inspection process and rigorous testing procedures insure that all GRIDCOOLER keel coolers are built with the same exacting standards.

Order No. Mfg. No. / Description
347950 (D16120)

Price
POR

Johnson Duramax Commercial Bumpers - Tapered D-Shape

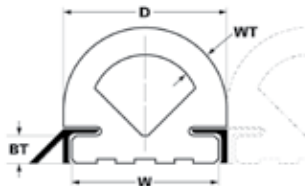
DURAMAX MARINE^{LLC}



Order No.	Mfg. No.	Color	Base Width (W)	Height (H)	Wall Thickness (WT)	Wt./ft.	Length	Price/ft.
428006	(DB-50)	Black	2-1/8"	2"	7/16"	1.2 lbs.	20'	\$10.98 F
428020	(DB-75)	Black	3-1/8"	2-7/8"	11/16"	2.6 lbs.	20'	\$20.98 F
428056	(DB-100)	Black	4-1/4"	3-7/8"	3/4"	5.1 lbs.	20'	\$38.98 F

Johnson Duramax Commercial Bumpers - Fan Nose

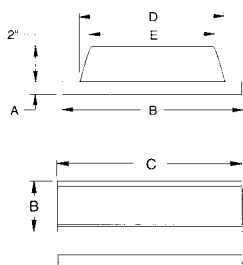
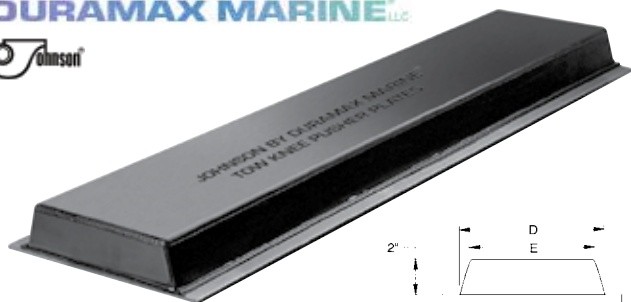
DURAMAX MARINE^{LLC}



DMI #	MFG #	Color	Base Width (W)	Outside Dia. (D)	Base Thickness (BT)	Wall Thickness (WT)	Wt./ft.	Length	Price/ft.
428119	(DB-503)	Black	2-1/2"	3"	17/32"	5/8"	2.5 lbs.	20'	\$24.98 F
428157	(DB-504)	Black	3-3/4"	4-1/4"	25/32"	3/4"	4.7 lbs.	20'	\$31.98 F

Johnson Duramax Commercial Bumpers - Single Tow Knees

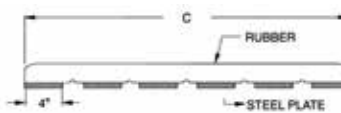
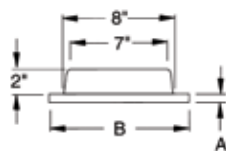
DURAMAX MARINE^{LLC}



DMI #	MFG #	Thickness (A)	Width (B)	Length (C)	Base Width (D)	Surface Width (E)	Weight Per Unit	Price
428575	(DB-1408)	3/4"	10"	36"	8"	7"	90 lbs.	\$209.98 B
428563	(DB-1409)	1/2"	10"	36"	8"	7"	65 lbs.	\$189.98 B
428551	(DB-1410)	1/4"	10"	36"	8"	7"	50 lbs.	\$176.98 B
428614	(DB-1508)	3/4"	13-1/2"	36"	11-1/4"	10-1/4"	130 lbs.	\$336.98 B
428602	(DB-1509)	1/2"	13-1/2"	36"	11-1/4"	10-1/4"	90 lbs.	\$299.98 B

Johnson Duramax Modular Bumper - Segmented Tow Knee

DURAMAX MARINE^{LLC}



DMI #	MFG #	Plate Thickness (A)	Width (B)	Length (C)	Weight Per Unit	Price
428804	(DB1909)	1/2"	10"	35-1/2"	53 lbs.	\$209.98 B

SPECIAL HANDLING MAY APPLY

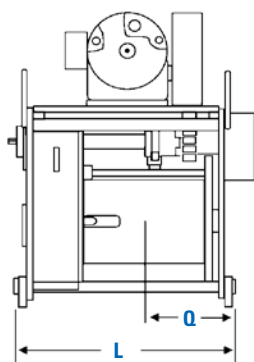
- Fun & Flotation
- Anchor & Dock
- Safety
- Electronics
- Trolling Motors
- Lighting
- Electrical
- Topside Acc.
- Cockpit & Deck
- Instruments
- Steering, Controls
- Perform.
- Fuel System
- Engine & Parts
- Engine Care
- Propellers
- Seating & Pedestals
- Tops & Covers
- Pumps
- Cleaning & Care
- Paint & Paint Acc.
- Hardware, Fasteners
- Trailer
- Misc.
- Comm.



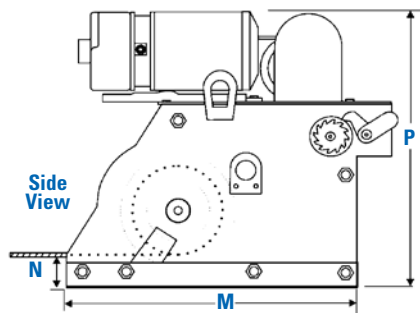
W.W. Patterson Ten Models From 20 to 75 Ton Shock Load Capacity

ELECTRIC WINCH SPECIFICATIONS

*MFG #	Shock Load Capacity	Maximum Pull	Maximum Speed	Rated Line Pull	Manual Ratios	Base	Drum Dim.	Weight Diameter	Electric Motors
WWP20E-3-6L/R	40,000 lbs.	16,000 lbs.	14 fpm	5,200 lbs.	20:1 298:1	35" x 15"	8-5/8"	800 lbs.	3 HP, 3 Phase 60 Hz, 230/460V
WWP20EX-3-6L/R	40,000 lbs.	12,000 lbs.	19 fpm	3,800 lbs.	20:1 220:1	35" x 15"	8-5/8"	800 lbs.	3HP, 3 Phase 60 Hz, 230/460V
WWP30E-3-10L/R	60,000 lbs.	15,000 lbs.	13 fpm	5,400 lbs.	20:1 380:1	35" x 19"	10"	950 lbs.	3HP, 3 Phase 60 Hz, 230/460V
WWP30E-5-10L/R	60,000 lbs.	20,000 lbs.	17 fpm	6,600 lbs.	20:1 280:1	35" x 19"	10"	950 lbs.	5HP, 3 Phase 60 Hz, 230/460V
WWP40E-5-14L/R	80,000 lbs.	24,000 lbs.	15 fpm	8,000 lbs.	16:1 325:1	37" x 25"	10"	1,300 lbs.	5HP, 3 Phase 60 Hz, 230/460V
WWP40E-7.5-14L/R	80,000 lbs.	25,000 lbs.	22 fpm	8,400 lbs.	16:1 222:1	37" x 25"	10"	1,300 lbs.	7.5HP, 3 Phase 60 Hz, 230/460V
WWP65E-7.5-14L/R	130,000 lbs.	36,000 lbs.	16 fpm	11,000 lbs.	24:1 422:1	40" x 25"	14"	2,000 lbs.	7.5HP, 3 Phase 60 Hz, 230/460V
WWP65E-10-14L/R	130,000 lbs.	30,000 lbs.	26 fpm	9,800 lbs.	24:1 264:1	40" x 25"	14"	2,000 lbs.	10HP, 3 Phase 60 Hz, 230/460V
WWP75E-10-10L/R	150,000 lbs.	36,000 lbs.	22 fpm	12,000 lbs.	20:1 215:1	45" x 22"	16"	2,500 lbs.	10HP, 3 Phase 60 Hz, 230/460V



Left Hand Unit, Rear View



Side View



ELECTRIC WINCH DRUM CAPACITIES AND WINCH/WORKBOAT SIZING

MFG #	Drum Capacities and Maximum Recommended Wire Rope Dia.	For Use on Workboats with Max. Horsepower of:
WWP20E-3-6L/R	100' of 3/4"	Up to 800
WWP20EX-3-6L/R	100' of 3/4"	Up to 800
WWP30E-3-10L/R	75' of 7/8"	800 to 1,300
WWP30E-5-10L/R	75' of 7/8"	800 to 1,300
WWP40E-5-14L/R	100' of 1"	1,300 to 5,600
WWP40E-7.5-14L/R	100' of 1"	1,300 to 5,600
WWP65E-7.5-14L/R	150' of 1-1/8"	1,300 to 5,600
WWP65E-10-14L/R	150' of 1-1/8"	5,600 to 10,000
WWP75E-10-10L/R	150' of 1-1/8" & 130' of 1-1/4"	5,600 to 10,000

ELECTRIC WINCH DIMENSIONS

MFG #	L	M	N	P	Q
WWP20E-3-6L/R	14-3/4"	35"	5-1/2"	32-1/2"	5-13/16"
WWP20EX-3-6L/R	14-3/4"	35"	5-1/2"	32-1/2"	5-13/16"
WWP30E-3-10L/R	19"	35"	4-7/8"	32"	8-13/16"
WWP30E-5-10L/R	19"	35"	4-7/8"	32"	8-13/16"
WWP40E-5-14L/R	24-1/2"	37"	4"	40"	9-3/16"
WWP40E-7.5-14L/R	24-1/2"	37"	4"	40"	9-3/16"
WWP65E-7.5-14L/R	25-3/4"	38"	5-1/2"	48"	10-3/4"
WWP65E-10-14L/R	25-3/4"	38"	5-1/2"	48"	10-3/4"
WWP75E-10-10L/R	22-1/4"	45"	8-1/4"	50-1/4"	8-1/4"

W.W. Patterson Electric Winches (Special Winches Available)

208 VOLT, PAINTED, 3 HP

Order No.	Mfg. No. / Description	Price
528125	(WWP20E-3-6L) Left Hand 20 Ton	\$12,880.00 B
528127	(WWP20E-3-6R) RightHand 20 Ton	\$12,880.00 B

208 VOLT, PAINTED, 5 HP

Order No.	Mfg. No. / Description	Price
528135	(WWP30E-5-10L) Left Hand 30 Ton	\$13,800.00 B
528138	(WWP30E-5-10R) Right Hand 30 Ton	\$13,800.00 B
528145	(WWP40E-5-14R) Right Hand 40 Ton	\$15,120.00 B
528146	(WWP40E-5-14L) Left Hand 40 Ton	\$15,120.00 B

230/460 VOLT, PAINTED, 5 HP

Order No.	Mfg. No. / Description	Price
528160	(WWP40E-5-14L) Left Hand 40 Ton	\$15,120.00 B
528161	(WWP40E-5-14R) Right Hand 40 Ton	\$15,120.00 B

208 VOLT, GALVANIZED, 7.5 HP

Order No.	Mfg. No. / Description	Price
528162	(WWP40E7.514L) Left Hand 40 Ton	\$23,300.00 B
528163	(WWP40E7.514R) Right Hand 40 Ton	\$23,300.00 B

208 VOLT, PAINTED, 7.5 HP

Order No.	Mfg. No. / Description	Price
528165	(WWP40E7.514L) Left Hand 40 Ton	\$19,384.00 B
528166	(WWP40E7.514R) Right Hand 40 Ton	\$19,384.00 B

230-460 VOLT, PAINTED, 7.5 HP

Order No.	Mfg. No. / Description	Price
528174	(WWP40E7.514L) Left Hand 40 Ton	\$19,384.00 B
528176	(WWP40E7.514R) Right Hand 40 Ton	\$19,384.00 B
528182	(WWP65E7.514L) Left Hand 65 Ton	\$22,240.00 B
528184	(WWP65E7.514R) Right Hand 65 Ton	\$22,240.00 B

230/460 VOLT, PAINTED, 5 HP (OLD STYLE WINCH)

Order No.	Mfg. No. / Description	Price
528149	(WWP40E514N-L) 40 Ton	\$15,120.00 B



SPECIAL HANDLING MAY APPLY

- Fun & Flotation
- Anchor & Dock
- Safety
- Electronics
- Trolling Motors
- Lighting
- Electrical
- Topside Acc.
- Cockpit & Deck
- Instruments
- Steering, Controls
- Perform.
- Fuel System
- Engine & Parts
- Engine Care
- Propellers
- Seating & Pedestals
- Tops & Covers
- Pumps
- Cleaning & Care
- Paint & Paint Acc.
- Hardware, Fasteners
- Trailering
- Misc.

- Fun & Flotation
- Anchor & Dock
- Safety
- Electronics
- Trolling Motors
- Lighting
- Electrical
- Topside Acc.
- Cockpit & Deck
- Instruments
- Steering, Controls
- Perform.
- Fuel System
- Engine & Parts
- Engine Care
- Propellers
- Seating & Pedestals
- Tops & Covers
- Pumps
- Cleaning & Care
- Paint & Paint Acc.
- Hardware, Fasteners
- Trailer
- Misc.

W.W. Patterson - Our Completely Redesigned Line Means Safer, More Efficient, OSHA – Compliant Winches

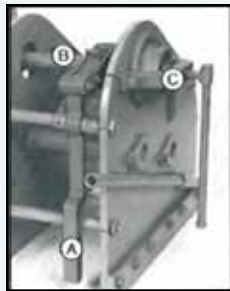
SERIES - 50B FEATURES

1. Full-size rope guard surrounds gearing; prevents fouling wire rope.
2. Complete operating instructions on gear shroud.
3. "Second to none" rope-securement method lays first coil snugly against drum flange; promotes better spooling.
4. Pull-up ratchet and extension bar provide ultrahigh tension.
5. All new brake-lock design keeps our famous safety-release feature, but now friction-disc replacement is fast and simple.
6. Hinged gear should protects gearing, yet allows easy access for lubrication.
7. Ratchet lock and cam assembly makes release under high tension easiest an safest of all.
8. High gear ratio makes tightening easier.
9. Lubrication is simplified with grease fittings at all friction points.
10. Dished handwheel with spinner speeds slack take-up.
11. Angle foot-mounts with bolt-down holes available.



Order No.	Mfg. No. / Description	Price
528210	(WWP20M- 6L) 20 Ton Painted Left	\$6,200.00 B
528220	(WWP40M-12L) 40 Ton Painted Left	\$8,400.00 B
528221	(WWP40M-12R) 40 Ton Painted Right	\$8,400.00 B

MANUAL OPERATIONS



Pull-up

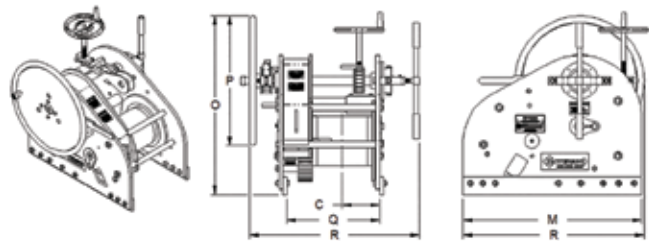
With ratchet eccentric lever **A** in vertical position, pull up load with handwheel. Ratchet dog **B** will override, holding load at all points. When load is tight, lock clutch-type brake **C**.



Release

Pull ratchet eccentric lever **A** out to horizontal position. This drops dog out of engagement while load is held by brake. Lift out dog **B**, then control release with vise handle **D**.

MANUAL WINCH DIMENSIONS

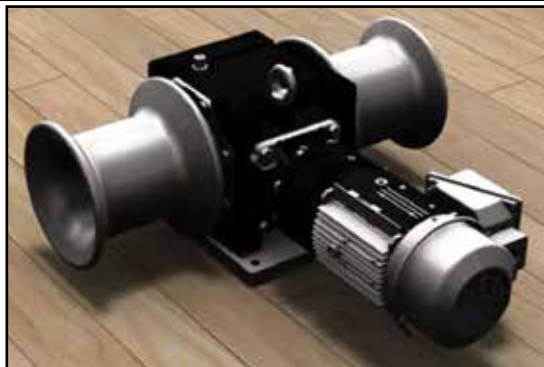


MFG #	C	M	N	O	P	Q
WWP 20M-6	5.656"	27.625"	31.7"	32.7"	26"	14.75"
WWP 30M-10	7.5"	27.625"	31.7"	32.7"	26"	17"
WWP 40M-12	8.5"	36"	36.5"	36"	26"	20.25"
WWP 65M-14	10.66"	34.5"	38.75"	42.87"	26"	25.75"

MANUAL WINCH SPECIFICATIONS

MFG #	Shock Load Capacity	Drum Diameter & Length	Handwheel Diameter	Deck to Bare Drum	Drum Capacities and Max. Recommended Wire Rope Diameters	Typical Line Tension with 100 lbs. Effort on Handwheel	Typical Max. Tension by One Man	Weight
WWP20M-6	40,000 lbs.	8-5/8" x 7"	28"	5-3/4"	100' of 3/4"	5,000 lbs.	9,000 lbs.	600 lbs.
WWP20M-6	60,000 lbs.	10-3/4" x 6"	36"	3-3/4"	60' of 7/8"	5,400 lbs.	12,000 lbs.	700 lbs.
WWP40M-11	80,000 lbs.	10-3/4" x 11"	42"	4"	70' of 1"	5,400 lbs.	14,000 lbs.	950 lbs.
WWP40M-11	130,000 lbs.	14" x 14"	48"	5-1/4"	150' of 1-1/8"	7,000 lbs.	17,000 lbs.	1,800 lbs.

SLM M Series Gypsy Winch

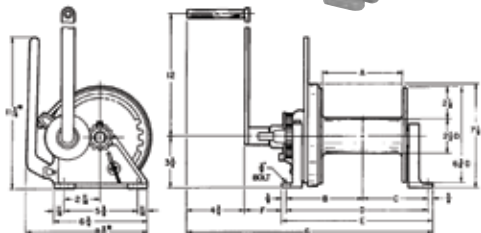


- Single and double heads available.
- 6" Head diameter currently available.
- 1,300 lbs. @ 20 FPM.
- Specialty motors (50 Hz, explosion proof) are available.
- Controls can be built to your specifications. All electrical configurations available.
- Standard marine duty paint system applied. Custom paint available upon request.

Order No.	Mfg. No. / Description	Price
399914	(A010/06/151)	\$10,281.98 C

SPECIAL HANDLING MAY APPLY

Wintech Spur-Gear "Handi-Winch" Series Hand Winch



1/2 TON HAND WINCH WITH BRAKE

- Designed to offer a portable hand winch for light lifting, lowering, holding, moving or securing rated loads.
- Cast steel drum.
- Ductile iron frame.
- Cast bronze spur gear pinion.
- Spring operated load holding dogs.
- Single direction on models equipped with lowering brakes.
- Suitable for marine environment.
- Gear ratio: 5.25:1.
- Drum capacities: 1/8" at 367', 3/16" at 151', 1/4" at 89' and 5/16" at 54'.
- Note: Not recommended for power applications.

Order No.	Mfg. No. / Description	Price
752041	(AM3B) 1/2 Ton with Brake	\$574.98 B
S/O	(BM6B) 1 Ton with Brake	Price on Request

Model #	Ton	A	B	C	D	E
(AM3B)	1/2 Ton	3"	4-7/32"	3-9/32"	7-1/2"	8-1/4"
(BM6B)	1 Ton	6"	5-23/32"	4-25/32"	10-1/2"	11-1/4"

Wintech Standard Upright Barge Winches

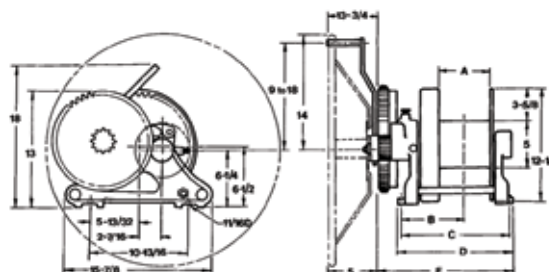
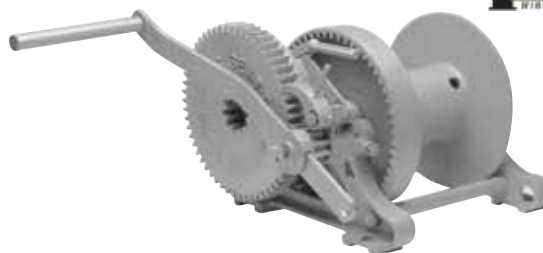


40 TON ELECTRIC WINCH

- Designed to protect operator profits by speeding up tow makeup and breakdown.
- Down time and maintenance are kept to a minimum due to design simplicity and use of superior material.
- Fully reversing crane and hoist duty motors that are totally enclosed.
- Control from pilot house or deck.
- Drum guard prevents slack cable from fouling gears.
- Hand wheel for operation in the event of power loss.
- Rated pull capacity: 6,400 lbs. Stall pull capacity: 17,500 lbs. Hand pull capacity: 20,000 lbs.
- Electric brake holding: 55,000 lbs.
- Line speed - no load: 35 fpm. Line speed - rated pull: 31 fpm. 7.5 HP.
- Phase cycle: 230/460-3-60 volts.
- Drum diameter 10".

Order No.	Mfg. No. / Description	Price
752027	(341L-RC-B9-1) Left Hand	\$11,305.00 B
752039	(341R-RC-B9-1) Right Hand	\$11,305.00 B

Wintech Spur-Gear Series Hand Winches



- All steel hand winches are designed for marine duty and industrial use.
- Cast steel drums and ring gear.
- Steel load bearing components, cast steel frames.
- Replaceable bronze bushings.
- One piece fully adjustable 14" long steel operating handle with pinion.
- Spring loaded holding dog with release handle.
- Hand operated, adjustable holding brake.
- Easy free spooling.
- Two speed gear change offers fast cable take up and easier winching.
- Note: Not recommended for power operation.

2 TON HAND WINCH WITH BRAKE

- Gear ratio: 4:1/22:1.
- Drum capacities: 1/4" at 278', 5/16" at 180', 3/8" at 133', 7/16" at 97' and 1/2" at 66'.

Order No.	Mfg. No. / Description	Price
752093	(LM6 2 TON) Winch with Hand Crank	\$1,167.98 B

5 TON HAND WINCH WITH BRAKE

- Gear ratio: 4:1/24:1.
- Drum capacities: 3/8" at 358', 7/16" at 284', 1/2" at 220' and 5/8" at 123'.

Order No.	Mfg. No. / Description	Price
752091	(HM8) Winch with Hand Crank	\$1,634.98 B
752095	(HM8WB14-0014) Winch with Pedestal & Wheel Crank	\$2,358.98 B

Model #	Ton	A	B	C	D	E
(LM6)	2 Ton	6"	5-7/8"	10-3/4"	12-1/4"	14"
(HM8)	5 Ton	8"	7-7/8"	13-7/8"	15-3/8"	17-3/4"

- Fun & Flotation
- Anchor & Dock
- Safety
- Electronics
- Trolling Motors
- Lighting
- Electrical
- Topside Acc.
- Cockpit & Deck
- Instruments
- Steering, Controls
- Perform.
- Fuel System
- Engine & Parts
- Engine Care
- Propellers
- Seating & Pedestals
- Tops & Covers
- Pumps
- Cleaning & Care
- Paint & Paint Acc.
- Hardware, Fasteners
- Trailer
- Misc.



SPECIAL HANDLING MAY APPLY

Wintech Manual Low-Profile Barge Winches



- Built to last, this low profile manually powered single speed barge winch keeps the cable low on the "bits" and the deck.
- Additional tightening power from ratchet lever bar.
- Quick release holding dog, automatically disengages when not in use.
- Spinner knob on hand wheel for fast slack line take-up.
- Steel gear guard provides operator protection; prevents slack cable from fouling gears.
- Foot brakes control and prevent overrunning and birdnesting of wire rope.



20 TON HAND WINCH WITH BRAKE

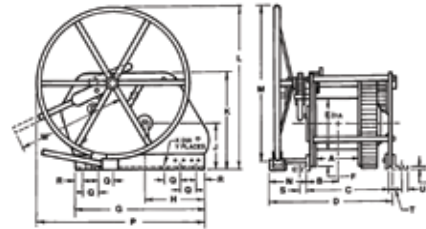
- Gear ratio: 7:1. Drum diameter 8-5/8".

Order No.	Mfg. No. / Description	Price
752018	(20HL) Left Hand	\$3,695.00 A
752022	(20HR) Right Hand	\$3,695.00 A

40 TON HAND WINCH WITH BRAKE

- Gear ratio: 14:1. Drum diameter 10-3/4".

Order No.	Mfg. No. / Description	Price
752003	(B25HL-9-10) Left Hand	\$5,660.00 B
752015	(B25HR-9-10) Right Hand	\$5,660.00 B



Model #	Ton	A	B	C	D	E	F	G	H
(20HL)	20 Ton	10"	6-1/2"	15-7/8"	25-7/8"	8-5/8"	6"	23"	11-1/2"
(25HL)	40 Ton	9"	7-3/8"	17-7/8"	27-7/8"	10-3/4"	3-5/8"	28"	12-1/4"

Model #	J	K	L	M	N	P	Q	R	S	T	U	V	W	X	Y
(20HL)	11-3/4"	24"	35"	32"	9-3/8"	38"	4"	3/4"	1"	1"	1"	3/8"	53-1/2"	13/16"	8"
(25HL)	21"	21"	34-1/2"	32"	9-3/8"	37-1/2"	4"	3"	1"	2-1/8"	1"	1/2"	53-1/2"	13/16"	10"

Winch Specification Sheet

TYPE OF WINCH:

- Towing Tugger Anchor Fishing Other

WINCH PERFORMANCE REQUIREMENTS:

Maximum Line Pull _____ lbs. @ Line Speed of _____

Minimum Line Pull _____ lbs. @ Line Speed of _____

Point on Drum where maximum Line Pull occurs: Bare Drum Mid Drum Full Drum

Brake: Failsafe/Automatic Manual

Clutch: Yes No

CABLE REQUIREMENTS:

Cable Diameter: _____ Cable Length: _____

Cable Type: _____ Min. Bending Dia.: _____

WINCH POWER REQUIREMENTS:

Winch Drive: Electric Hydraulic Other

If Electric, what is the power supplied: _____

CERTIFICATIONS:

What certification, if any, is required:

ABS Lloyd's DNV USCG Other

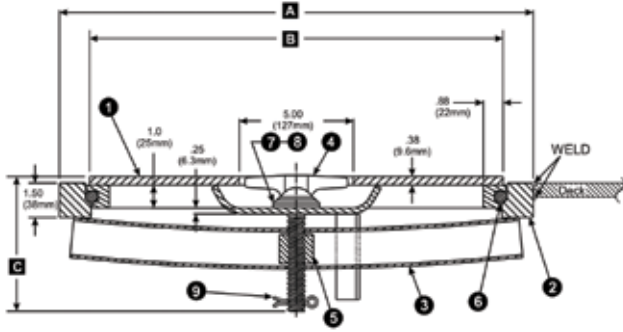
ANY ADDITIONAL INFORMATION:

SPECIAL HANDLING MAY APPLY



- Fun & Flotation
- Anchor & Dock
- Safety
- Electronics
- Trolling Motors
- Lighting
- Electrical
- Topside Acc.
- Cockpit & Deck
- Instruments
- Steering, Controls
- Perform.
- Fuel System
- Engine & Parts
- Engine Care
- Propellers
- Seating & Pedestals
- Tops & Covers
- Pumps
- Cleaning & Care
- Paint & Paint Acc.
- Hardware, Fasteners
- Trailer
- Misc.

Flush T-Handle Watertight Hatch Assemblies



CLEAR OPENING: 18". WEIGHT: 81 LBS.

Order No.	Piece No.	Name	Material
310526	1	Cover	Mild Steel
310540		Cover	Galvanized
310541	2	Deck Ring	Galvanized
312405	3	Strong Back	Mild Steel
312002	4	T-Handle	Stainless Steel
312037	5	Nut Square	Brass
312102	6	Gasket	Neoprene O-ring
312051	7	Washer	Neoprene Flat
312025	8	Handle Gasket	Brass
	9	Cotter Pin	Stainless

Model #	Part #	A	B	C
(UMC-430-18)	01210-101A	20.76"	18.13"	5.89"

Order No.	Mfg. No. / Description	Price
310526	(04210-101A) Cover, Mild Steel	\$237.98 C
310540	(04210-101B) Cover, Galvanized	\$232.98 C
310538	(01210-101A) Finish, Painted Steel	\$267.98 C
310539	(01210-101B) Finish, Galvanized	\$327.98 C
310541	(01210-203B) Deck Ring, Galvanized	\$134.98 C
312102	(01210-702A) Gasket, Neoprene O-ring	\$20.98 C
312405	(01210-202A) Strong Back, Galvanized	\$31.98 C

Similar to Nabrico Part No. DF-430-18.

CLEAR OPENING: 20". WEIGHT: 120 LBS.

Order No.	Piece No.	Name	Material
	1	Cover	Mild Steel
	2	Deck Ring	Mild Steel
312431	3	Strong Back	Mild Steel
312002	4	T-Handle	Stainless Steel
312037	5	Nut Square	Brass
312114	6	Gasket	Neoprene O-ring
312051	7	Washer	Neoprene Flat
312025	8	Handle Gasket	Brass
	9	Cotter Pin	Stainless

Model #	Part #	A	B	C
(UMC-430-18)	01210-101A	20.76"	18.13"	5.89"

Order No.	Mfg. No. / Description	Price
310564	(01220-101A) Finish, Painted Steel	\$437.98 C
312114	(01220-701A) Gasket, Neoprene O-ring	\$20.98 C
312431	(01220-202A) Strong Back, Galvanized	\$34.98 C

Similar to Nabrico Part No. DF-430-24.

ACCESSORIES

Order No.	Mfg. No. / Description	Price
312002	(01210-201A) T-Handle, Stainless Steel	\$33.98 C
312025	(01210-804A) Handle Gasket, Brass	\$6.98 C
312037	(01210-803A) Nut Square, Brass	\$23.98 C
312051	(01210-701A) Washer, Neoprene Flat	\$3.98 C

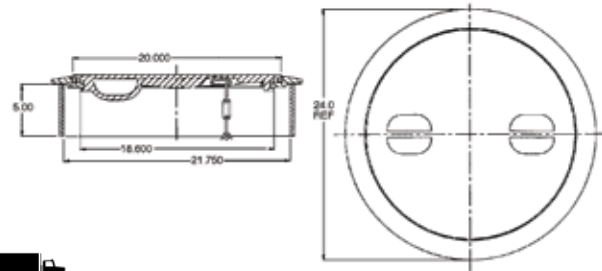
Stainless Steel T-Bolt Style Round Hatch



- This industry standard steel enclosure is based on the proven strongback style hatch and is operated by a single T-handle bolt.
- It's easy operation facilitates its convenient use while maintaining a near flush profile.
- All stainless steel construction.
- No tools required single bolt T-handle for secure engagement.
- Nitrile rubber gaskets ensure water tight seal.

Order No.	Mfg. No. / Description	Price
310920	(01210-101S) Clear Opening: 18" Outside Dia.: 20-3/4"	\$858.98 C

Flush, Watertight Hatch



CLEAR OPENING: 18". TWIST LOCK

- May be mounted flush or raised.

Order No.	Mfg. No. / Description	Price
S/O	(HTL-18-5) With 5" Coaming	Price on Request

Similar to Nabrico Part No. DF-474-5.

Stainless Steel Ullage Style Round Hatches



- The Ullage hatch is a strong and secure method of enclosing a tank compartment while still providing easy single bolt operation for inspection or measuring of cargo.
- All stainless steel construction.
- Simple Ullage arm hinge design allows for simple and clear access to port.
- Hinged.
- Brass Drop Bolt.
- Watertight.

Order No.	Mfg. No. / Description	Price
310916	(01242-104S05) Clear Opening: 8" Coaming Height: 5"	\$368.98 LQ
310918	(01242-104S12) Clear Opening: 8" Coaming Height: 12"	\$490.98 C

FLAME SCREENS

- For use with Ullage Style Round Hatches.

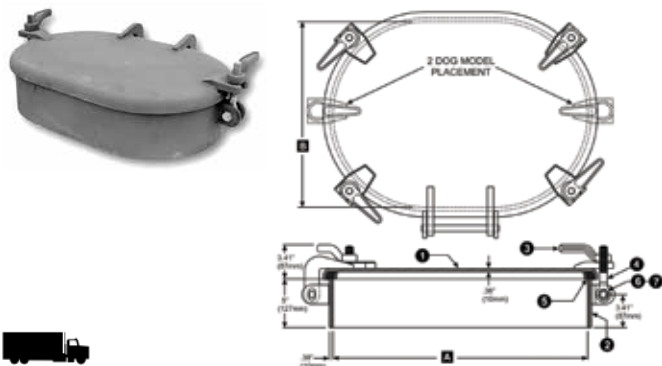
Order No.	Mfg. No. / Description	Price
303216	(01242-203A) Diameter 7-3/4"	\$48.98 C
303278	(01243-202A) Diameter 11"	\$53.98 C

- Fun & Flotation
- Anchor & Dock
- Safety
- Electronics
- Trolling Motors
- Lighting
- Electrical
- Topside Acc.
- Cockpit & Deck
- Instruments
- Steering, Controls
- Perform.
- Fuel System
- Engine & Parts
- Engine Care
- Propellers
- Seating & Pedestals
- Tops & Covers
- Pumps
- Cleaning & Care
- Paint & Paint Acc.
- Hardware, Fasteners
- Trailering
- Misc.



SPECIAL HANDLING MAY APPLY

Multi-Dog Raised, Watertight Oval Hatch Assemblies



CLEAR OPENING: 15" x 23". NUMBER OF DOGS: 4

Order No.	Piece No.	Name	Material
	1	Cover	Mild Steel
	2	Coaming	Mild Steel
312227	3	Dog Handle	Malleable Iron
312203	4	Tumble Bolt	Bronze
	5	Gasket	Neoprene
	6	Bolt, 5/8-11	Zinc Plated Steel
	7	Nut, 5/8-11	Stainless Steel

Model #	Part #	A	B
(UMC-174-5)	01240-102A	15"	23"

Order No.	Mfg. No. / Description	Price
310893	(01240-102A)	\$326.98 C

Similar to Nabrico Part No. DF-174-5 and Centex Drawing 208.

CLEAR OPENING: 18" x 24". NUMBER OF DOGS: 4

Order No.	Piece No.	Name	Material
	1	Cover	Mild Steel
	2	Coaming	Mild Steel
312227	3	Dog Handle	Malleable Iron
312203	4	Tumble Bolt	Bronze
312205	5	Gasket	Neoprene
	6	Bolt, 5/8-11	Zinc Plated Steel
	7	Nut, 5/8-11	Stainless Steel

Model #	Part #	A	B
(UMC-464-5)	03800-101A	18.25"	24.25"

Order No.	Mfg. No. / Description	Price
310906	(03800-101A)	\$366.98 C
312205	(03800-701A) Gasket	\$36.98 C

Similar to Nabrico Part No. DF-464-5 and Centex Drawing 208.

ACCESSORIES

Order No.	Mfg. No. / Description	Price
312227	(01240-302B) Dog Handle	\$27.98 C
312203	(01240-201A) Tumble Bolt, 5-1/4" x 3/4"	\$23.98 C

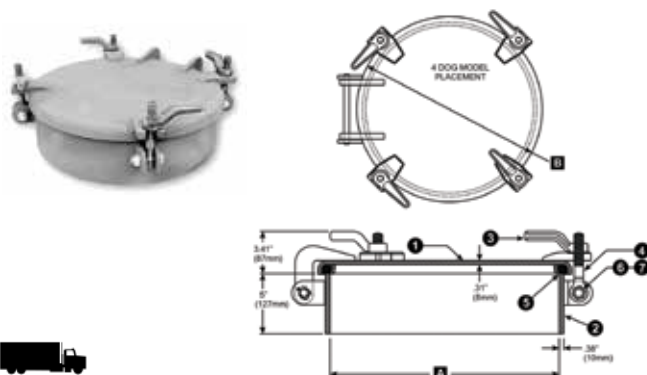
Stainless Steel Multi-Dog Style Oval Hatches

- Multi-Dog Raised hatches are a strong and secure enclosure system.
- They are universally used hardware on all kinds of commercial vessels.
- All stainless steel construction.
- 4 brass drop bolts. Hinged.
- 5" coaming. Watertight.



Order No.	Mfg. No. / Description	Price
310944	(01240-102S) Clear Opening: 15" x 23"	\$1,037.98 C
310956	(03800-101S) Clear Opening: 18" x 24"	\$1,094.98 C

Multi-Dog Raised, Watertight Round Hatch Assembly



CLEAR OPENING: 19". NUMBER OF DOGS: 4

Order No.	Piece No.	Name	Material
	1	Cover	Mild Steel
	2	Coaming	Mild Steel
312227	3	Dog Handle	Malleable Iron
312203	4	Tumble Bolt	Bronze
312140	5	Gasket	Neoprene
	6	Bolt, 5/8-11	Zinc Plated Steel
	7	Nut, 5/8-11	Stainless Steel

Model #	Part #	A	B
(UMC-343-5)	01230-101A	19"	21"

Order No.	Mfg. No. / Description	Price
310855	(01230-101A)	\$291.98 C
312140	(01241-701A) Gasket	\$28.98 C

Similar to Nabrico Part No. DF-343-5 and Centex Drawing 404.

ACCESSORIES

Order No.	Mfg. No. / Description	Price
312227	(01240-302B) Dog Handle	\$27.98 C
312203	(01240-201A) Tumble Bolt	\$23.98 C

Stainless Steel Multi-Dog Style Round Hatch



- Multi-Dog Raised hatches are a strong and secure working enclosure system.
- They are universally used hardware on all kinds of commercial vessels from small workboats to ocean going cargo ships.
- Their simple design and quality stainless steel construction help them meet the long range trouble free service requirements in the harshest environments.
- All stainless steel construction.
- 4 brass drop bolts. Hinged.
- 5" coaming. Watertight.

Order No.	Mfg. No. / Description	Price
310932	(01230-101S) Clear Opening: 19"	\$1,021.98 C

Accessories

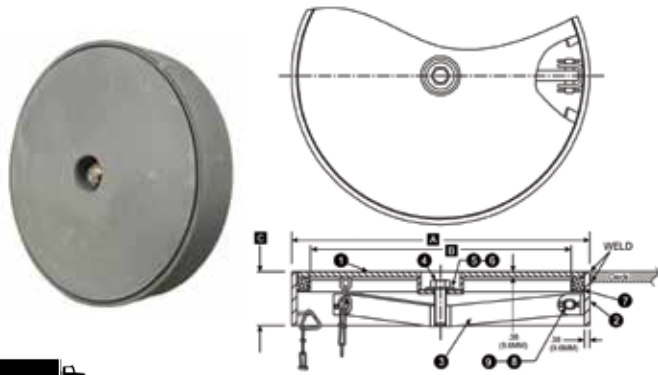


Order No.	Mfg. No. / Description	Price
312125	(03800-110A) Eye Bolt and Bell Nut Assembly	\$24.98 LQ
312241	(03800-301A) Wing Nut 3/4" Thread	\$51.98 C
312342	(03800-205A) Eye Bolt 1/2" x 6"	\$19.98 C
312354	(03800-206A) Wing Nut 1/2" Thread	\$13.98 C

SPECIAL HANDLING MAY APPLY



Flush, Watertight Single Bolt Style Round Manholes



CLEAR OPENING: 17.75". WEIGHT: 70 LBS.

Order No.	Piece No.	Name	Material
	1	Cover	Steel
	2	Coaming	Steel
312417	3	Strong Back	Steel
	4	Bolt, 7/8-9	Stainless Steel
	5	Washer	Brass
	6	Bolt Gasket	Nitrile Rubber
312152	7	Gasket	Nitrile Rubber
	8	Pin	Steel
	9	Cotter Pin	Stainless

Model #	Part #	A	B	C
(UMC-301-20)	08380-101A	20"	17.75"	4"

Order No.	Mfg. No. / Description	Price
310590	(08380-101A)	\$267.98 C
312417	(08380-403A) Strong Back	\$28.98 C
312152	(08380-701A) Gasket	\$30.98 C

Similar to Centex Drawing #301-20.

CLEAR OPENING: 19.75". WEIGHT: 75 LBS.

Order No.	Piece No.	Name	Material
	1	Cover	Steel
	2	Coaming	Steel
312429	3	Strong Back	Steel
	4	Bolt, 7/8-9	Stainless Steel
	5	Washer	Brass
	6	Bolt Gasket	Nitrile Rubber
312164	7	Gasket	Nitrile Rubber
	8	Pin	Steel
	9	Cotter Pin	Stainless

Model #	Part #	A	B	C
(UMC-301-22)	08381-101A	22"	19.75"	4"

Order No.	Mfg. No. / Description	Price
310603	(08381-101A)	\$270.98 C
312429	(08381-403A) Strong Back	\$31.98 C
312164	(08381-701A) Gasket	\$29.98 C

Similar to Centex Drawing #301-22.

HARDWARE KIT

• Consists of: Bolt, washer, gasket, 4 cotter pins and 2 studs.

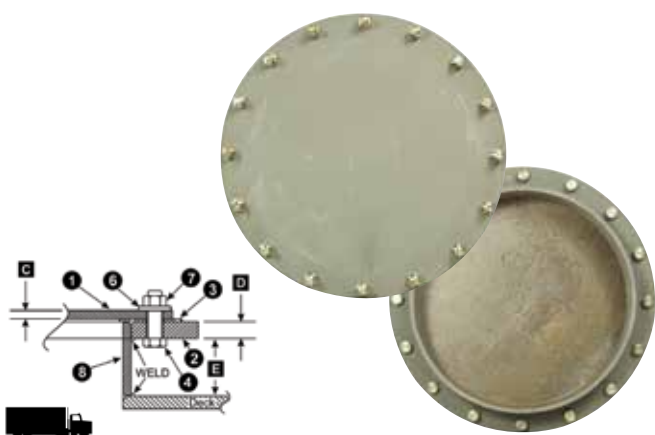
Order No.	Description	Price
312253	(08381-102A)	\$28.98 C

Quick Acting Watertight Round Scuttle



Order No.	Description	Price
577988	(DWG402) 18"	\$1,028.98 LQ

Round Clean-Out Hatch



CLEAR OPENING: 18". WEIGHT: 78 LBS.

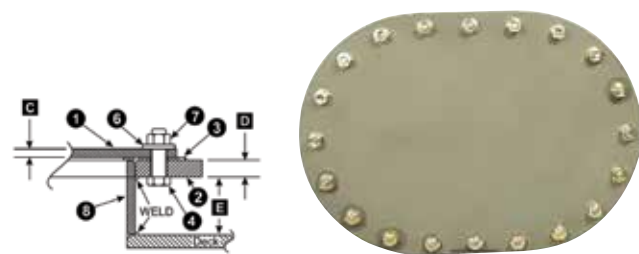
Order No.	Piece No.	Name	Material
	1	Cover	Steel
	2	Deck Ring	Steel
	3	Gasket	Buna
	4	Bolt	
	6	Washer	
	7	Nut	
	8	Coaming	Steel

Model #	Part #	C	D	E
(UMC-154-18)	08450-101A	.393"	.393"	2.5"

Order No.	Mfg. No. / Description	Price
310716	(08450-101A)	\$337.98 C

Similar to Nabrico Part No. DF-154-18 and Centex Drawing 308.

Raised, Bolted Plate Manhole



CLEAR OPENING: 15" x 23". WEIGHT: 85 LBS.

Order No.	Piece No.	Name	Material
	1	Cover	Steel
	2	Deck Ring	Steel
	3	Gasket	Buna
	4	Bolt	
	6	Washer	
	7	Nut	
	8	Coaming	Steel

Model #	Part #	C	D	E
(UMC-154-18)	08450-101A	.393"	.375"	2.5"

Order No.	Mfg. No. / Description	Price
310730	(02570-101A)	\$346.98 C

Similar to Nabrico Part No. DF-501 and Centex Drawing 302.

CLEAR OPENING: 18" x 24".

Order No.	Mfg. No. / Description	Price
578015	(DWG302 18X24)	\$261.90 A

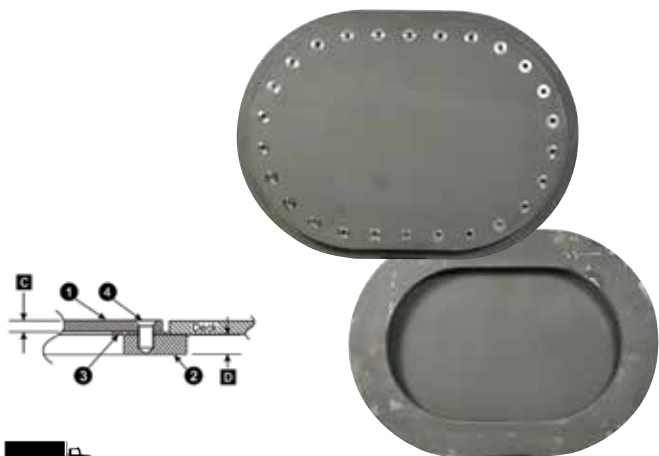
Similar to Centex Drawing 302.



SPECIAL HANDLING MAY APPLY

- Fun & Flotation
- Anchor & Dock
- Safety
- Electronics
- Trolling Motors
- Lighting
- Electrical
- Topside Acc.
- Cockpit & Deck
- Instruments
- Steering, Controls
- Perform.
- Fuel System
- Engine & Parts
- Engine Care
- Propellers
- Seating & Pedestals
- Tops & Covers
- Pumps
- Cleaning & Care
- Paint & Paint Acc.
- Hardware, Fasteners
- Trailering
- Misc.

Flush Multi-Bolt, Watertight Manhole



CLEAR OPENING: 15" x 23". WEIGHT: 160 LBS.

Order No.	Piece No.	Name	Material
	1	Cover	Steel
	2	Deck Ring	Steel
	3	Gasket	Buna
	4	Bolt	

Model #	Part #	C	D
(UMC-505)	02610-101A	.51"	1.125"

Order No. **310627** Mfg. No. / Description (02610-101A) Price **\$529.98 C**

Similar to Centex Drawing 303.

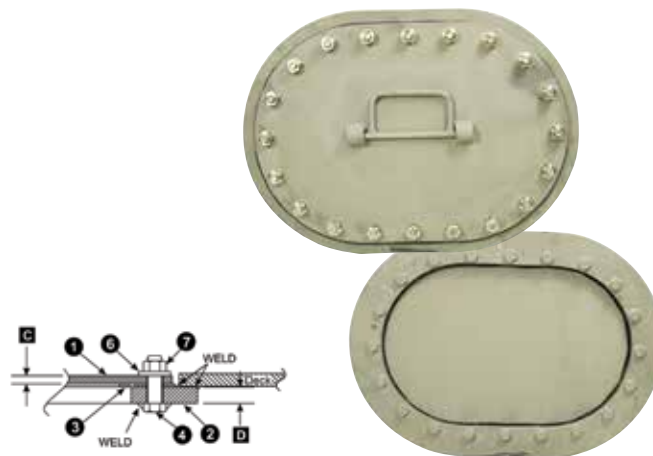
Oval Single Bolt Manhole

CLEAR OPENING: 15" x 23".

Order No. **579707** Description Oval Single Bolt Manhole Price **\$799.98 B**

Similar to Centex Drawing 307.

Flush Multi-Bolt, Watertight Manholes



CLEAR OPENING: 15" x 23". WEIGHT: 95 LBS.

Order No.	Piece No.	Name	Material
	1	Cover	Steel
	2	Deck Ring	Steel
	3	Gasket	Buna
	4	Bolt	
	6	Washer	
	7	Nut	

CLEAR OPENING: 15" x 23". WEIGHT: 95 LBS.

Model #	Part #	C	D
(UMC-503)	02590-101A	.393"	.787"

Order No. **310653** Mfg. No. / Description (02590-101A) Price **\$388.98 C**

Similar to Centex Drawing 300.

CLEAR OPENING: 18" x 24". WEIGHT: 112 LBS.

Model #	Part #	C	D
(UMC-504)	02600-101A	.393"	.787"

Order No. **310665** Mfg. No. / Description (02600-101A) Price **\$406.98 C**

Similar to Centex Drawing 300.

Commercial Grade Series Watertight Aluminum Hatches

- Cast Almag-35.
- Stainless steel t-handle.
- Steel ring available.
- Inside/outside opening standard.
- 1/4" height off mounting surface.

ROUND HATCH - STEEL BASE RING - NO HINGE

Order No.	Model #	Opening Size	Cut Out	OD Deck Flange	Extends Below Deck	Weight	Price
259715	(C424-SR)	24"	27"	30-1/2"	7-1/4"	40 lbs.	\$1,398.98 C

OVAL HATCH - ALUMINUM BASE RING - NO HINGE

Order No.	Model #	Opening Size	Cut Out	OD Deck Flange	Extends Below Deck	Weight	Price
259720	(C41524-0)	15" x 24"	17-3/4" x 26-3/4"	21-3/4" x 30-1/2"	5"	34 lbs.	\$721.98 C

OVAL HATCH - ALUMINUM BASE RING - HINGED

Order No.	Model #	Opening Size	Cut Out	OD Deck Flange	Extends Below Deck	Weight	Price
259725	(C41524-H-0)	15" x 24"	20-1/2" x 26-3/4"	23-1/2" x 30-1/2"	5"	34 lbs.	\$808.98 C

SQUARE HATCH - ALUMINUM BASE RING - NO HINGE

Order No.	Model #	Opening Size	Cut Out	OD Deck Flange	Extends Below Deck	Weight	Price
259730	(C42424-0)	24" x 24"	27" x 27"	31" x 31"	7-1/4"	45 lbs.	\$1,147.98 C

ROUND HATCH - ALUMINUM BASE RING - NO HINGE

Order No.	Model #	Opening Size	Cut Out	OD Deck Flange	Extends Below Deck	Weight	Price
259735	(C420-0)	20"	23"	26-1/2"	7-1/4"	23 lbs.	\$746.98 C



SPECIAL HANDLING MAY APPLY

Marpac Raised Multi-bolt Manhole



- Clear opening 15" x 23".
- Similar to Centex drawing 302 or Nabrico part number DF-501.

Order No.	Description	Price
5-0732	Painted, Stainless Steel & Bronze Hardware	\$420.98 C

Baier Lift-Out Flush Hatches with Built-in T-Handle



- This popular strongback hatch design series adds the convenience of a built-in recessed stainless steel T-Handle to the flush-mounted, quick release, lift-out hatch.
- It only has three moving parts to secure the hatch cover to the deck.
- Stainless steel centerbolt and hardware.
- Every unit shipped with an underside escape turning bar for safety.
- Turning wheel optional.
- The deck ring is available in galvanized mild steel (for welding into steel decks), or cast aluminum (for welding into aluminum decks or bolting to fiberglass or wood decks).

Order No.	Description	Price
243410	15" x 24" Aluminum Hatch with Aluminum Ring	\$716.98 C
243422	15" x 24" Aluminum Hatch with Steel Ring	\$716.98 C
243434	20" Aluminum Hatch with Aluminum Ring	\$716.98 C
243446	20" Aluminum Hatch with Steel Ring	\$716.98 C
243484	Hatch Cover Gasket for All Hatches	\$55.98 C

Baier Hinged Flush Hatches with Built-in T-Handle



- This popular strongback hatch design series adds the convenience of a built-in recessed stainless steel T-Handle to the flush-mounted, quick release, lift-out hatch.
- It only has three moving parts to secure the hatch cover to the deck.
- Stainless steel centerbolt and hardware.
- Every unit shipped with an underside escape turning bar for safety.
- Turning wheel optional.
- The deck ring is available in galvanized mild steel (for welding into steel decks), or cast aluminum (for welding into aluminum decks or bolting to fiberglass or wood decks).
- Clear opening: 15" x 24", cover diameter: 17" x 26", deck cut out: 17-1/2" x 26-1/2".

Order No.	Description	Price
243458	15" x 24", Aluminum Hatch with Aluminum Ring	\$796.98 C
243460	15" x 24", Aluminum Hatch with Steel Ring	\$796.98 C
243484	Hatch Cover Gasket for All Hatches	\$55.98 C

Baier Lift-Out Dogged Type Quick Acting Hatches with Built-in T-Handle



- These lightweight, quick acting 4-dog models are ideal for high-traffic closures where speed and ease are paramount, and/or where positive engagement must be visually verificate at a glance.
- Cast from high-grade corrosion-resistant 356 aluminum alloy.
- Multi-Dog "Cam-Lock" positive engagement locking system.
- Adjustable Dog Tensioners that provide equal tension on all points, ensure a water-tight seal.
- Built-in "Never lose" handle.
- Thicker Dog Arms for superior strength.
- Stainless steel T-handle and operating hardware.

Order No.	Description	Price
243488	20" Quick Acting, Aluminum with Steel Ring	\$716.98 C
243493	20" Quick Acting, Aluminum with Aluminum Ring	\$716.98 C
243496	15" x 24" Quick Acting, Aluminum with Steel Ring	\$716.98 C
243498	15" x 24" Quick Acting, Aluminum with Aluminum Ring	\$716.98 C
243484	Hatch Cover Gasket for All Hatches	\$55.98 C

- Fun & Flotation
- Anchor & Dock
- Safety
- Electronics
- Trolling Motors
- Lighting
- Electrical
- Topside Acc.
- Cockpit & Deck
- Instruments
- Steering, Controls
- Perform.
- Fuel System
- Engine & Parts
- Engine Care
- Propellers
- Seating & Pedestals
- Tops & Covers
- Pumps
- Cleaning & Care
- Paint & Paint Acc.
- Hardware, Fasteners
- Trailering
- Misc.



SPECIAL HANDLING MAY APPLY

Baier Internal Hinge Watertight Oval Hatch



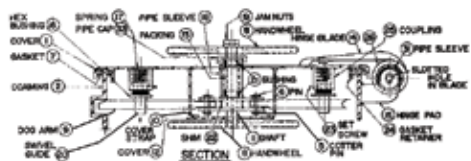
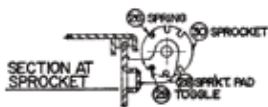
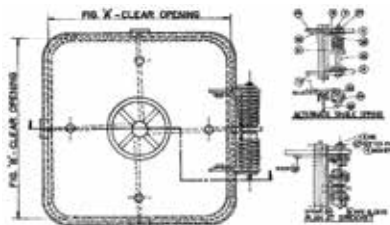
- Opens to 180 degrees-plus.
- Over-center auto stop holds cover securely open at 120 degrees.
- Auto-stop releases quickly with a push-lever.
- Stainless hardware, Delrin slides.
- Works equally well in flush deck or vertical mount positions - perfect for a lazarette hatch-door.
- Thicker Dog Arms for superior strength.
- Positive visual verification: When the handle is down, the hatch is secured.
- Inside escape bar on all units (optional inside turning wheel available).
- Subtle design improvements make the BFHQ stronger, more water-tight than our competitors' similar units.

Order No.	Mfg. No. / Description	Price
243499	(BFHQH15X24) Quick Acting Aluminum, 15" x 24"	\$1,018.98 C

Complete Hatch Assembly

Order No.	Mfg. No. / Description	Price
577986	(202 24X24X24) 24" x 24" x 24" ABS Steel	\$3,307.98 B
577902	(DWG201) 36" x 36" WATERTIGHT DR 6°C	\$1,402.98 LQ

Replacement Hinge and Spring Assembly for Centex #202



Order No.	Mfg. No. / Description	Price
279352	(HR202) Replace Hinge & Spring Assembly	\$833.98 B

Replacement Door Gaskets

Order No.	Description	Price
427903	Size: 3/4" x 1" 100' Lengths Only	\$6.98 B
427941	Size: 3/4" x 1-1/4" 100' Lengths Only	\$7.98 B
427943	Size: 5/8" x 1-1/4" 100' Lengths Only	\$6.98 B

Replacement Accessories

Order No.	Description	Price
279340	Replacement Door Hinge Pin Kit	\$29.98 B
279358	Replacement Shim for Watertight Door Dog	\$4.52 B
279364	Replacement Nylon Door Dog Bushing	\$9.98 B

Baier Square Flush Hatches with Built-in T-Handle



243470



243465



- This popular strongback hatch design series adds the convenience of a built-in recessed stainless steel T-Handle to the flush-mounted, quick release, lift-out hatch.
- It only has three moving parts to secure the hatch cover to the deck.
- Every unit shipped with an underside escape turning bar for safety.
- Stainless steel centerbolt and hardware.
- Turning wheel optional.
- The deck ring is available in galvanized mild steel (for welding into steel decks), or cast aluminum (for welding into aluminum decks or bolting to fiberglass or wood decks).
- Coamings are optional.
- Clear opening: 24" x 24", cover diameter: 26" x 26", deck cut out: 26-1/2" x 26-1/2".

Order No.	Description	Price
243465	24" x 24" Quick Acting Aluminum Hatch with Alum. Ring	\$1,198.98 C
243466	24" x 24" Internal Hinge Aluminum Hatch with Steel Ring	\$1,326.98 C
243470	24" x 24" Hinged, Alum. Hatch with Alum. Ring	\$1,248.98 C

Steel Handwheels for Steel Doors

CLOCKWISE

Order No.	Description	Price
313700	12"	\$43.98 C
313748	15-1/2"	\$53.98 C

COUNTER LOCKWISE

Order No.	Description	Price
313712	12"	\$43.98 C
313750	15-1/2"	\$53.98 C



Door Dogs for Steel and Aluminum Doors

Order No.	Description	Price
313510	Steel, Left Hand	\$49.98 C
313522	Steel, Right Hand	\$49.98 C



Marpac Door Handle Assembly

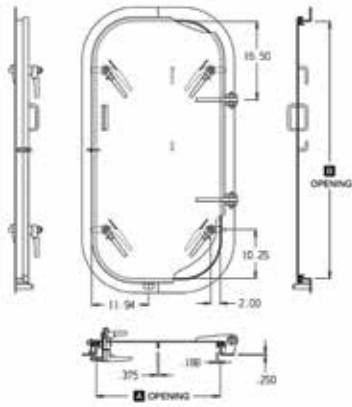


Order No.	Description	Price
5-0030	Aluminum, Left Hand	\$47.98 C
5-0031	Aluminum, Right Hand	\$47.98 C
5-0040	304 Stainless Steel, Left Hand	\$123.98 C
5-0041	304 Stainless Steel, Right Hand	\$123.98 C
5-0045	Galvanized Handle with 304 SS Shaft, Left Hand	\$82.98 C
5-0046	Galvanized Handle with 304 SS Shaft, Right Hand	\$82.98 C
5-0047	Galvanized Steel, Left Hand	\$46.98 C
5-0048	Galvanized Steel, Right Hand	\$46.98 C

SPECIAL HANDLING MAY APPLY



Commercial Watertight Doors - All Steel

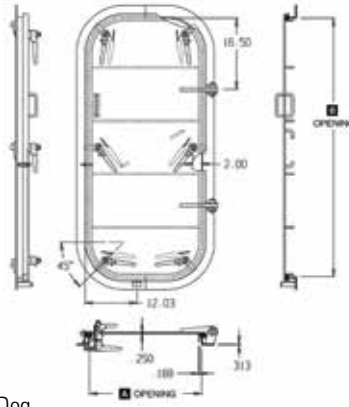


- 4 Dog.
- Standard grade.
- Similar to Centex Drawing 101.



Order No.	Description	Price
312859	26" x 54", RH	\$1,623.98 B
312861	26" x 54", LH	\$1,623.98 B
312873	26" x 60", RH	\$1,681.98 B
312885	26" x 60", LH	\$1,681.98 B
312897	30" x 60", RH	\$1,756.98 B
312900	30" x 60", LH	\$1,756.98 B

Commercial Watertight Doors - All Steel

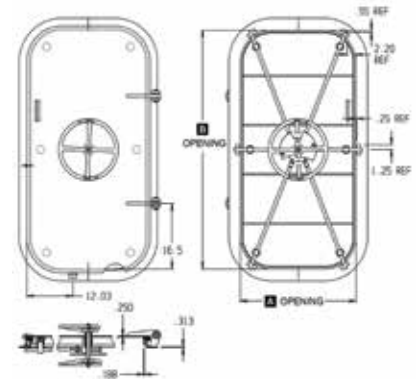


- 6 Dog.
- ABS grade.
- Similar to Centex Drawing 102.



Order No.	Description	Price
313128	26" x 60", RH	\$1,749.98 C
313130	26" x 60", LH	\$1,749.98 C
313180	30" x 60", RH	\$1,809.98 C
313192	30" x 60", LH	\$1,809.98 C
313205	30" x 66", RH	\$1,854.98 C
313217	30" x 66", LH	\$1,854.98 C
313229	30" x 72", RH	\$1,931.98 C
313231	30" x 72", LH	\$1,931.98 C

Commercial Quick Acting Watertight Doors - All Steel



- 6 Dog.
- ABS grade.
- Similar to Centex Drawing 104.

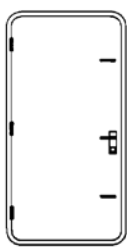


Order No.	Description	Price
313255	26" x 60", RH	\$2,139.98 C
313267	26" x 60", LH	\$2,139.98 C
313279	30" x 60", RH	\$2,214.98 C
313281	30" x 60", LH	\$2,214.98 C
313293	30" x 66", RH	\$2,377.98 C
313306	30" x 66", LH	\$2,377.98 C
313318	30" x 72", RH	\$2,428.98 C
313320	30" x 72", LH	\$2,428.98 C

Diamond/Sea Glaze Doors



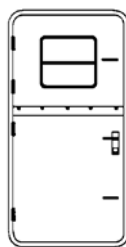
Diamond/Sea Glaze Doors are available in bolt-in or weld-in style frames with radiused or mitred corners.



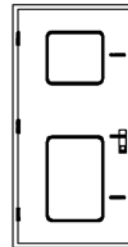
1R



1M



6R



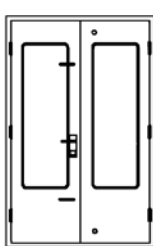
4M



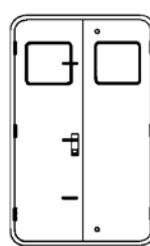
6JM



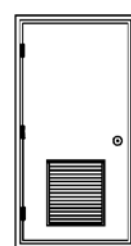
1JM



10M



10M



4JM

Many other models available specify size and handage.

Aluminum frames - skin, mill finish, anodized powder coat or wet paint Single panel, dutch style, french and sliding doors.

Door windows available (several styles).

Call for prices and availability.

Diamond Sea Glaze Latch Bolt Spring

Order No.	Mfg. No. / Description	Price
327610	(HWLS8900834) Latch Bolt Spring	\$13.98 LQ



Diamond Sea Glaze Window Fixed Tempered

Order No.	Mfg. No. / Description	Price
327601	(DSGD15) 57.25 x 26.95	\$784.98 LQ

Diamond Sea Glaze Window Horizontal Slider

Order No.	Mfg. No. / Description	Price
327600	(WD-D15) 58.13 x 27.3	\$1,217.98 LQ

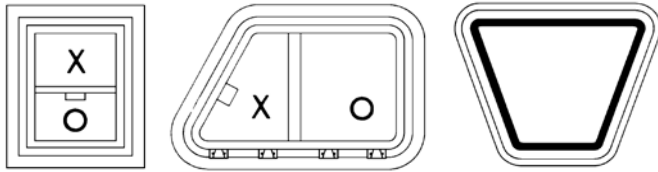


SPECIAL HANDLING MAY APPLY

- Fun & Flotation
- Anchor & Dock
- Safety
- Electronics
- Trolling Motors
- Lighting
- Electrical
- Topside Acc.
- Cockpit & Deck
- Instruments
- Steering, Controls
- Perform.
- Fuel System
- Engine & Parts
- Engine Care
- Propellers
- Seating & Pedestals
- Tops & Covers
- Pumps
- Cleaning & Care
- Paint & Paint Acc.
- Hardware, Fasteners
- Trailering
- Misc.

Diamond/Sea Glaze – Quality Closures Fabricated to a Wide Variety of Shapes and Sizes

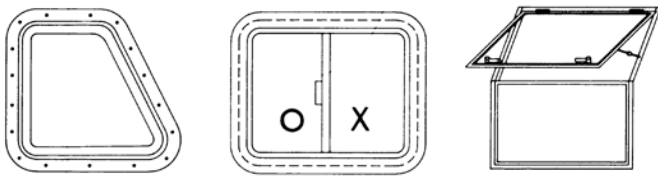
Medium Duty Windows - D5, D5/10, D15 Series



D15 Vert. Slider D15 Slider D5 Fixed

- A durable 1/4" glass slider with either 1/4" or 3/8" glass fixed window.
- Excellent for both motor and sailing vessels.
- Cost efficient.
- Available in 3 different radii (2-1/2", 3" and 3-1/2") and/or mitered corners.

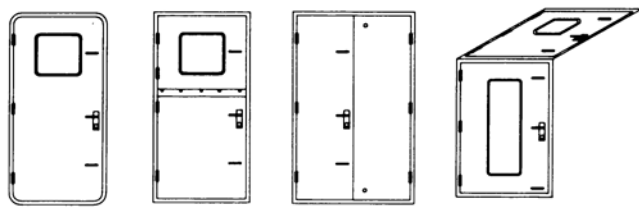
Heavy Duty Windows - 200F, 400 Series, 150 and 350 Hinged



200 Fixed 400 Slider 350-2 Panel Hinged

- True offshore windows capable of taking glass to 3/4" (including sliding thermopane sealed units).
- Windows can be either bolted-in or welded.
- Available in 3" radius or mitered corners.

Heavy Duty Weathertight Doors - 200 and 250 Series



R250 Solid M250 Dutch M250 French M250 Angled

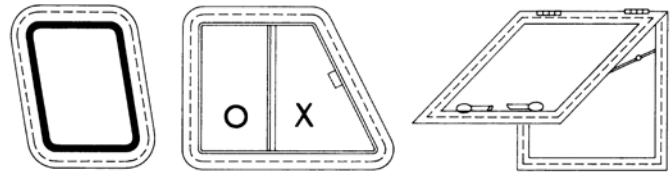
- Strong hinged doors meeting CSI specifications for strength and magnitude.
- Available in channel or welded construction with either radius or mitered corners.

Wynne Sliding Window



- Heavy duty satin finish.
- Anodized or black painted aluminum frame construction.
- 7/32" laminated 1/4", 3/8" or 1/2" tempered safety glass.
- Clear or tinted glass.
- Vinyl weather seals.
- 3' Radius corners only.
- Positive locking handle, riveted in place.
- Available in any size or shape.
- Horizontal or vertical sliding.
- With or without stationary screen.
- Clamp ring mounting for 1/8" thru 2-1/2" walls.
- All stainless steel hardware.
- 5/8" flange.

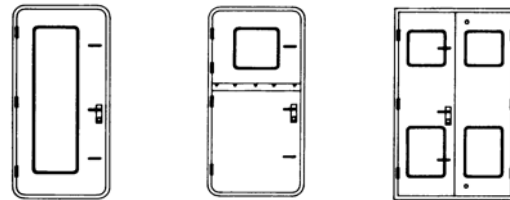
Commercial Duty Windows - 106 Series



106 Fixed 106 Slider 106 Hinged

- A heavier series of extrusions able to take up to 1/2" glass in the fixed and 3/8" in the sliding window.
- Unique design features glass in its own aluminum reinforced vent for higher durability and security.
- Available in 3" radius and/or mitered corners.

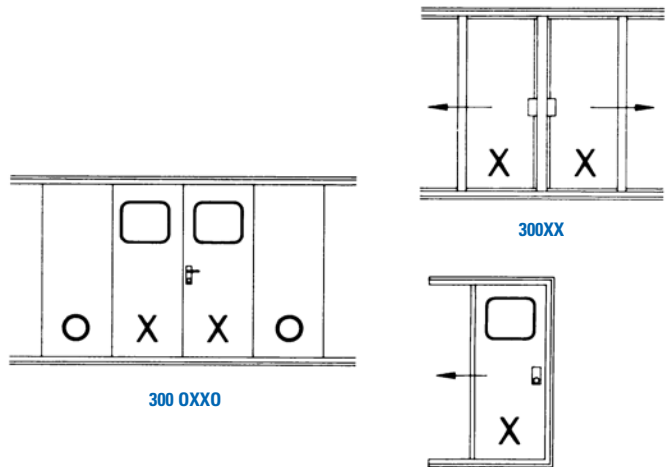
Commercial Duty Weathertight Doors - 150 Series



R150 Solid R150 Dutch M150 French

- An excellent double aluminum skin channel construction hinged door series for high traffic areas such as: Pilot/wheel house, galley, cabin/staterooms, engine room or main deck areas.
- A cost efficient door for both commercial and yacht applications.

Sliding Weathertight Doors - 300 Series



300 OXXO

300XX

300X

- Both frame and door panels are welded construction to fit customers' openings.
- Angled and/or multi opening panels available.
- Mitered corners only.

Diamond Sea Windows



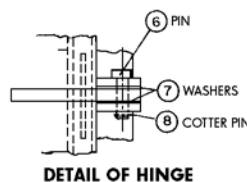
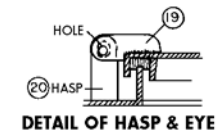
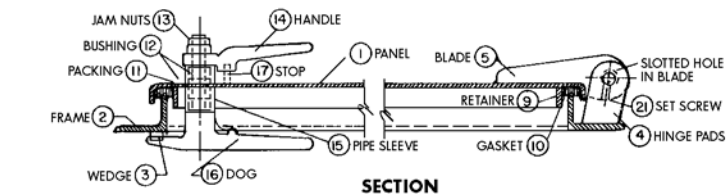
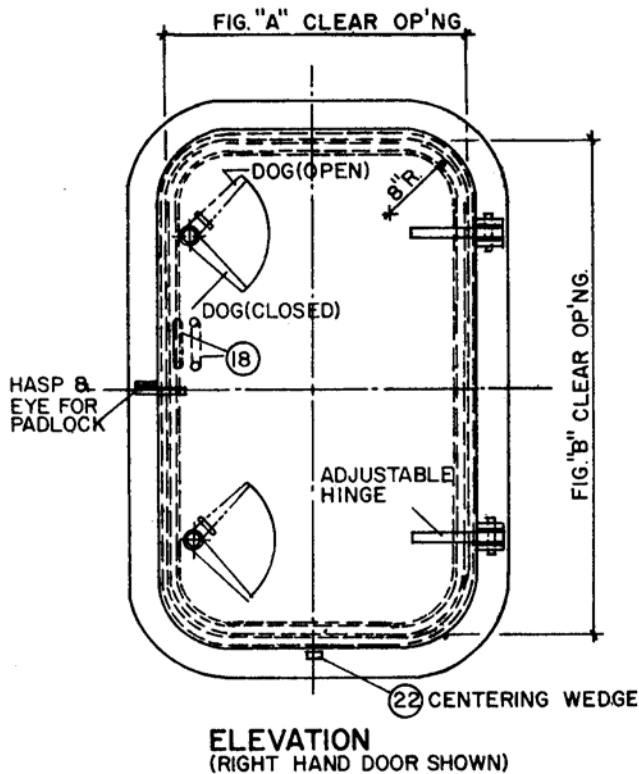
Order No.	Mfg. No. / Description	Price
327589	(310) 44" W x 32" H	\$694.98 B

Order No.	Mfg. No. / Description	Price
327658	(WVD-106T) WINDOW,AL,HINGED,28X23"	\$1,254.98 LQ
855950	(440T002) MARINE WINDOW BUTYL TAPE	\$35.98 LQ

Items are stocked in our warehouses based on regional demand. If an item is out of stock in your local warehouse, additional charges may apply.

- Fun & Flotation
- Anchor & Dock
- Safety
- Electronics
- Trolling Motors
- Lighting
- Electrical
- Topside Acc.
- Cockpit & Deck
- Instruments
- Steering, Controls
- Perform.
- Fuel System
- Engine & Parts
- Engine Care
- Propellers
- Seating & Pedestals
- Tops & Covers
- Pumps
- Cleaning & Care
- Paint & Paint Acc.
- Hardware, Fasteners
- Trailer
- Misc.

Gastight and Weathertight Door with Two Dogs



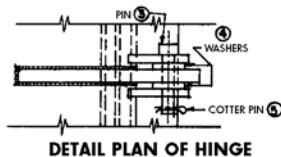
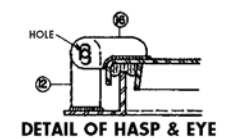
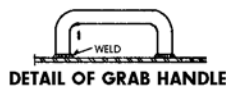
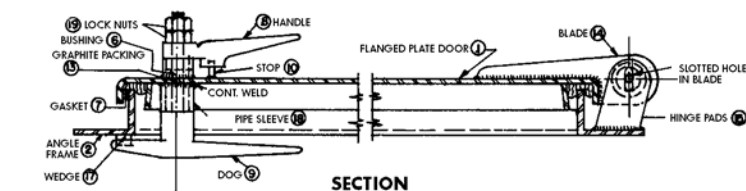
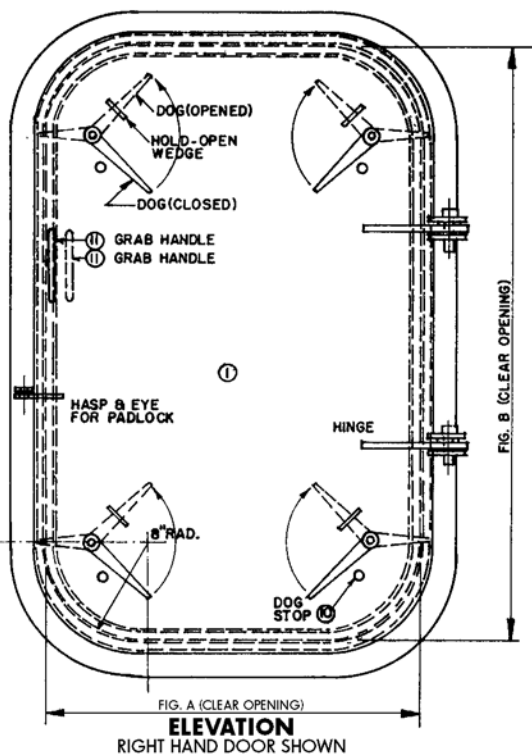
Drawing Number 100

Schedule Of Materials

Pc. No.	Material	Pc. No.	Material
1	Mild Steel	12	Delrin
2	Do.	13	Mild Steel
3	Do.	14	Frg. Steel
4	Do.	15	Mild Steel
5	Do.	16	Frg. Steel
6	Brass	17	Mild Steel
7	Do.	18	Do.
8	Do.	19	Do.
9	Mild Steel	20	Do.
10	Neoprene	21	Steel
11	Graphite	22	Do.

- Fun & Flotation
- Anchor & Dock
- Safety
- Electronics
- Trolling Motors
- Lighting
- Electrical
- Topside Acc.
- Cockpit & Deck
- Instruments
- Steering, Controls
- Perform.
- Fuel System
- Engine & Parts
- Engine Care
- Propellers
- Seating & Pedestals
- Tops & Covers
- Pumps
- Cleaning & Care
- Paint & Paint Acc.
- Hardware, Fasteners
- Trailer
- Misc.

Watertight Door with Four Dogs

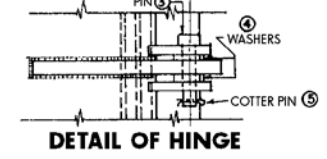
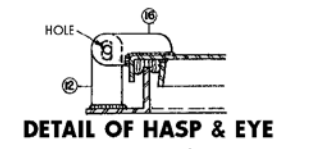
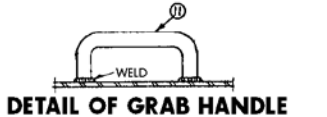
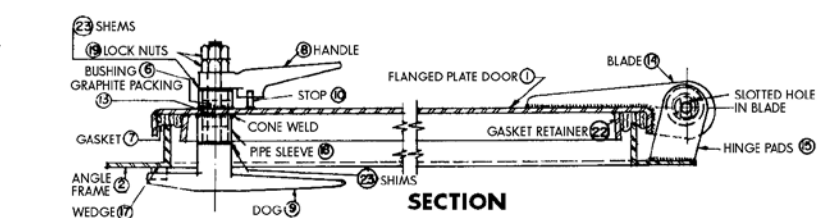
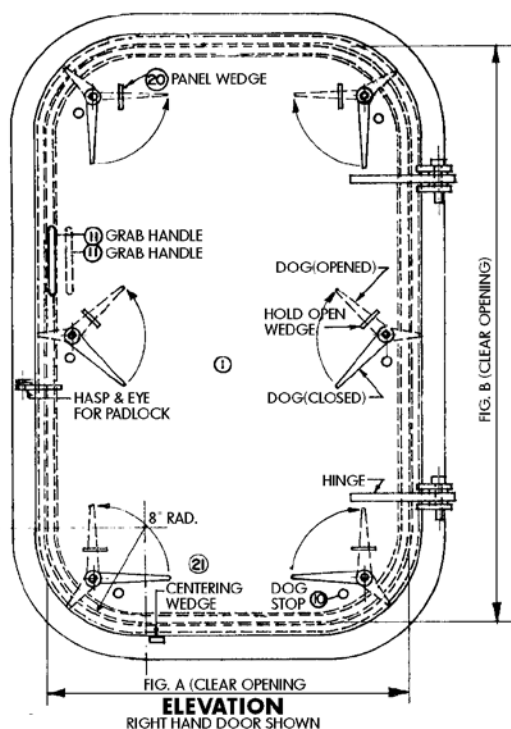


Drawing Number 101

Schedule Of Materials

Pc. No.	Material	Pc. No.	Material
1	Mild Steel	11	Mild Steel
2	Mild Steel	12	Mild Steel
3	Brass	13	Graphite
4	Brass	14	Mild Steel
5	Brass	15	Mild Steel
6	Delrin	16	Mild Steel
7	Neoprene	17	Mild Steel
8	Frg. Steel	18	Mild Steel
9	Frg. Steel	19	Mild Steel
10	Mild Steel		

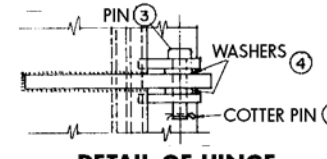
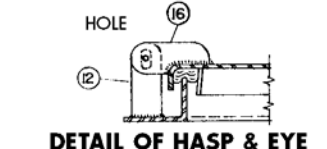
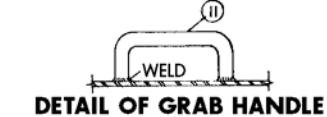
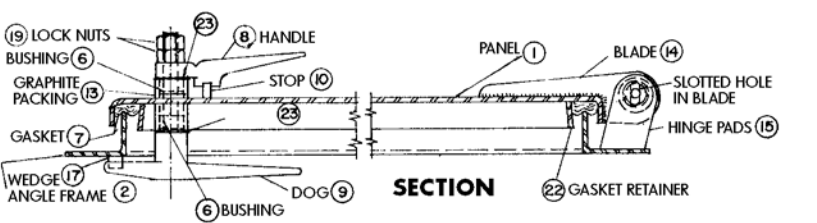
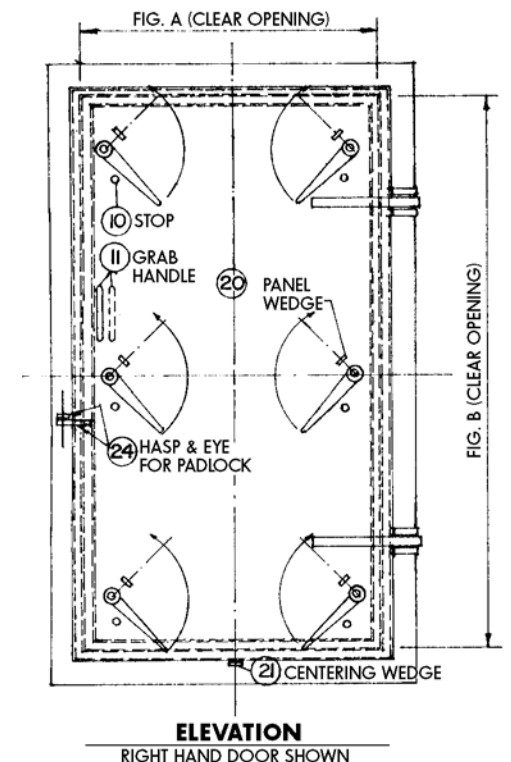
Watertight Door with Six Dogs



Drawing Number 102
Schedule Of Materials

Pc. No.	Material	Pc. No.	Material
1	Mild Steel	13	Graphite
2	Mild Steel	14	Mild Steel
3	Brass	15	Mild Steel
4	Brass	16	Mild Steel
5	Brass	17	Mild Steel
6	Delrin	18	Mild Steel
7	Neoprene.	19	Mild Steel
8	Frg. Steel	20	Mild Steel
9	Frg. Steel	21	Mild Steel
10	Mild Steel	22	Mild Steel
11	Mild Steel	23	Brass
12	Mild Steel		

Watertight Square Door with Six Dogs



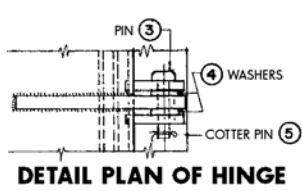
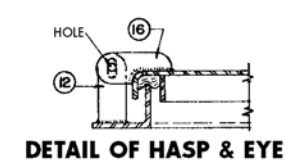
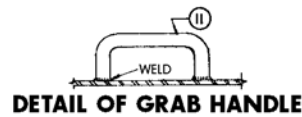
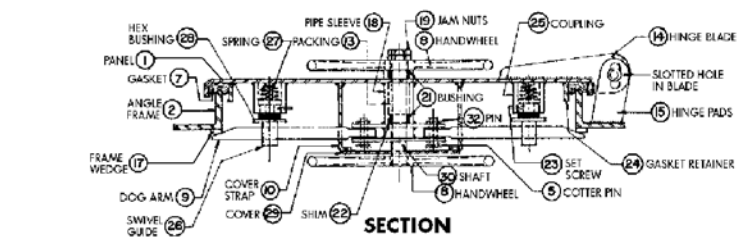
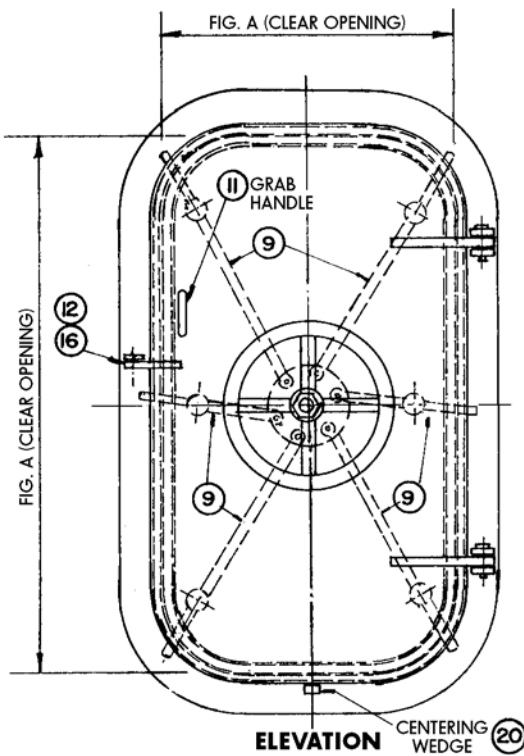
Drawing Number 103
Schedule Of Materials

Pc. No.	Material	Pc. No.	Material
1	Mild Steel	13	Graphite
2	Mild Steel	14	Mild Steel
3	Brass	15	Mild Steel
4	Brass	16	Mild Steel
5	Mild Steel	17	Mild Steel
6	Delrin	18	Mild Steel
7	Neoprene.	19	Mild Steel
8	Frg. Steel	20	Mild Steel
9	Frg. Steel	21	Mild Steel
10	Mild Steel	22	Mild Steel
11	Mild Steel	23	Brass
12	Mild Steel	24	Mild Steel

- Fun & Flotation
- Anchor & Dock
- Safety
- Electronics
- Trolling Motors
- Lighting
- Electrical
- Topside Acc.
- Cockpit & Deck
- Instruments
- Steering, Controls
- Perform.
- Fuel System
- Engine & Parts
- Engine Care
- Propellers
- Seating & Pedestals
- Tops & Covers
- Pumps
- Cleaning & Care
- Paint & Paint Acc.
- Hardware, Fasteners
- Trailering
- Misc.

- Fun & Flotation
- Anchor & Dock
- Safety
- Electronics
- Trolling Motors
- Lighting
- Electrical
- Topside Acc.
- Cockpit & Deck
- Instruments
- Steering, Controls
- Perform.
- Fuel System
- Engine & Parts
- Engine Care
- Propellers
- Seating & Pedestals
- Tops & Covers
- Pumps
- Cleaning & Care
- Paint & Paint Acc.
- Hardware, Fasteners
- Trailerling
- Misc.

Quick Acting Watertight Door

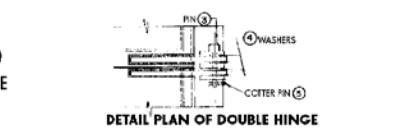
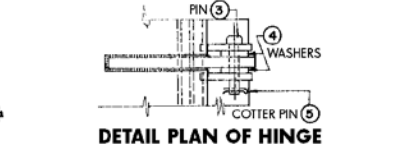
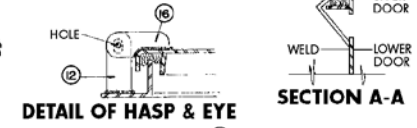
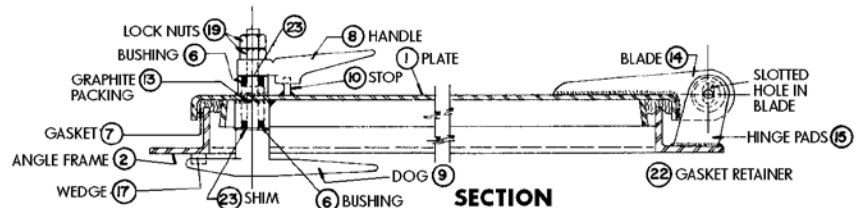
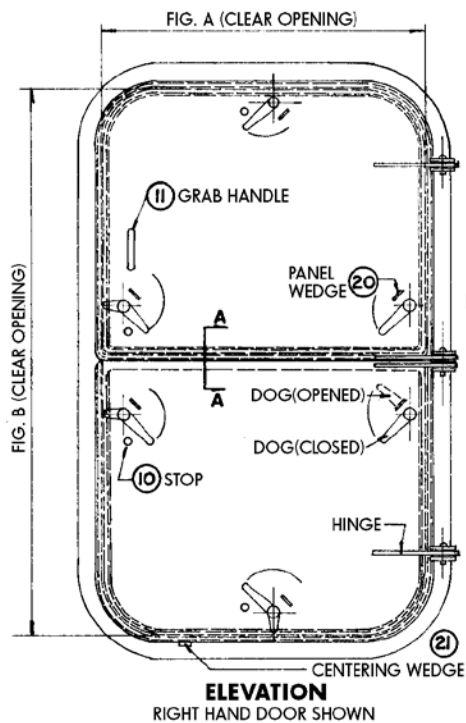


Drawing Number 104

Schedule Of Materials

Pc. No.	Material	Pc. No.	Material
1	Mild Steel	17	Mild Steel
2	Mild Steel	18	Mild Steel
3	Brass	19	Mild Steel
4	Brass	20	Mild Steel
5	Brass	21	Delrin
6	Mild Steel	22	Brass
7	Neoprene	23	Mild Steel
8	Mild Steel	24	Mild Steel
9	Mild Steel	25	Mild Steel
10	Mild Steel	26	Brass
11	Mild Steel	27	Mild Steel
12	Mild Steel	28	Mild Steel
13	Graphite	29	Mild Steel
14	Mild Steel	30	C.F. Steel
15	Mild Steel	31	Mild Steel
16	Mild Steel		

Watertight Dutch Door with Six Dogs

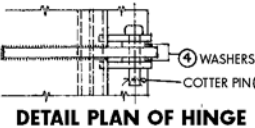
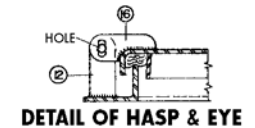
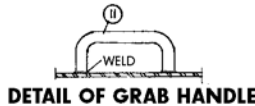
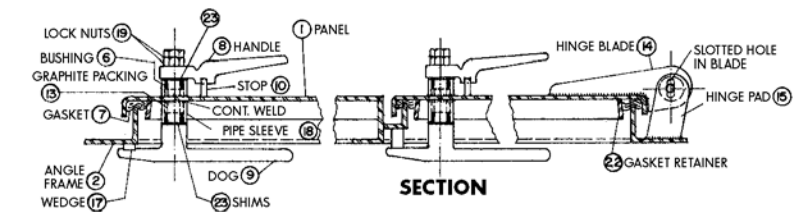
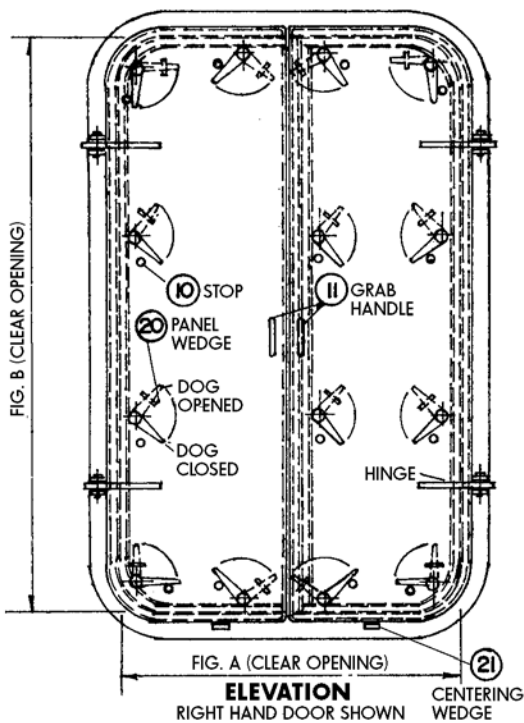


Drawing Number 105

Schedule Of Materials

Pc. No.	Material	Pc. No.	Material
1	Mild Steel	13	Graphite
2	Mild Steel	14	Mild Steel
3	Brass	15	Mild Steel
4	Brass	16	Mild Steel
5	Mild Steel	17	Mild Steel
6	Delrin	18	Mild Steel
7	Neoprene	19	Mild Steel
8	Frg. Steel	20	Mild Steel
9	Frg. Steel	21	Mild Steel
10	Mild Steel	22	Mild Steel
11	Mild Steel	23	Brass
12	Mild Steel		

Watertight Door with Six Dogs

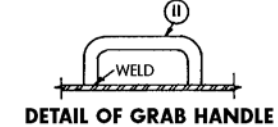
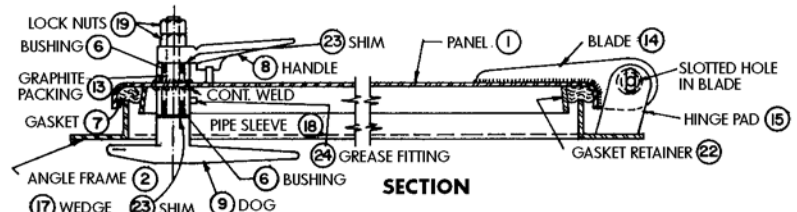
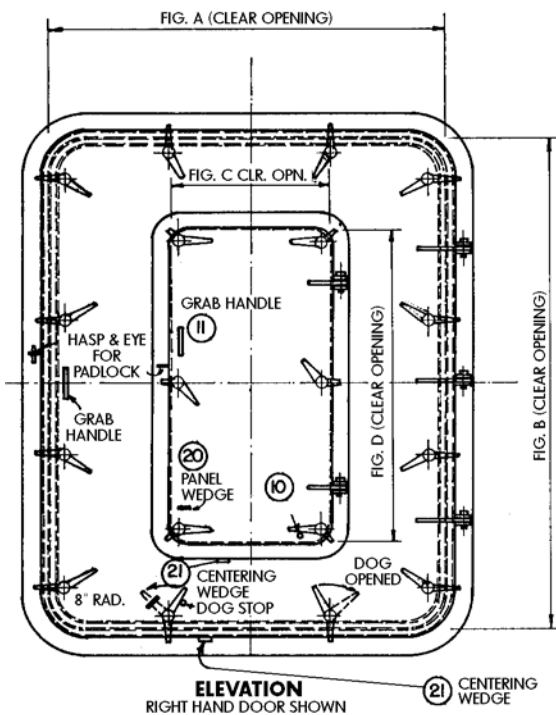


Drawing Number 106
Schedule Of Materials

Pc. No.	Material	Pc. No.	Material
1	Mild Steel	13	Graphite
2	Mild Steel	14	Mild Steel
3	Brass	15	Mild Steel
4	Brass	16	Mild Steel
5	Mild Steel	17	Mild Steel
6	Delrin	18	Mild Steel
7	Neoprene	19	Mild Steel
8	Frg. Steel	20	Mild Steel
9	Frg. Steel	21	Mild Steel
10	Mild Steel	22	Mild Steel
11	Mild Steel	23	Brass
12	Mild Steel		

- Fun & Flotation
- Anchor & Dock
- Safety
- Electronics
- Trolling Motors
- Lighting
- Electrical
- Topside Acc.
- Cockpit & Deck
- Instruments
- Steering, Controls
- Perform.
- Fuel System
- Engine & Parts
- Engine Care
- Propellers
- Seating & Pedestals
- Tops & Covers
- Pumps
- Cleaning & Care
- Paint & Paint Acc.
- Hardware, Fasteners
- Trailering
- Misc.

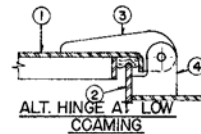
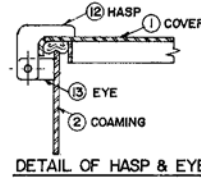
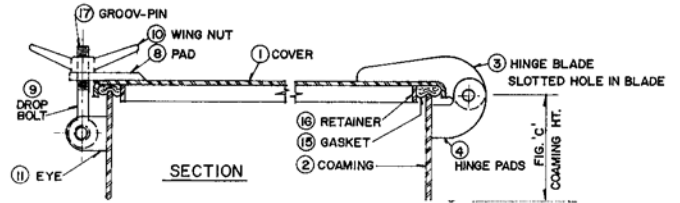
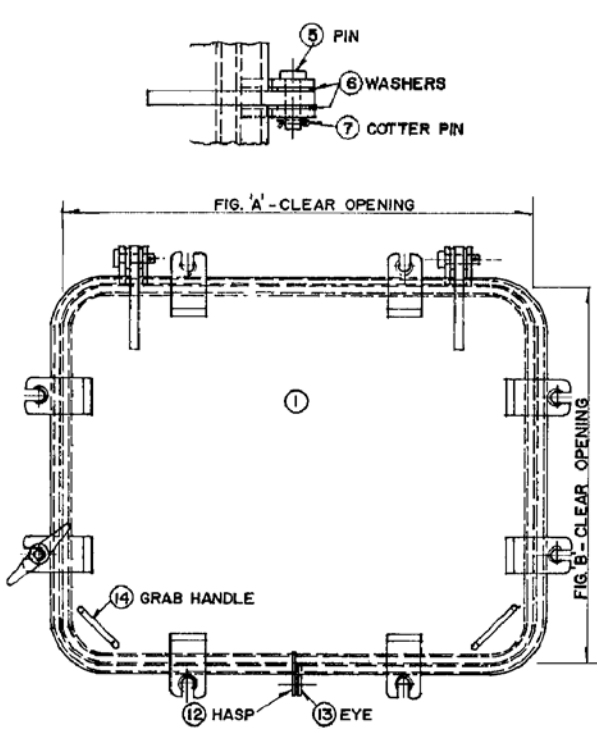
Watertight Door - Personal and Equipment



Drawing Number 107
Schedule Of Materials

Pc. No.	Material	Pc. No.	Material
1	Mild Steel	13	Graphite
2	Mild Steel	14	Mild Steel
3	Brass	15	Mild Steel
4	Stainless	16	Mild Steel
5	Stainless	17	Frg. Steel
6	Delrin	18	Mild Steel
7	Neoprene	19	Mild Steel
8	Frg. Steel	20	Mild Steel
9	Frg. Steel	21	Mild Steel
10	Mild Steel	22	Mild Steel
11	Mild Steel	23	Stainless
12	Mild Steel	24	Plated Steel

Watertight Hatch with Drop Bolts



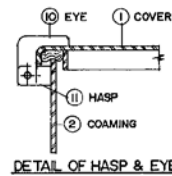
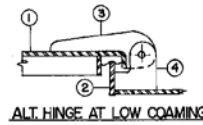
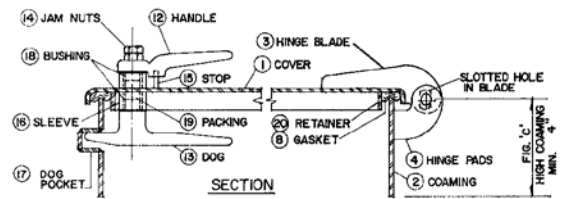
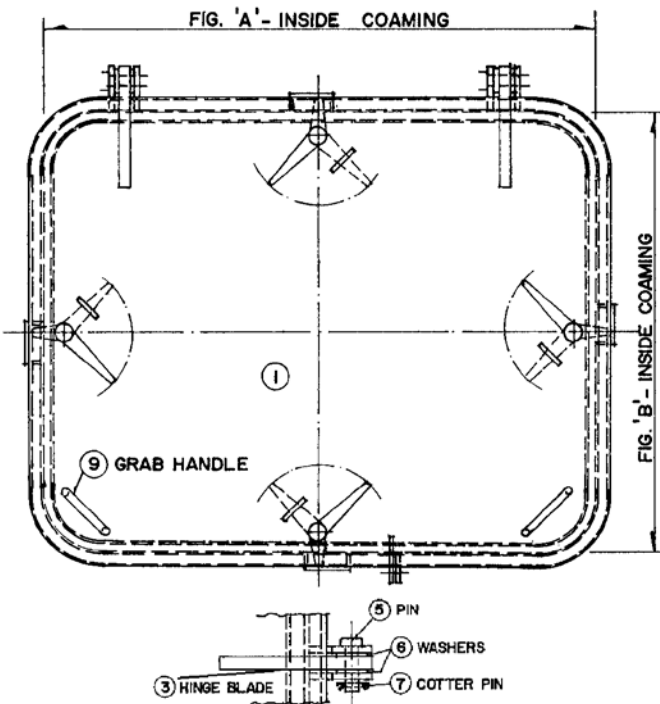
Custom Built Item - Specify Size

Drawing Number 200

Schedule Of Materials

Pc. No.	Material	Pc. No.	Material
1	Mild Steel	10	Bronze
2	Mild Steel	11	Mild Steel
3	Mild Steel	12	Mild Steel
4	Mild Steel	13	Mild Steel
5	Brass	14	Mild Steel
6	Brass	15	Neoprene
7	Brass	16	Mild Steel
8	Mild Steel	17	Stainless
9	Bronze	18	Brass

Watertight Hatch



Custom Built Item - Specify Size

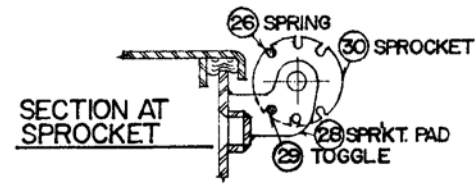
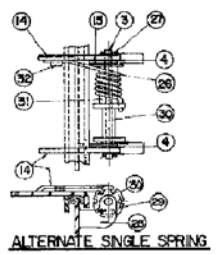
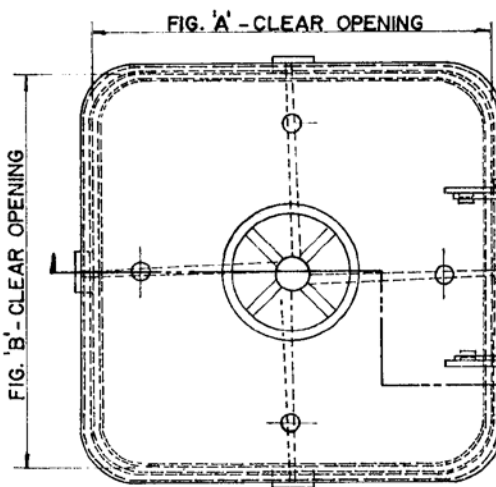
Drawing Number 201

Schedule Of Materials

Pc. No.	Material	Pc. No.	Material
1	Mild Steel	12	Frg. Steel
2	Mild Steel	13	Frg. Steel
3	Mild Steel	14	Steel
4	Mild Steel	15	Steel
5	Brass	16	Steel
6	Brass	17	Steel
7	Brass	18	Delrin
8	Neoprene	19	Graphite
9	Steel	20	Mild Steel
10	Mild Steel		
11	Mild Steel		

- Fun & Flotation
- Anchor & Dock
- Safety
- Electronics
- Trolling Motors
- Lighting
- Electrical
- Topside Acc.
- Cockpit & Deck
- Instruments
- Steering, Controls
- Perform.
- Fuel System
- Engine & Parts
- Engine Care
- Propellers
- Seating & Pedestals
- Tops & Covers
- Pumps
- Cleaning & Care
- Paint & Paint Acc.
- Hardware, Fasteners
- Trailering
- Misc.

Spring Balance Quick Acting Watertight Hatch



Custom Built Item - Specify Size

Drawing Number 202

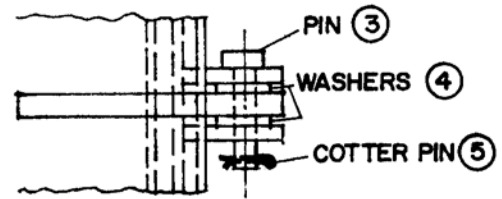
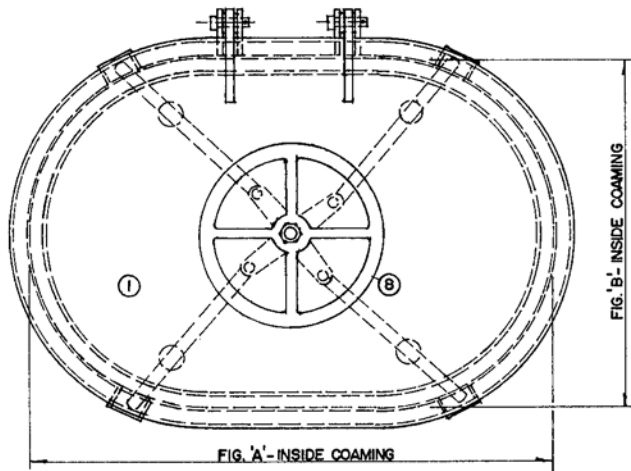
Schedule Of Materials

Pc. No.	Material	Pc. No.	Material
1	Mild Steel	18	Mild Steel
2	Mild Steel	19	Mild Steel
3	Cold Finish	20	Brass
4	Brass	21	Delrin
5	Brass	22	Brass
6	Brass	23	Steel
7	Neoprene	24	Mild Steel
8	Mild Steel	25	Mild Steel
9	Mild Steel	26	Spring Steel
10	Mild Steel	27	Brass
11	Cold Finish	28	Mild Steel
12	Mild Steel	29	Mild Steel
13	Graphite	30	Mild Steel
14	Mild Steel	31	Mild Steel
15	Mild Steel	32	Mild Steel
16	Mild Steel	33	Mild Steel
17	Spring Steel		

Replacement Hinge and Spring Assembly for Centex #202

Order No.	Mfg. No. / Description	Price
279352	(HR202)	POR

Quick Acting Watertight Hatch

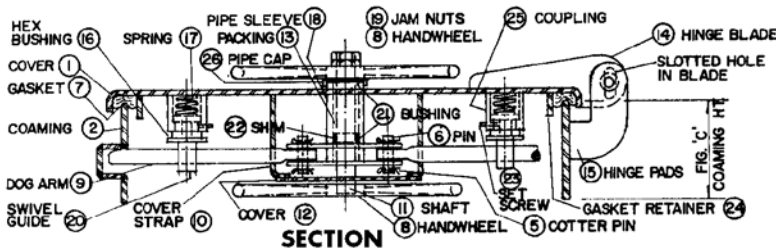


Custom Built Item - Specify Size

Drawing Number 203

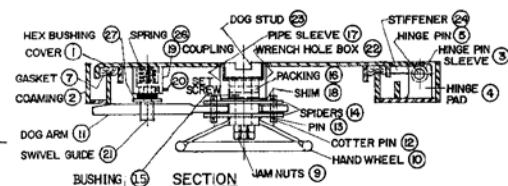
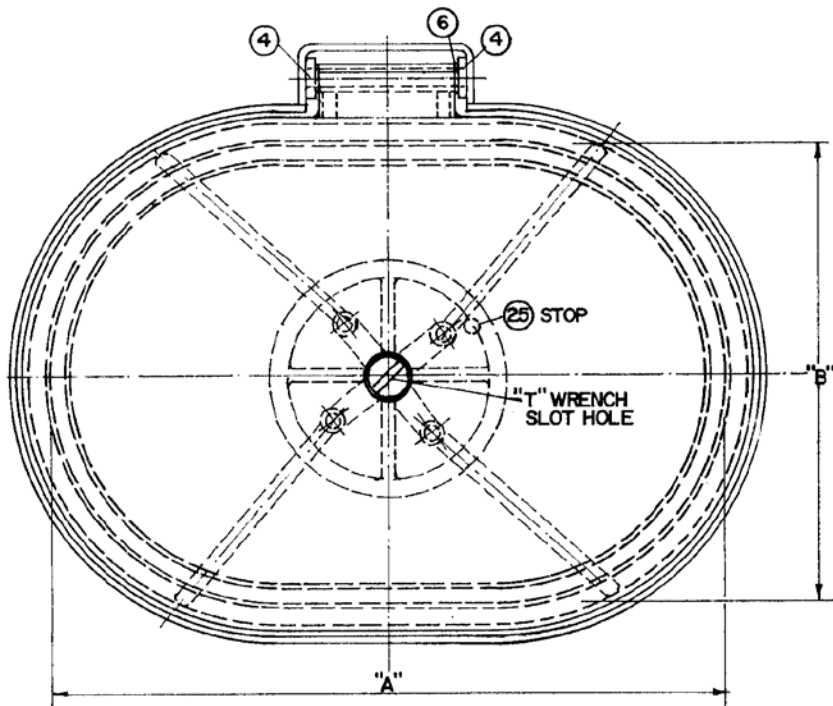
Schedule Of Materials

Pc. No.	Material	Pc. No.	Material
1	Mild Steel	14	Mild Steel
2	Mild Steel	15	Mild Steel
3	Brass	16	Mild Steel
4	Brass	17	Spring Steel
5	Brass	18	Mild Steel
6	Brass	19	Mild Steel
7	Neoprene	20	Brass
8	Mild Steel	21	Delrin
9	Mild Steel	22	Brass
10	Mild Steel	23	Steel
11	Cold Finish	24	Mild Steel
12	Mild Steel	25	Mild Steel
13	Graphite	26	Mild Steel



- Fun & Flotation
- Anchor & Dock
- Safety
- Electronics
- Trolling Motors
- Lighting
- Electrical
- Topside Acc.
- Cockpit & Deck
- Instruments
- Steering, Controls
- Perform.
- Fuel System
- Engine & Parts
- Engine Care
- Propellers
- Seating & Pedestals
- Tops & Covers
- Pumps
- Cleaning & Care
- Paint & Paint Acc.
- Hardware, Fasteners
- Trailer
- Misc.

Quick Acting Oval Watertight Hatch



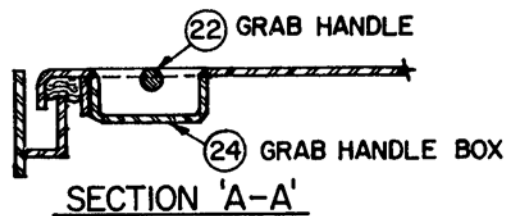
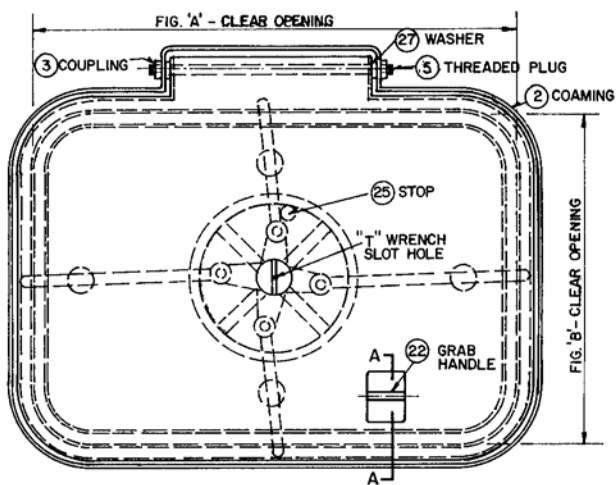
Custom Built Item - Specify Size

Drawing Number 204

Schedule Of Materials

Pc. No.	Material	Pc. No.	Material
1	Mild Steel	15	Delrin
2	Mild Steel	16	Graphite
3	Mild Steel	17	Mild Steel
4	Mild Steel	18	Brass
5	Cold Finish	19	Mild Steel
6	Brass	20	Mild Steel
7	Neoprene	21	Brass
8	Mild Steel	22	Mild Steel
9	Mild Steel	23	Brass
10	Mild Steel	24	Mild Steel
11	Mild Steel	25	Mild Steel
12	Brass	26	Spring Steel
13	Brass	27	Mild Steel
14	Mild Steel		

Quick Acting Watertight Flush Hatch

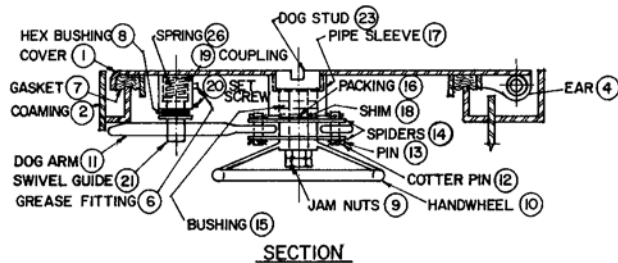


Custom Built Item - Specify Size

Drawing Number 205

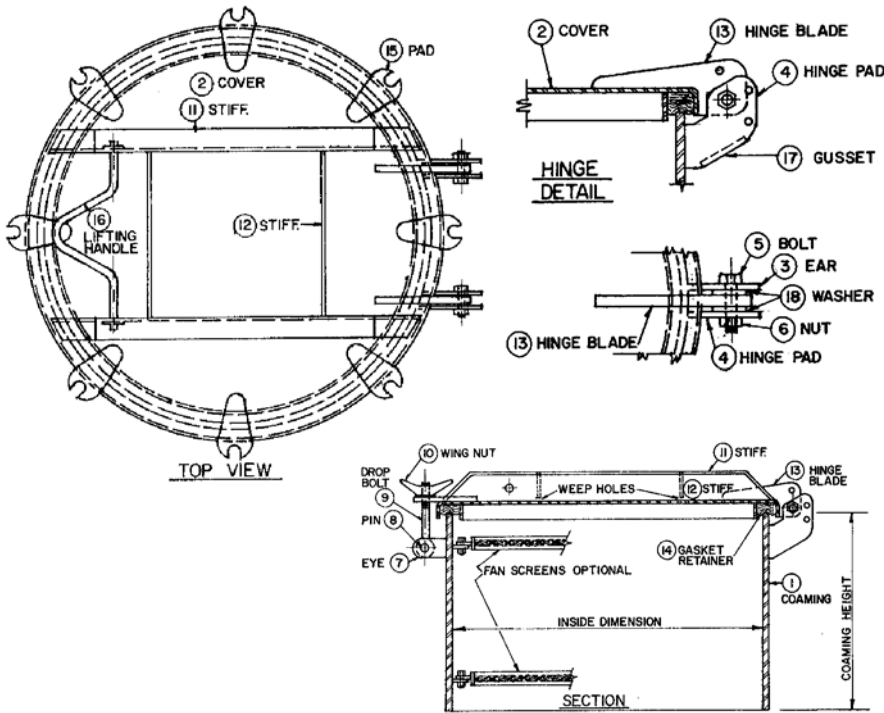
Schedule Of Materials

Pc. No.	Material	Pc. No.	Material
1	Mild Steel	15	Delrin
2	Mild Steel	16	Graphite
3	Mild Steel	17	Cold Finish
4	Mild Steel	18	Stainless
5	Mild Steel	19	Mild Steel
6	Cold Finish	20	Mild Steel
7	Neoprene	21	Brass
8	Mild Steel	22	Mild Steel
9	Mild Steel	23	Brass
10	Aluminum	24	Mild Steel
11	Cold Finish	25	Mild Steel
12	Stainless	26	Spring Steel
13	Brass	27	Stainless
14	Mild Steel		



- Fun & Flotation
- Anchor & Dock
- Safety
- Electronics
- Trolling Motors
- Lighting
- Electrical
- Topside Acc.
- Cockpit & Deck
- Instruments
- Steering, Controls
- Perform.
- Fuel System
- Engine & Parts
- Engine Care
- Propellers
- Seating & Pedestals
- Tops & Covers
- Pumps
- Cleaning & Care
- Paint & Paint Acc.
- Hardware, Fasteners
- Trailering
- Misc.

Watertight Hatch with Drop Bolts



Custom Built Item - Specify Size

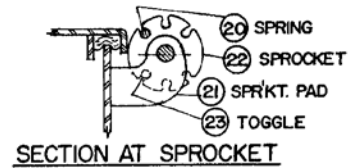
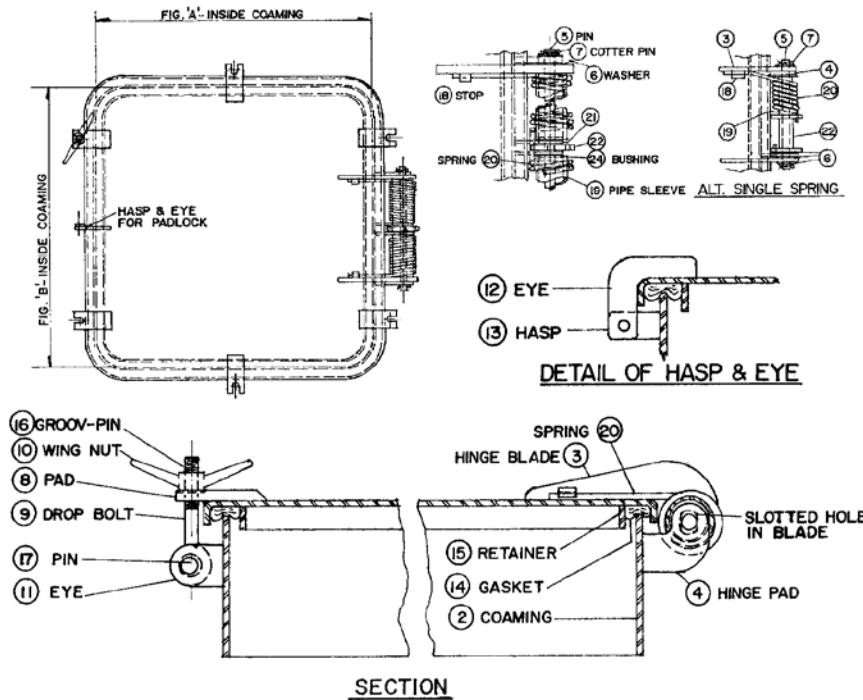
Drawing Number 206

Schedule Of Materials

Pc. No.	Material	Pc. No.	Material
1	Mild Steel	10	Brass
2	Mild Steel	11	Mild Steel
3	Mild Steel	12	Mild Steel
4	Mild Steel	13	Mild Steel
5	Stainless	14	Neoprene
6	Stainless	15	Mild Steel
7	Mild Steel	16	Cold Finish
8	Brass	17	Mild Steel
9	Brass	18	Stainless

- Fun & Flotation
- Anchor & Dock
- Safety
- Electronics
- Trolling Motors
- Lighting
- Electrical
- Topside Acc.
- Cockpit & Deck
- Instruments
- Steering, Controls
- Perform.
- Fuel System
- Engine & Parts
- Engine Care
- Propellers
- Seating & Pedestals
- Tops & Covers
- Pumps
- Cleaning & Care
- Paint & Paint Acc.
- Hardware, Fasteners
- Trailer
- Misc.

Spring Balance Rectangular or Square Dog Hatch



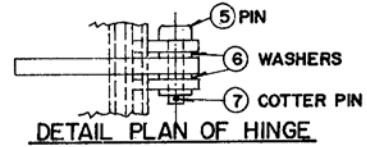
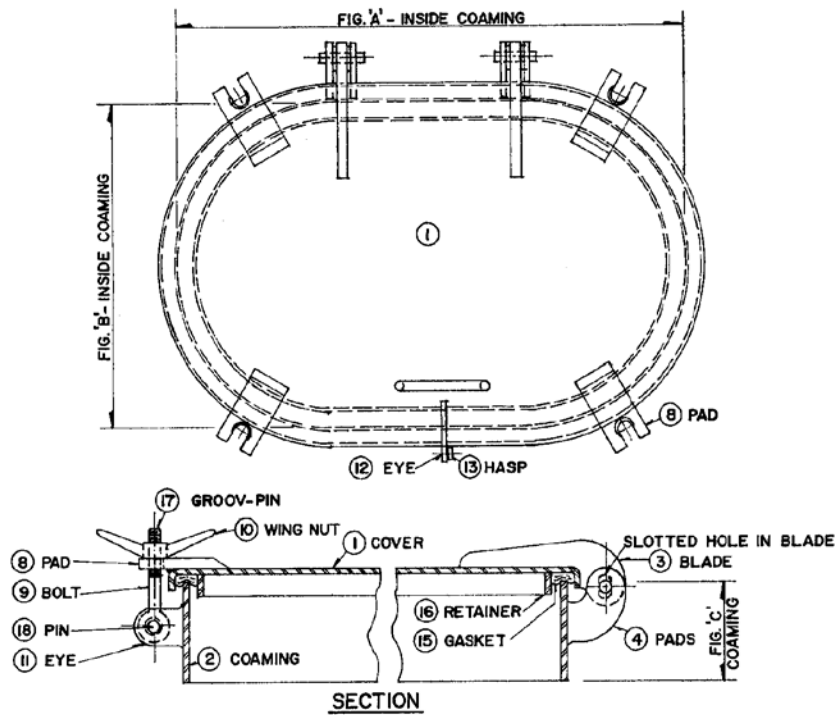
Custom Built Item - Specify Size

Drawing Number 207

Schedule Of Materials

Pc. No.	Material	Pc. No.	Material
1	Mild Steel	13	Mild Steel
2	Mild Steel	14	Neoprene
3	Mild Steel	15	Mild Steel
4	Mild Steel	16	Stainless
5	Cold Finish	17	Brass
6	Brass	18	Mild Steel
7	Brass	19	Mild Steel
8	Mild Steel	20	Spring Steel
9	Manganese Brz.	21	Mild Steel
10	Manganese Brz.	22	Mild Steel
11	Mild Steel	23	Mild Steel
12	Mild Steel	24	Brass

Watertight Hatch with Drop Bolts



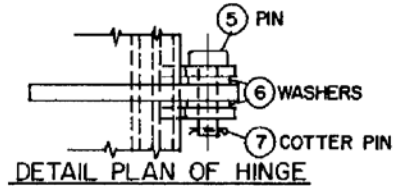
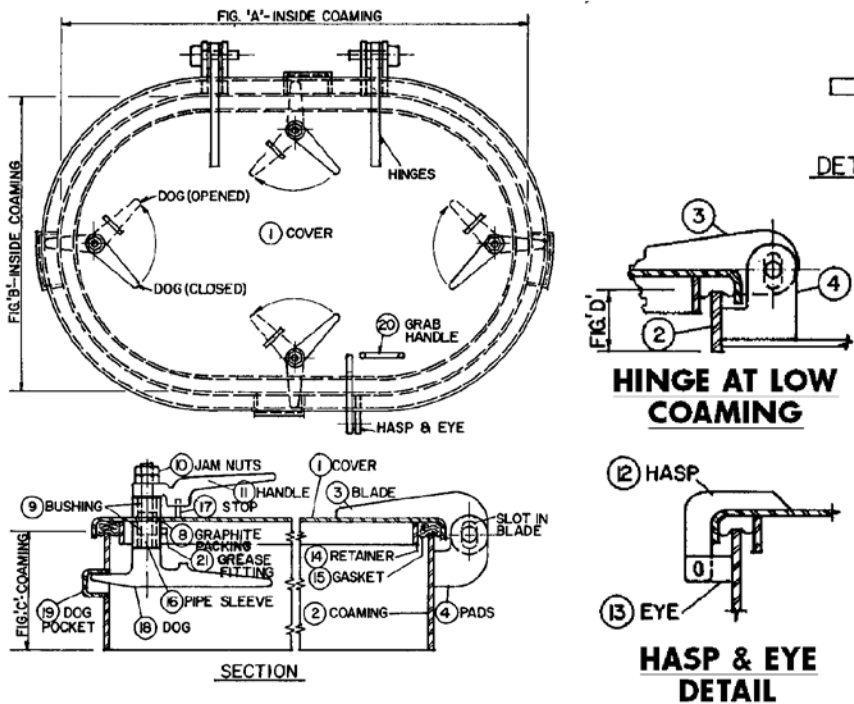
Custom Built Item - Specify Size

Drawing Number 208

Schedule Of Materials

Pc. No.	Material	Pc. No.	Material
1	Mild Steel	10	Manganese Brz.
2	Mild Steel	11	Steel
3	Mild Steel	12	Mild Steel
4	Mild Steel	13	Mild Steel
5	Brass	14	Steel
6	Brass	15	Neoprene
7	Brass	16	Mild Steel
8	Mild Steel	17	Stainless
9	Manganese Brz.	18	Brass

Watertight Hatch with Dogs



Custom Built Item - Specify Size

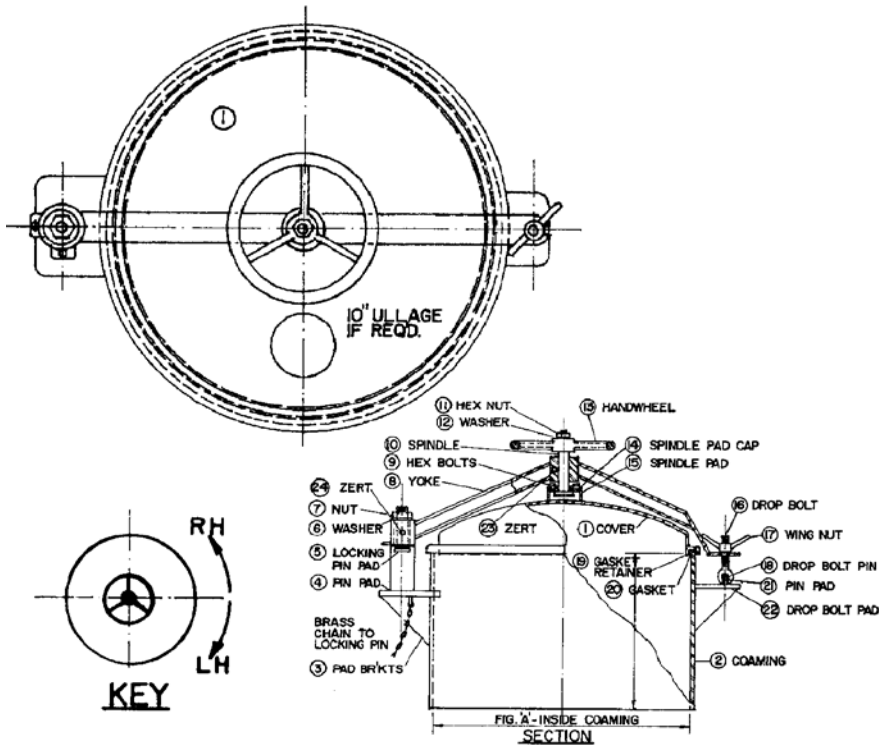
Drawing Number 209

Schedule Of Materials

Pc. No.	Material	Pc. No.	Material
1	Mild Steel	12	Mild Steel
2	Mild Steel	13	Mild Steel
3	Mild Steel	14	Mild Steel
4	Mild Steel	15	Neoprene
5	Brass	16	Mild Steel
6	Stainless	17	Mild Steel
7	Stainless	18	Frg. Steel
8	Graphite	19	Mild Steel
9	Delrin	20	Mild Steel
10	Mild Steel	21	Plated
11	Frg. Steel		

- Fun & Flotation
- Anchor & Dock
- Safety
- Electronics
- Trolling Motors
- Lighting
- Electrical
- Topside Acc.
- Cockpit & Deck
- Instruments
- Steering, Controls
- Perform.
- Fuel System
- Engine & Parts
- Engine Care
- Propellers
- Seating & Pedestals
- Tops & Covers
- Pumps
- Cleaning & Care
- Paint & Paint Acc.
- Hardware, Fasteners
- Trailering
- Misc.

Oil Cargo Hatch



Custom Built Item - Specify Size

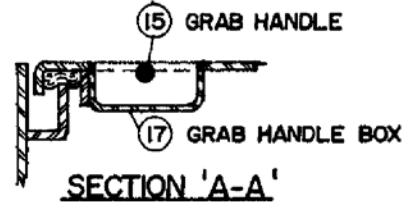
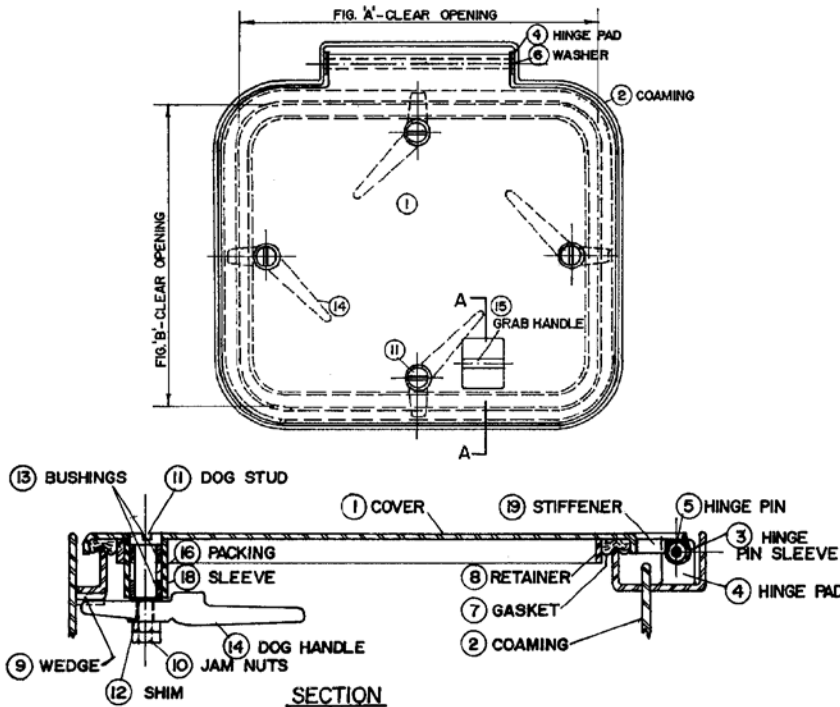
Drawing Number 210

Schedule Of Materials

Pc. No.	Material	Pc. No.	Material
1	Mild Steel	13	Mild Steel
2	Mild Steel	14	Mild Steel
3	Mild Steel	15	Mild Steel
4	Mild Steel	16	Manganese Brz.
5	Mild Steel	17	Manganese Brz.
6	Brass	18	Brass
7	Steel	19	Mild Steel
8	Mild Steel	20	Neoprene
9	Steel	21	Mild Steel
10	Brass	22	Mild Steel
11	Steel	23	Steel
12	Brass	24	Steel

- Fun & Flotation
- Anchor & Dock
- Safety
- Electronics
- Trolling Motors
- Lighting
- Electrical
- Topside Acc.
- Cockpit & Deck
- Instruments
- Steering, Controls
- Perform.
- Fuel System
- Engine & Parts
- Engine Care
- Propellers
- Seating & Pedestals
- Tops & Covers
- Pumps
- Cleaning & Care
- Paint & Paint Acc.
- Hardware, Fasteners
- Trailer
- Misc.

Watertight Flush Hatch



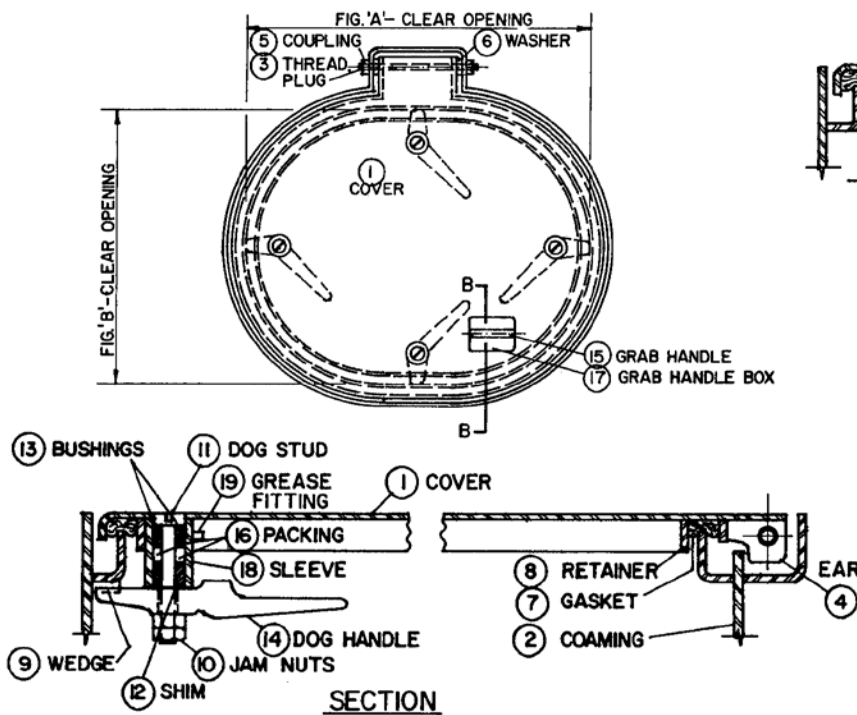
Custom Built Item - Specify Size

Drawing Number 211

Schedule Of Materials

Pc. No.	Material	Pc. No.	Material
1	Mild Steel	11	Manganese Brz
2	Mild Steel	12	Brass
3	Mild Steel	13	Delrin
4	Mild Steel	14	Mild Steel
5	Cold Finish	15	Mild Steel
6	Brass	16	Graphite
7	Neoprene	17	Mild Steel
8	Mild Steel	18	Mild Steel
9	Mild Steel	19	Mild Steel
10	Steel		

Watertight Flush Oval Hatch

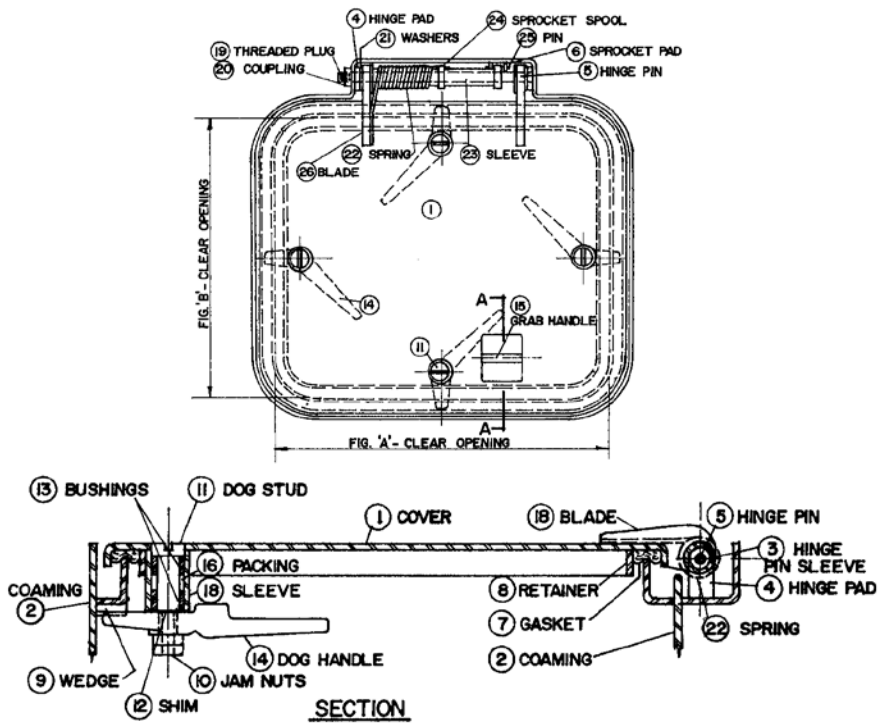


Custom Built Item - Specify Size
Drawing Number 212
Schedule Of Materials

Pc. No.	Material	Pc. No.	Material
1	Mild Steel	11	Brass
2	Mild Steel	12	Stainless
3	Mild Steel	13	Delrin
4	Mild Steel	14	Manganese Brz.
5	Mild Steel	15	Mild Steel
6	Stainless	16	Graphite
7	Neoprene	17	Mild Steel
8	Mild Steel	18	Cold Finish
9	Frg. Steel	19	Plated
10	Steel		

- Fun & Flotation
- Anchor & Dock
- Safety
- Electronics
- Trolling Motors
- Lighting
- Electrical
- Topside Acc.
- Cockpit & Deck
- Instruments
- Steering, Controls
- Perform.
- Fuel System
- Engine & Parts
- Engine Care
- Propellers
- Seating & Pedestals
- Tops & Covers
- Pumps
- Cleaning & Care
- Paint & Paint Acc.
- Hardware, Fasteners
- Trailering
- Misc.

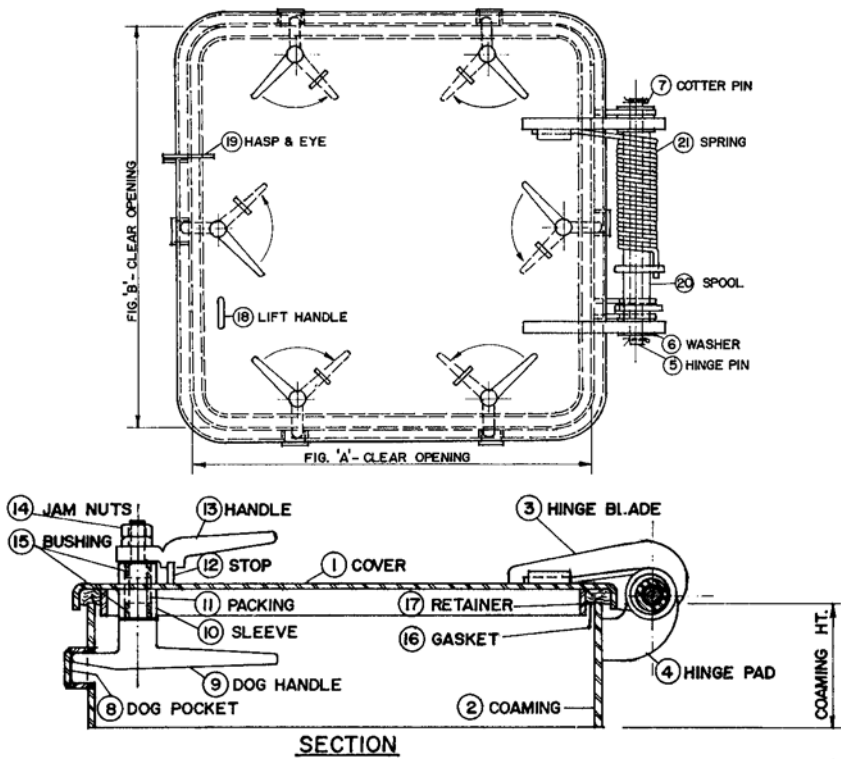
Watertight Flush Hatch with Spring Balanced Cover



Custom Built Item - Specify Size
Drawing Number 213
Schedule Of Materials

Pc. No.	Material	Pc. No.	Material
1	Mild Steel	14	Mild Steel
2	Mild Steel	15	Mild Steel
3	Mild Steel	16	Graphite
4	Mild Steel	17	Mild Steel
5	Cold Finish	18	Mild Steel
6	Mild Steel	19	Mild Steel
7	Neoprene	20	Steel
8	Mild Steel	21	Brass
9	Mild Steel	22	Spring Steel
10	Steel	23	Mild Steel
11	Manganese Brz.	24	Mild Steel
12	Brass	25	Mild Steel
13	Delrin	26	Mild Steel

Watertight Hatch - Spring Balanced



Custom Built Item - Specify Size

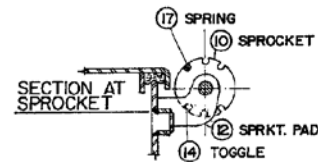
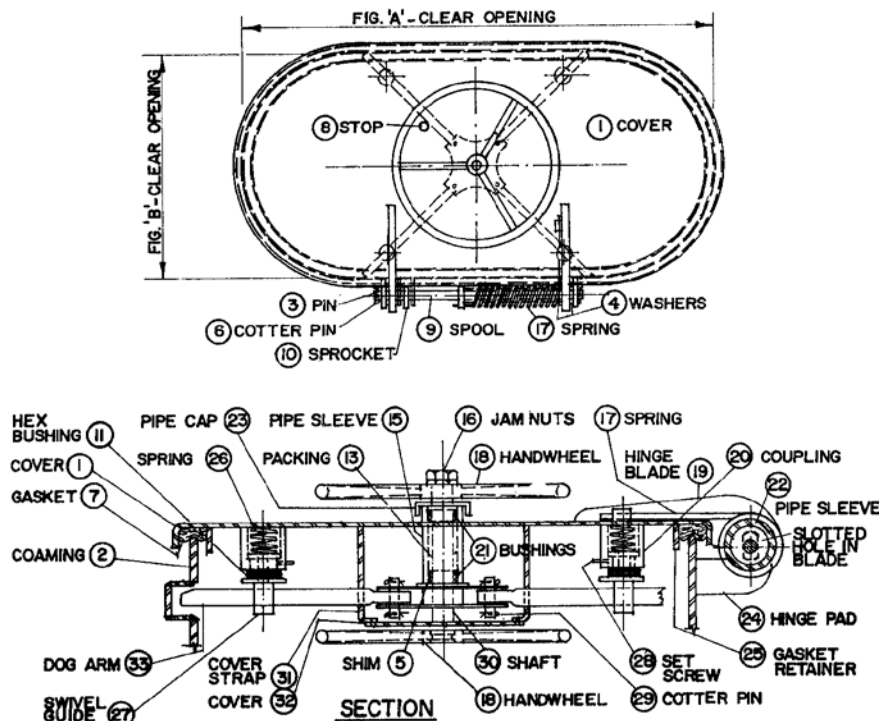
Drawing Number 214

Schedule Of Materials

Pc. No.	Material	Pc. No.	Material
1	Mild Steel	12	Mild Steel
2	Mild Steel	13	Frg. Steel
3	Mild Steel	14	Steel
4	Mild Steel	15	Delrin
5	Cold Finish	16	Neoprene
6	Brass	17	Mild Steel
7	Brass	18	Mild Steel
8	Mild Steel	19	Mild Steel
9	Frg. Steel	20	Mild Steel
10	Mild Steel	21	Spring Steel
11	Graphite		

- Fun & Flotation
- Anchor & Dock
- Safety
- Electronics
- Trolling Motors
- Lighting
- Electrical
- Topside Acc.
- Cockpit & Deck
- Instruments
- Steering, Controls
- Perform.
- Fuel System
- Engine & Parts
- Engine Care
- Propellers
- Seating & Pedestals
- Tops & Covers
- Pumps
- Cleaning & Care
- Paint & Paint Acc.
- Hardware, Fasteners
- Trailer
- Misc.

Spring Balanced, Quick Acting Watertight Oval Hatch

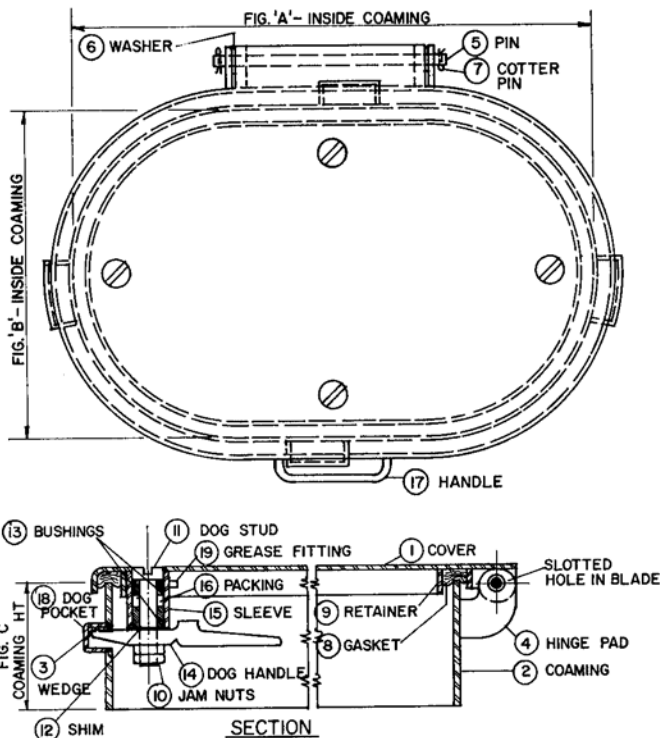


Drawing Number 215

Schedule Of Materials

Pc. No.	Material	Pc. No.	Material
1	Mild Steel	18	Mild Steel
2	Mild Steel	19	Mild Steel
3	Cold Finish	20	Steel
4	Brass	21	Delrin
5	Brass	22	Steel
6	Steel	23	Steel
7	Neoprene	24	Mild Steel
8	Mild Steel	25	Mild Steel
9	Mild Steel	26	Spring Steel
10	Mild Steel	27	Brass
11	Steel	28	Steel
12	Mild Steel	29	Steel
13	Graphite	30	Cold Finish
14	Mild Steel	31	Mild Steel
15	Steel	32	Mild Steel
16	Steel	33	Mild Steel
17	Spring Steel		

Flushed Raised Oval Hatch



Custom Built Item - Specify Size

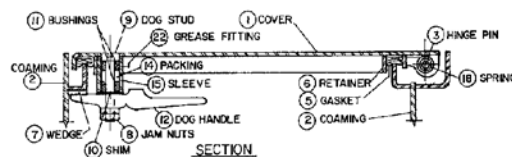
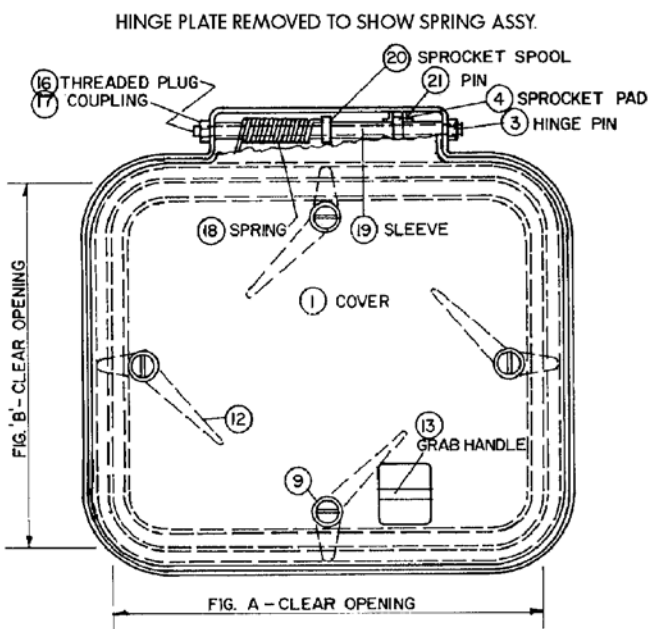
Drawing Number 216

Schedule Of Materials

Pc. No.	Material	Pc. No.	Material
1	Mild Steel	11	Brass
2	Mild Steel	12	Stainless
3	Frg. Steel	13	Delrin
4	Mild Steel	14	Manganese Brz.
5	Cold Finish	15	Cold Finish
6	Stainless	16	Graphite
7	Stainless	17	Mild Steel
8	Neoprene	18	Mild Steel
9	Mild Steel	19	Plated
10	Steel		

- Fun & Flotation
- Anchor & Dock
- Safety
- Electronics
- Trolling Motors
- Lighting
- Electrical
- Topside Acc.
- Cockpit & Deck
- Instruments
- Steering, Controls
- Perform.
- Fuel System
- Engine & Parts
- Engine Care
- Propellers
- Seating & Pedestals
- Tops & Covers
- Pumps
- Cleaning & Care
- Paint & Paint Acc.
- Hardware, Fasteners
- Trailering
- Misc.

Watertight Flush Hatch with Spring Balanced Cover and Recessed Spring



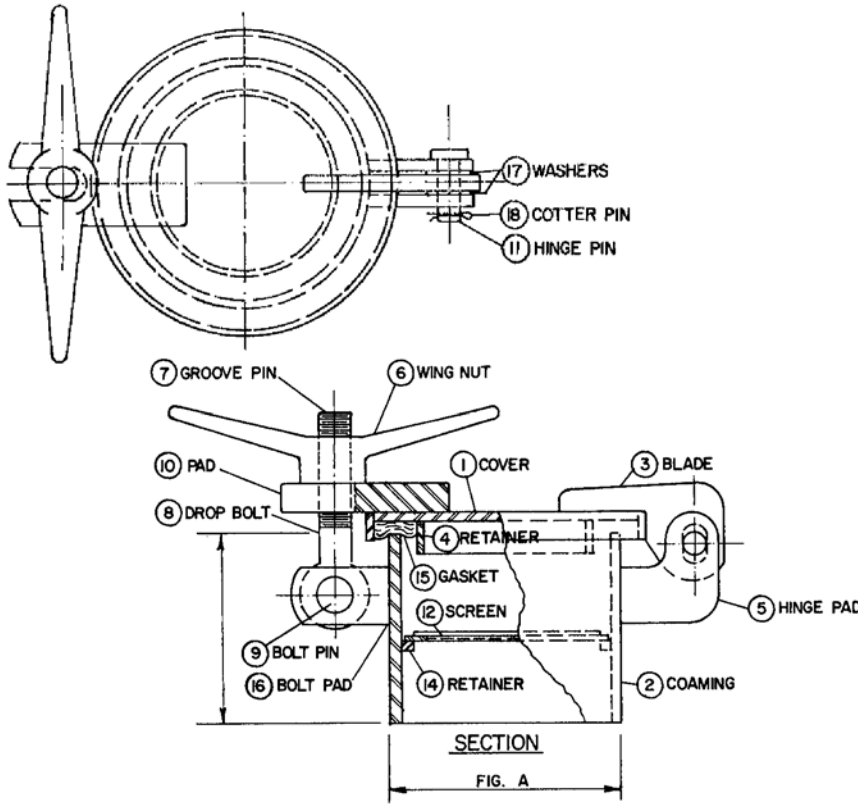
Custom Built Item - Specify Size

Drawing Number 217

Schedule Of Materials

Pc. No.	Material	Pc. No.	Material
1	Mild Steel	12	Manganese Brz.
2	Mild Steel	13	Mild Steel
3	Cold Finish	14	Graphite
4	Mild Steel	15	Mild Steel
5	Neoprene	16	Mild Steel
6	Mild Steel	17	Cold Finish
7	Frg. Steel	18	Spring Steel
8	Steel	19	Mild Steel
9	Brass	20	Mild Steel
10	Stainless	21	Mild Steel
11	Delrin	22	Plated

Ullage Hatch



Custom Built Item - Specify Size

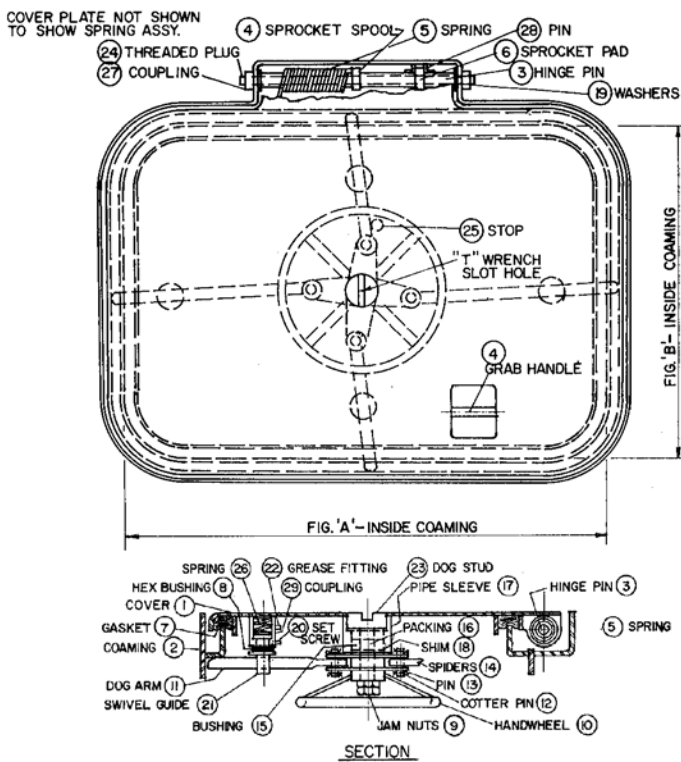
Drawing Number 218

Schedule Of Materials

Pc. No.	Material	Pc. No.	Material
1	Mild Steel	10	Mild Steel
2	Mild Steel	11	Brass
3	Mild Steel	12	Brass
4	Steel	13	Brass
5	Mild Steel	14	Mild Steel
6	Bronze	15	Neoprene
7	Stainless	16	Mild Steel
8	Bronze	17	Stainless
9	Brass	18	Stainless

- Fun & Flotation
- Anchor & Dock
- Safety
- Electronics
- Trolling Motors
- Lighting
- Electrical
- Topside Acc.
- Cockpit & Deck
- Instruments
- Steering, Controls
- Perform.
- Fuel System
- Engine & Parts
- Engine Care
- Propellers
- Seating & Pedestals
- Tops & Covers
- Pumps
- Cleaning & Care
- Paint & Paint Acc.
- Hardware, Fasteners
- Trailer
- Misc.

Quick Acting Watertight Flush Hatch with Recessed Spring



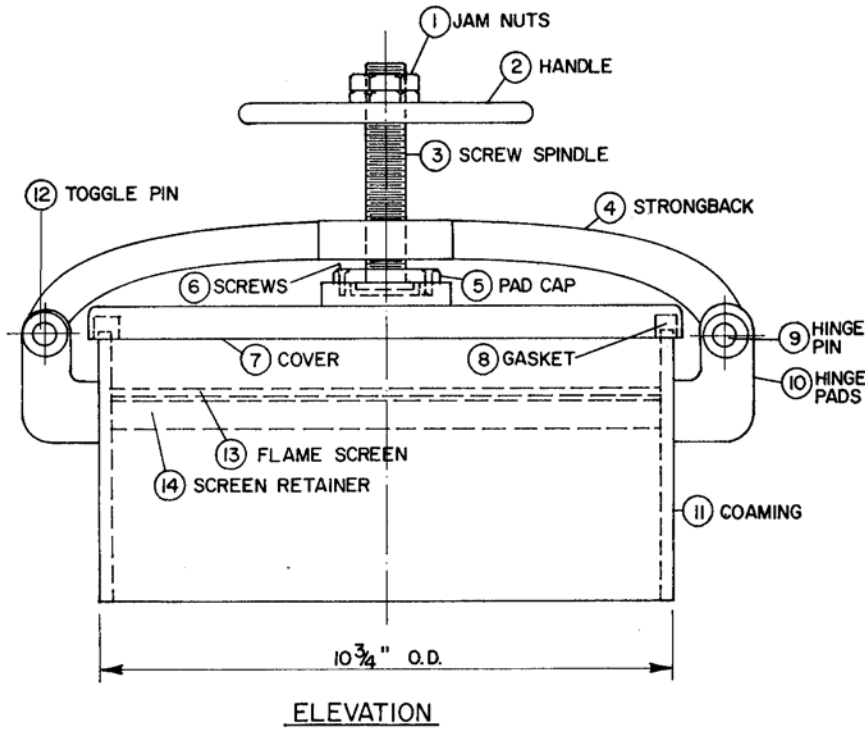
Custom Built Item - Specify Size

Drawing Number 219

Schedule Of Materials

Pc. No.	Material	Pc. No.	Material
1	Mild Steel	16	Graphite
2	Mild Steel	17	Cold Finish
3	Cold Finish	18	Stainless
4	Mild Steel	19	Stainless
5	Spring Steel	20	Mild Steel
6	Mild Steel	21	Brass
7	Neoprene	22	Plated
8	Mild Steel	23	Brass
9	Steel	24	Mild Steel
10	Aluminum	25	Mild Steel
11	Cold Finish	26	Spring Steel
12	Stainless	27	Mild Steel
13	Brass	28	Mild Steel
14	Mild Steel	29	Mild Steel
15	Delrin		

Ullage Hatch



Custom Built Item - Specify Size

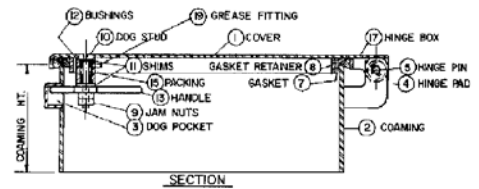
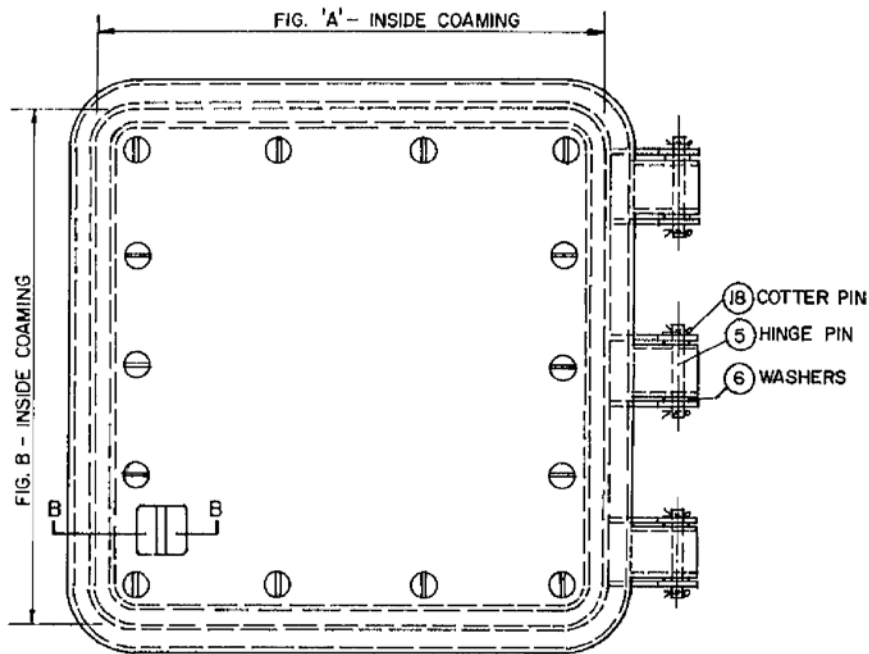
Drawing Number 220

Schedule Of Materials

Pc. No.	Material	Pc. No.	Material
1	Steel	8	Neoprene
2	Brass	9	Brass
3	Brass	10	Mild Steel
4	Brass	11	Mild Steel
5	Brass	12	Brass
6	Steel	13	Brass
7	Brass	14	Mild Steel

- Fun & Flotation
- Anchor & Dock
- Safety
- Electronics
- Trolling Motors
- Lighting
- Electrical
- Topside Acc.
- Cockpit & Deck
- Instruments
- Steering, Controls
- Perform.
- Fuel System
- Engine & Parts
- Engine Care
- Propellers
- Seating & Pedestals
- Tops & Covers
- Pumps
- Cleaning & Care
- Paint & Paint Acc.
- Hardware, Fasteners
- Trailering
- Misc.

Watertight Rectangular Hatch



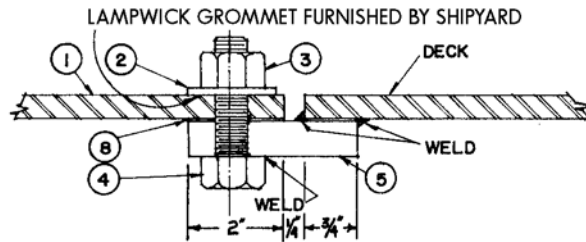
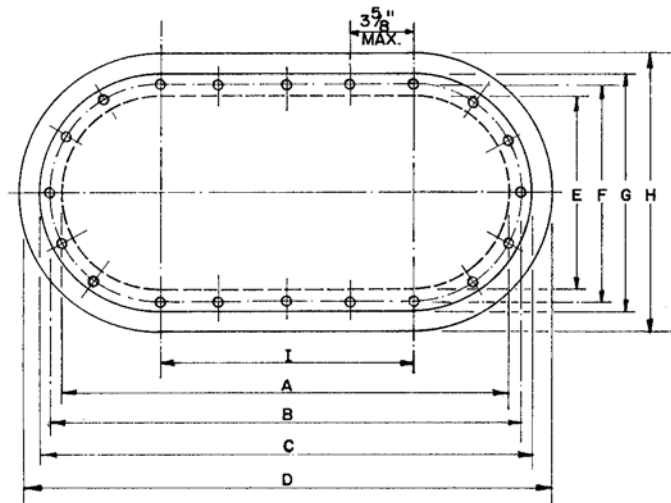
Custom Built Item - Specify Size

Drawing Number 221

Schedule Of Materials

Pc. No.	Material	Pc. No.	Material
1	Steel	11	Stainless
2	Steel	12	Delrin
3	Steel	13	Manganese Brz.
4	Steel	14	Steel
5	Cold Finish	15	Graphite
6	Stainless	16	Steel
7	Neoprene	17	Steel
8	Steel	18	Stainless
9	Steel	19	Plated
10	Brass		

Watertight Manhole Cover



Custom Built Item - Specify Size

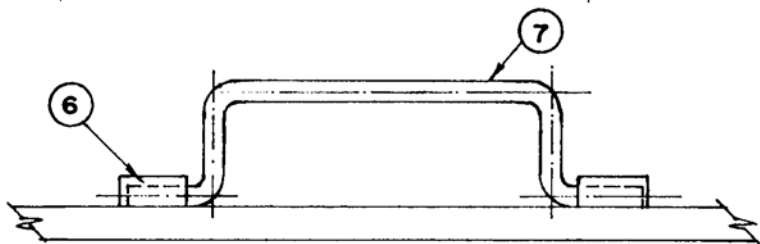
Drawing Number 300

Schedule Of Materials

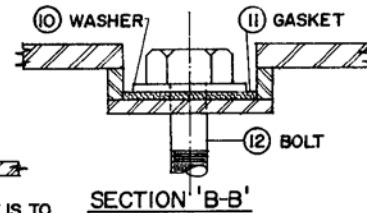
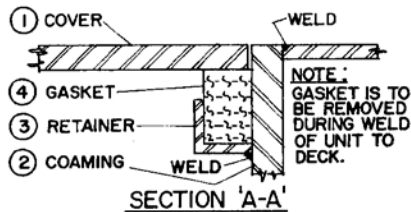
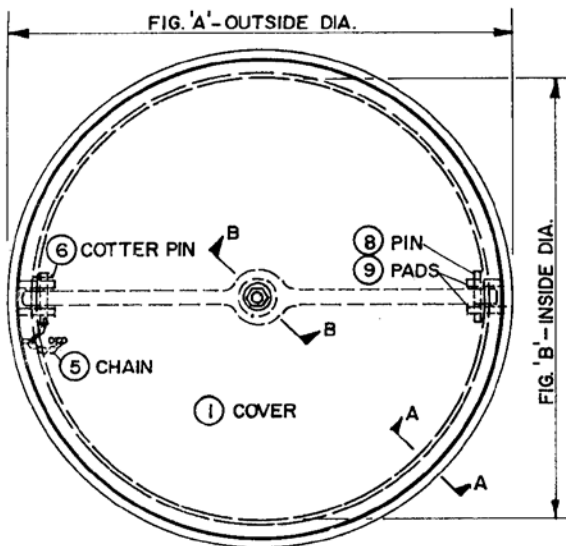
Pc. No.	Material	Pc. No.	Material
1	Steel	5	Steel
2	Plated Steel	6	Steel
3	Brass	7	Steel
4	Steel	8	Neoprene

Dimension Schedule

Clear Opening	A	B	C	D	E	F	G	H	I
15" x 23"	23"	24-1/4"	27"	29"	15"	16-1/4"	19"	21"	8"
18" x 24"	24"	25-1/4"	28"	30"	18"	19-1/4"	22"	24"	6"



Single Bolt Manhole

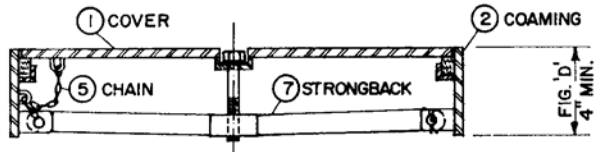


Custom Built Item - Specify Size

Drawing Number 301

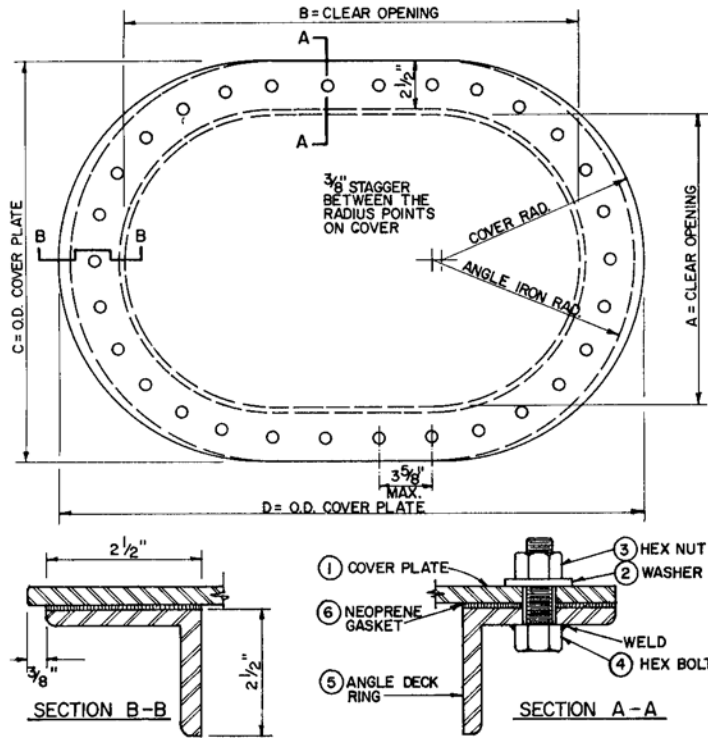
Schedule Of Materials

Pc. No.	Material	Pc. No.	Material
1	Mild Steel	7	Mild Steel
2	Mild Steel	8	Cold Finish
3	Mild Steel	9	Mild Steel
4	Neoprene	10	Brass
5	Steel	11	Neoprene
6	Steel	12	Stainless



- Fun & Flotation
- Anchor & Dock
- Safety
- Electronics
- Trolling Motors
- Lighting
- Electrical
- Topside Acc.
- Cockpit & Deck
- Instruments
- Steering, Controls
- Perform.
- Fuel System
- Engine & Parts
- Engine Care
- Propellers
- Seating & Pedestals
- Tops & Covers
- Pumps
- Cleaning & Care
- Paint & Paint Acc.
- Hardware, Fasteners
- Trailer
- Misc.

Raised Bolted Plate Manhole



Custom Built Item - Specify Size

Drawing Number 302

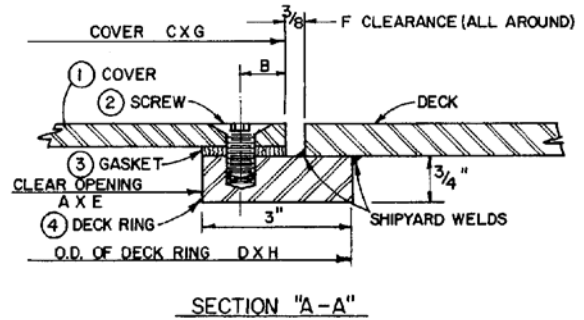
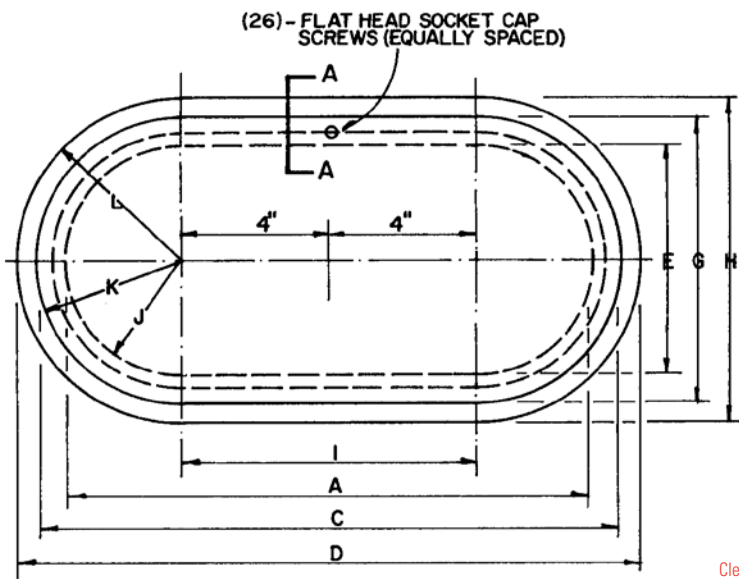
Schedule Of Materials

Pc. No.	Material	Pc. No.	Material
1	Steel	4	Plated Steel
2	Plated Steel	5	Steel
3	Plated Steel	6	Neoprene

Dimension Schedule

Clear Opening	A	B	C	D
15" x 23"	15"	23"	20"	28-3/4"
16" x 23"	16"	23"	21"	28-3/4"
18" x 24"	18"	24"	23"	29-3/4"

Flush Bolted Plated Manhole



Custom Built Item - Specify Size

Drawing Number 303

Schedule Of Materials

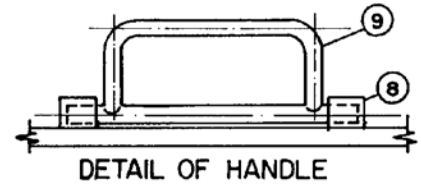
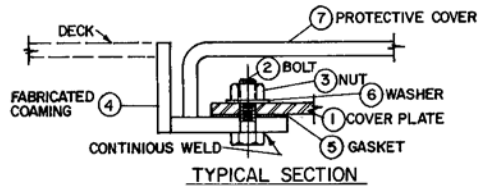
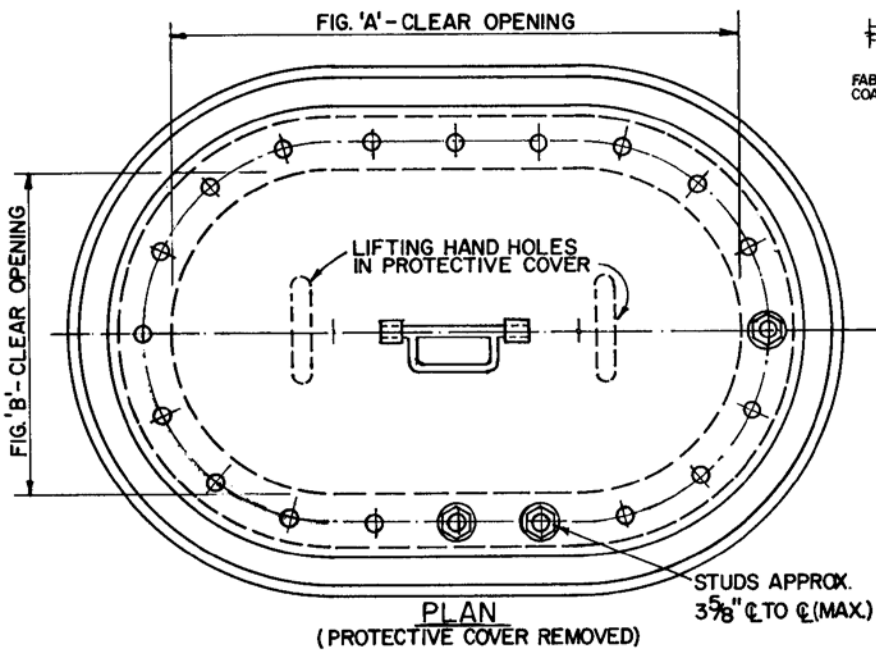
Pc. No.	Material	Pc. No.	Material
1	Steel	3	Neoprene
2	Stainless	4	Steel

Dimension Schedule

Clear Opening	A	B	C	D	E	F	G	H	I	J	K	L
15" x 23"	15"	1-1/8"	27"	29"	15"	3/8"	19"	21"	8"	7-1/2"	9-1/2"	10-1/2"

- Fun & Flotation
- Anchor & Dock
- Safety
- Electronics
- Trolling Motors
- Lighting
- Electrical
- Topside Acc.
- Cockpit & Deck
- Instruments
- Steering, Controls
- Perform.
- Fuel System
- Engine & Parts
- Engine Care
- Propellers
- Seating & Pedestals
- Tops & Covers
- Pumps
- Cleaning & Care
- Paint & Paint Acc.
- Hardware, Fasteners
- Trailering
- Misc.

Covered Bolted Plate Manhole



Custom Built Item - Specify Size

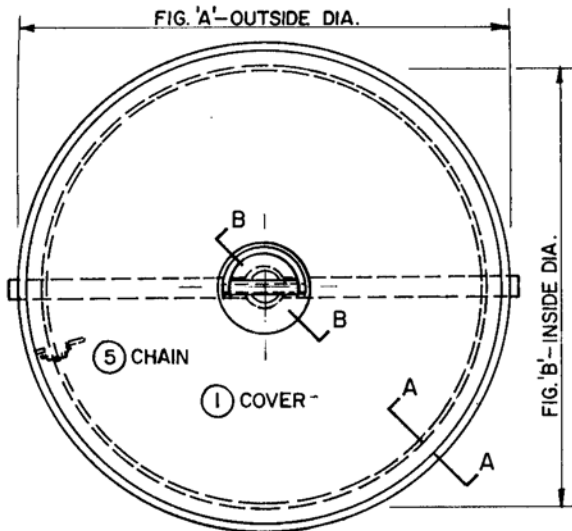
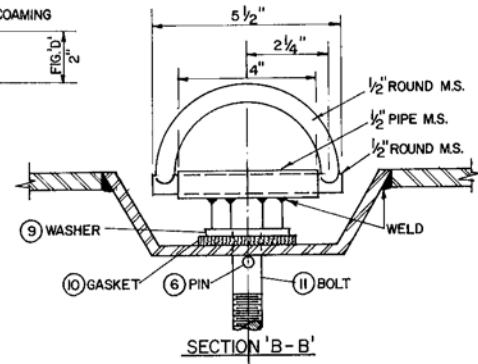
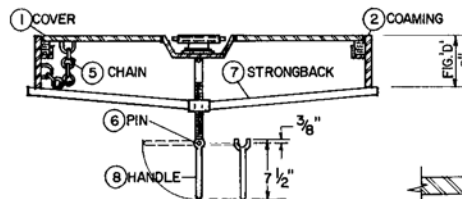
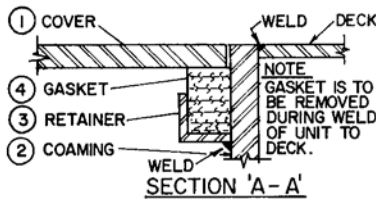
Drawing Number 304

Schedule Of Materials

Pc. No.	Material	Pc. No.	Material
1	Mild Steel	6	Plated
2	Mild Steel	7	Mild Steel
3	Brass	8	Mild Steel
4	Mild Steel	9	Mild Steel
5	Neoprene		

- Fun & Flotation
- Anchor & Dock
- Safety
- Electronics
- Trolling Motors
- Lighting
- Electrical
- Topside Acc.
- Cockpit & Deck
- Instruments
- Steering, Controls
- Perform.
- Fuel System
- Engine & Parts
- Engine Care
- Propellers
- Seating & Pedestals
- Tops & Covers
- Pumps
- Cleaning & Care
- Paint & Paint Acc.
- Hardware, Fasteners
- Trailerling
- Misc.

Single Bolt Manhole with Fold Down Handle



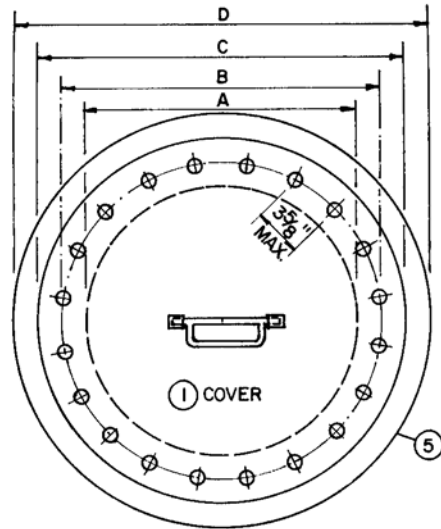
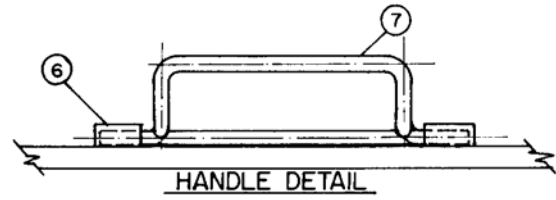
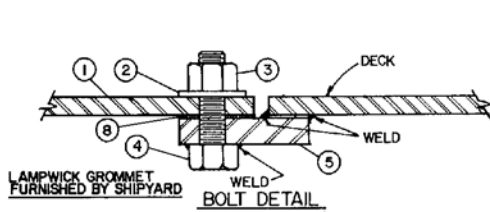
Custom Built Item - Specify Size

Drawing Number 305

Schedule Of Materials

Pc. No.	Material	Pc. No.	Material
1	Mild Steel	7	Mild Steel
2	Mild Steel	8	Mild Steel
3	Mild Steel	9	Stainless
4	Neoprene	10	Neoprene
5	Steel	11	Stainless
6	Stainless		

Watertight Manhole Cover



Custom Built Item - Specify Size

Drawing Number 306

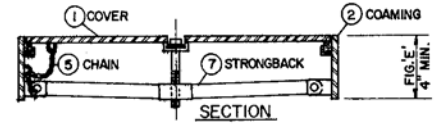
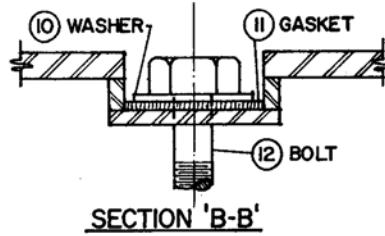
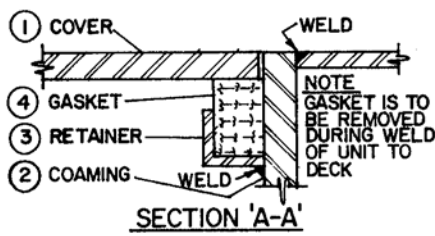
Schedule Of Materials

Pc. No.	Material	Pc. No.	Material
1	Steel	5	Steel
2	Plated Steel	6	Steel
3	Brass	7	Steel
4	Steel	8	Neoprene

Dimension Schedule

Clear Opening	A	B	C	D
18"	18"	19-3/4"	22"	22"
20"	20"	21-3/4"	24"	26"
22"	22"	23-3/4"	26"	28"
24"	24"	25-3/4"	28"	30"
26"	26"	27-3/4"	30"	32"

Oval Single Bolt Manhole



Custom Built Item - Specify Size

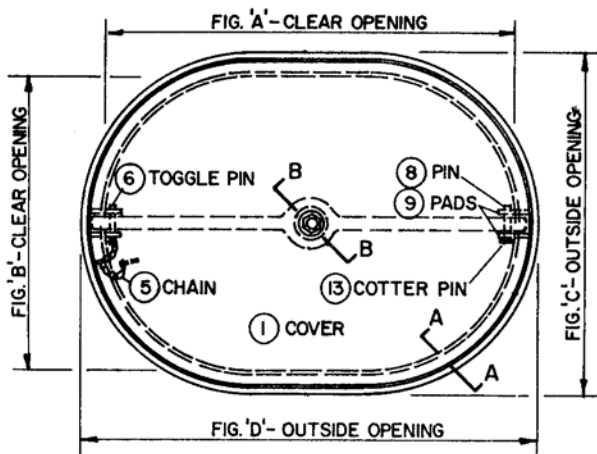
Drawing Number 307

Schedule Of Materials

Pc. No.	Material	Pc. No.	Material
1	Mild Steel	8	Steel
2	Mild Steel	9	Mild Steel
3	Mild Steel	10	Stainless
4	Neoprene	11	Neoprene
5	Steel	12	Stainless
6	Steel	13	Stainless
7	Mild Steel		

Dimension Schedule

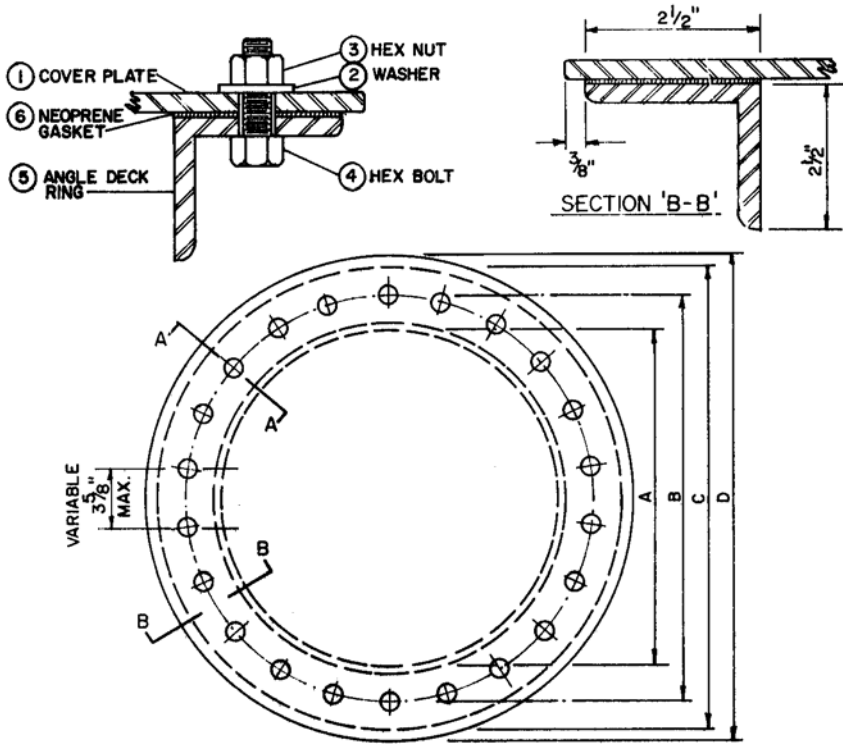
Clear Opening	A	B	C	D
15" x 23"	15"	23"	17-1/4"	25-1/4"
16" x 23"	16"	23"	18-1/4"	25-1/4"
18" x 24"	18"	24"	20-1/4"	26-1/4"



- Fun & Flotation
- Anchor & Dock
- Safety
- Electronics
- Trolling Motors
- Lighting
- Electrical
- Topside Acc.
- Cockpit & Deck
- Instruments
- Steering, Controls
- Perform.
- Fuel System
- Engine & Parts
- Engine Care
- Propellers
- Seating & Pedestals
- Tops & Covers
- Pumps
- Cleaning & Care
- Paint & Paint Acc.
- Hardware, Fasteners
- Trailer
- Misc.

- Fun & Flotation
- Anchor & Dock
- Safety
- Electronics
- Trolling Motors
- Lighting
- Electrical
- Topside Acc.
- Cockpit & Deck
- Instruments
- Steering, Controls
- Perform.
- Fuel System
- Engine & Parts
- Engine Care
- Propellers
- Seating & Pedestals
- Tops & Covers
- Pumps
- Cleaning & Care
- Paint & Paint Acc.
- Hardware, Fasteners
- Trailer
- Misc.

Round Raised Bolted Manhole



Custom Built Item - Specify Size

Drawing Number 308

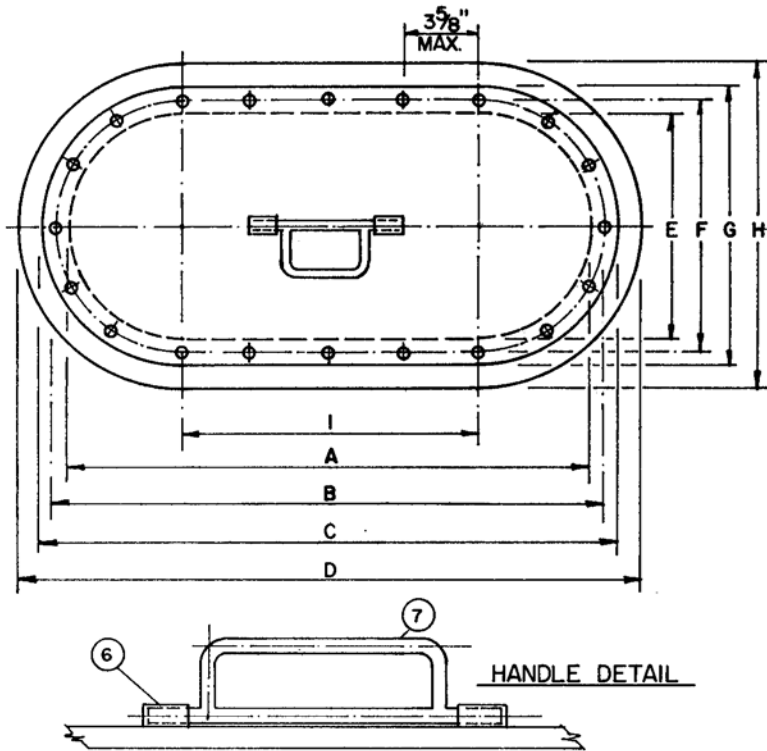
Schedule Of Materials

Pc. No.	Material	Pc. No.	Material
1	Steel	4	Mild Steel
2	Plated Steel	5	Steel
3	Plated Steel	6	Neoprene

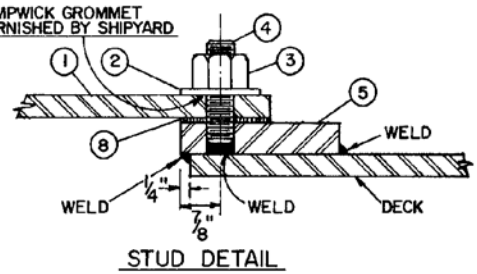
Dimension Schedule

No. Bolts	Clear Opening	A	B	C	D
22	18"	18"	20-3/4"	23"	23-3/4"
22	20"	20"	22-3/4"	25"	25-3/4"
22	22"	22"	24-3/4"	27"	27-3/4"
22	24"	24"	26-3/4"	29"	29-3/4"

Bolted Plate Manhole with Studs



LAMPWICK GROMMET FURNISHED BY SHIPYARD



Custom Built Item - Specify Size

Drawing Number 309

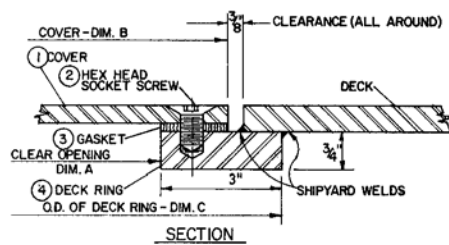
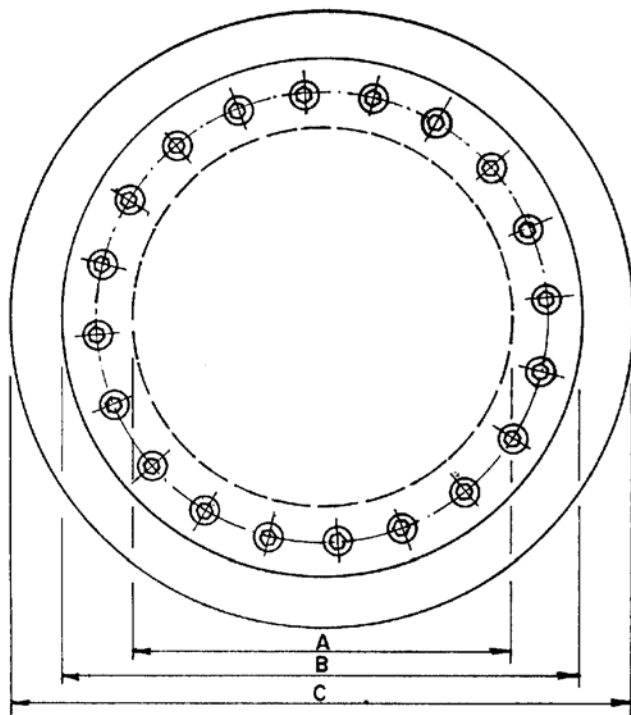
Schedule Of Materials

Pc. No.	Material	Pc. No.	Material
1	Steel	5	Steel
2	Plated Steel	6	Steel
3	Plated Steel	7	Steel
4	Mild Steel	8	Neoprene

Dimension Schedule

Clear Opening	A	B	C	D	E	F	G	H	I
15" x 23"	23"	23-3/4"	26-1/2"	29"	15"	16-3/4"	18-1/2"	21"	8"
18" x 24"	24"	25-1/4"	27-1/2"	30"	18"	19-1/4"	21-1/2"	24"	6"

Flush Bolted Plate Manhole



Custom Built Item - Specify Size

Drawing Number 310

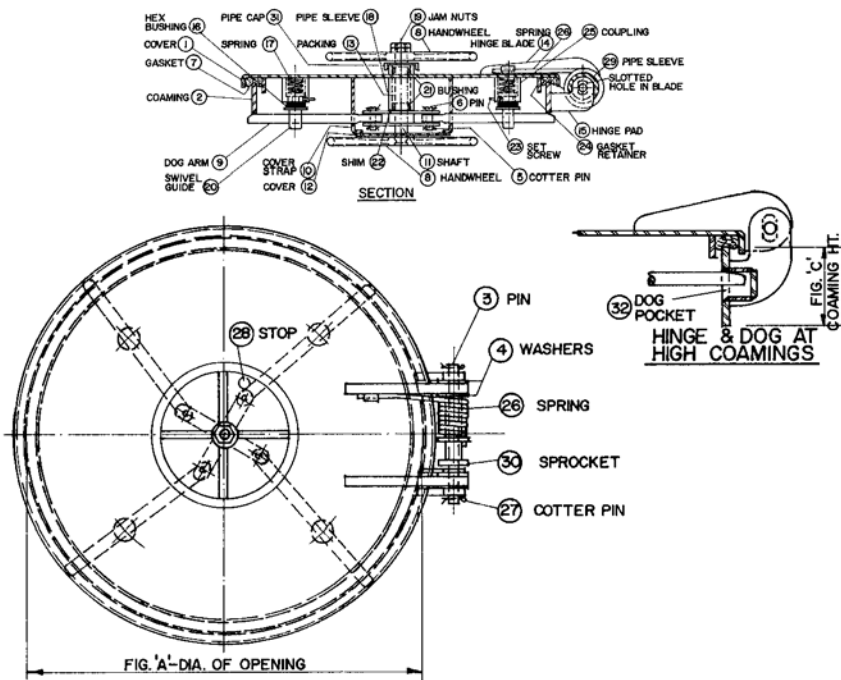
Schedule Of Materials

Pc. No.	Material	Pc. No.	Material
1	Steel	3	Neoprene
2	Stainless	4	Steel

Dimension Schedule

Clear Opening	A	B	C
18"	18"	21"	24"
20"	20"	24"	26"
22"	22"	26"	28"
24"	24"	28"	30"

Quick Acting Watertight Scuttle with Spring Balanced Cover



Custom Built Item - Specify Size

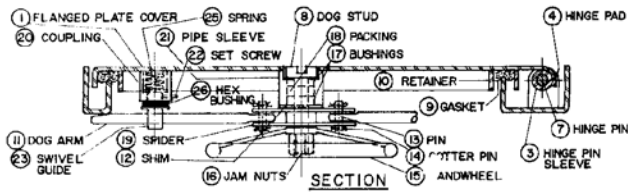
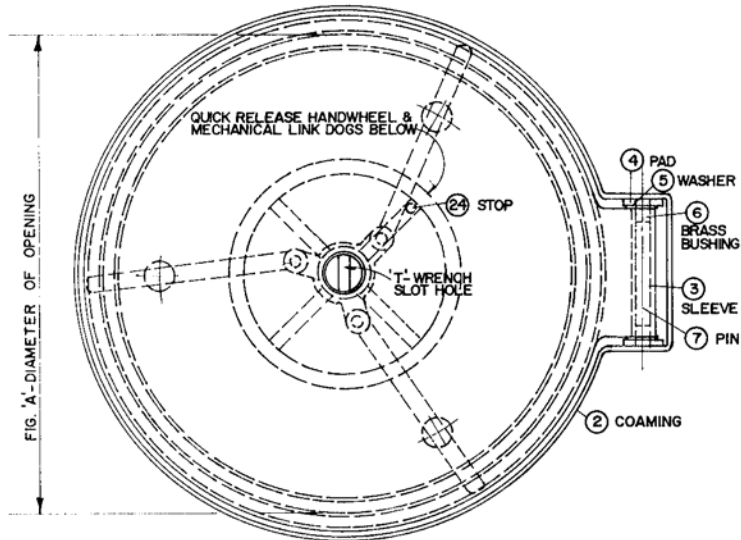
Drawing Number 400

Schedule Of Materials

Pc. No.	Material	Pc. No.	Material
1	Mild Steel	17	Spring Steel
2	Mild Steel	18	Steel
3	Cold Finish	19	Steel
4	Brass	20	Brass
5	Mild Steel	21	Delrin
6	Cold Finish	22	Brass
7	Neoprene	23	Steel
8	Mild Steel	24	Mild Steel
9	Mild Steel	25	Steel
10	Mild Steel	26	Spring Steel
11	Cold Finish	27	Mild Steel
12	Mild Steel	28	Mild Steel
13	Graphite	29	Mild Steel
14	Mild Steel	30	Mild Steel
15	Mild Steel	31	Steel
16	Mild Steel	32	Mild Steel

- Fun & Flotation
- Anchor & Dock
- Safety
- Electronics
- Trolling Motors
- Lighting
- Electrical
- Topside Acc.
- Cockpit & Deck
- Instruments
- Steering, Controls
- Perform.
- Fuel System
- Engine & Parts
- Engine Care
- Propellers
- Seating & Pedestals
- Tops & Covers
- Pumps
- Cleaning & Care
- Paint & Paint Acc.
- Hardware, Fasteners
- Trailering
- Misc.

Flush Quick Acting Watertight Round Scuttle



Custom Built Item - Specify Size

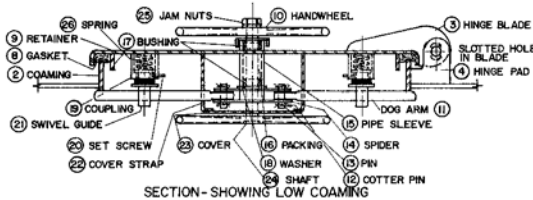
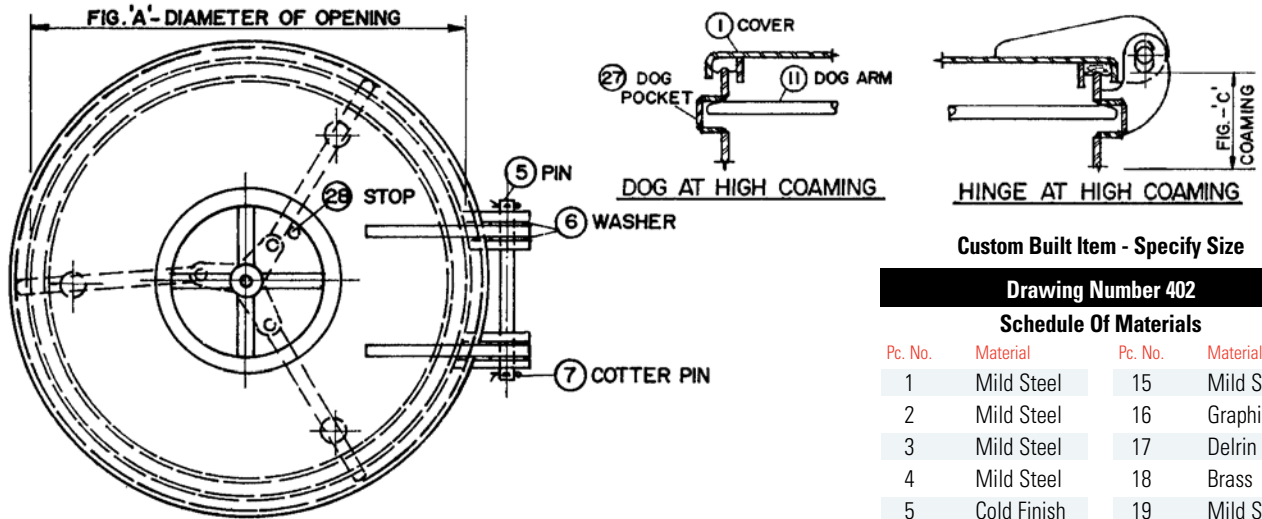
Drawing Number 401

Schedule Of Materials

Pc. No.	Material	Pc. No.	Material
1	Mild Steel	14	Mild Steel
2	Mild Steel	15	Mild Steel
3	Mild Steel	16	Mild Steel
4	Mild Steel	17	Delrin
5	Brass	18	Graphite
6	Brass	19	Mild Steel
7	Cold Finish	20	Mild Steel
8	Mild Steel	21	Mild Steel
9	Neoprene	22	Mild Steel
10	Mild Steel	23	Brass
11	Mild Steel	24	Mild Steel
12	Brass	25	Spring Steel
13	Cold Finish	26	Mild Steel

- Fun & Flotation
- Anchor & Dock
- Safety
- Electronics
- Trolling Motors
- Lighting
- Electrical
- Topside Acc.
- Cockpit & Deck
- Instruments
- Steering, Controls
- Perform.
- Fuel System
- Engine & Parts
- Engine Care
- Propellers
- Seating & Pedestals
- Tops & Covers
- Pumps
- Cleaning & Care
- Paint & Paint Acc.
- Hardware, Fasteners
- Trailer
- Misc.

Quick Acting Watertight Round Scuttle with Three Dogs



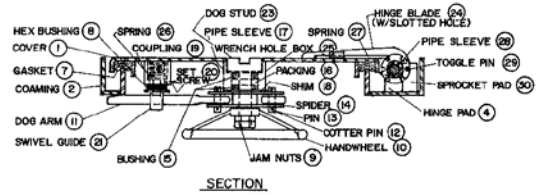
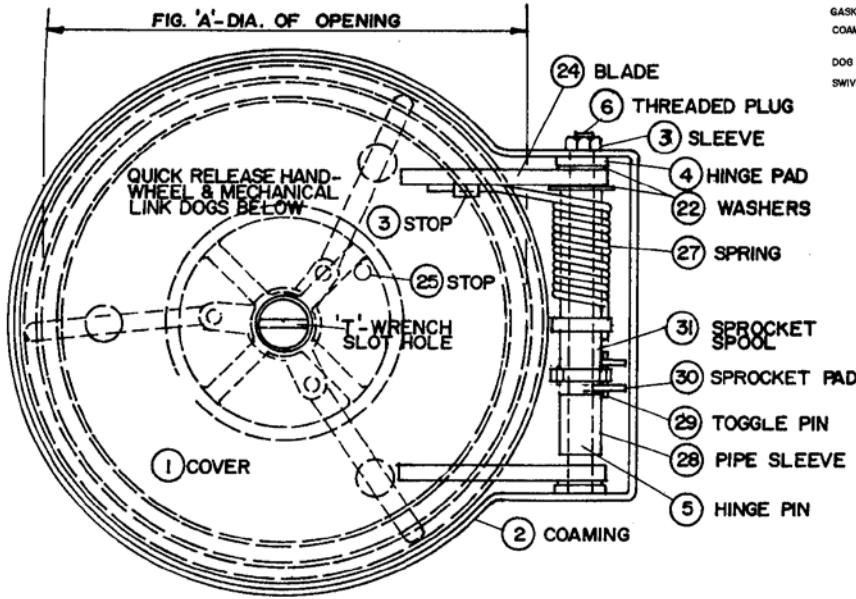
Custom Built Item - Specify Size

Drawing Number 402

Schedule Of Materials

Pc. No.	Material	Pc. No.	Material
1	Mild Steel	15	Mild Steel
2	Mild Steel	16	Graphite
3	Mild Steel	17	Delrin
4	Mild Steel	18	Brass
5	Cold Finish	19	Mild Steel
6	Brass	20	Mild Steel
7	Brass	21	Brass
8	Neoprene	22	Mild Steel
9	Mild Steel	23	Mild Steel
10	Mild Steel	24	Cold Finish
11	Mild Steel	25	Brass
12	Mild Steel	26	Steel
13	Cold Finish	27	Mild Steel
14	Mild Steel	28	Mild Steel

Quick Acting Watertight Flush Scuttle



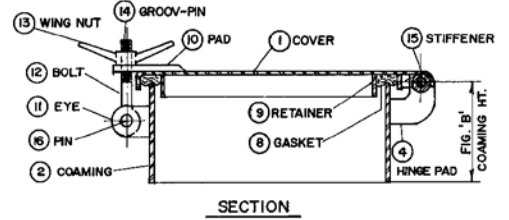
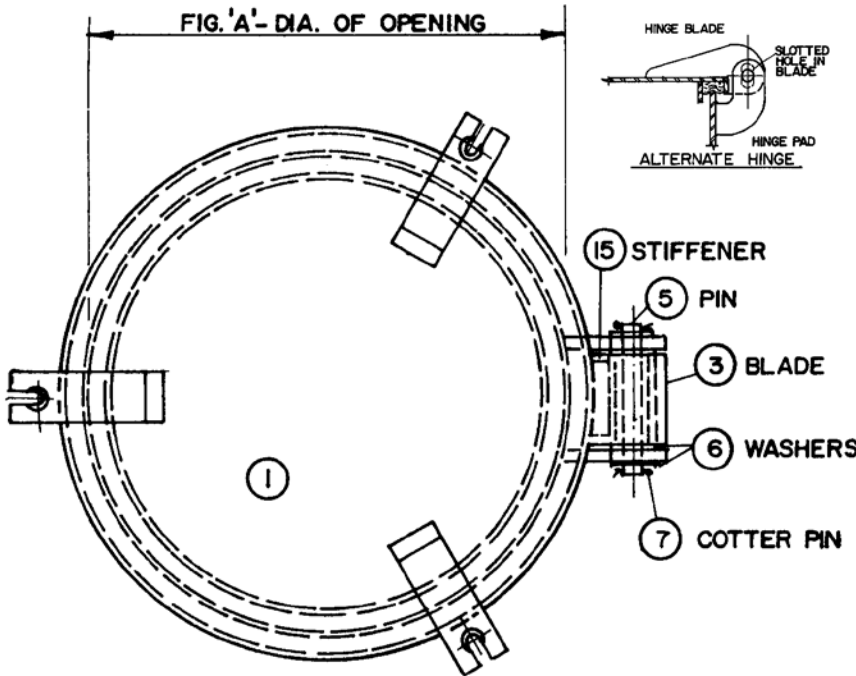
Custom Built Item - Specify Size

Drawing Number 403

Schedule Of Materials

Pc. No.	Material	Pc. No.	Material
1	Mild Steel	17	Mild Steel
2	Mild Steel	18	Brass
3	Mild Steel	19	Mild Steel
4	Mild Steel	20	Mild Steel
5	Cold Finish	21	Brass
6	Steel	22	Brass
7	Neoprene	23	Brass
8	Mild Steel	24	Mild Steel
9	Mild Steel	25	Mild Steel
10	Mild Steel	26	Spring Steel
11	Mild Steel	27	Mild Steel
12	Brass	28	Mild Steel
13	Cold Finish	29	Mild Steel
14	Mild Steel	30	Mild Steel
15	Delrin	31	Mild Steel
16	Graphite		

Watertight Scuttle with Drop Bolts



Custom Built Item - Specify Size

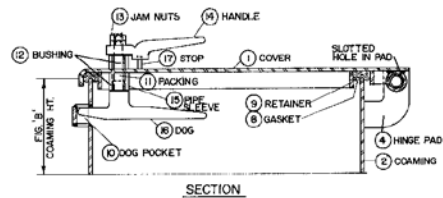
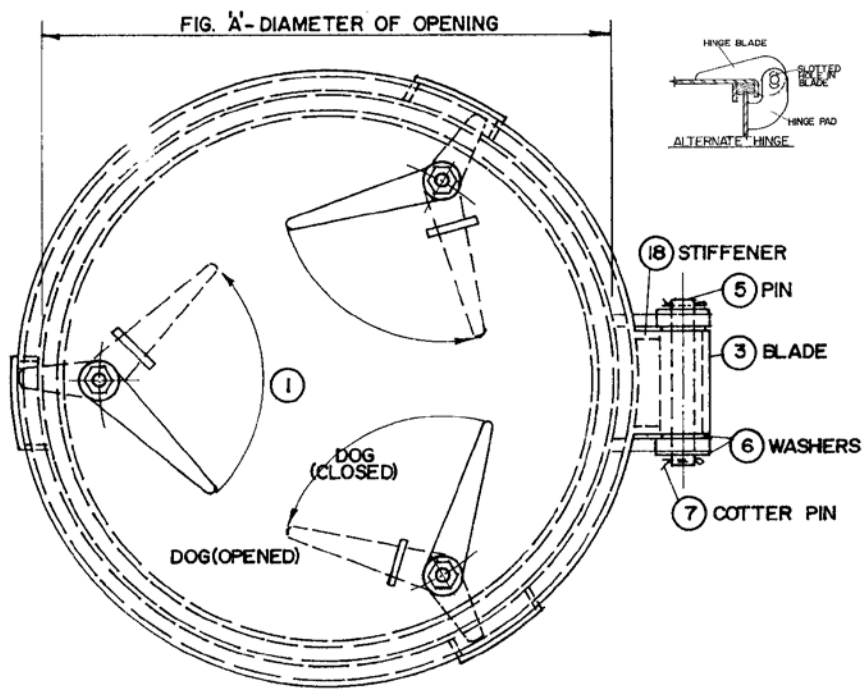
Drawing Number 404

Schedule Of Materials

Pc. No.	Material	Pc. No.	Material
1	Mild Steel	9	Mild Steel
2	Mild Steel	10	Mild Steel
3	Mild Steel	11	Mild Steel
4	Mild Steel	12	Bronze
5	Cold Finish	13	Bronze
6	Brass	14	Stainless
7	Brass	15	Mild Steel
8	Neoprene	16	Brass

- Fun & Flotation
- Anchor & Dock
- Safety
- Electronics
- Trolling Motors
- Lighting
- Electrical
- Topside Acc.
- Cockpit & Deck
- Instruments
- Steering, Controls
- Perform.
- Fuel System
- Engine & Parts
- Engine Care
- Propellers
- Seating & Pedestals
- Tops & Covers
- Pumps
- Cleaning & Care
- Paint & Paint Acc.
- Hardware, Fasteners
- Trailering
- Misc.

Watertight Scuttle with Dogs



Custom Built Item - Specify Size

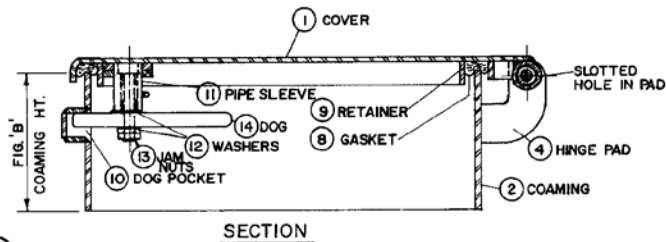
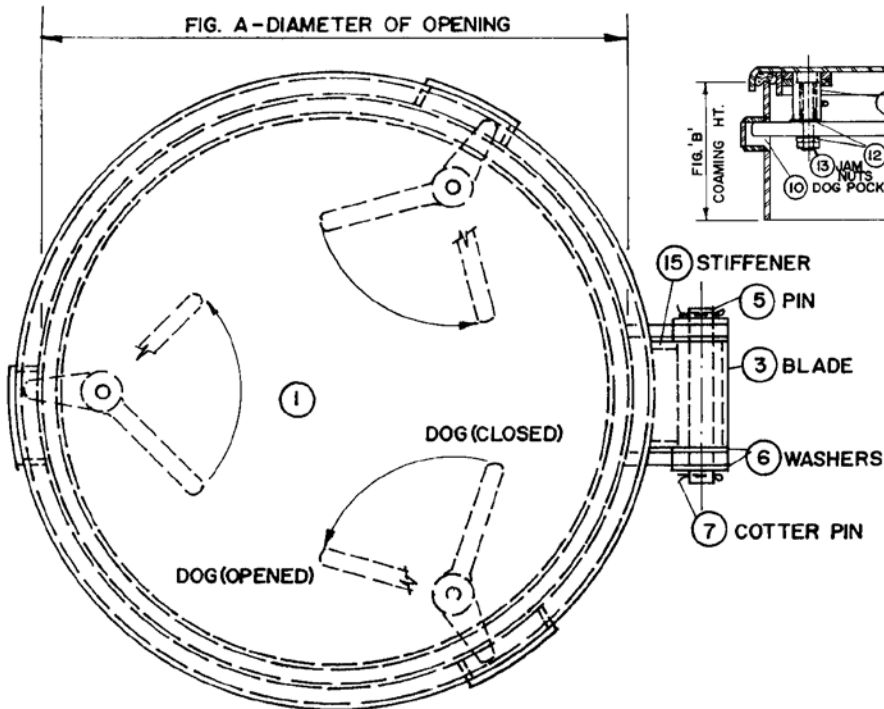
Drawing Number 405

Schedule Of Materials

Pc. No.	Material	Pc. No.	Material
1	Mild Steel	10	Mild Steel
2	Mild Steel	11	Graphite
3	Mild Steel	12	Delrin
4	Mild Steel	13	Steel
5	Cold Finish	14	Mild Steel
6	Brass	15	Mild Steel
7	Brass	16	Mild Steel
8	Neoprene	17	Mild Steel
9	Mild Steel	18	Mild Steel

- Fun & Flotation
- Anchor & Dock
- Safety
- Electronics
- Trolling Motors
- Lighting
- Electrical
- Topside Acc.
- Cockpit & Deck
- Instruments
- Steering, Controls
- Perform.
- Fuel System
- Engine & Parts
- Engine Care
- Propellers
- Seating & Pedestals
- Tops & Covers
- Pumps
- Cleaning & Care
- Paint & Paint Acc.
- Hardware, Fasteners
- Trailer
- Misc.

Watertight Scuttle Operate Below Only



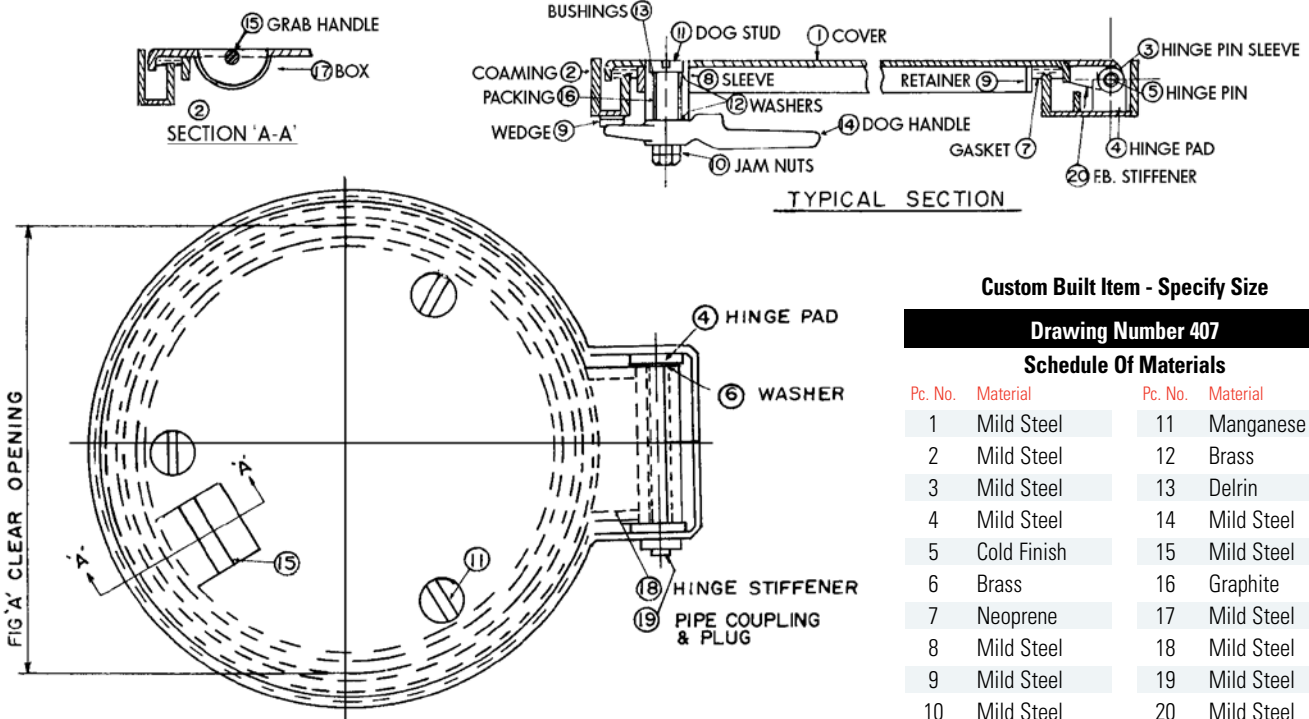
Custom Built Item - Specify Size

Drawing Number 406

Schedule Of Materials

Pc. No.	Material	Pc. No.	Material
1	Mild Steel	9	Mild Steel
2	Mild Steel	10	Mild Steel
3	Mild Steel	11	Mild Steel
4	Mild Steel	12	Brass
5	Cold Finish	13	Mild Steel
6	Brass	14	Manganese Brz.
7	Brass	15	Mild Steel
8	Neoprene		

Watertight Flush Scuttle



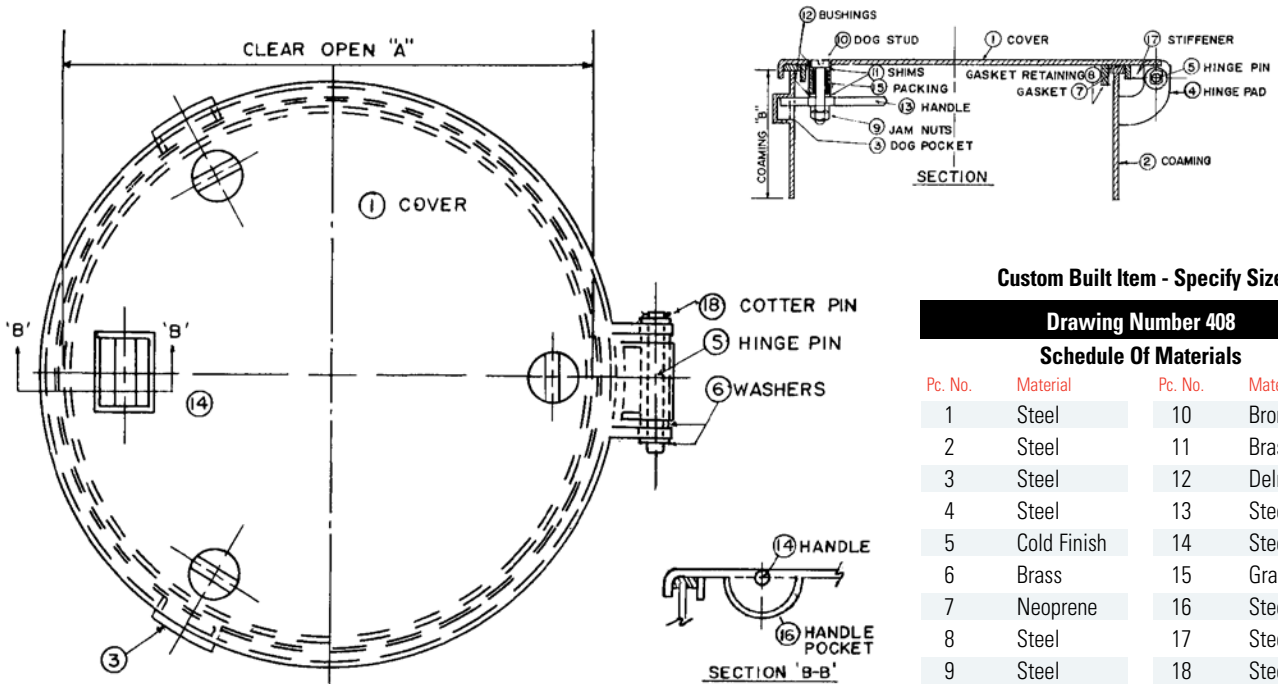
Custom Built Item - Specify Size

Drawing Number 407

Schedule Of Materials

Pc. No.	Material	Pc. No.	Material
1	Mild Steel	11	Manganese Brz.
2	Mild Steel	12	Brass
3	Mild Steel	13	Delrin
4	Mild Steel	14	Mild Steel
5	Cold Finish	15	Mild Steel
6	Brass	16	Graphite
7	Neoprene	17	Mild Steel
8	Mild Steel	18	Mild Steel
9	Mild Steel	19	Mild Steel
10	Mild Steel	20	Mild Steel

Watertight Raised Scuttle Flush Cover



Custom Built Item - Specify Size

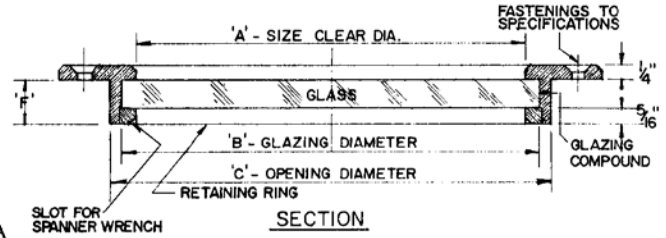
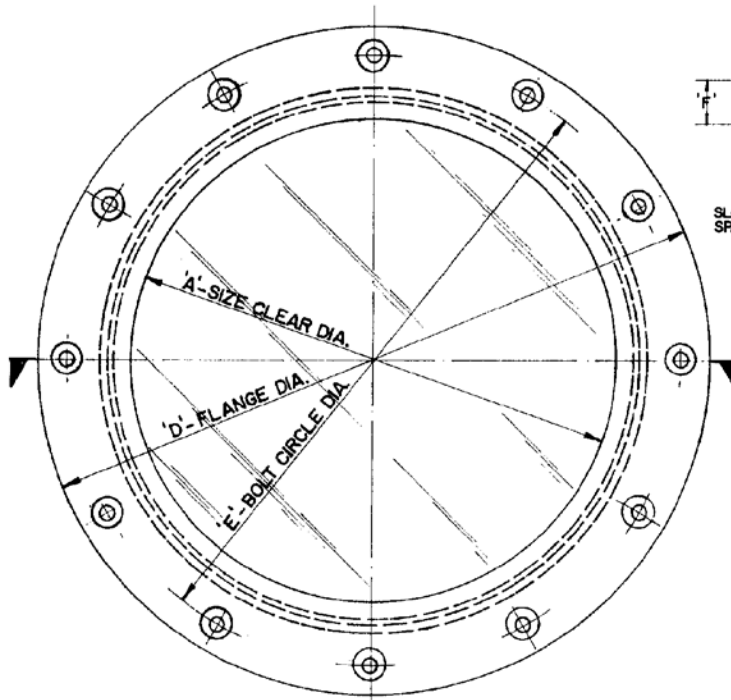
Drawing Number 408

Schedule Of Materials

Pc. No.	Material	Pc. No.	Material
1	Steel	10	Bronze
2	Steel	11	Brass
3	Steel	12	Delrin
4	Steel	13	Steel
5	Cold Finish	14	Steel
6	Brass	15	Graphite
7	Neoprene	16	Steel
8	Steel	17	Steel
9	Steel	18	Steel

- Fun & Flotation
- Anchor & Dock
- Safety
- Electronics
- Trolling Motors
- Lighting
- Electrical
- Topside Acc.
- Cockpit & Deck
- Instruments
- Steering, Controls
- Perform.
- Fuel System
- Engine & Parts
- Engine Care
- Propellers
- Seating & Pedestals
- Tops & Covers
- Pumps
- Cleaning & Care
- Paint & Paint Acc.
- Hardware, Fasteners
- Trailering
- Misc.

Plain Fixed Light



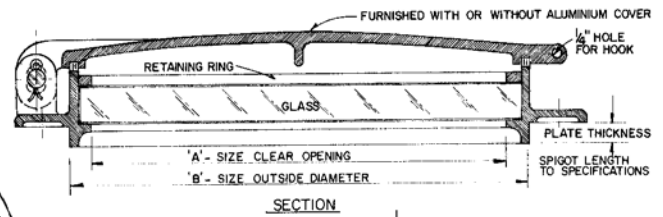
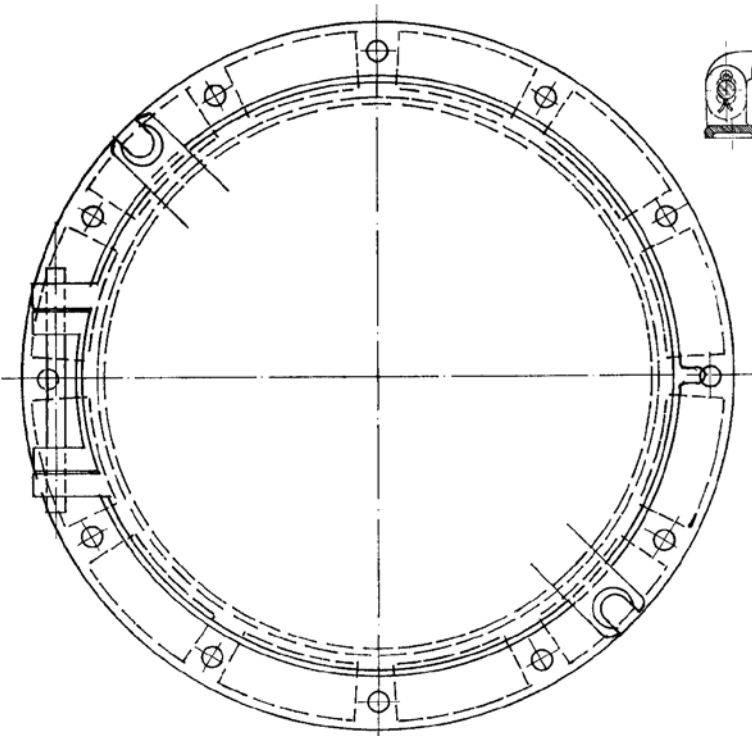
Custom Built Item - Specify Size

Drawing Number 500

Dimension Schedule

A	B	C	D	E	F
10"	10-1/2"	11-1/16"	13-1/4"	12-1/4"	1-1/16"
12"	12-1/2"	13"	15-3/16"	14-3/16"	1-1/4"
16"	16-1/2"	17"	19-1/2"	18-1/2"	1-3/8"

Reversed Fixed Light



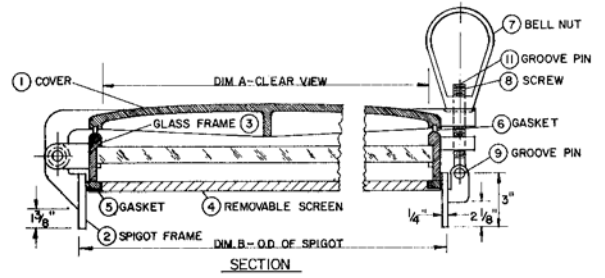
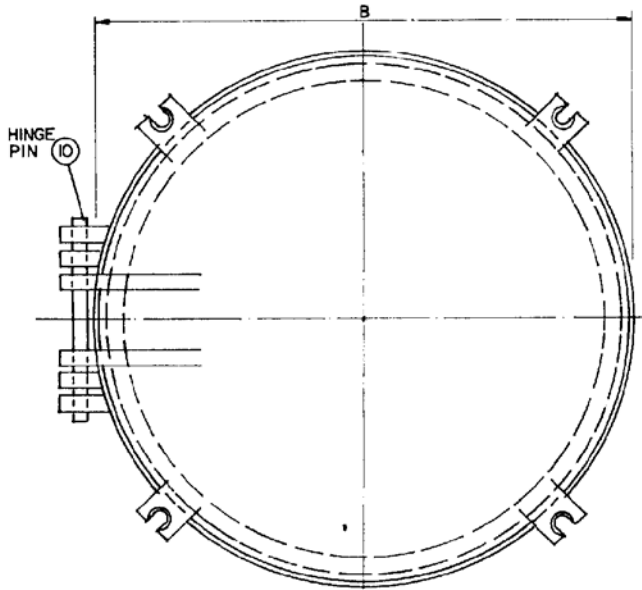
Custom Built Item - Specify Size

Drawing Number 600

A Size Clr. Op.	Spigot Max. Lt.	B Size O.S. Dia.	Ovall Dia.	Bolt Hole
10"	0-1/2"	11"	13-5/8"	5/16"
12"	0-1/2"	13-1/8"	15-7/8"	3/8"
16"	0-1/2"	17-1/4"	20-3/8"	1/2"

- Fun & Flotation
- Anchor & Dock
- Safety
- Electronics
- Trolling Motors
- Lighting
- Electrical
- Topside Acc.
- Cockpit & Deck
- Instruments
- Steering, Controls
- Perform.
- Fuel System
- Engine & Parts
- Engine Care
- Propellers
- Seating & Pedestals
- Tops & Covers
- Pumps
- Cleaning & Care
- Paint & Paint Acc.
- Hardware, Fasteners
- Trailer
- Misc.

Steel Back Portlight – Weld In



Custom Built Item - Specify Size

Drawing Number 700

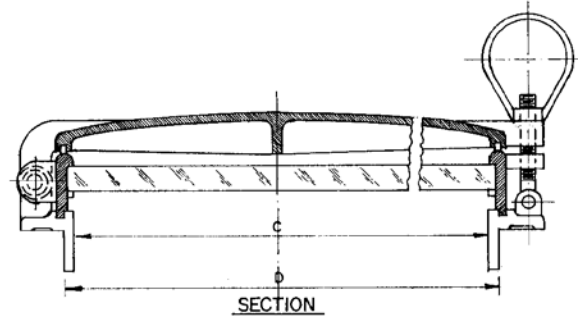
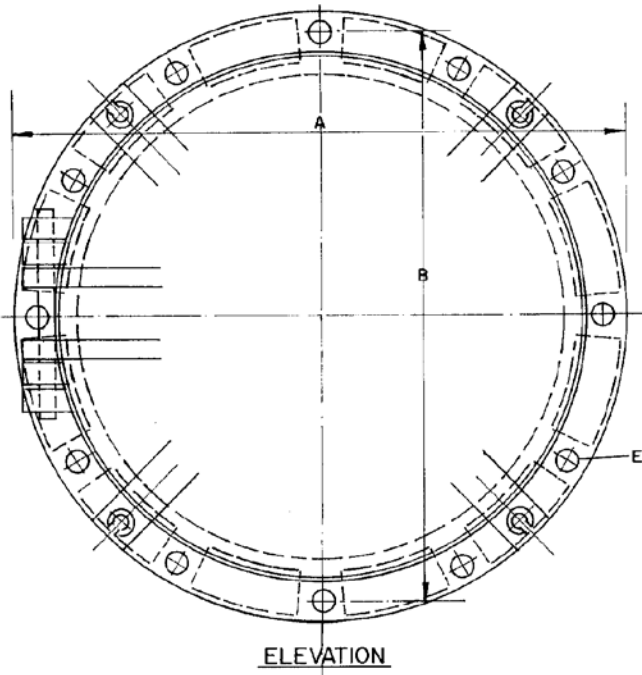
Schedule Of Materials

Pc. No.	Material	Pc. No.	Material
1	Aluminum	7	Brass
2	Steel	8	Brass
3	Brass	9	Stainless
4	Brass	10	Brass
5	Neoprene	11	Stainless
6	Neoprene		

Dimension Schedule

Size	12	14	16	18
A	12"	14"	26"	18"
B	23-1/2"	15-1/2"	17-1/2"	19-1/2"

Portlight - Bolt On



Custom Built Item - Specify Size

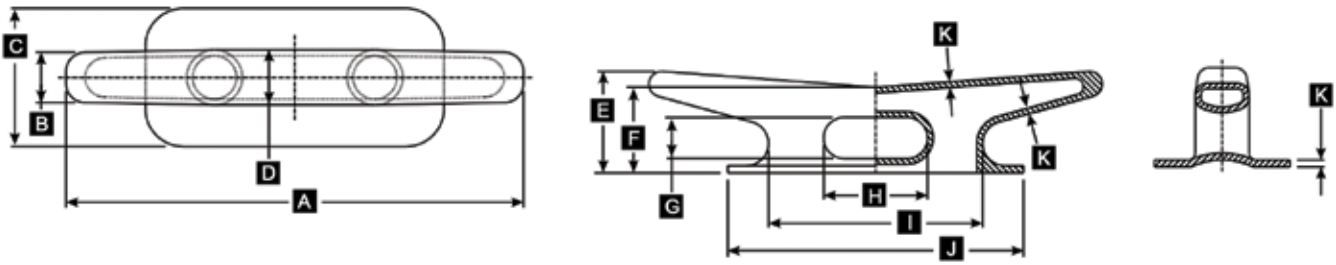
Drawing Number 800

Dimension Schedule

Size	10	12	14	16	18
A	14-1/4"	16"	18"	20-3/8"	22-3/4"
B	12-3/4"	14-3/4"	17"	18-7/8"	21-1/8"
C	10"	12"	14"	16"	18"
D	10-3/8"	12-3/8"	14-3/8"	16-1/2"	18-1/2"
E	1/2"	1/2"	1/2"	1/2"	1/2"

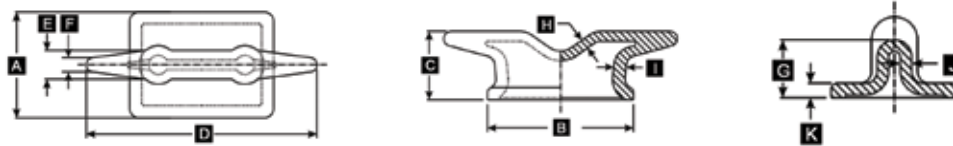
- Fun & Flotation
- Anchor & Dock
- Safety
- Electronics
- Trolling Motors
- Lighting
- Electrical
- Topside Acc.
- Cockpit & Deck
- Instruments
- Steering, Controls
- Perform.
- Fuel System
- Engine & Parts
- Engine Care
- Propellers
- Seating & Pedestals
- Tops & Covers
- Pumps
- Cleaning & Care
- Paint & Paint Acc.
- Hardware, Fasteners
- Trailering
- Misc.

Kevel Chock - Cast Steel



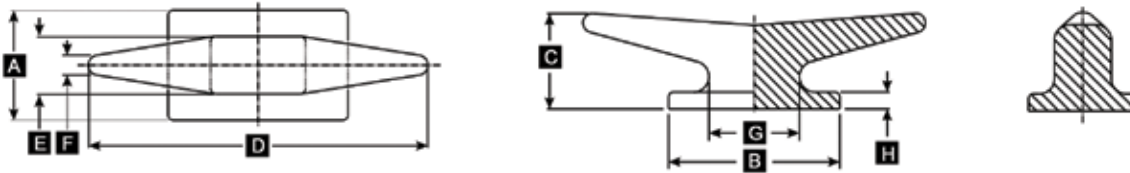
Order No.	Similar to Nabrico Part #	A	B	C	D	E	F	G	H	I	J	K	Weight	Price
310083	DF-30	24"	3"	7.5"	4"	5.63"	5.13"	2.25"	3.25"	9"	10.5"	.5"	50 lbs.	\$135.98 C
310095	-	30"	3.25"	9.5"	4"	7"	5.62"	2.38"	6.88"	14"	20.25"	.5"	75 lbs.	\$198.98 C
310108	DF-482	36"	4"	11"	5"	8"	6.75"	3.25"	8.25"	17"	23.5"	.56"	98 lbs.	\$290.98 C
310110	DF-483	42"	4.75"	12.5"	6"	9"	7.88"	4.13"	9.63"	20"	26.75"	.53"	168 lbs.	\$403.98 C
310122	DF-484	48"	5.5"	14"	7"	10"	9"	5"	11"	23"	30"	.65"	220 lbs.	\$527.98 C

Small Barge Kevel with Large Base - Cast Steel



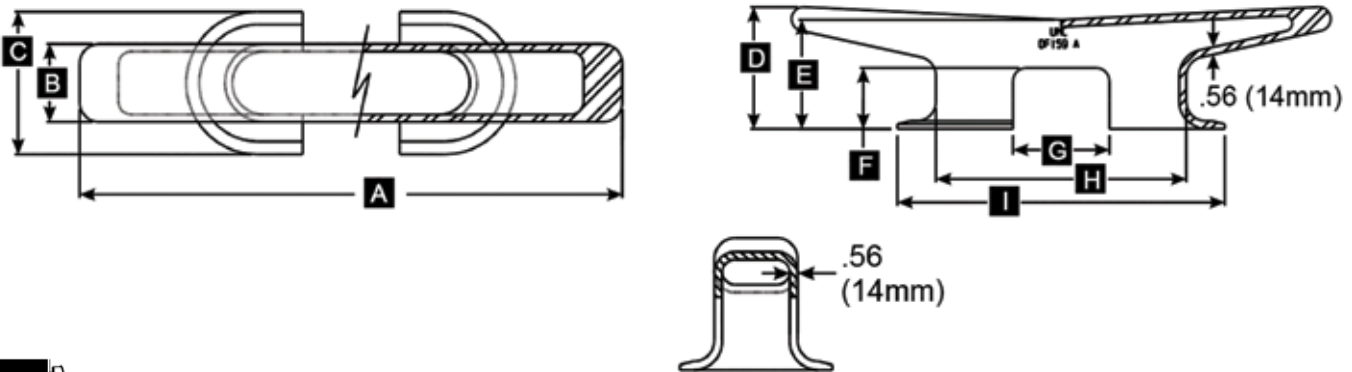
Order No.	Similar to Nabrico Part #	A	B	C	D	E	F	G	H	I	J	K	Weight	Price
309994	N/A	5.5"	7.5"	3.5"	12"	1.5"	.75"	2.5"	.5"	.63"	.5"	.63"	12 lbs.	\$35.98 C

Small Barge Kevel - Cast Steel



Order No.	Similar to Nabrico Part #	A	B	C	D	E	F	G	H	Weight	Price
310007	DF-518	5.5"	9"	5"	18"	2.88"	1"	4.75"	.88"	34 lbs.	\$89.98 C

Large Barge Kevels - Open Base - Cast Steel



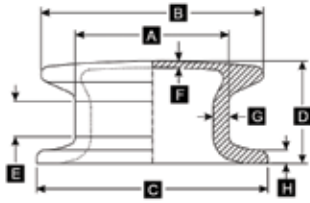
Order No.	Similar to Nabrico Part #	A	B	C	D	E	F	G	H	I	Weight	Price
310033	DF-48A	36"	5"	10"	7.13"	5.88"	3.5"	5"	16.5"	22.5"	81 lbs.	\$213.98 C
310045	DF-36A	42"	6"	11"	7.5"	6.5"	3.25"	7.5"	19.5"	25.5"	114 lbs.	\$297.98 C
310057	DF-159A	48"	6.5"	11"	10"	8.75"	5"	8"	21"	27"	175 lbs.	\$405.98 C

SPECIAL HANDLING MAY APPLY



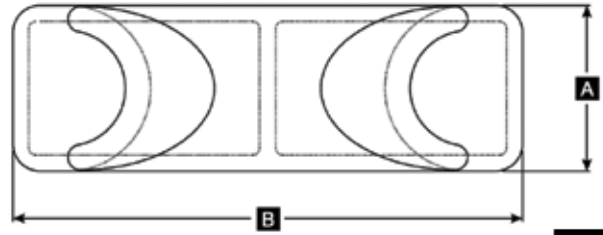
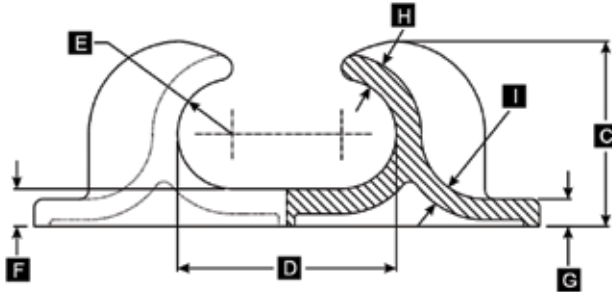
- Fun & Flotation
- Anchor & Dock
- Safety
- Electronics
- Trolling Motors
- Lighting
- Electrical
- Topside Acc.
- Cockpit & Deck
- Instruments
- Steering, Controls
- Perform.
- Fuel System
- Engine & Parts
- Engine Care
- Propellers
- Seating & Pedestals
- Tops & Covers
- Pumps
- Cleaning & Care
- Paint & Paint Acc.
- Hardware, Fasteners
- Trailer
- Misc.
- Comm.

Button Chocks



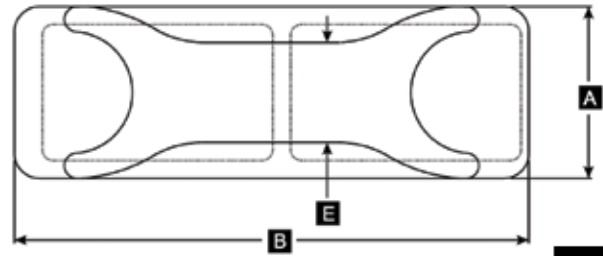
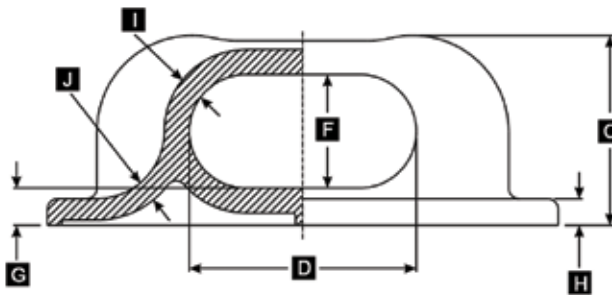
Order No.	Similar to Nabrico Part #	A	B	C	D	E	F	G	H	Weight	Price
309751	DF-192	6"	8.5"	12"	4.13"	1.13"	.75"	.75"	.52"	38 lbs.	\$98.98 C
309763	DF-473	8.6"	12.5"	13"	5.75"	2"	.38"	.88"	.75"	75 lbs.	\$199.98 C
309787	DF-185	10"	15"	17"	8.5"	N/A	.5"	1"	.63"	144 lbs.	\$350.98 C

Open Chocks



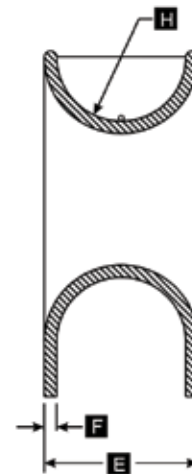
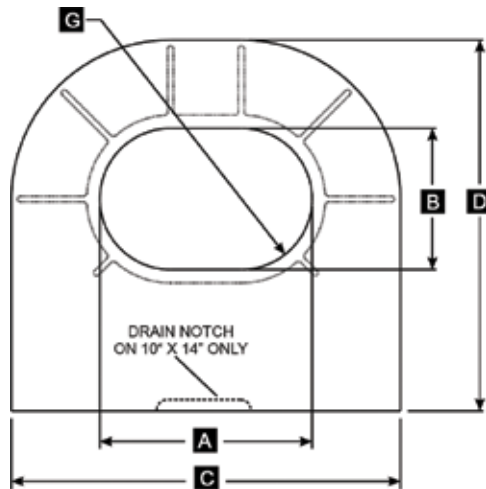
Order No.	Similar to Nabrico Part #	A	B	C	D	E	F	G	H	I	Weight	Price
310259	DF-485	9"	27.75"	10.13"	12"	3" R	2.06"	1.5"	1.375"	1.125"	176 lbs.	\$405.98 C
310261	DF-489	12"	36"	13.38"	16"	4" R	2.63"	2.63"	1.75"	1.5"	435 lbs.	\$936.98 C

Closed Chocks



Order No.	Similar to Nabrico Part #	A	B	C	D	E	F	G	H	I	J	Weight	Price
310273	DF-480	9"	27.75"	10.13"	12"	5.25"	6"	2.06"	1.5"	1.375"	1.125"	176 lbs.	\$421.98 C
310297	DF-490	12"	36"	13.38"	16"	7"	8"	2.63"	1.88"	1.75"	1.5"	455 lbs.	\$980.98 C
310312	N/A	14"	42"	15.63"	18.75"	8.17"	9.38"	3.06"	2.19"	2"	1.75"	725 lbs.	\$1,403.98 C

Panama Chocks



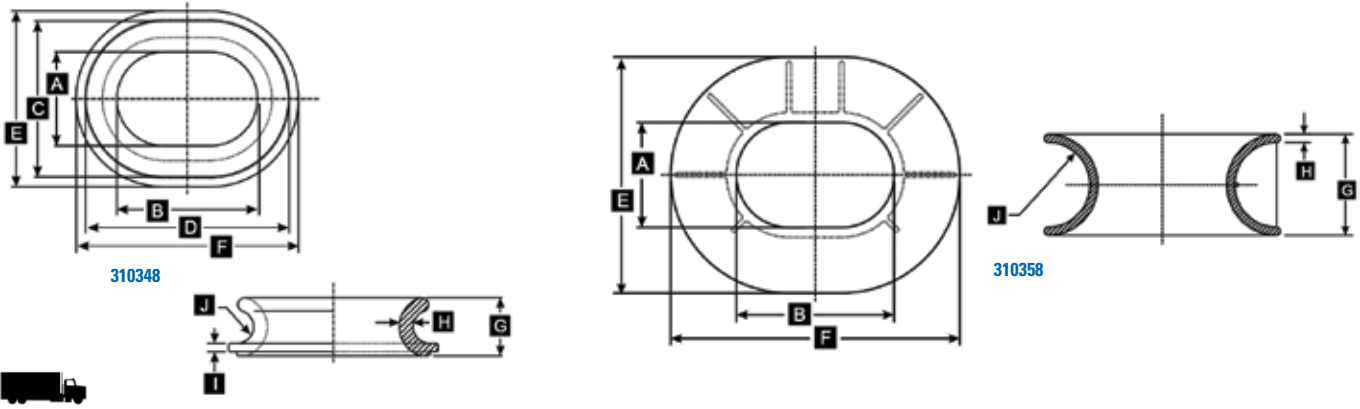
Order No.	Similar to Nabrico Part #	A	B	C	D	E	F	G	H	Weight	Price
310401	N/A	10"	14"	28"	27.25"	14"	.75"	5" R	5.5" R	335 lbs.	\$713.98 C
310415	N/A	12"	18"	33"	31.5"	14"	1.13"	6" R	5.88" R	583 lbs.	\$1,037.98 C



SPECIAL HANDLING MAY APPLY

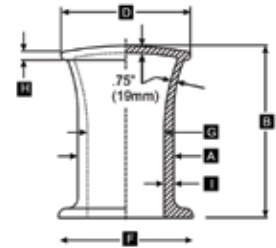
- Fun & Flotation
- Anchor & Dock
- Safety
- Electronics
- Trolling Motors
- Lighting
- Electrical
- Topside Acc.
- Cockpit & Deck
- Instruments
- Steering, Controls
- Perform.
- Fuel System
- Engine & Parts
- Engine Care
- Propellers
- Seating & Pedestals
- Tops & Covers
- Pumps
- Cleaning & Care
- Paint & Paint Acc.
- Hardware, Fasteners
- Trailering
- Misc.

Mooring Eyes



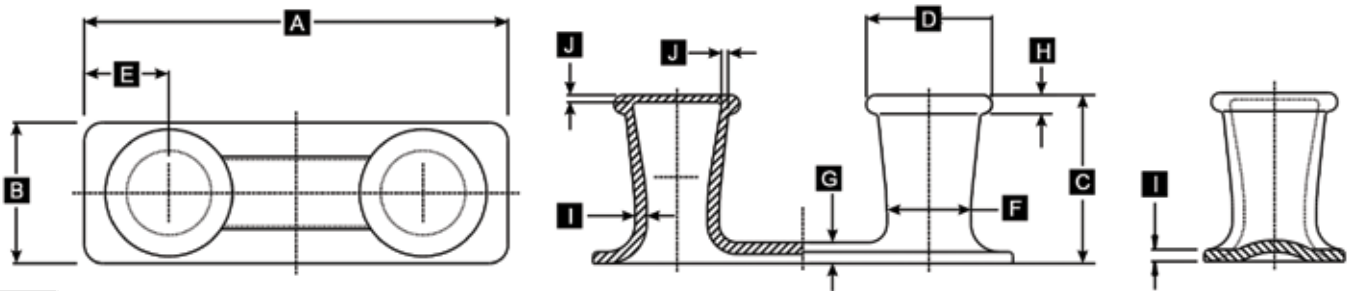
Order No.	Similar to Nabrico Part #	A	B	C	D	E	F	G	H	I	J	Weight	Price
310348	DF-528	8"	12"	13.31"	19"	15"	17.5"	5.25"	1.25"	.75"	1.5" R	102 lbs.	\$281.98 C
310358	N/A	12"	18"	N/A	N/A	27"	33"	14"	1.13"	N/A	5.88" R	467 lbs.	\$946.98 C
310375	N/A												\$973.98 C

Single Bitt



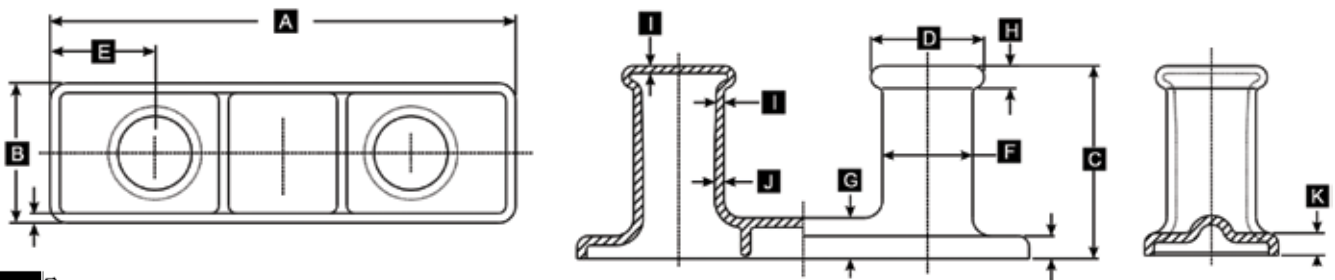
Order No.	Similar to Nabrico Part #	A	B	C	D	E	F	G	H	I	Weight	Price
310158	DF-SB10	10"	18"	N/A	13.5"	N/A	14"	8"	1.46"	1"	190 lbs.	\$441.98 C

Double Bitts



Order No.	Similar to Nabrico Part #	A	B	C	D	E	F	G	H	I	J	Weight	Price
310209	DF-2	40"	14"	16"	11"	8"	7"	2"	2"	1.25"	.75"	320 lbs.	\$696.98 C
310210	DF-40	45"	15"	18"	13.5"	9"	9"	2.25"	2"	1.25"	.75" R	574 lbs.	\$1,212.98 C

Large Double Bitts



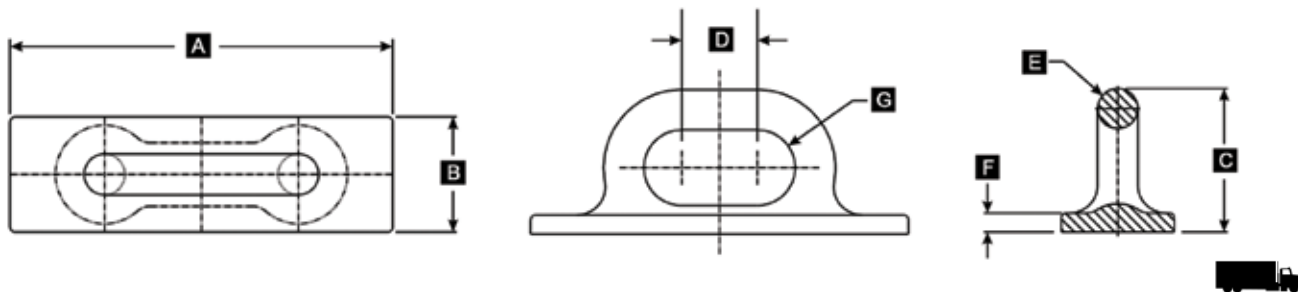
Order No.	Similar to Nabrico Part #	A	B	C	D	E	F	G	H	I	J	K	Weight	Price
310220	DF-491	60"	18"	25.5"	15"	13.5"	12"	5.4"	3"	1"	1.25"	3"	1,045 lbs.	\$2,148.98 C
310233	DB-14	66"	21"	26.25"	17.5"	13"	14"	5.7"	3.5"	1"	1.5"	3.5"	1,596 lbs.	\$3,555.98 C

SPECIAL HANDLING MAY APPLY

- Fun & Flotation
- Anchor & Dock
- Safety
- Electronics
- Trolling Motors
- Lighting
- Electrical
- Topside Acc.
- Cockpit & Deck
- Instruments
- Steering, Controls
- Perform.
- Fuel System
- Engine & Parts
- Engine Care
- Propellers
- Seating & Pedestals
- Tops & Covers
- Pumps
- Cleaning & Care
- Paint & Paint Acc.
- Hardware, Fasteners
- Trailer
- Misc.
- Comm.

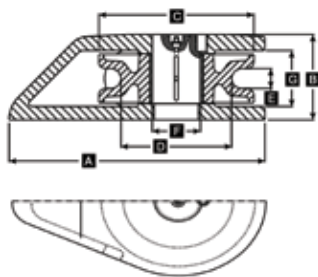


D-Ring



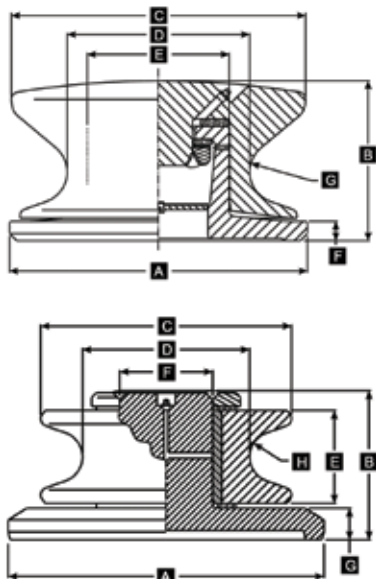
Order No.	Similar to Nabrico Part #	A	B	C	D	E	F	G	Weight	Price
309826	N/A	20"	6"	7.63"	4"	2.13"	1"	2" R	60 lbs.	\$152.98 C

Roller Check



Order No.	Similar to Nabrico Part #	A	B	C	D	E	F	G	Weight	Price
309575	DF-927	13"	4.33"	7.88"	5.63"	1"	2.44"	2.83"	50 lbs.	\$299.98 C

Roller Buttons - Free-Rolling

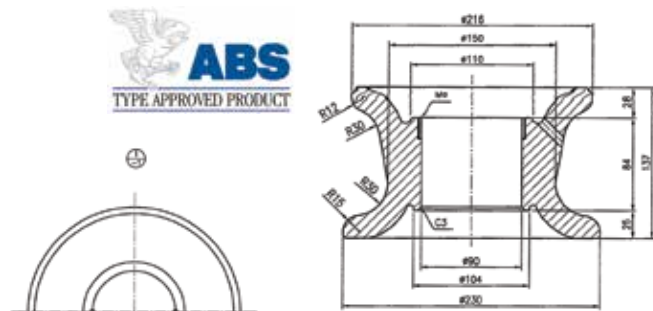


- These are the finest high-load carrying, free-rolling roller buttons that have ever been designed and are manufactured in sizes to suit the needs of boats, seagoing tugs and ships.
- Precision machined parts have working parts coated with an extremely hard coating – 70 Rockwell C-Scale – which is corrosion resistant.
- The buttons will not freeze up as most do, because they are closed at the top.
- The air pocket formed on the inside, makes it practically impossible for water to enter the working parts.
- Before shipment, the roller buttons are completely lubricated and should need only occasional attention after installation and use.

Order No.	Similar to Nabrico Part #	A	B	C	D	E	F	G	Max. Wire	Weight	Price
309559	RB-11	12.5"	5.29"	11"	8"	5.5"	1"	.78" R	3/4"	100 lbs.	\$556.98 C
309561	RB-12	16.65"	6.8"	12.5"	7.75"	6"	.83"	1.33" R	1"	136 lbs.	\$733.98 C
309573	RB-15	14.86"	7.88"	15"	9.25"	7"	1"	1.56" R	1-1/4"	235 lbs.	\$1,123.98 C

Order No.	Similar to Nabrico Part #	A	B	C	D	E	F	G	H	Maximum Wire	Weight	Price
309586	1048	17"	8.03"	13.5"	9"	5"	5"	1.7"	1.38" R	1-1/4"	250 lbs.	\$1,227.98 C

Roller Chocks



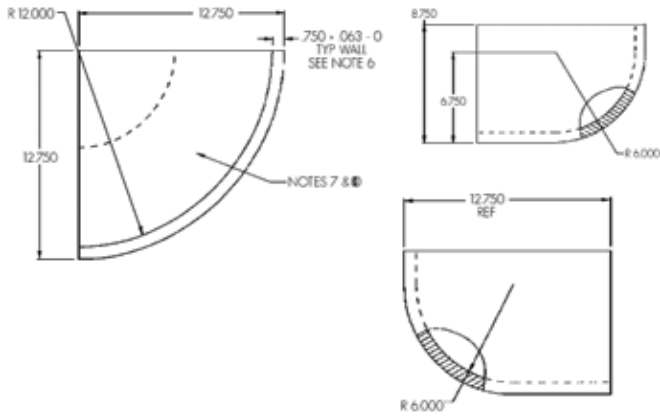
Order No.	Mfg. No. / Description	SWL	Height	Price
309540	(09400-101A)	16 Ton	150 mm	\$633.98 C
309542	(UMC-200C)	29.5 Ton	200 mm	\$788.98 C
309544	(UMC-250C)	36 Ton	250 mm	\$1,093.98 C
309546	(09400-101D)	42 Ton	300 mm	\$1,400.98 C
309548	(09400-101E)	61 Ton	350 mm	\$2,071.98 C
309550	(UMC-400C)	78 Ton	400 mm	\$2,900.98 C
309552	(UMC-450C)	96 Ton	450 mm	\$3,922.98 C
309554	(UMC-500C)	138 Ton	500 mm	\$4,811.98 C



SPECIAL HANDLING MAY APPLY

- Fun & Flotation
- Anchor & Dock
- Safety
- Electronics
- Trolling Motors
- Lighting
- Electrical
- Topside Acc.
- Cockpit & Deck
- Instruments
- Steering, Controls
- Perform.
- Fuel System
- Engine & Parts
- Engine Care
- Propellers
- Seating & Pedestals
- Tops & Covers
- Pumps
- Cleaning & Care
- Paint & Paint Acc.
- Hardware, Fasteners
- Trailer
- Misc.

Barge Corner Square - 49 lbs.



Order No.	Description	Price
S/O	Left Hand	Price On Request
S/O	Right Hand	Price On Request

Roller Button



- Patterson Roller Buttons are different from any other product out there.
- Their unique design features a substantial base that simply won't yield under pressure, and they're made of a high-strength plastic that's nearly indestructible.
- Tested extensively at high-cycle rates that mimic real life, they've been proven to 50 tons.
- Broken roller buttons lead to downtime, hotwork, decreased productivity - and lower profits.
- There's no reason to risk using anything else but ours.
- Rated load: 50 tons.
- Working line load: 50,000 lbs.

Order No.	Mfg. No. / Description	Price
528199	(SRB-50)	\$1,525.00 B

Kolor Kut Water Finding Paste



- For testing for the presence of water at the bottom of fuel storage tanks.
- Suitable only for use with Petrol, Diesel, Kerosene, Gas Oil, Heating Oil, Heavy Oil and Lubricating Oil.
- Applied to a rod/length of string with bottom weight, the brown paste changes colour to brilliant red where it comes into contact with water, giving you a visual indication as to the depth of water present.
- Gauges water content in all petroleum and hydrocarbons as well as sulfuric acid, nitric acid, hydrochloric acid, ammonia, soap solutions, salt and other chloride solutions.

Order No.	Description	Price
441612	3 oz.	\$6.98 F

30 x 30 Stainless Steel Mesh Screen

Order No.	Description	Price
303189	Dimensions: 30" x 30"	\$87.98 F

Gauge Stick

Order No.	Mfg. No. / Description	Price
573231	(BG014) 14' Gauge Stick	\$31.98 F

Self-Aligning Roller Chocks



- The Patterson patent pending Self-Aligning Roller Chocks (S.A.R.C.) are the next evolution in boat to barge coupling.
- Effectively utilized for both face wires and wing wires, the Patterson line of S.A.R.C.'s include all of the features you've come to expect: optimized sheave materials for both synthetic rope and steel cable, rounded edges to minimize wear points, corrosion resistant construction utilizing stainless steel and protective coatings for extended life, and the extreme durability that you've come to associate with the Patterson name.
- Horizontal Alignment Mounting System – In the past, similar types of chocks could only align vertically. This helped extend the life of the rope, but allowed for dangerous side loading that could lead to permanent yielding of the product causing it to become non-functional, or worse, catastrophic failure. With the Patterson Horizontal Alignment Mounting System, the S.A.R.C. becomes the first truly self aligning design, as the entire unit always orients itself to the center of the line pull, both vertically and horizontally, regardless of the angle.
- Spring Loaded Vertical Assist – The protection of your rope is critical, both to ensure safe operating conditions, and to minimize the replacement cost of this expensive consumable. We get this, which is why we created the Spring Loaded Vertical Assist. Using a super high strength torsion spring mechanism, we effectively eliminate the majority of the weight of the sheave housing, allowing your chock to begin aligning with little to no line tension, even when using ultra light synthetic rope. This eliminates abrasion by keeping the rope where it belongs: in the sheave, keeping you safer, and saving you money.

RATED LOAD: 40 TONS. WORKING LINE LOAD: 40,000 LBS.

Order No.	Mfg. No. / Description	Price
528194	(SARC-40) Rope Diameter: 1"	\$2,967.00 B

RATED LOAD: 65 TONS. WORKING LINE LOAD: 65,000 LBS.

Order No.	Mfg. No. / Description	Price
528196	(SARC-65) Rope Diameter 1-1/8"	\$3,340.00 B

Kolor Kut Gas Gauging Paste

- For checking the depth of Gasoline in fuel tanks.
- Applied to a rod / length of string with bottom weight and lowered to the bottom of a Gasoline tank, the paste changes colour where it comes into contact with Gasoline/Petrol, giving you a visual indication as to the depth of the Gasoline.



Order No.	Description	Price
441614	2.25 oz.	\$7.98 F

U.S. Tape Double Duty Gauging Tapes



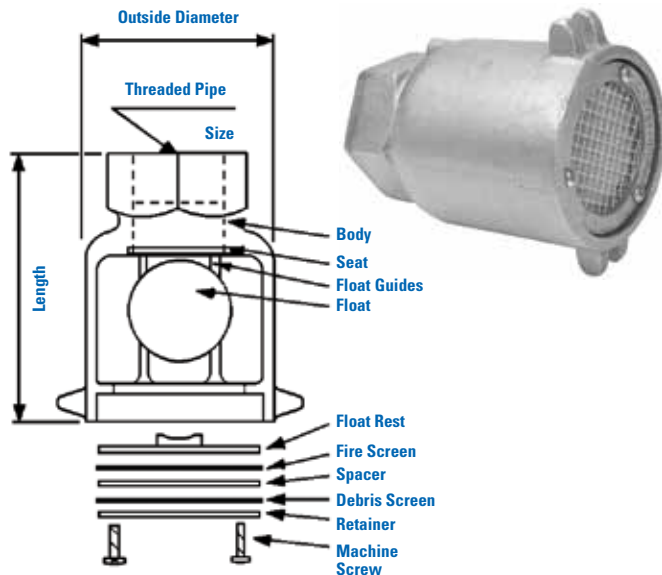
- A chrome plated blade with a black strip along the bottom edge making it useful for working with both dark and light oils/liquids.
- Includes an abrasion and chemical resistant coating.
- Scales in 8ths. Innage.



Order No.	Mfg. No. / Description	Price
507129	(58814) 1/2" x 25' L	\$135.98 F
507131	(58820) 1/2" x 50' L	\$163.98 F
507117	(58899) Plumb Bob - 20 oz. English Innage Bob, Brass	\$48.98 F

- Fun & Flotation
- Anchor & Dock
- Safety
- Electronics
- Trolling Motors
- Lighting
- Electrical
- Topside Acc.
- Cockpit & Deck
- Instruments
- Steering, Controls
- Perform.
- Fuel System
- Engine & Parts
- Engine Care
- Propellers
- Seating & Pedestals
- Tops & Covers
- Pumps
- Cleaning & Care
- Paint & Paint Acc.
- Hardware, Fasteners
- Trailer
- Misc.
- Comm.

Inverted Vent Check Valves



- Venting improves the efficiency of loading and unloading cargo by eliminating dangerous pressure or vacuum buildup.
- Inverted Vent Check Valves add a measure of security, preventing deck wash, deck fire and debris from traveling through the vent.
- Approved for installation aboard USCG inspected vessels.
- Heavy cast construction, with weighted heavy gauge ball float.
- Available in bronze, zinc/coated steel and aluminum.

SIZE 2", OVERALL DIAMETER 4-1/8", OVERALL HEIGHT 6"

Order No.	Mfg. No. / Description	Price
257419	(00BCV200) Bronze	\$442.98 H

SIZE 3", OVERALL DIAMETER 5-1/2", OVERALL HEIGHT 8-3/8"

Order No.	Mfg. No. / Description	Price
257356	(531CV300) Zinc/Coated Iron	\$385.98 H
257433	(00BCV300) Bronze	\$810.98 H

SIZE 4", OVERALL DIAMETER 7-1/8", OVERALL HEIGHT 9-1/2"

Order No.	Mfg. No. / Description	Price
257445	(00BCV400) Bronze	\$1,158.98 H

Pro-Mar Inverted Tank Vent Valve



- The PM-1 series is designed to prevent seawater from entering tanks, while allowing air or vapor from within the tank to escape when the tank is being filled, and take in air when tank is being discharged.
- Tank vents are also needed for tanks in the storage mode to allow them to "breathe".
- Corrosion resistant flame screens are also included to provide ignition protection when venting fuel oil tanks.
- 4 guide ribs assure proper sealing.
- Recessed cap eliminates catch points.
- Investment casting allows for higher accuracy and repeatability during the casting process.
- ABS Approved.
- Connection type: Threaded.

Order No.	Mfg. No. / Description	Price
290750	(1.5-PM1-GS-T) Size 1-1/2" Galvanized	\$128.98 E
290752	(2-PM1-GS-T) Size 2" Galvanized	\$168.98 E
290754	(3-PM1-GS-T) Size 3" Galvanized	\$232.98 E
290756	(4-PM1-GS-T) Size 4" Galvanized	\$328.98 E
290762	(1.5-PM1-B-T) Size 1-1/2" Bronze	\$224.98 E
290764	(2PM1-B-T) Size 2" Bronze	\$328.98 E
290765	(2.5-PM1-B-T) Size 2-1/2" Bronze	\$379.98 E
290766	(3-PM1-B-T) Size 3" Bronze	\$504.98 E
290768	(4-PM1-B-T) Size 4" Bronze	\$720.98 E
290780	(1.5-PM1-A-T) Size 1-1/2" Aluminum	\$124.98 E
290782	(2-PM1-A-T) Size 2" Aluminum	\$168.98 E
290784	(3-PM1-A-T) Size 3" Aluminum	\$240.98 E
290786	(4-PM1-A-T) Size 4" Aluminum	\$316.98 E

Winel Tank Vent Check Valves - Type RM (ANSI 150)



- Standard type.
- Galvanised steel (thickness according IACS rules).
- With PE Float ball.
- With flange acc. ANSI 150 lbs. B1
- Slip on flange with raised face 1.6 mm.
- Airflow velocity: Max. 4 m/s.
- With Screen.

Order No.	Mfg. No. / Description	Price
281703	(RM0040-1010) 1-1/2" Vertical	\$247.98 C
281705	(RM0050-1510) 2" Vertical	\$265.98 C
281707	(RM0065-2010) 2-1/2" Vertical	\$300.98 C
281709	(RM0080-2510) 3" Vertical	\$343.98 C
281711	(RM100-3010) 4" Vertical	\$433.98 C
281713	(RM125-3510) 5" Vertical	\$591.98 C
281715	(RM150-4010) 6" Vertical	\$790.98 C

Winel Tank Vent Check Valves - Type RM (ANSI 150) - Double Valve



- Standard type.
- Galvanised steel (thickness according IACS rules).
- With PE Float ball.
- With flange acc. ANSI 150 lbs. B1
- Slip on flange with raised face 1.6 mm.
- Airflow velocity: Max. 4 m/s.
- With Screen.

Order No.	Mfg. No. / Description	Price
281717	(RM200-5010) 8" Vertical	\$1,197.98 C
281719	(RM250-5510) 10" Vertical	\$1,593.98 C

- Fun & Flotation
- Anchor & Dock
- Safety
- Electronics
- Trolling Motors
- Lighting
- Electrical
- Topside Acc.
- Cockpit & Deck
- Instruments
- Steering, Controls
- Perform.
- Fuel System
- Engine & Parts
- Engine Care
- Propellers
- Seating & Pedestals
- Tops & Covers
- Pumps
- Cleaning & Care
- Paint & Paint Acc.
- Hardware, Fasteners
- Trailer
- Misc.

Delta "T" Systems



Delta "T" Systems engineers and manufactures a full line of marine engine room ventilation components and systems for virtually any application.



Fans & Blowers

- All Sizes, Types and Applications
- Any CFM Range
- High Efficiency
- Ultra-High Flow Rates and Static Pressures

Moisture Eliminators

- 97 Percent Efficiency
- Custom Sizes and Designs
- Marine Grade Materials

Fire Dampers

- Any Size or Type
- Round or Rectangular
- Fire Rated Dampers A-0 to A-60

Control Systems

- Full Range of Ventilation Control Systems
- Manual or Fully Automatic
- A/C and D/C Systems

Other Product Lines

- Weather Closures
- Multiple Space Ventilation System
- Grill Vents and Louvers
- Fan Guards
- System Engineering Capabilities

- Fun & Flotation
- Anchor & Dock
- Safety
- Electronics
- Trolling Motors
- Lighting
- Electrical
- Topside Acc.
- Cockpit & Deck
- Instruments
- Steering, Controls
- Perform.
- Fuel System
- Engine & Parts
- Engine Care
- Propellers
- Seating & Pedestals
- Tops & Covers
- Pumps
- Cleaning & Care
- Paint & Paint Acc.
- Hardware, Fasteners
- Trailering
- Misc.

- Fun & Flotation
- Anchor & Dock
- Safety
- Electronics
- Trolling Motors
- Lighting
- Electrical
- Topside Acc.
- Cockpit & Deck
- Instruments
- Steering, Controls
- Perform.
- Fuel System
- Engine & Parts
- Engine Care
- Propellers
- Seating & Pedestals
- Tops & Covers
- Pumps
- Cleaning & Care
- Paint & Paint Acc.
- Hardware, Fasteners
- Trailer
- Misc.

Delta "T" Systems A/C Inline Duct Fans



- Prewired and supplied with a mounting bracket for easy installation.
- Approved for wet locations.
- Suitable for airstream temperatures up to 140° F.
- Easy connection using external wiring box with waterproof gasket.
- Flow rates from 122 CFM to 649 CFM.
- 100% speed controllable.

Order No.	Mfg. No. / Description	Price
436605	(500-804XL) Diameter 4" 115 volt	\$486.98 Q
436612	(500-805XL) Diameter 5" 115 volt	\$494.98 Q
436618	(500-805XL2) Diameter 5" 230 volt	\$593.98 Q
436615	(500-806XL) Diameter 6" 120 volt	\$671.98 Q

Delta "T" Systems Small A/C Axial Fans



- High volume flow rates from 600 CFM to 1,100 CFM.
- Whisper quiet operation.
- Corrosion resistant aluminum housings are provided "mill finish" without paint.

Order No.	Mfg. No. / Description	Price
436585	(500-208281/1) Diameter 8" 115 volt	\$587.98 Q
436590	(500-211115) Diameter 11" 115 volt	\$773.98 Q
436595	(500-211230) Diameter 11" 230 volt	\$927.98 Q
436620	(510-IG08) Fan Guard for 436585	\$69.98 Q
436625	(510-IG11E) Fan Guard for 436590 and 436595	\$84.98 Q

Delta "T" Systems Ignition Protected Marine Axial Fans



- High flow rates to 737 CFM.
- Ignition proof application.
- Flanged glass-filled nylon shroud.
- May be configured as a "pusher" or a "puller" fan.
- Sealed direct-drive D/C motor with O-ring seals and stainless steel shaft.
- Dynamically balanced armatures for quiet vibration-free operation.

Order No.	Mfg. No. / Description	Price
436565	(500-309121IP) Diameter 9" 12 volt	\$256.98 Q
436570	(500-309241IP) Diameter 9" 24 volt	\$256.98 Q
436575	(500-311122IP) Diameter 11" 12 volt	\$374.98 Q
436580	(500-311242IP) Diameter 11" 24 volt	\$374.98 Q

Delta "T" Systems Lil' Champ 4" Ignition Protected DC Blowers



- Flow rates to 350 CFM.
- Performs well even under static pressure loads.
- High-impact marine grade plastic housing.
- Internally mounted motor for compact design.
- Sealed D/C direct-drive motor.
- Includes universal powder coated bracket for a wide variety of mounting options.
- Dynamically balanced armatures for quiet vibration-free operation.
- Optional intake hose adaptor available (part No. 505-201251).

Order No.	Mfg. No. / Description	Price
436558	(500-3041211P) Diameter 4" 12 volt	\$336.98 Q
436560	(500-3042421P) Diameter 4" 24 volt	\$334.98 Q
436563	(505-201250) Bracket	\$48.98 Q

Delta "T" Systems Fan



- Fan size: 36"
- 15 HP, 230-460/60/3.

Order No.	Mfg. No. / Description	Price
436832	(500-436000)	POR

Delta "T" Systems DC Fan Control System



- Designed to automatically control engine room ventilation in applications using Delta T Systems DC fans, as well as provide a low and high speed option for manual operation.

Order No.	Mfg. No. / Description	Price
436640	(600DCT1-24) 24 volts Max. Number of Fans: 2 Pairs	\$1,087.98 Q

Delta "T" Systems Adjustable Manual AC Fan Controls



436635

436630

- Designed to be used to control the output of small AC fans.
- Ideally suited to control Delta "T" Systems small AC Axial Fans and Inline Blowers.

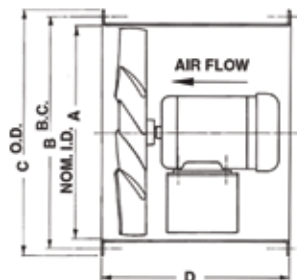
Order No.	Mfg. No. / Description	Price
436630	(600WC15) For a Fan of Up to 15 amps	\$59.98 Q
436635	(600-WC25) For a Fan of Up to 25 amps	\$76.98 Q

Cincinnati Exhaust Fans - Tube Axial Fans



Direct Drive Tube Axial Fans From 12" to 48" Diameter.
Includes Housing and Prop. Guards and Motors are Sold Separately

Fan Size	Motor HP	A	B	C	D
12"	All	12"	13-1/8"	14-1/16"	20"
15"	All	15"	16-1/8"	17-1/16"	20"
18"	All	18"	19-1/8"	20-1/16"	20"
24"	All	24"	25-13/16"	26-11/16"	21"
30"	All	30"	31-3/4"	32-11/16"	22"
34"	All	34"	35-11/16"	37-1/4"	26"
36"	All	36"	37-7/8"	39-1/4"	28"
42"	All	42"	43-9/16"	45-1/4"	29"
48"	3 to 7-1/2	47-3/4"	49-5/8"	51"	31"
48"	10 to 15	47-3/4"	49-5/8"	51"	31"



Fan Size	Prop. No.	Motor HP	Fan RPM	1/8" SP		1/4" SP		3/8" SP		1/2" SP		5/8" SP		3/4" SP		7/8" SP		1" SP		1-1/8" SP		
				CFM	BHP	CFM	BHP	CFM	BHP	CFM	BHP	CFM	BHP	CFM	BHP	CFM	BHP	CFM	BHP	CFM	BHP	CFM
12"	12-6-24	1/2	3450	2035	.39	1976	.40	1912	.42	1840	.44	1755	.46	1643	.48	1439	.50	773	.46	616	.47	
	12-4-30	3/4	3450	2425	.59	2344	.57	2270	.60	2198	.63	2122	.66	2037	.70	1933	.73	1759	.74			
15"	15-6-25	1/3	1750	2032	.17	1869	.18	1608	.19	650	.19	416	.22									
	15-6-36	1/3	1750	2365	.21	2161	.24	1831	.25													
	15-6-43	1/2	1750	2748	.40	2536	.43	2175	.45													
	15-6-25	1-1/2	3450	4204	1.21	4137	1.23	4068	1.25	3999	1.28	3922	1.30	3842	1.33	3757	1.36	3663	1.39	3559	1.42	
	15-4-30	1-1/2	3450	4593	1.35	4473	1.38	4363	1.41	4257	1.43	4151	1.45	4043	1.47	3929	1.46	3804	1.48	3562	1.48	
	15-6-36	2	3450	4954	1.53	4850	1.56	4750	1.59	4652	1.64	4554	1.68	4453	1.72	4347	1.77	4234	1.81	4109	1.86	
18"	18-4-22A	1/3	1750	3193	.28	2914	.31	2554	.32	1100	.27											
	18-6-25	1/2	1750	3427	.27	3204	.31	2944	.35	2556	.38	1329	.36	893	.39							
	18-6-35	1/2	1750	3918	.38	3654	.41	3350	.44	2800	.45											
	18-6-36	3/4	1750	4537	.66	4276	.69	3960	.70													
	18-6-43	1	1750	4915	.76	4689	.79	4469	.83	4222	.86	3873	.88									
24"	24-4-16A	3/4	1750	5881	.62	5445	.65	4931	.65	4171	.65	2652	.63	1630	.61	946	.60					
	24-4-20A	1	1750	6795	.89	6335	.95	5855	1.01	5252	1.03	3778	.86	1486	.85							
	24-6-31	1-1/2	1750	7196	.86	6599	.95	5819	1.01	4489	1.04	2880	1.08	1851	1.18							
	24-4-33	2	1750	9104	1.53	8680	1.61	8272	1.69	7840	1.76	7331	1.81	6593	1.81							
	24-6-41	3	1750	10256	2.28	9885	2.36	9535	2.45	9182	2.54	8809	2.62	8391	2.70	7884	2.75	7138	2.74			
30"	30-6-22	3/4	1150	8048	.59	6800	.60	3716	.54	1894	.63	587	.72									
	30-4-41	2	1150	12034	1.47	11234	1.54	10297	1.64	8783	1.71											
	30-7-37	3	1150	12405	1.92	11847	2.03	11050	2.10	8803	1.96	4903	1.83	3855	1.97	3073	2.13	2398	2.28	1770	2.43	
	30-6-22	3	1750	13155	1.93	12466	2.04	11756	2.11	10954	2.14	9928	2.11	8213	1.99	5550	1.91	4101	2.04	3111	2.19	
	30-4-41	7-1/2	1750	18993	5.14	18474	5.17	17961	5.24	17438	5.35	16890	5.48	16298	5.62	15632	5.77	14837	5.91	13756	6.01	
	30-7-37	10	1750	19277	6.49	18978	6.69	18649	6.88	18283	7.05	17868	7.20	17381	7.32	16779	7.39	15960	7.39	14442	7.15	
34"	34-6-29	1	1150	12035	1.11	10249	1.12	5128	1.14	2685	1.29											
	34-6-26	3	1150	15530	2.01	14663	2.12	13691	2.20	12430	2.23	10025	2.12	6455	1.97	4944	2.07	3887	2.21			
	34-6-29	5	1750	19293	3.77	18570	3.89	17701	3.96	16573	3.98	14834	3.91	10898	3.78	7686	4.02	5877	4.27	4440	4.49	
	34-6-26	10	1750	24369	6.82	23809	7.02	23250	7.20	22682	7.37	22093	7.52	21471	7.65	20797	7.76	20046	7.84	19174	7.87	
36"	36-6-25	1-1/2	1150	13927	1.44	12059	1.46	7931	1.35													
	36-6-26	3	1150	18223	2.45	17344	2.60	16401	2.70	15315	2.77	13904	2.77	11430	2.64	6850	2.42	4606	2.49	2967	2.61	
	36-6-25	5	1750	22339	4.88	21488	5.05	20497	5.15	19291	5.17	17704	5.08	15342	4.89	11882	4.77	8891	4.95	6678	5.22	
	36-6-26	10	1750	28485	8.29	27911	8.56	27340	8.81	26763	9.03	26173	9.23	25563	9.39	24924	9.54	24245	9.65	23510	9.74	
42"	42-6-26	2	850	19071	1.70	17246	1.79	14816	1.79	9922	1.60	4720	1.57	1839	1.73							
	42-6-26	5	1150	26822	4.04	25589	4.23	24277	4.375	22813	4.45	21074	4.46	18777	4.37	15098	4.10	10069	3.82	6781	3.86	
48"	48-6-19	2	850	20743	1.60	18397	1.72	15649	1.80	11489	1.78	4067	1.66									
	48-6-30	5	850	27893	2.88	26242	3.14	24333	3.36	21922	3.54	18339	3.71	12711	4.01	8430	4.43	5606	4.84			
	48-6-19	5	1150	29479	3.79	27777	4.00	26066	4.17	24264	4.31	22268	4.42	19913	4.47	16827	4.44	12027	4.26	6177	4.10	
	48-6-30	10	1150	38684	6.81	37540	7.20	36340	7.56	35058	7.89	33663	8.19	32105	8.46	30309	8.70	28134	8.93	25321	9.16	

Specifications for Tube Axial Fans.

- Propellers shall be statically balanced to assure smooth operation. Propeller shall be spark-resistant cast aluminum.
- All fan drums shall be 12 gauge on sizes 12" to 30" and 10 gauge on sizes 34" to 48".
- Drum flanges shall be rolled as an integral part of the drum on sizes 12" to 42".
- Drum flanges on 48" fans shall be 1-1/2" angle iron rings welded to drum.
- Drum seam shall be continuously welded.

- Fun & Flotation
- Anchor & Dock
- Safety
- Electronics
- Trolling Motors
- Lighting
- Electrical
- Topside Acc.
- Cockpit & Deck
- Instruments
- Steering, Controls
- Perform.
- Fuel System
- Engine & Parts
- Engine Care
- Propellers
- Seating & Pedestals
- Tops & Covers
- Pumps
- Cleaning & Care
- Paint & Paint Acc.
- Hardware, Fasteners
- Trailer
- Misc.

Cincinnati Exhaust Fans



Cincinnati Blower Guard



Order No.	Description	Price
301591	12" Guard	\$136.98 C
301604	15" Guard	\$138.98 C
301616	18" Guard	\$140.98 C
301628	24" Guard	\$146.98 C
301630	30" Guard	\$156.98 C

Baldor Motor



- Ball bearings.
- Suitable for mounting in any position.
- Heavy gauge steel and cast iron frames.
- Frequency: 60 Hz.
- Enclose: TEFC
- Phase: 3.

3 HP BALDOR MOTOR

- 3 HP, 3450 RPM.
- Motor Type: 3532M.
- NEMA Frame: 145T.



Order No.	Mfg. No. / Description	Price
473487	(EM3559T)	\$1,016.98 LQ

7.5 HP BALDOR MOTOR

- 7.5 HP, 1770 RPM.
- Motor Type: 3736M.
- NEMA Frame: 213T.

Order No.	Mfg. No. / Description	Price
473490	(EM3710T)	\$1,549.98 B

Cincinnati Prop Only



FAN SIZE: 12". BLADES: 6.

Order No.	Mfg. No. / Description	Price
301552	(12/6/2024) 24 Pitch, 1/2"	\$166.98 C

FAN SIZE: 18". BLADES: 6.

Order No.	Mfg. No. / Description	Price
301541	(18-6-43 PROP) 43 Pitch, 7/8"	\$399.98 C

SINGLE PHASE MOTORS AVAILABLE BY SPECIAL ORDER

- All Baldor motors are 3 PH 208/230/460 60H.
- Fans to 18" can be shipped UPS.
- 24" and over must go motor freight.



Order No.	Cin. #	Description	RPM	Frame	Price	Order No.	Baldor #	Price
300842	(DDF12-6-24)	1/2 HP Frame/Prop	3450	56	\$389.98 C	473465	(M3537)	\$427.98 B
300854	(DDF12-4-30)	3/4 HP Frame/Prop	3450	56	\$473.98 C	473479	(M3541)	\$471.98 B
	(15-6-25)	1/3 HP Frame/Prop	1750	56	POR		(M3534)	POR
	(15-6-36)	1/3 HP Frame/Prop	1750	56	POR		(M3534)	POR
	(15-6-43)	1/2 HP Frame/Prop	1750	56	POR		(M3538)	POR
	(15-6-25)	1-1/2 HP Frame/Prop	3450	56	POR		(M3550)	POR
	(15-4-30)	1-1/2 HP Frame/Prop	3450	56	POR		(M3550)	POR
300878	(DDF15-6-36)	2 HP Frame/Prop	3450	56	\$488.98 C	473484	(M3555)	\$676.98 B
	(18-4-22A)	1/3 HP Frame/Prop	1750	56	POR		(M3534)	POR
	(18-6-25)	1/2 HP Frame/Prop	1750	56	POR	473480	(M3542)	\$487.98 B
300892	(DDF18-6-43)	1 HP Frame/Prop	1750	56	\$657.98 C	473482	(M3546)	\$506.98 B
300990	(DDF24-4-16A)	3/4 HP Frame/Prop	1750	56	\$625.98 C	473480	(M3542)	\$487.98 B
	(24-4-20A)	1 HP Frame/Prop	1750	56	POR	473482	(M3546)	\$506.98 B
	(24-6-31)	1-1/2 HP Frame/Prop	1750	56	POR		(M3554)	POR
	(24-4-33)	2 HP Frame/Prop	1750	145T	POR		(M3558)	POR
300993	(DDF24-6-41)	3 HP Frame/Prop	1750	182T	\$861.98 C	473493	(EM3611T)	\$981.98 B
	(30-6-22)	3/4 HP Frame/Prop	1150	143T	POR		(M3543T)	POR
	(30-4-41)	2 HP Frame/Prop	1150	184T	POR		(M3614T)	POR
	(30-7-40)	3 HP Frame/Prop	1150	213T	POR		(M3704T)	POR
	(30-6-22)	3 HP Frame/Prop	1750	182T	POR	473493	(EM3611T)	\$981.98 B
301095	(DDF30-4-41)	7.5 HP Frame/Prop	1750	213T	POR	473490	(M3710T)	\$1,236.98 C
	(30-7-40)	10 HP Frame/Prop	1750	215T	POR		(M3774T)	POR
	(34-6-29)	1 HP Frame/Prop	1150	145T	POR		(M3556T)	POR
	(34-6-25)	1-1/2 HP Frame/Prop	1150	182T	POR		(M3667T)	POR
	(34-6-26)	3 HP Frame/Prop	1150	213T	POR		(M3704T)	POR
	(34-6-29)	5 HP Frame/Prop	1750	184T	POR		(M3615T)	POR
	(34-6-25)	5 HP Frame/Prop	1750	184T	POR		(M3615T)	POR
	(34-6-26)	10 HP Frame/Prop	1750	215T	POR		(M3774T)	POR
	(34-6-26)	10 HP Frame/Prop	1750	215T	POR		(M3714T)	POR
	(42-6-26)	2 HP Frame/Prop	850	213T	POR		(M3702T)	POR
	(42-6-26)	5 HP Frame/Prop	1150	215T	POR		(M3768T)	POR
	(48-6-19)	2 HP Frame/Prop	850	213T	POR		(M3702T)	POR
	(48-6-19)	3 HP Frame/Prop	1150	213T	POR		(M3704T)	POR
	(48-6-30)	5 HP Frame/Prop	850	254T	POR		(M2280T)	POR
	(48-6-30)	10 HP Frame/Prop	1150	256T	POR		(M2332T)	POR

- Fun & Flotation
- Anchor & Dock
- Safety
- Electronics
- Trolling Motors
- Lighting
- Electrical
- Topside Acc.
- Cockpit & Deck
- Instruments
- Steering, Controls
- Perform.
- Fuel System
- Engine & Parts
- Engine Care
- Propellers
- Seating & Pedestals
- Tops & Covers
- Pumps
- Cleaning & Care
- Paint & Paint Acc.
- Hardware, Fasteners
- Trailer
- Misc.

SPECIAL HANDLING MAY APPLY



Boater Sports Trumpet Horn



- Trumpet bell boat horn.
- All stainless steel.
- Easy hook up to boat's 12 volt system.
- Mounting pads included.
- Dimensions: 16" x 4-1/4" x 5".
- Single.



Order No. Mfg. No. / Description Price
1-58282 (58282) **\$69.95** H

FIAMM Airtone Stainless Steel Electric Horns



- All stainless steel construction for maximum weather ability.
- Stainless steel motor cover and stylish stainless pedestal mounting.
- Includes a projector support for extra ruggedness.
- Single draws 6 amps, twin draws 12 amps.
- 12 volt.



Order No. Mfg. No. / Description Price
605177 (75540-23) Single Dimensions: 16-3/4" x 3-1/2" x 4-3/4" **\$89.98** G
605202 (75550-23) Twin Dimensions: 18" x 7-1/2" x 4-3/4" **\$159.98** G

FIAMM Fultone Twin Air Horns with Compressor Kit



Order No. Mfg. No. / Description Price
605360 (605360-12) Single Dimensions: 16" x 7-1/2" x 4-1/8" **\$189.98** G
605331 (08210-22) 12 volt Compressor Only **\$63.98** G

- The twin air horn is the result of a unique sound chamber design which provides increased sound intensity from low pressure air sources.
- The sleek self-mount styling features dual stainless steel projectors and an anodized aluminum motor housing.
- Includes: Compressor, 8' tubing, horn button and 10' of wiring.
- Dimensions: 16" L x 7-1/2" W x 4-1/8" D.
- Bell diameter: 3-3/4".
- 114 dB @ 1 meter.

Order No. Mfg. No. / Description Price
605331 (62330-14) Stainless Steel 12 volt Compressor **\$180.98** G
605343 (62340-12) Stainless Steel 24 volt Compressor **\$190.98** G
605360 (62350-12) White Powder Coated 12 volt Compressor **\$189.98** G
605608 (08210-22) 12 volt Compressor Only **\$63.98** G

FIAMM Tornado Horns with Compressor Kit



- The ultimate in contemporary styling incorporating the very finest quality components.
- Combination of heavy chrome plated brass and stainless steel for outstanding protection from saltwater.
- All models are tuned for an extra loud and crisp sound.
- This has an unusually low air requirement that guarantees dependability and long life.
- Compressor, mounting pad and hardware installation included.
- Single: 120 dB @ 1 meter. Twin: 122 dB @ 1 meter.
- 12 volt.

Order No. Mfg. No. / Description Price
605350 (63220-14) Single Dimensions: 15-1/2" x 3-3/4" x 4-1/4" **\$214.98** G
605355 (63230-14) Twin Dimensions: 17" x 7-1/4" x 4" **\$306.98** G

Kahlenberg Zero Series Air Horns



- Made entirely of brass with bronze diaphragm.
- Low air consumption allows for use of a very small compress/tank kit.
- Fundamental frequency: 322 Hz.
- Sound pressure level over 122.9 dB.
- Designed for use on vessels less than 20 meters in length.

Order No. Mfg. No. / Description Price
430402 (SOA110) Length 15.92" **\$431.98** |
430405 (SV-0A) Length 20" **\$431.98** |
430417 (P026-64) Bracket **\$74.98** |

Kahlenberg Model S Heavy Duty Marine Air Horns



- All brass and bronze construction.
- Low air consumption, operates on a wide range of air pressure.
- Regular, without valve.
- Fundamental frequency: 266 Hz.
- Sound pressure level over 132 dB.
- Designed for use on vessels less than 75 meters in length.

Order No. Mfg. No. / Description Price
430431 (S1) Diaphragm 5" **\$792.98** C
430443 (S2) Diaphragm 6-3/8" **\$1,023.98** C

- Fun & Flotation
- Anchor & Dock
- Safety
- Electronics
- Trolling Motors
- Lighting
- Electrical
- Topside Acc.
- Cockpit & Deck
- Instruments
- Steering, Controls
- Perform.
- Fuel System
- Engine & Parts
- Engine Care
- Propellers
- Seating & Pedestals
- Tops & Covers
- Pumps
- Cleaning & Care
- Paint & Paint Acc.
- Hardware, Fasteners
- Trailering
- Misc.

Kahlenberg Model D-2 Heavy Duty Marine Air Horns



- All brass and bronze construction.
- Low air consumption, operates on a wide range of air pressure.
- Fundamental frequency: 266 Hz and 212 Hz.
- Sound pressure level over 132 dB.
- Designed for use on vessels less than 75 meters in length.
- Diaphragm 6-3/8".
- Dimensions: 20.5" x 15.5" x 8.5".

Order No.	Mfg. No. / Description	Price
430380	(D2) Regular, without Valve	\$1,930.98 C
430392	(D2-CVL) Includes: Manual/Electric Combination Valve, Air Strainer and Whistle Light Installed	\$3,590.98 C

Kahlenberg Pneumatic Switch



Order No.	Mfg. No. / Description	Price
430289	(V102)	\$167.98 C

Kahlenberg Push Button Switch



- Cast bronze waterproof.
- Suitable for At Will Control of solenoid operated whistle valves wherever electrical whistle control is used.
- Tapped one way for 1/2" conduit connection.

Order No.	Mfg. No. / Description	Price
430280	(M132) 3 Contact	\$304.98 B

Kahlenberg Electric/Manual Combination Valve



- This normally closed combination manual/electric solenoid valve is ideal for marine use.
- Brass valve body.
- Includes manual override for safety in case of electrical failure onboard.
- 3/8" NPT.

Order No.	Mfg. No. / Description	Price
430271	(V150AL-110)	\$481.98 C

Kahlenberg Electric Solenoid Valves



- Brass valve body.
- Maximum operating air pressure: 200 psi, 14 bar.
- 110 VAC.

Order No.	Mfg. No. / Description	Price
430269	(V-150C) 3/8" NPT	\$339.98 C
430276	(V-151C) 1/2" NPT	\$369.98 C

Kahlenberg Whistle Control



- Fully enclosed, flush mount electronic device which provides for the automatic control of the ship's whistle.
- Besides serving as a fog signal timer for sounding codes in restricted visibility, it performs maneuvering codes, danger code, general alarm and incorporates an "at-will" push button.
- Maneuvering Codes: Altering course to starboard, port, astern, danger.
- Start/stop automatic function.
- General alarm function (IMO/SOLAS) with accidental touch protection.
- Red LED illumination.
- Waterproof console mount.
- 110 volt.

Order No.	Mfg. No. / Description	Price
430484	(M-511C)	\$1,918.98 B

Kahlenberg Auto Console Whistle



Order No.	Mfg. No. / Description	Price
203151	(15601 120VAC)	\$1,149.98 LQ

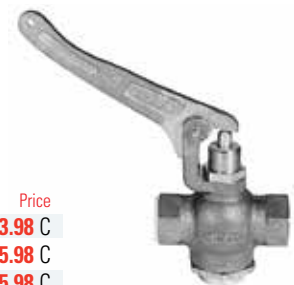
Kahlenberg At Will Manual Control Switch



- Push button.
- Console mount, interior.
- Maximum: 500 volts @ 2 amps.
- Type: Momentary N.O. poles circuit: SPST, 10A rated contacts.

Order No.	Mfg. No. / Description	Price
430285	(19220)	\$90.98 B

Kahlenberg Manual Valves



Order No.	Mfg. No. / Description	Price
430291	(V-11) 1/4" NPT	\$163.98 C
430304	(V-12) 3/8" NPT	\$185.98 C
430316	(V-13) 1/2" NPT	\$205.98 C

Kahlenberg Spare Diaphragms



Order No.	Mfg. No. / Description	Price
430330	(P28-5) 5"	\$48.98 C
430342	(P28-6) 6-3/8"	\$61.98 C

- Fun & Flotation
- Anchor & Dock
- Safety
- Electronics
- Trolling Motors
- Lighting
- Electrical
- Topside Acc.
- Cockpit & Deck
- Instruments
- Steering, Controls
- Perform.
- Fuel System
- Engine & Parts
- Engine Care
- Propellers
- Seating & Pedestals
- Tops & Covers
- Pumps
- Cleaning & Care
- Paint & Paint Acc.
- Hardware, Fasteners
- Trailer
- Misc.
- Comm.

Buell Self-Powered Horn



- Creates deep-toned signals from a 22" chrome plated brass instrument bell.
- A pull of the handle is all that is required to produce the blast, making it an excellent standby signal for power failures.
- Frequency: 261 Hz.
- Dimensions: 23" L x 8" H x 7" diameter flare.

Order No.	Mfg. No. / Description	Price
265531	(5400)	\$515.98 G

Buell Horn Duplex Bracket



- Combine Buell single note horns with a horn bracket to produce a distinctive, powerful signal - a beautifully blended musical chord.
- Brass construction with chrome finish.
- A mounting kit consisting of gaskets, stainless steel mounting screws, lockwashers and tube fitting is included.

Order No.	Mfg. No. / Description	Price
265428	(1085)	\$87.98 F

Buell Manual Air Valve



- Brass body.
- 1/8" NPT ports.

Order No.	Mfg. No. / Description	Price
265454	(2040)	\$54.98 F

Buell Air Compressor - Moderate Duty



- Oil-less air compressor mount in any position and have no outside moving parts.
- The automatic pressure switch maintains air pressure levels.
- 125 PSI, 18 amps, 1.1 CFM.
- Dimensions: 8.5" L x 4" W x 7" H.
- 12 volt.

Order No.	Mfg. No. / Description	Price
265534	(5440 12 VOLT)	\$648.98 G

Buell Strombos Air Horns



- Low pressure single note air horns with tremendous power... operates on 50- 150 PSI.
- Made of solid brass with a chrome plate finish.
- Flare diameter: 6-1/2". Inlet dimensions: 1/8" NPT.

Order No.	Mfg. No. / Description	Frequency	Price
265365	(1061) Length 10"	Frequency: 493 Hz	\$288.98 I
265377	(1062) Length 12"	Frequency: 392 Hz	\$292.98 I
265389	(1063) Length 15"	Frequency: 311 Hz	\$295.98 I
265391	(1064) Length 18"	Frequency: 246 Hz	\$298.98 I

Buell Accessories for Buell Strombos Air Horns



Order No.	Mfg. No. / Description	Price
265404	(1068) Gasket	\$1.98 F
265416	(1069) Diaphragm	\$4.98 F

Buell Electric Solenoid Valve



- For remote control of air horns.
- Fiberglass filled nylon body.
- 1/4" NPT ports and molded coil.
- Intermittent duty - not rated for continuous duty.
- 12 volt.

Order No.	Mfg. No. / Description	Price
265466	(42076)	\$81.98 F

Buell Air Tank



- Made of steel, welded construction with a gray paint finish and (3) 1/4" NPT ports.
- Includes: (2) Steel mounting straps and brass tubing fittings.
- Capacity: 3 Gallons.
- Dimensions: 6" diameter x 25" long.

Order No.	Mfg. No. / Description	Price
265505	(2242)	\$155.98 Q

Federal Signal Vibratone® Bell



- Vibratone heavy duty product line utilizes a modular approach to combine gongs and mechanisms allowing for greater flexibility and selection.
- UL and CUL listed, CSA certified and FM approved.

Order No.	Mfg. No. / Description	Price
327949	(A-6) Diameter 6" 100 dB @ 10'	\$98.98 LQ

- Fun & Flotation
- Anchor & Dock
- Safety
- Electronics
- Trolling Motors
- Lighting
- Electrical
- Topside Acc.
- Cockpit & Deck
- Instruments
- Steering, Controls
- Perform.
- Fuel System
- Engine & Parts
- Engine Care
- Propellers
- Seating & Pedestals
- Tops & Covers
- Pumps
- Cleaning & Care
- Paint & Paint Acc.
- Hardware, Fasteners
- Trailering
- Misc.

Knot Wheel Brush - Stringer Bead Twist - Carbon Steel Wire



- Stringer bead knot wheel brushes are tightly twisted for low flex, high impact brushing action.
- Designed for root and hot pass weld cleaning in pipe joining applications.
- Also for general use where a narrow face, aggressive brush is desired for controlled, confined surface contact area.
- Diameter 4". Trim length 3/4", face width 3/16".
- Arbor hole/thread size: 5/8-11 thread.
- Wire size: .020.
- Number of knots: 32.
- Maximum RPM: 20,000.

Order No.	Mfg. No. / Description	Price
221147	(82186)	\$29.98 F

Knot Wheel Brush - Full Cable Twist - Carbon Steel Wire



- Full cable twist knotted wire is efficient for weld spatter removal, blending tool marks, cleaning and deburring, and removal of encrustations.
- Used in pipe joining for cleaning scale and spatter following welding.
- Low-flex, high-impact cleaning.
- Diameter 6". Trim length 1-1/4", face width 1/2".
- Thread size: 5/8-11 thread.
- Wire size: .023.
- Number of knots: 30.
- Maximum RPM: 9,000.

Order No.	Mfg. No. / Description	Price
221159	(82478)	\$43.98 F

Knot Cup Brush - Standard Twist - Carbon Steel Wire - Single Row



- For use on large surfaces where a great deal of roughing is required.
- Good for corners and angles, and removal of contaminants such as scale, concrete, slag and marine growth.
- Thread size: 5/8-11 thread.
- Wire size: .020.

Order No.	Mfg. No. / Description	Price
221123	(82523) Diameter 4", Trim Length 1-1/4"	\$46.98 F
221135	(82531) Diameter 6", Trim Length 1-1/2"	\$93.98 F

Knot Cup Brush - Standard Twist - Carbon Steel Wire - Single Row



- For use on large surfaces where a great deal of roughing is required.
- Good for corners and angles, and removal of contaminants such as scale, concrete, slag and marine growth.
- Diameter 2-3/4". Trim length 7/8".
- Thread size: 5/8-11 thread.
- Wire size: .020.
- Maximum RPM: 14,000.

Order No.	Mfg. No. / Description	Price
221111	(82220)	\$30.98 F

Desmond Swirl-Off®



- Removes deposits from virtually any hard surface.
- Versatile, lightweight, portable.
- Stainless steel one piece housing.
- Attaches to most sanders, grinders, drills, polishers.
- Built-in safety guard.
- Operates under water.
- Environmentally safe no chemicals or solvents.
- Fits 5/8" - 11 shaft.
- No lubrication or maintenance required.

Order No.	Mfg. No. / Description	Price
324120	(50400) 4" Swirl-Off Tool with 21 Cutters	\$147.98 F
324118	(50411) Cutters for 4" Swirl-Off Tool (Set of 21)	\$19.98 F
324121	(50600) 6" Swirl-Off Tool with 49 Cutters	\$210.98 F
324119	(50611) Cutters for 6" Swirl-Off Tool (Set of 49)	\$44.98 F

Shoe Handle Wire Brush - Carbon Steel Wire



- Shoe handle.
- Block size 11" L x 1" W.
- Rows of wire: 16 x 4.

Order No.	Mfg. No. / Description	Price
221161	(300)	\$3.98 F

- Fun & Flotation
- Anchor & Dock
- Safety
- Electronics
- Trolling Motors
- Lighting
- Electrical
- Topside Acc.
- Cockpit & Deck
- Instruments
- Steering, Controls
- Perform.
- Fuel System
- Engine & Parts
- Engine Care
- Propellers
- Seating & Pedestals
- Tops & Covers
- Pumps
- Cleaning & Care
- Paint & Paint Acc.
- Hardware, Fasteners
- Trailer
- Misc.

Boss Interlock Lined Smooth Grip Dipped PVC Gloves



- Single-Dipped PVC.
- Interlock lined.
- Smooth grip.
- Length 14".
- Large.
- Black.

Order No.	Mfg. No. / Description	Price
412104	(1SP8714)	\$7.98 Q

Boss Atlas Fit® Crinkled Blue Latex Palm and Knit Wrist



- Blue latex palm dip with crinkled grip.
- Heavy weight polyester/cotton shell.
- Knit wrist.

Order No.	Mfg. No. / Description	Price
412131	(510300) Small	\$3.24 F
412132	(510301) Medium	\$3.24 F
412133	(510302) Large	\$3.24 F
412134	(510303) X Large	\$3.24 F

Boss Poly/Cotton Gloves with Black PVC Dotted Palm



- Black PVC dotted palm, thumb, index and pinkie finger.
- Clute cut design.
- Knit wrist.
- Straight thumb.
- 8 oz. single-ply poly/cotton blend.
- Large.

Order No.	Mfg. No. / Description	Price
412116	(510480)	\$1.14 Q

Boss Brown Jersey Gloves



- Clute cut design.
- Knit wrist.
- Regular weight brown poly/cotton blend.
- Straight thumb.
- Large.

Order No.	Mfg. No. / Description	Price
412128	(1JJ1845 L)	\$3.08 Q

Boss Grain Cowhide Leather Palm Gloves



- Gunn cut design.
- Rubberized safety cuff.
- Shirred elastic back.
- Economy grade grain cowhide leather palm.
- Wing thumb.
- Large.

Order No.	Mfg. No. / Description	Price
303295	(510034)	\$7.98 G

Boss Cowhide Leather Palm Gloves



- Gunn cut design.
- Rubberized safety cuff.
- Shirred elastic back.
- Split cowhide leather palm.
- Wing thumb.
- Large.

Order No.	Mfg. No. / Description	Price
412107	(1JL9920)	\$5.98 Q

Boss Double Split Leather Palm Gloves



- Double split cowhide leather palm.
- Gunn cuty design.
- Rubberized safety cuff.
- Shirred elastic back.
- Wing thumb.
- X Large.

Order No.	Mfg. No. / Description	Price
412112	(1JL2391)	\$5.98 Q

- Fun & Flotation
- Anchor & Dock
- Safety
- Electronics
- Trolling Motors
- Lighting
- Electrical
- Topside Acc.
- Cockpit & Deck
- Instruments
- Steering, Controls
- Perform.
- Fuel System
- Engine & Parts
- Engine Care
- Propellers
- Seating & Pedestals
- Tops & Covers
- Pumps
- Cleaning & Care
- Paint & Paint Acc.
- Hardware, Fasteners
- Trailering
- Misc.

Texas Pneumatic Needle Scaler



- The model TX-1B needle scaler is a convertible tool used as a chisel scaler or a needle scaler depending on the application. Needle scaler can be easily converted to a chisel scaler by replacing needle attachment with chisel.
- Needle scalers adjust to any surface contour automatically.
- Tool applications:
 - De-rusting and cleaning of metals.
 - Peening of welded joints.
 - Cleaning castings.
 - Cleaning welding slag.
 - Removing barnacles.
 - Removing paint, rust and dirt.
 - Chipping stone, concrete and brick.

Order No.	Mfg. No. / Description	Price
645816	(TX1BLTNS)	\$328.98 F

Texas Pneumatic Needle Scaler Replacement Parts

Order No.	Mfg. No. / Description	Price
645828	(TX-00024) 7" x .125 Scaler Needle, 19 Required	\$1.26 F
645830	(TX-00044) Needle Spring	\$4.57 B
645834	(TX-00049) 7" Flat Chisel, 1-3/8" Wide	\$15.98 F
645842	(TX-00078) Throttle Valve Spring	\$2.23 B

Aurand K-Series Electric Deck Crawler



- A small lightweight (9 lbs.) tool suitable for handwork.
- Clearing area: 5" wide.
- Removal rate: 50-75 sq. ft. per hour.
- 1/4 HP.
- 115 V.

Order No.	Mfg. No. / Description	Price
243319	(K7-1)	\$727.98 B
243369	(674) Spare Cutters, Set of 2	\$66.98 B

Aurand M-Series Deck Crawler



- A larger tool suitable for heavy duty or floor work.
- Clearing area: 8" wide.
- Removal rate: 70-100 sq. ft. per hour.
- 1/2 HP.
- 115 V.

Order No.	Mfg. No. / Description	Price
243333	(M5-1)	\$1,008.98 B
243357	(90M) Spare Cutter, Set of 2	\$132.98 B

Texas Pneumatic Needle Scaler Repair Kit

- Kit includes:
 - 3 (TX-00044) Needle Spring
 - 1 (TX-00045) Needle Driver
 - 1 (TX-00046) Needle Holder (19 Needles)
 - 1 (TX-00078) Throttle Valve Spring
 - 2 (TX-00126) Valve Block Dowel Pin (2 Per Tool)
 - 2 (TX-00196) Flutter Valve
 - 1 (TX-00207) Throttle Valve Cap
 - 1 (TX-00373) Plunger
 - 2 (TX-00519) 5" x .125 Needle Set (19)
 - 3 (TX-00527) Retainer Buffer
 - 3 (TX-00554) Retainer Clip
 - 1 (TX-00636) Throttle Valve Cap Gasket
 - 1 (TX-00782) Throttle Valve with O-ring
 - 1 (TX-00848) Throttle Lever Pin
 - 1 (TX-00956) Retainer

Order No.	Mfg. No. / Description	Price
645818	(TX1BNSRK)	\$140.98 B

Binks Washdown Gun



- Drop-forged, brass, nickel plated.
- Used to spray solvents that clean engines and other machinery, the Model 140B features 10" nozzle/tube length that has flexible tubing with a hose clamp for siphoning solvent from container.
- It requires 14 CFM air at 50 PSI.
- Air inlet: 1/4" NPS.

Order No.	Mfg. No. / Description	Price
527196	(140B)	\$235.98 C

- Fun & Flotation
- Anchor & Dock
- Safety
- Electronics
- Trolling Motors
- Lighting
- Electrical
- Topside Acc.
- Cockpit & Deck
- Instruments
- Steering, Controls
- Perform.
- Fuel System
- Engine & Parts
- Engine Care
- Propellers
- Seating & Pedestals
- Tops & Covers
- Pumps
- Cleaning & Care
- Paint & Paint Acc.
- Hardware, Fasteners
- Trailer
- Misc.
- Comm.

Henek Liquid Coalescers

- Henek's HC Series is constructed of high grade aluminum and includes a corrosion resistant aluminum epoxy screen.
- Inner and outer layers are made of rayon fibers impregnated with phenolic resin.
- Set between these layers is the coalescing layer (borosilicate microglass).
- Efficiencies range from 93% to 99.9999% at the 0.3 micron range.
- The pre-filter can be constructed with microns from 1 to 75.



Order No.	Mfg. No. / Description	Price
341590	(HC-3520-D)	\$50.98 D

Henek Water Removal Filter

- Henek's PW Series are designed for removal of water and particulates from petroleum products.
- Henek's water absorbing elements absorb water from petroleum and chemically lock it in.
- When a cartridge starts reaching its holding load it begins to swell and cause an increase in the differential pressure which signals the operator to change the cartridge.
- Ideal for use in lubricating oil, hydraulic oil and fuel systems.
- They can be used in portable fluid conditioning equipment.



Order No.	Mfg. No. / Description	Price
341594	(PW-718-5)	\$59.98 D

Snee Chemical Oil Mats



Order No.	Mfg. No. / Description	Price
438035	(MAT 023B) 130BU, 2/3	\$18.98 B
438045	(MAT 035B) 130BU, 3/5	\$43.98 B

Snee Chemical Environmental Bags



Order No.	Mfg. No. / Description	Price
551315	(LSP3648) Yellow	\$109.98 B

Michigan Tru-Pitch™ Commercial Propeller



- This style is the finest and best known of all-purpose propellers.
- Efficiency and smoothness is assured by Federal's exclusive Tru-Pitch process.
- This style incorporates semielliptical shape, constant pitch and ogival blade sections in the design... a result of years of experience.
- Available in Federal-B and Nibral alloys, left and right hand rotation, in 8" to 96" diameters.
- Stainless Steel available 8" to 40" diameters.
- H-D Heavy Duty, is similar in design to T-P, but its considerably heavier blade edges are engineered to meet more severe conditions.
- Heavy, round edges resist abrasion and blade fracture.
- Durable... extremely rugged. In the same metals and sizes as T-P.
- Three-blade only – right or left hand.

Michigan Equi Series Commercial Propeller



- The Federal Equi-Poise three blade and Equi-Quad four blade propeller series are for applications that benefit from traditional propeller geometry held to a close tolerance.
- The proven performance of these designs is enhanced through strict manufacturing controls.
- Those controls result in closely matched sets that are a step above standard line series propellers.
- By utilizing a traditional design, Federal can supply a vast range of sizes, at good value, with a minimal lead time

Michigan Dyna-Quad Commercial Propellers - Bronze



Order No.	Dia. x Pitch	Blade	Rotation	Bore	Price
343513	18" x 24"	4	Left	2"	\$611.98 LQ
343525	18" x 24"	4	Right	2"	\$611.98 LQ

Michigan Commercial Propellers - Bronze

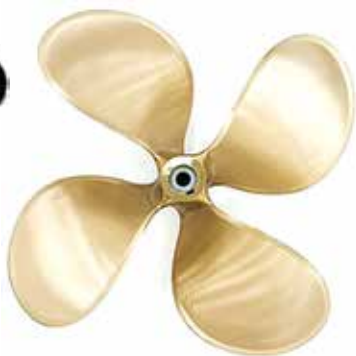
Order No.	Mfg. No.	Dia. x Pitch	Blade	Rotation	Bore	Price
344010	28X28MP	28" x 28"	3	Right	2-1/4"	\$2,573.98 F
344034	28X28MP	28" x 28"	3	Left	2-1/4"	\$2,573.98 F
344022	28X29RH-PT	28" x 29"	4	Right	2"	\$2,278.98 LQ
344058	28X30MP	28" x 30"	3	Left	2-1/4"	\$2,573.98 F
344046	28X30MP	28" x 30"	3	Right	2-1/4"	\$2,573.98 F

Michigan Commercial Propeller - Nibral

Order No.	Mfg. No.	Dia. x Pitch	Blade	Rotation	Bore	Price
343307	490646	18" x 14"	2	-	1-1/2"	\$793.98 LQ

- Fun & Flotation
- Anchor & Dock
- Safety
- Electronics
- Trolling Motors
- Lighting
- Electrical
- Topside Acc.
- Cockpit & Deck
- Instruments
- Steering, Controls
- Perform.
- Fuel System
- Engine & Parts
- Engine Care
- Propellers
- Seating & Pedestals
- Tops & Covers
- Pumps
- Cleaning & Care
- Paint & Paint Acc.
- Hardware, Fasteners
- Trailer
- Misc.

Hawboldt Industries Hi-Trail: 4 Blade Propellers



- Used for both pleasure and commercial vessels, combining blade area, moderate skew and blade thickness distribution.
- This design has produced a smooth, quiet propeller that is one of the most popular models today.
- The propellers are finished to Hawboldt standard thickness with anti-singing edge or to customer's special requests.
- Diameters available up to 44 inches in 3, 4 and 5 blade.

BRONZE

Order No.	Di. x Pitch			Price
394807	36" x 36"	Right Hand	3" Bore	\$5,538.98 LQ
394813	36" x 36"	Left Hand	3-1/2" Bore	\$5,538.98 LQ
394825	36" x 36"	Right Hand	3-1/2" Bore	\$5,538.98 LQ
394863	39" x 39"	Right Hand	3-1/2" Bore	\$6,544.98 LQ
394875	40" x 34"	Left Hand	3-1/2" Bore	\$6,544.98 LQ
394887	40" x 34"	Right Hand	3-1/2" Bore	\$6,544.98 LQ
394899	42" x 36"	Left Hand	3-1/2" Bore	\$7,634.98 LQ
394902	42" x 36"	Right Hand	3-1/2" Bore	\$7,634.98 LQ
394914	44" x 40"	Left Hand	3-1/2" Bore	\$8,044.98 LQ
394926	44" x 40"	Right Hand	3-1/2" Bore	\$8,044.98 LQ
394938	44" x 42"	Left Hand	3-1/2" Bore	\$8,044.98 LQ
394940	44" x 42"	Right Hand	3-1/2" Bore	\$8,044.98 LQ

NIBRAL

Order No.	Di. x Pitch			Price
394828	36" x 36"	Left Hand	3-1/2" Bore	\$6,680.98 LQ

Western Branch Metals Bronze Propeller Hex Nuts - Full Nuts



Order No.	Description	Price
685810	Shaft Size: 3/4"	\$13.98 C
685834	Shaft Size: 7/8"	\$23.98 C
685858	Shaft Size: 1"	\$21.98 LQ
685872	Shaft Size: 1-1/8" Thread Diameter: 3/4" x 10	\$44.98 C
685885	Shaft Size: 1-3/4" Thread Diameter: 1-1/4" x 7	\$53.98 C
685887	Shaft Size: 2" Thread Diameter: 1-1/2" x 6	\$68.98 C



- 24-hour "step and fetch" Amelia, LA operation.
- The latest repair equipment, the best skilled workers and workmanship.
- All wheel sizes up to 110-inches.

Prop Shop • Amelia, LA • 985-631-9411

SPECIAL HANDLING MAY APPLY



ZF Marine Commercial Propellers

Order No.	Di. x Pitch				Price
394665	28" x 30"	3 Blade	2.25" Bore	KW	\$1,588.98 LQ
394666	28" x 30"	3 Blade	2.25" Bore	KW	\$1,588.98 LQ
394558	18" x 23.5"	4 Blade	1.5" Bore	Right Hand	\$975.98 LQ
394572	20" x 23.5"	4 Blade	1.75" Bore	Right Hand	\$1,311.98 LQ
394661	28" x 30"	4 Blade	2.5" Bore	Left Hand	\$1,555.98 LQ
394697	31" x 34.5"	5 Blade	2.5" Bore	Left Hand	\$5,654.98 LQ
394700	31" x 34.5"	5 Blade	2.5" Bore	Right Hand	\$5,654.98 LQ
394705	40" x 36"	4 Blade	3.5" Bore	Right Hand	\$4,875.98 D
394706	40" x 36"	4 Blade	3.5" Bore	Left Hand	\$4,875.98 D

Anchor Supply Propeller Bore Reducer Bushings



- Tough nylon bushing with brass stepdown key quickly and easily reduce propeller bore to fit smaller diameter shafts.
- All tapers are SAE Marine Standard.

Order No.	Description	Price
222656	1-1/8" to 1"	\$30.98 F
222668	1-1/4" to 1"	\$30.98 F
222670	1-1/4" to 1-1/8"	\$31.98 F
222682	1-3/8" to 1-1/4"	\$32.98 F
222694	1-1/2" to 1-1/4"	\$37.98 F
222707	1-1/2" to 1-3/8"	\$37.98 F
222719	1-3/4" to 1-1/2"	\$57.98 F
222721	2" to 1-1/2"	\$60.98 F
222733	2" to 1-3/4"	\$60.98 F
222740	2-1/4" to 2"	\$89.98 F
222745	2-1/2" to 2"	\$91.98 F
222757	2-1/2" to 2-1/4"	\$92.98 F

Western Branch Metals Bronze Propeller Hex Nuts - Jam Nuts



Order No.	Description	Price
685860	Shaft Size: 1" Thread Diameter: 3/4" - 10	\$15.98 LQ
685886	Shaft Size: 1-3/4" Thread Diameter: 1-1/4" x 7	\$38.98 C
685888	Shaft Size: 2" Thread Diameter: 1-1/2" x 6	\$45.98 C

Propeller Keys

Order No.	Description	Price
685890	1/4" x 2"	\$2.10 E
685891	5/16" x 2-1/2"	\$3.17 E
685892	3/8" x 3-1/4"	\$4.97 E
685893	1/2" x 6"	\$14.98 E
685894	5/8" x 6"	\$21.98 E
685895	9/16" x 6"	\$17.98 E

- Fun & Flotation
- Anchor & Dock
- Safety
- Electronics
- Trolling Motors
- Lighting
- Electrical
- Topside Acc.
- Cockpit & Deck
- Instruments
- Steering, Controls
- Perform.
- Fuel System
- Engine & Parts
- Engine Care
- Propellers
- Seating & Pedestals
- Tops & Covers
- Pumps
- Cleaning & Care
- Paint & Paint Acc.
- Hardware, Fasteners
- Trailer
- Misc.
- Comm.

Armacell, LLC

Order No.	Mfg. No. / Description	Price
003169	(NHT05812) NHPC 1/2-3/8 IPS x 72L	\$2.12 LQ

BFG Marine Mfg

Order No.	Mfg. No. / Description	Price
279345	(VCW3064) Handwheel, ST, 6" x 3/4 Square	\$133.98 LQ

Cen-Tex Marine Fabr. Inc

Order No.	Mfg. No. / Description	Price
577948		Price on Request

DBC Marine Safety Systems

Order No.	Mfg. No. / Description	Price
308010	(1007965) Red Cap F/ID Tube	\$10.98 B
458643	(16X3)	\$3,777.98 LQ

Pinnacle Marine Services

Order No.	Mfg. No. / Description	Price
455487	(403A856) 12 volt Globe Motor Asembly	\$260.98 B

Tecnimpianti Spa

Order No.	Mfg. No. / Description	Price
645725	(KEY) Key F/Fiberglass Enc Box	\$46.98 LQ
645757	(TD422-01Y) Limit Switch (Old Style)	\$564.98 LQ

Gauge Glass Washer

Order No.	Mfg. No. / Description	Price
380206	(5/8" WASHER) Gauge Glass Washer	\$3.98 F

Barge Gaskets

Order No.	Mfg. No. / Description	Price
542095	(6") 6"	\$5.98 F
542097	(8") 8"	\$6.98 F

Gyro Chemical & Equipment Co

Order No.	Mfg. No. / Description	Price
517215	(BIOC-5) Biocide Pail (5 Gallon)	Price on Request

CRC Chemicals

Order No.	Mfg. No. / Description	Price
216653	(MK4600) Super ABS Detail Cloth	\$12.98 LQ

Frank W. Murphy

Order No.	Mfg. No. / Description	Price
772299	(10702016) Temperature Sender - ESDT-250/300-1/2	\$40.98 H
772400	(65010061) Diode Package	\$21.98 H
772649	(15000238) Pipe Bracket Kit for LR857 Level Regulator	\$56.98 H
772654	(05703163)	\$51.98 LQ

Gauge Stick

Order No.	Mfg. No. / Description	Price
573231	(BG0141) 14" Gauge Stick	\$31.98 F

ME Industries LLC

Order No.	Mfg. No. / Description	Price
004945	(MIL-I-742TY1) INSL BLKT 1"X2'X3' BX/20	\$224.98 LQ
004957	(MIL-I-742TY1) INSL BLKT 2"X2'X3' BX/10	\$167.98 LQ

Commercial Close Out Specials

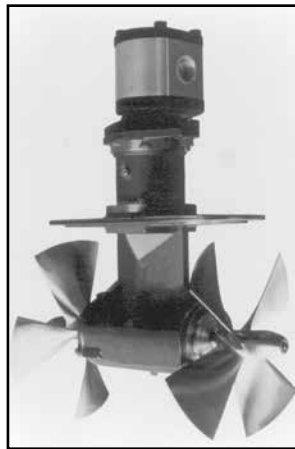
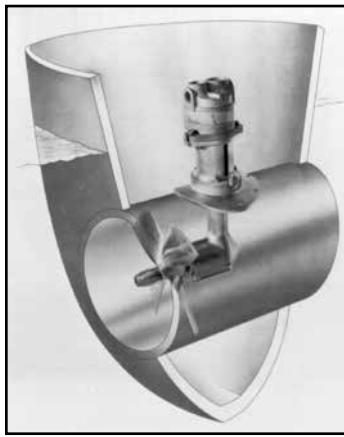
Order No.	Part #	Description	Quantity	Price
428121	DB440	10" - BLK "D" BORE FAN NOSE	2	\$603.98 LQ
428133	DB440	12" - BLK "D" BORE FAN NOSE	2	\$724.98 LQ
427840	1790M0278	2-7/8" STUFF BOX,F,BRASS	6	\$450.00 LQ
300885	DDF186MOT	BLOWER 18",6BL,1HP TEFC	3	\$377.98 LQ
203151	15601	120VAC WHISTLE CONT,AUTO CNSLE	2	\$1,149.98 LQ
279375	DWG305	Single Bolt Manhole with Fold Down Handle, 20" Round	1	\$582.98 LQ
279377	DWG211	Watertight Flush Hatch, Oval, 26" x 26"	1	\$2,156.98 LQ
577860	DWG102RH	Watertight Door, 26" x 63", 6 Dog	1	\$1,365.98 LQ
279313	F654-1	D-Ring, 41 Ton	1	\$37.98 C
506367	SS304-11	Wire Mesh, Uncrimped, .011"	1	\$7.98 B
662595	CEDAR	Cedar Shingles, Bundle	1	\$62.98 F
309766		Button Chocks, 8.5", DF129	1	\$91.98 LQ
310252	04200-301A	Double Bitt, 8" with Horn	1	\$498.98 LQ
428086	DB-408	400 Series Commercial Bumper - Black, Base Width 6-1/2"	1	\$25.60 A
327718	R250RT	30 x 78, Co Alum.	1	\$3,050.00 LQ
080306	CAROLINA	PN CC-86307 D15	1	\$308.98 LQ
528212	WVVP20M	20T Manual Hand Winch, Rt.	1	\$6,200.00 B

All New • All Items Subject to Prior Sale • Price on Request

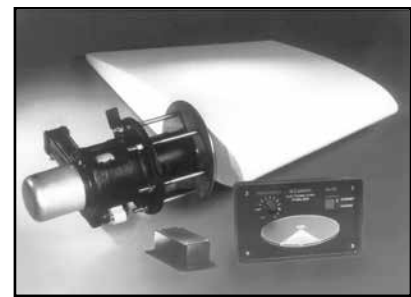
Fun & Flotation
Anchor & Dock
Safety
Electronics
Trolling Motors
Lighting
Electrical
Topside Acc.
Cockpit & Deck
Instruments
Steering, Controls
Perform.
Fuel System
Engine & Parts
Engine Care
Propellers
Seating & Pedestals
Tops & Covers
Pumps
Cleaning & Care
Paint & Paint Acc.
Hardware, Fasteners
Trailerling
Misc.

Comm.

Wesmar Bow Thrusters



Wesmar Stabilizers



Special Order

ELECTRONIC GYRO DELIVERS

LIGHTING SPEED REACTION FOR EXCEPTIONAL PERFORMANCE.

- The Wesmar stabilization system uses an easily mounted electronic gyro sensor that sends information about roll velocity and acceleration directly to Wesmar's proportional hydraulic system, which reacts instantaneously to rotate the fins.
- When a desired lift is achieved to counteract the rolling force of a wave, Wesmar's closed proportional hydraulic system instantly interacts with the gyro to correct the rolling.
- The airfoil fin design constantly adjusts vessel motion.
- One fin is angled to induce upward force while the other creates downward force.
- This coordinated response stabilizes the vessel.

ADVANTAGES:

Of the Wesmar Electronic Gyro System Over a Hydraulic Gyro:

- No hydraulic hoses to the gyro compared to as many as 6 additional hoses on competitive hydraulic gyros.
- No Moving Parts.
- No Adjustments.
- No Maintenance.
- No Service.
- No Horizon Adjustment.
- Easy to Install.
- No Haul-Our Required.

- Fun & Flotation
- Anchor & Dock
- Safety
- Electronics
- Trolling Motors
- Lighting
- Electrical
- Topside Acc.
- Cockpit & Deck
- Instruments
- Steering, Controls
- Perform.
- Fuel System
- Engine & Parts
- Engine Care
- Propellers
- Seating & Pedestals
- Tops & Covers
- Pumps
- Cleaning & Care
- Paint & Paint Acc.
- Hardware, Fasteners
- Trailer
- Misc.

Special Order

SINGLE PROP/DUAL PROP COUNTER ROTATING.

WESMAR PERFORMANCE - TURN 360 DEGREES IN PLACE.

- Wesmar Bow Thrusters make close quarters maneuvering a simple task.
- You can turn you boat a full 360 degrees in its own length, control the hazards of crowded harbors, tight docking slips, and extreme weather knowing your Wesmar bow thrusters will allow you to maneuver skillfully and quickly, avoiding damaged hulls, mangled ladders, and crumpled docks.

28 THRUSTER MODELS.

- Hydraulic and Electric Models.
- Double Thrust Counter Rotating.
- Single Prop.
- For Pleasure Boat Applications.
- For Commercial Applications.
- For Boats 38 to 200 feet.

Wesmar Stainless Steel Dual Prop Thrusters

Order No.	Mfg. No. / Description	Price
685618	(V2-20NS) 20"	\$22,216.98 B
685620	(V2-24) 24"	Price on Request

Wesmar Commercial Bow Thrusters

Order No.	Mfg. No. / Description	Price
685630	(20" KAPLANRH) 20" Right Hand	\$2,979.98 B
685635	(20" KAPLAN LH) 20" Left Hand	\$2,979.98 B

Wesmar Specification Sheet

Bow Thruster _____ Stern Thruster _____ Stabilizer _____ Hydraulics _____

Date _____

Name _____ Boat Name _____

Address _____ State _____

Phone _____ Fax _____

Email _____

Builder _____ Contact _____ Phone _____

Vessel Type _____ Hull No. _____

Length _____ Beam _____ Draft _____

Weight _____ GM (Metecentric height) _____

Weight Short Tons _____ Beam at Water Line _____

Full Speed (knots) _____ Cruise Speed _____

Slowest speed in knots at which full stabilization is required: _____

Main Engine Manufacture (s) _____ Model _____

Single engine _____ Twin engine _____ Other _____

Idle Speed _____ Full Speed _____ HP _____

Genset Manufacture _____ KW _____ RPM _____

Transmission Manufacture _____ Model _____

#of control stations _____ Location _____

Thruster Drive: 12V DC _____ 24V DC _____ AC _____ Hydraulic _____ Other _____

Hydraulic System Information:

Hydraulic: Crane _____ Capstan _____ Windlass _____ Other _____

Hydraulic Motor Mounting location (s) _____

Mounting flange: 2 Bolt _____ 4 Bolt _____ SAE Flange Code _____

Shaft type: Keyed _____ Splined _____ SAE Shaft Code _____

Rotation: Clockwise _____ Counter Clockwise _____

Electric clutch: Yes _____ No _____

AC System Information:

Single Phase _____ Three Phase _____

Genset capacity _____

AC Motor voltage _____

Number of control stations _____

- Fun & Flotation
- Anchor & Dock
- Safety
- Electronics
- Trolling Motors
- Lighting
- Electrical
- Topside Acc.
- Cockpit & Deck
- Instruments
- Steering, Controls
- Perform.
- Fuel System
- Engine & Parts
- Engine Care
- Propellers
- Seating & Pedestals
- Tops & Covers
- Pumps
- Cleaning & Care
- Paint & Paint Acc.
- Hardware, Fasteners
- Trailering
- Misc.



- STEERING SYSTEMS
- MANUAL STEERING
- HYDRAULIC POWERPAKS
- ENGINE ALARM SYSTEMS
- CUSTOM DESIGNS
- COMPONENT SALES
- FIELD SERVICE
- ENGINE CONTROL SYSTEMS
- BOWTHRUSTERS
- ANCHOR WINDLASSES
- CAPSTANS
- CONVERSIONS - RETROFITS



- Fun & Flotation
- Anchor & Dock
- Safety
- Electronics
- Trolling Motors
- Lighting
- Electrical
- Topside Acc.
- Cockpit & Deck
- Instruments
- Steering, Controls
- Perform.
- Fuel System
- Engine & Parts
- Engine Care
- Propellers
- Seating & Pedestals
- Tops & Covers
- Pumps
- Cleaning & Care
- Paint & Paint Acc.
- Hardware, Fasteners
- Trailer
- Misc.

Custom Commercial Hydraulic Steering

DESIGN • ENGINEERED • INSTALLATION • MAINTENANCE

Skipper has long been a major supplier of quality electro-hydraulic steering systems. In its entirety, a complete steering system is made up of:

- **Hydraulic Power Unit (HPU):** Consists of electric motor driven pumping units, a divided reservoir with tank accessories, directional control valves, system motion control relief and check valves, gauges and suction and return line filtration.
- **Controls:** Follow up controls, non follow up controls, rudder angle indicator systems. All easily adaptable to the style of any type vessel.
- **Electrical:** Wheel house logic control panel, integrated alarms, engine room and engineers station ancillary equipment, magnetic starters and system junction boxes.
- **Cylinders:** Hydraulic cylinders and all mounting and installation accessories.
- **Installation Items:** Hoses and adapters, isolation ball valves, dual crossport relief valves.
- **Technical Instruction:** Piping schematic, electrical wiring one-line diagram, recommended cylinder/tiller arm arrangement.

Here in this brochure, in addition to assimilating the information required for your system, we have tried to pinpoint the individual components involved in steering systems, to appeal to and assist our customers in the repair and maintenance of their existing systems.

Skipper Triplex Superredundant Two Speed Steering System

Specially designed for the M/V Big J.O., Skipper incorporated the performance features large riverboats require.

Superredundant Controls • Two Speed Dual Counterbalance • Unloading

Smooth Rudder Response - Try two speeds for slower, smaller rudder commands and stopping point deceleration. Add dual counterbalance valves for pinpoint, measured rudder response. Incorporate an unloading system to automatically impart supercharged rudder power in crucial operating conditions.

Why Superredundant Controls?

- Two of everything: Inputs, Amplifiers and Feedbacks.
- Greater dependability, reliability and system independence.
- Added protection against emergency breakdowns.

Why Two Speed?

- Two speed control is automatic in follow up mode, keyed by the degree of rudder input signal and the end of rudder travel; also semi-automatic in NFU mode.
- Reduce shock of high volume on small rudder movements.
- Enhances system cooling.

Why Dual Counterbalance?

- Reduces mechanical wear and tear of cylinder to rudder tiller linkage.
- Smooths rudder movement in all conditions, diminishing valve shift sensations.
- Minimizes bounce at stroke's end, and eliminates electronic hunting due to slow valve cut-off.
- Negates normal valve leakage.

Why the Unloader?

- Protects horsepower load draw limits.
- Automatically maximizes power when needed.



- Fun & Flotation
- Anchor & Dock
- Safety
- Electronics
- Trolling Motors
- Lighting
- Electrical
- Topside Acc.
- Cockpit & Deck
- Instruments
- Steering, Controls
- Perform.
- Fuel System
- Engine & Parts
- Engine Care
- Propellers
- Seating & Pedestals
- Tops & Covers
- Pumps
- Cleaning & Care
- Paint & Paint Acc.
- Hardware, Fasteners
- Trailer
- Misc.

Electro-Hydraulic Power Unit

- C-Face electric motors for easy alignment and convenient service access.
- Quiet, efficient Vickers vane pumps.
- Soft shift directional valves - featuring new, longer life "Wet Armature" solenoids.
- Fabricated steel reservoir, baffled for system integrity, sized for maximum fluid cooling.
- Easy access reservoir service covers.
- Low level alarm sensors.



Engine Alarm and Monitoring Systems

- Programmable logic control (PLC) based.
- "Fair-Safe" normal closed circuits (AS standard)
- Charger and battery back-up power supply, 24V DC.
- Flush mount or enclosed fully annunciated panels.
- Full remote and summary panels.
- Murphy Switchgag, Telcor, Nason and Fenwall brand sensors.
- High quality engine room sirens and strobe and lights.
- Pre-wired system junction boxes.



Mechanical/Hydraulic Control Valve Assembly



- Ideal for pushboats.
- Full follow up control - low maintenance, long life.
- Back pressure rated hydraulic directional control valve, to enable in-series steering and flanking - no "power beyond" required
- Smooth, easy metering characteristics.

Workboat Style Wheelhouse Hardware



- Dual stacked steering levers: 12"L, 18"L & 24"L
- Compatible with mechanical or electro-hydraulic steering systems.
- Appealing appearance, durable stainless construction with comfortable mahogany grips.
- Black, anodized aluminum dural escutcheon plates with integral roller bearings

Rudder Angle Indicator



- Suitable for console mounting: completely watertight.
- Furnished with supply voltage regulator and Skipper power supply.
- Offers easy series parallel hook-up for multiple stations.

Feedback Unit



- Heavy duty marine construction, watertight for above deck mounting.
- Dual potentiometers for integral back-up or multiple function capability.
- Dual limit switches for independent system integrity

Hydraulic Steering Cylinders



- Stainless steel chrome plated piston rods for long, corrosion resistant service.
- Skipper's unique 'Sure-Lock' rodeye, clamps to cylinder rod and features corrosion resistant bronze pin bushings.
- Skipper unique locking heel pin-fabricated from marine grade stainless steel.

Amplifier



- Adjustable gain control - eliminates hunting, affords maximum sensitivity.
- All solid state construction.
- Integral AC-DC voltage rectifier.

Skipper Control Panel



- Fully illuminated, suitable for console mounting.
- Mechanically switched and mode selectors.
- Low level, overload and power failure alarms-all audio-visual.
- Pre-wired terminal strip for easy installation and service.

Vertical Capstans



- Custom designed for use with various hydraulic systems.
- Profiled aluminum cathead with direct, plug-in hydraulic motor.
- Aluminum deck mounting flg.

Bowthrusters



- Full line Wesmar distributor.
- Wesmar's unique dual, counter rotating 4 blade props.
- Available with customized hydrostatic or Baldor frequency and vector drives - for all brands of bowthrusters, and all available with DP interface.

- Fun & Flotation
- Anchor & Dock
- Safety
- Electronics
- Trolling Motors
- Lighting
- Electrical
- Topside Acc.
- Cockpit & Deck
- Instruments
- Steering, Controls
- Perform.
- Fuel System
- Engine & Parts
- Engine Care
- Propellers
- Seating & Pedestals
- Tops & Covers
- Pumps
- Cleaning & Care
- Paint & Paint Acc.
- Hardware, Fasteners
- Trailing
- Misc.
- Comm.

Introducing our newest Dual Pro Chargers...

RealPRO 1,2 & 3

Pro Charging Systems is excited to announce the next evolution of our Recreation Series chargers **RealPRO.**

RealPRO's sophisticated design and technology deliver exceptional performance and reliability, at an affordable price.

- FASTEST CHARGE in category
- Automatically charges both Wet Cell and AGM batteries
- HIGHEST return rate in category



Shown here: Two 6 Amp Banks - Model RS2
 Also available in one and three bank models

Real PERFORMANCE Real RELIABILITY Real VALUE

Don't forget our full line of Professional and Sportsman Series chargers with their DeltaVolt® charging technology and the DeltaView® data collection capability.



Professional Series Tri Pro
 Also available: one, two and four bank models



Sportsman Series Dual Pro
 Also available in one, three and four bank models



Watch for a major mid-year product announcement—
 another Dual Pro Industry First !!!

Introducing

SONAR

SIERRA ONLINE APPLICATION RESOURCE



FINDING THE RIGHT PART HAS NEVER BEEN EASIER

A Single Online Source For Up-To-Date Product Information

Search by Sierra or OEM part number or Engine Model No.

Includes Images & Exploded Views



Visit Us At:

<http://catalog.seastarsolutions.com>

LENCO **ELECTRIC** TRIM TABS ARE THE BEST IN THE MARINE INDUSTRY...& HERE'S WHY!



- ▶ Lenco is the #1 industry choice for trim tabs around the world!
- ▶ Lenco has been perfecting electric actuators since 1986.
- ▶ Lenco has hand-built over 1 million actuators right here in the United States. 
- ▶ Lenco supplies more than 300 OEM boat builders around the world.
- ▶ Lenco's Customer Service is unmatched in the marine industry.
- ▶ Our actuators have undergone extensive design and testing to insure we continue to meet the ever-changing demands of the marine industry.

"Our dependable customer service and our instant response feature are why Lenco Trim Tabs have become the number one choice for boaters around the world."

Richard DeVito

Richard DeVito
President & Owner
Lenco Marine Inc.



See the Lenco Marine section of the Donovan catalog on pages



▶ **WE MAKE THE BEST BOATS BETTER!**

For more information on these or any of our Lenco products and accessories visit us at lencomarine.com

